



US00D793857S

(12) **United States Design Patent**
Rice et al.

(10) **Patent No.:** **US D793,857 S**

(45) **Date of Patent:** **** Aug. 8, 2017**

(54) **FOOD CONTAINER**

(71) Applicant: **General Mills, Inc.**, Minneapolis, MN (US)

(72) Inventors: **Brian Rice**, Mound, MN (US); **John Sierra**, Bogota (CO)

(73) Assignee: **General Mills, Inc.**, Minneapolis, MN (US)

(**) Term: **15 Years**

(21) Appl. No.: **29/558,576**

(22) Filed: **Mar. 18, 2016**

(51) **LOC (10) Cl.** **09-03**

(52) **U.S. Cl.**

USPC **D9/425**

(58) **Field of Classification Search**

USPC D7/396.1, 538-545, 602, 608, 629;
D9/414, 420, 424-429, 432, 761;
206/499, 508, 557; 220/23.4, 23.6, 315,
220/500, 659, 669, 674, 675, 696, 752,
220/760, 790, 793; 229/105, 117.09,
229/117.26, 189, 406, 407, 902, 905
CPC ... B65D 1/26; B65D 1/34; B65D 1/36; B65D
1/40; B65D 1/0223; B65D 25/04; B65D
43/0212; B65D 79/005; B65D 81/34;
B65D 81/3453; B65D 2543/00027; B65D
2543/00648; B65D 2581/34; B65D
2581/3404; B65D 2581/3456

See application file for complete search history.

(56) **References Cited**

U.S. PATENT DOCUMENTS

D280,966 S * 10/1985 Prophet, Jr. D7/614
D333,196 S * 2/1993 Dziarsk D34/1
D335,728 S * 5/1993 Dziarsk D34/1
D424,378 S * 5/2000 Bacon D7/602
D446,684 S * 8/2001 Price D7/509
D518,685 S * 4/2006 Aalberts D7/590
D586,622 S * 2/2009 Silvers D7/509

(Continued)

FOREIGN PATENT DOCUMENTS

JP 352783 10/1947
JP 704219 5/1987

(Continued)

OTHER PUBLICATIONS

Mountain View Medical Supply Graduated Triangular Container, announced Dec. 2010, [online], site visited Jan. 8, 2017. Available from Internet, <URL: <http://www.mvmsinc.com>>.*

Primary Examiner — Ian Simmons

Assistant Examiner — Janice Lim

(74) *Attorney, Agent, or Firm* — Diederiks & Whitelaw, PLC; Annette M. Frawley, Esq.

(57) **CLAIM**

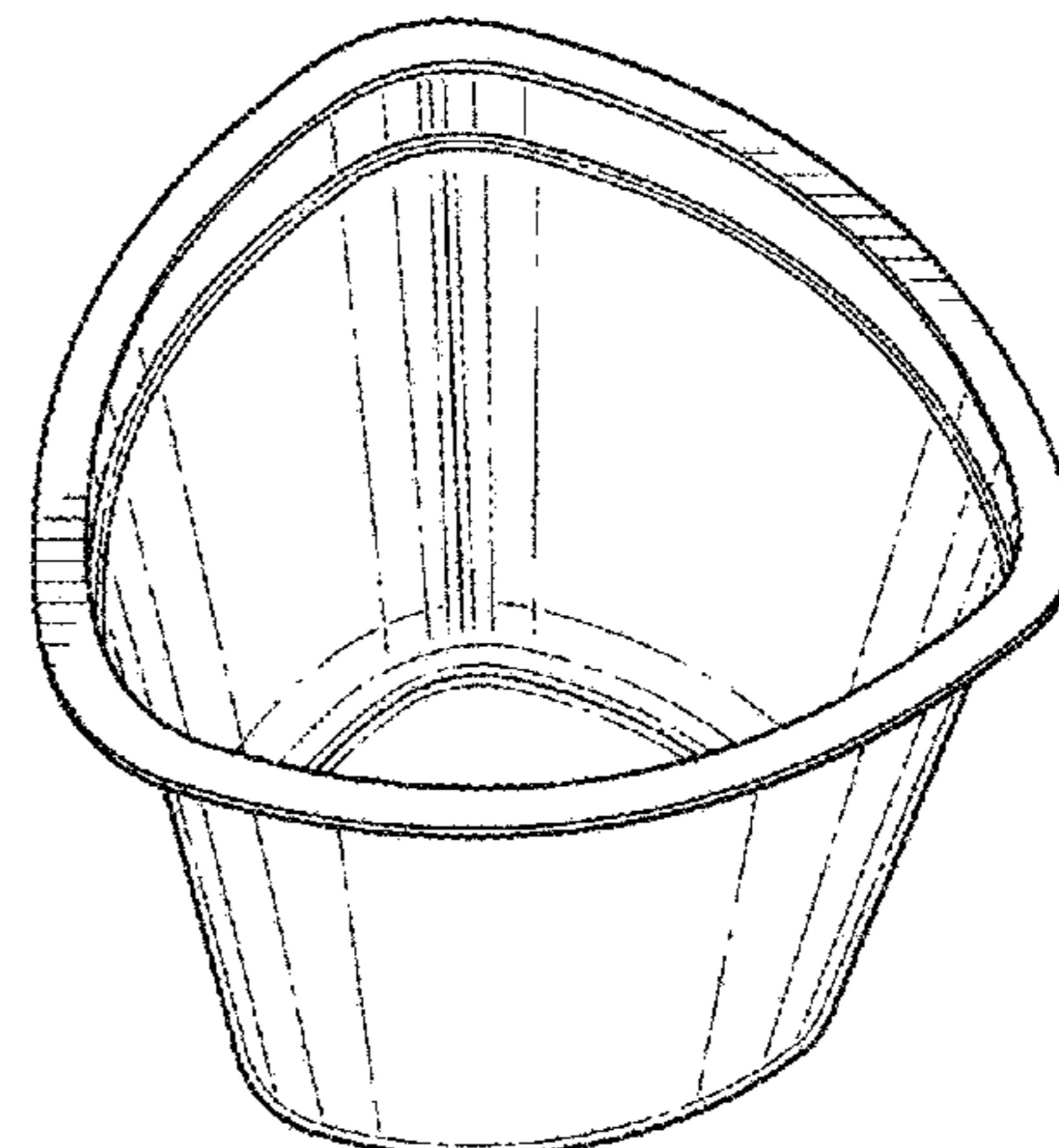
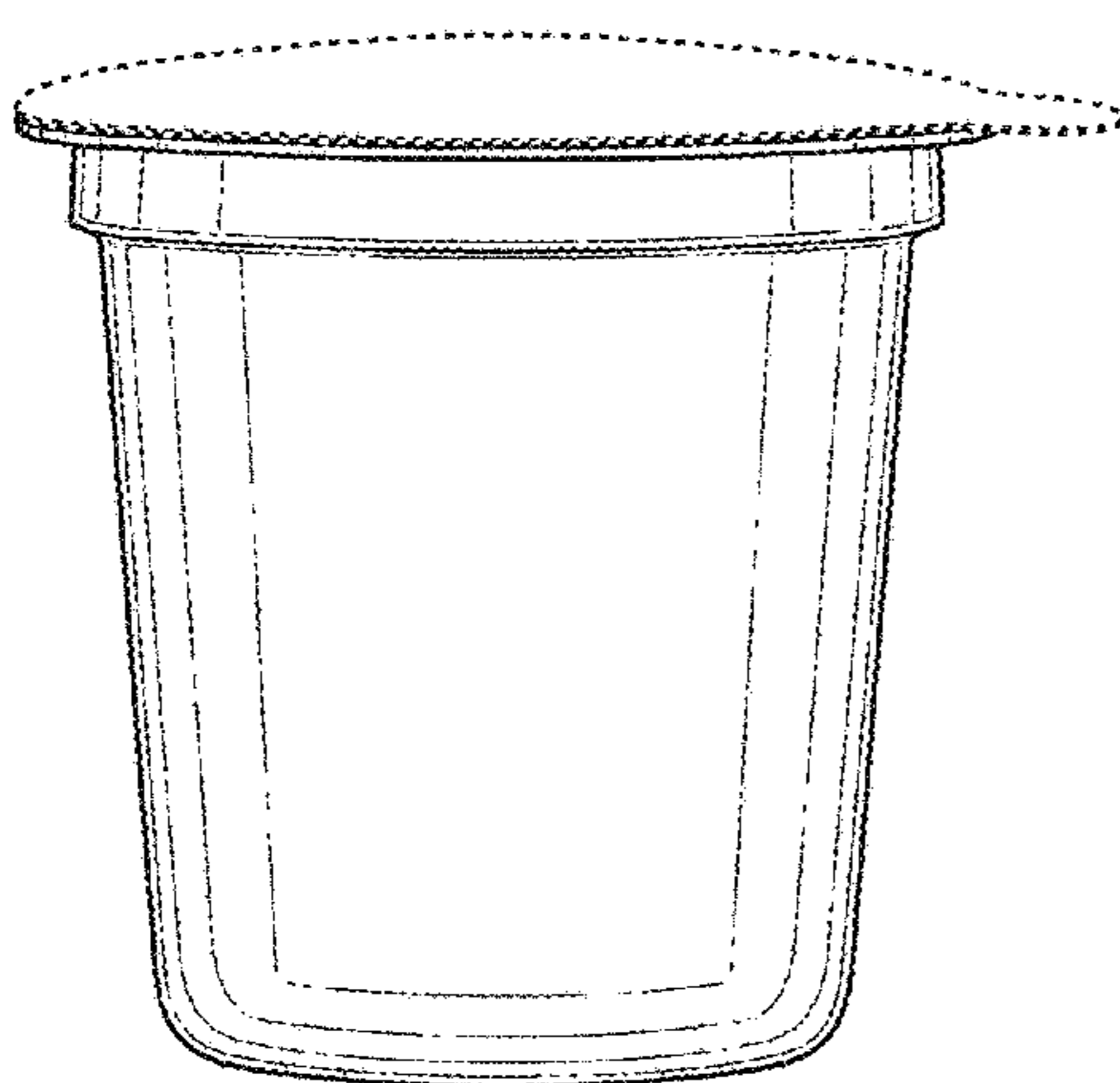
The ornamental design for a food container, as shown and described.

DESCRIPTION

FIG. 1 is a perspective view of a food container, shown with an environmental top lid, showing our new design; FIG. 2 is a top perspective view thereof; FIG. 3 is a bottom perspective view thereof; FIG. 4 is a top plan view thereof; FIG. 5 is a bottom plan view thereof; FIG. 6 is a front elevational view thereof; FIG. 7 is a rear elevational view thereof; FIG. 8 is a right side elevational view thereof, and the left side elevational view being a mirror image thereof; and, FIG. 9 is a front elevational view thereof, shown in environmental use, in nestled condition.

The broken line showing of the top seal in FIG. 1 and the additional container in FIG. 9 are included for the purpose of illustrating an environment and form no part of the claimed design.

1 Claim, 5 Drawing Sheets



(56)

References Cited

U.S. PATENT DOCUMENTS

D625,068 S * 10/2010 Shannon D34/1
D685,233 S * 7/2013 Wong D7/629
D708,481 S * 7/2014 Lin D7/523
D713,720 S * 9/2014 De Pra D9/424

FOREIGN PATENT DOCUMENTS

JP 1181628 8/2003
JP 780239 1/2015

* cited by examiner

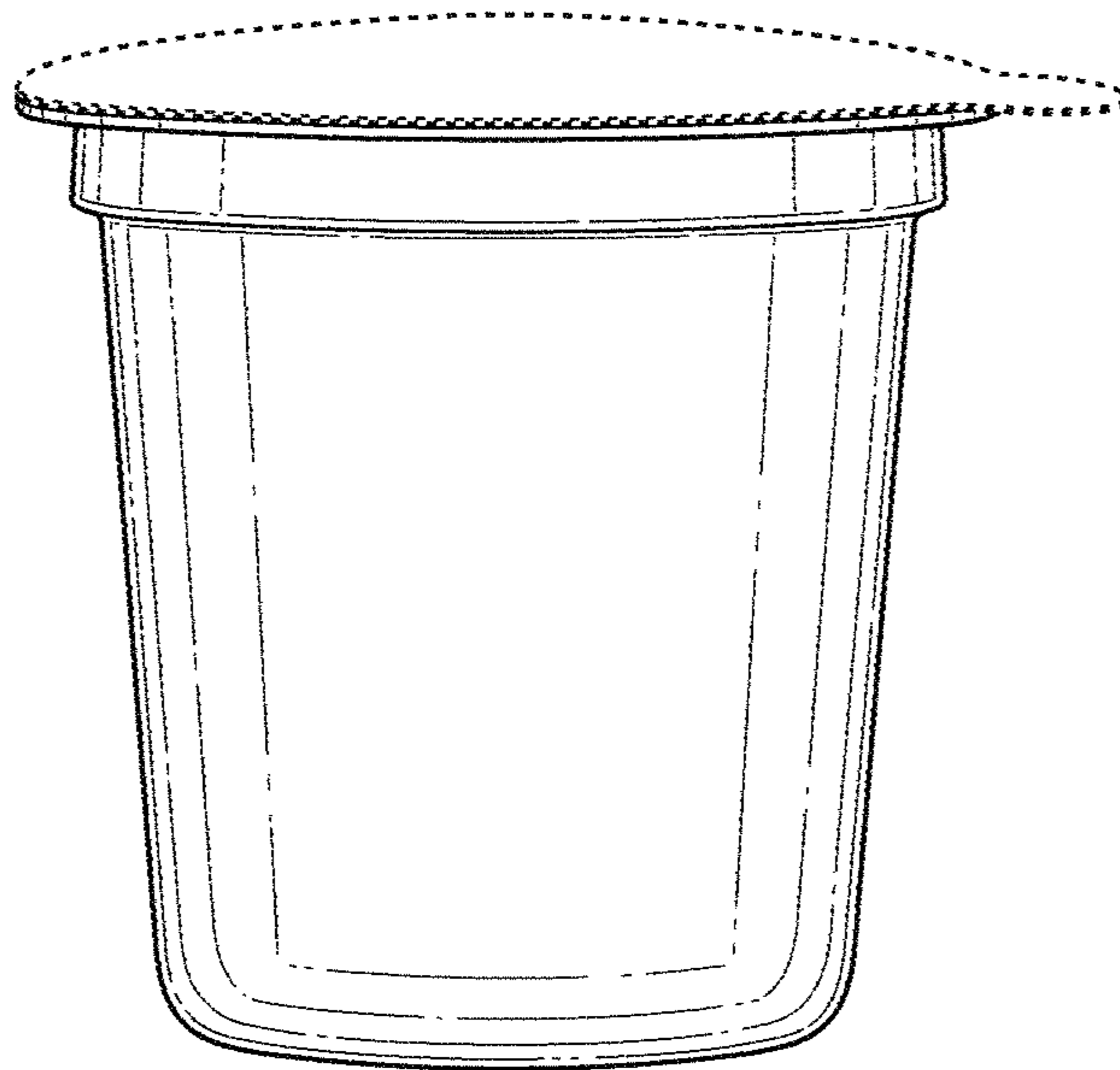


FIG. 1

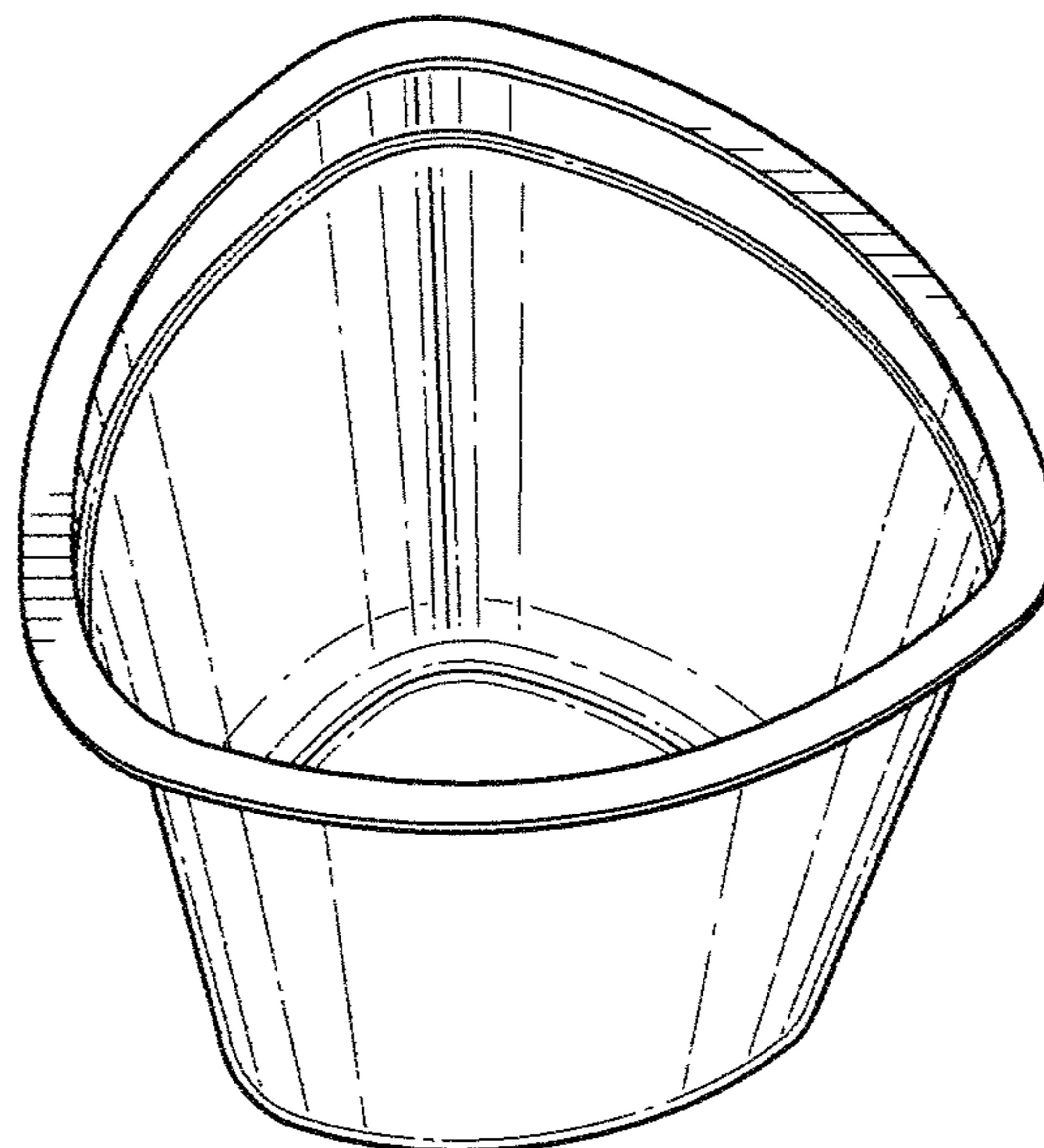


FIG. 2

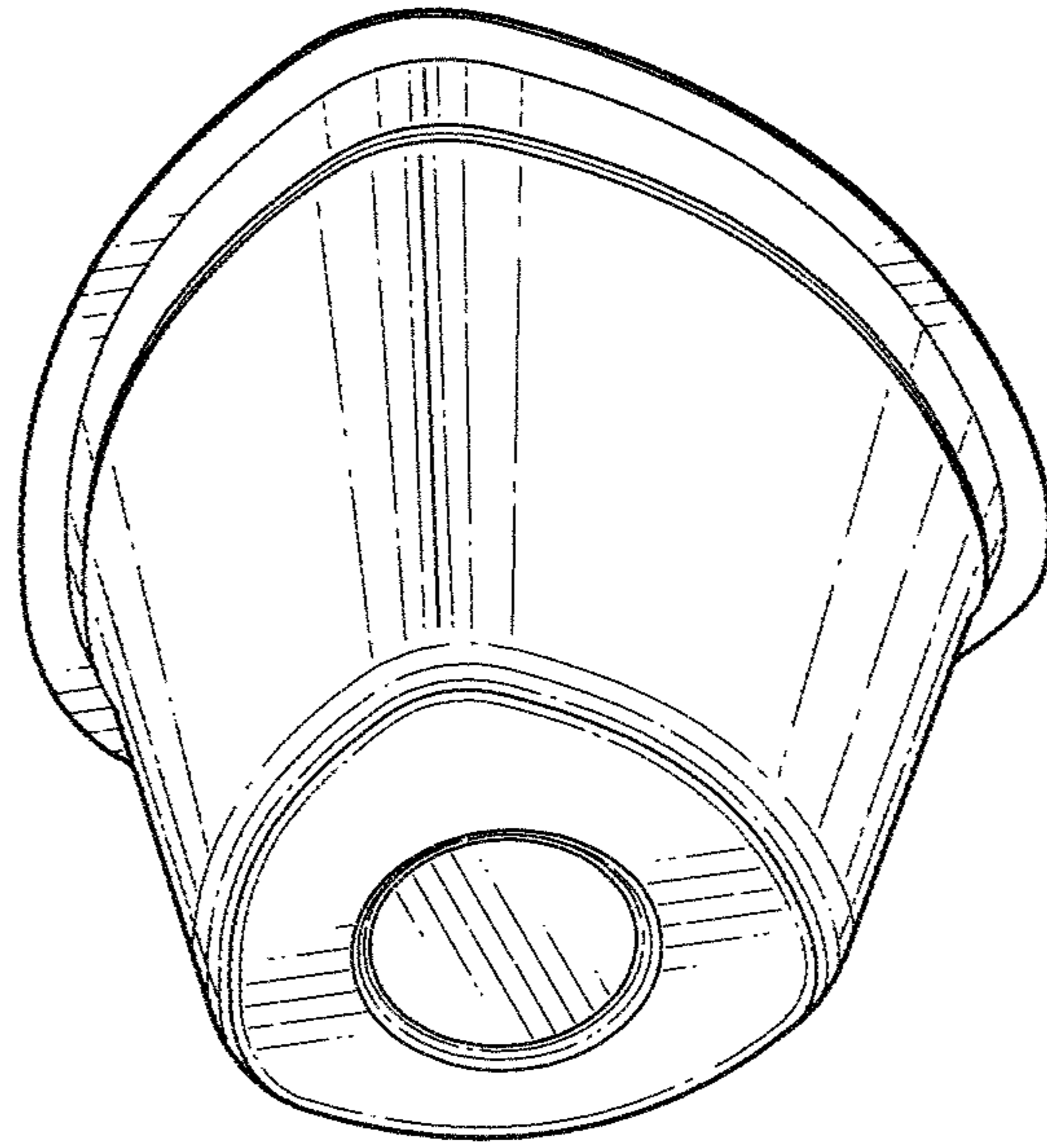


FIG. 3

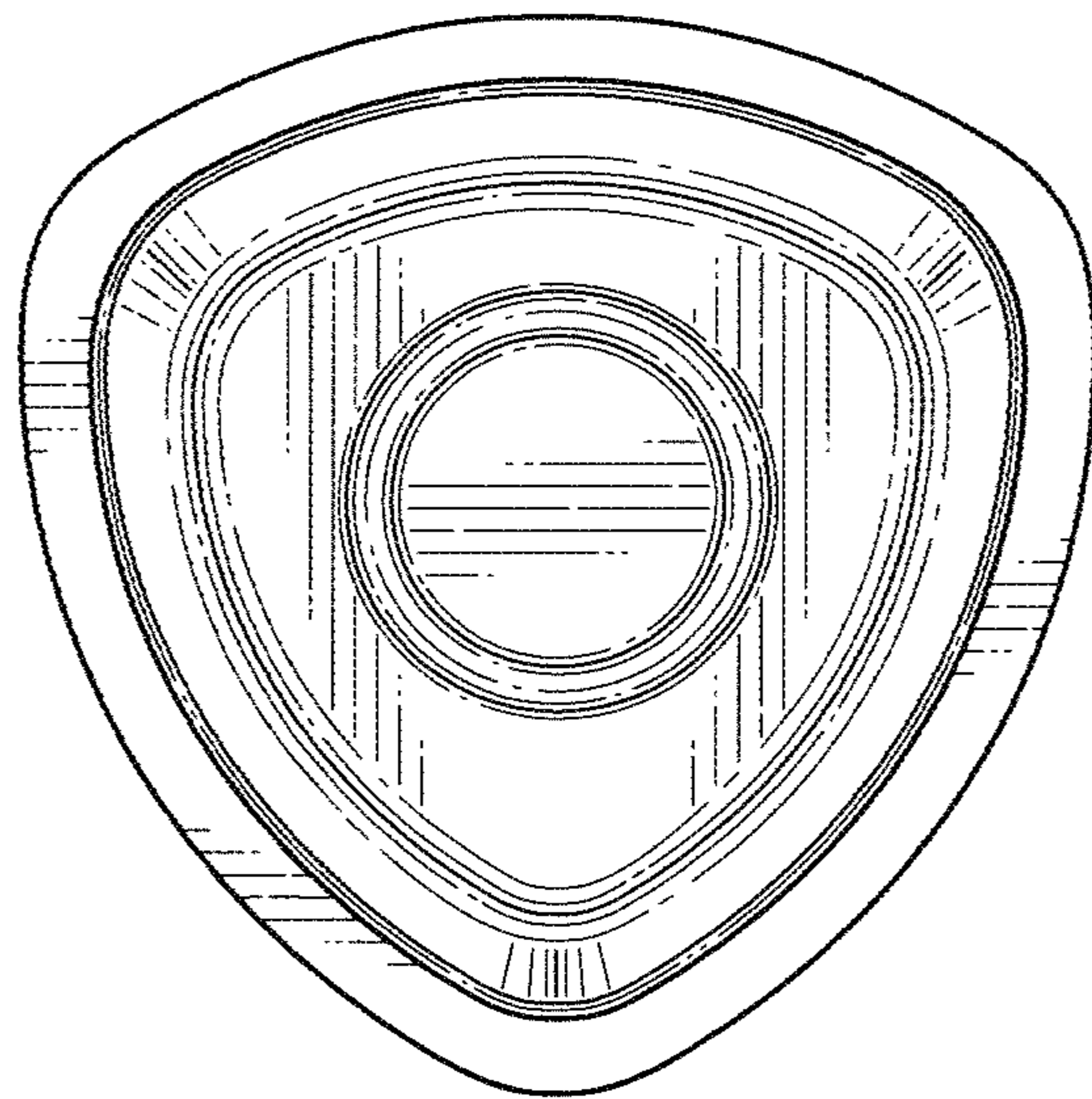


FIG. 4

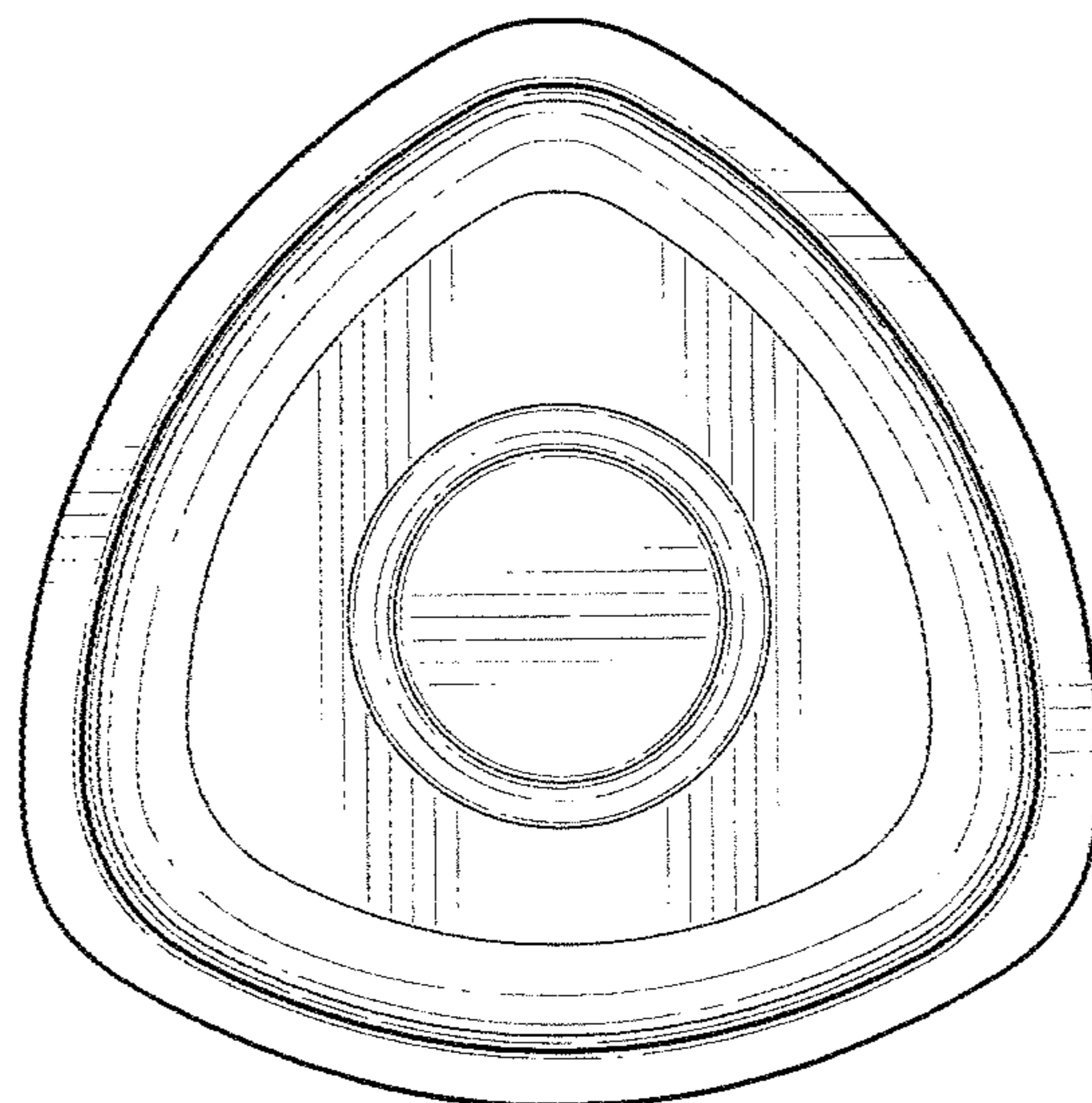


FIG. 5

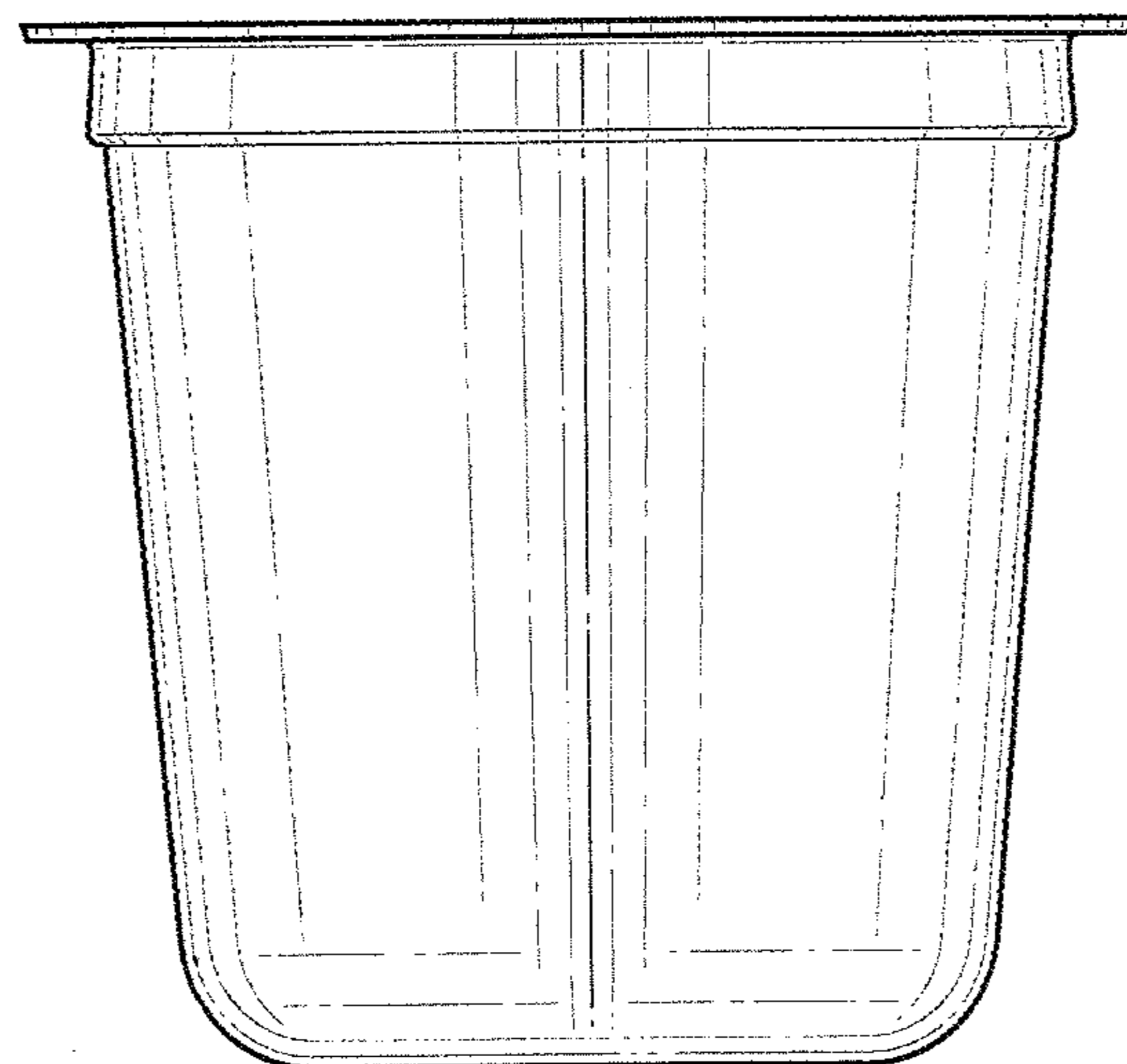


FIG. 6

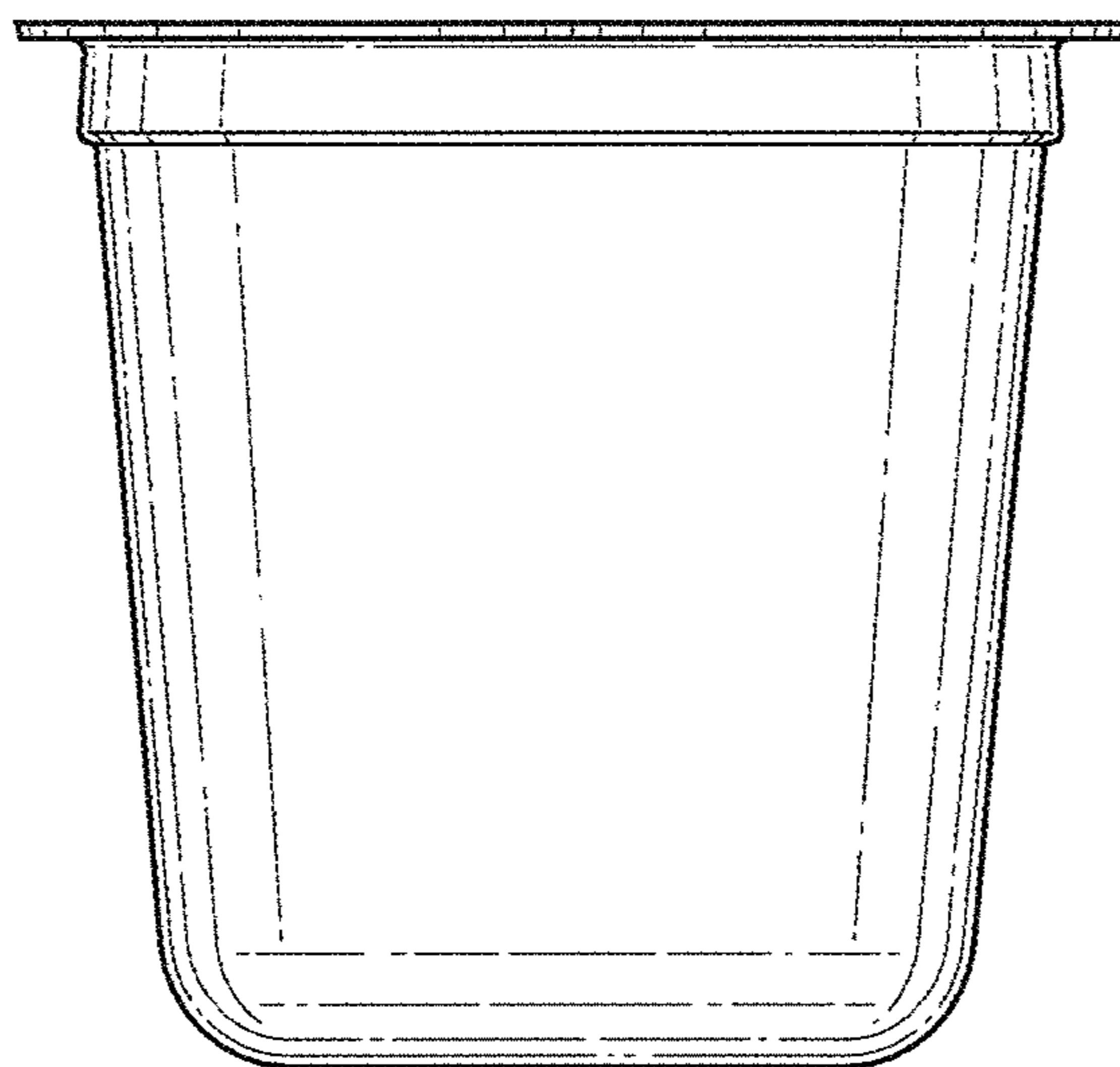


FIG. 7

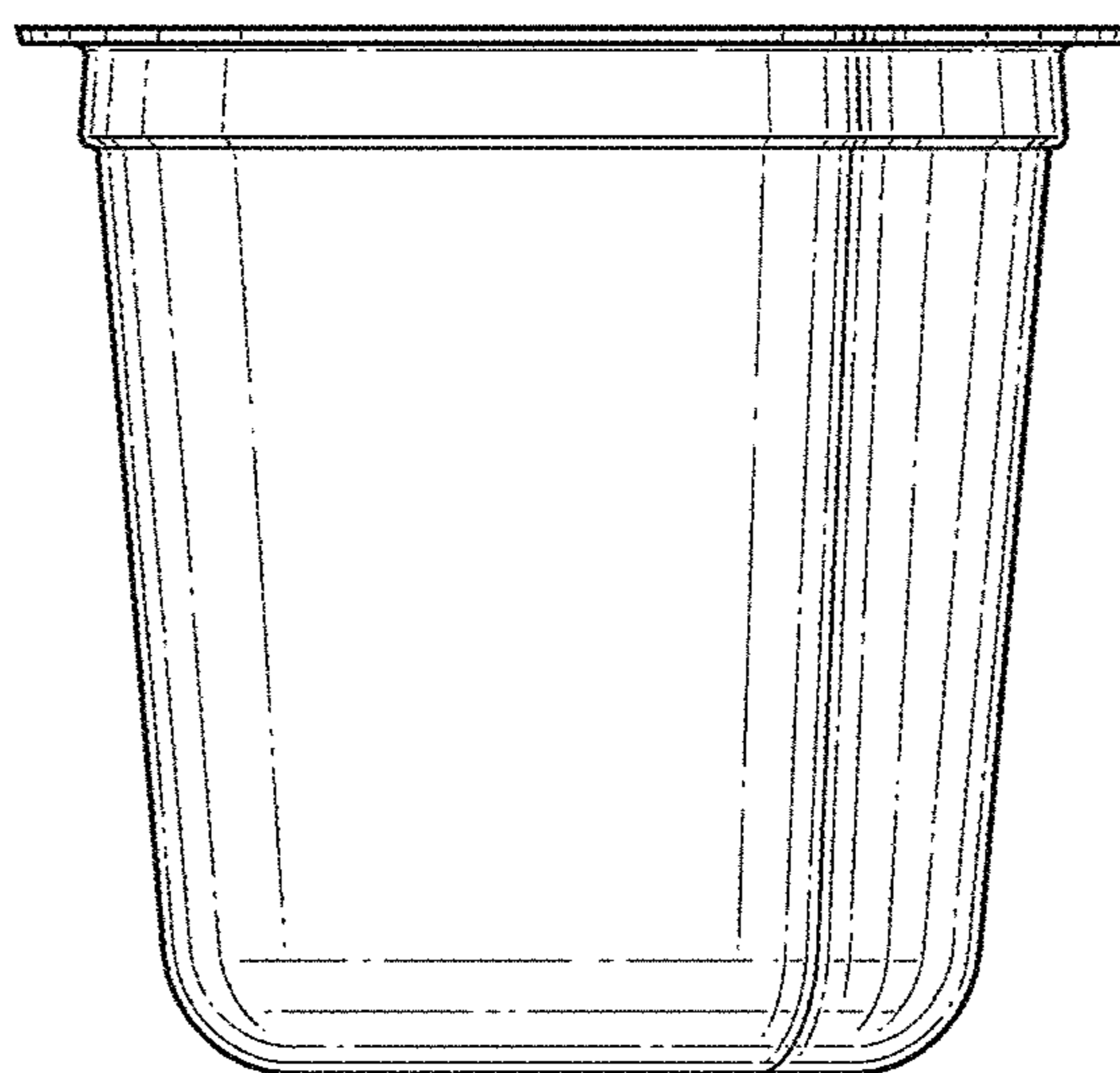


FIG. 8

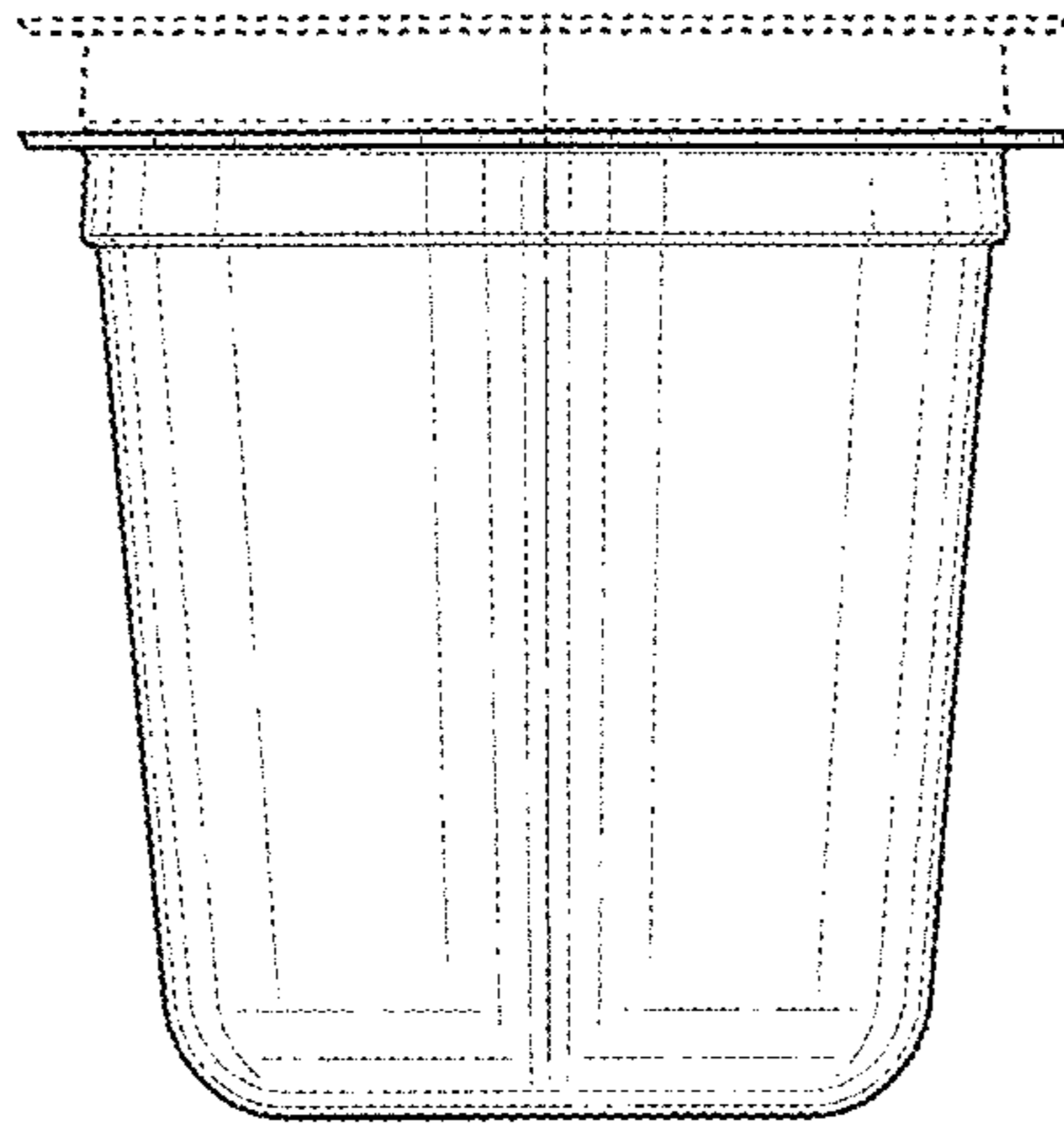


FIG. 9