

US00D793856S

(12) **United States Design Patent** (10) **Patent No.:** **US D793,856 S**  
**Akana et al.** (45) **Date of Patent:** **\*\* Aug. 8, 2017**

(54) **PRODUCT DISPLAY UNIT**

(71) Applicant: **Apple Inc.**, Cupertino, CA (US)  
(72) Inventors: **Jody Akana**, San Francisco, CA (US);  
**Molly Anderson**, San Francisco, CA (US); **Bartley K. Andre**, Palo Alto, CA (US); **Shota Aoyagi**, San Francisco, CA (US); **Anthony Michael Ashcroft**, San Francisco, CA (US); **Jeremy Bataillou**, San Francisco, CA (US); **Daniel J. Coster**, San Francisco, CA (US); **Daniele De Iuliis**, San Francisco, CA (US); **Liane Fang**, Redwood City, CA (US); **M. Evans Hankey**, San Francisco, CA (US); **Julian Hoenig**, San Francisco, CA (US); **Richard P. Howarth**, San Francisco, CA (US); **Jonathan P. Ive**, San Francisco, CA (US); **Duncan Robert Kerr**, San Francisco, CA (US); **Peter Russell-Clarke**, San Francisco, CA (US); **Charles A. Schwabach**, Menlo Park, CA (US); **Benjamin Andrew Shaffer**, San Jose, CA (US); **Mikael Silvano**, San Francisco, CA (US); **Christopher J. Stringer**, Woodside, CA (US); **Clement Tissandier**, San Francisco, CA (US); **Eugene Antony Whang**, San Francisco, CA (US); **Sheng Yang**, Mountain View, CA (US); **Rico Zörkendörfer**, San Francisco, CA (US)

(73) Assignee: **Apple Inc.**, Cupertino, CA (US)

(\*\*) Term: **15 Years**

(21) Appl. No.: **29/539,248**

(22) Filed: **Sep. 11, 2015**

(51) **LOC (10) Cl.** ..... **09-03**

(52) **U.S. Cl.**  
USPC ..... **D9/425**

(58) **Field of Classification Search**  
USPC ..... D3/313, 905; D6/517, 532, 552, 656.19, D6/677.4; D9/418, 424, 452, 455, 457,  
(Continued)

(56) **References Cited**

U.S. PATENT DOCUMENTS

D264,168 S \* 5/1982 Teuber ..... D7/624.1  
4,825,550 A \* 5/1989 Pace ..... B26B 29/06  
211/70.7

(Continued)

FOREIGN PATENT DOCUMENTS

DE M9802739-0005 11/1998  
DE M9802739-0006 11/1998  
DE M9802739-0007 11/1998

OTHER PUBLICATIONS

U.S. Appl. No. 29/500,899, filed Aug. 29, 2014; Akana et al.  
U.S. Appl. No. 29/500,912, filed Aug. 29, 2014; Akana et al.  
U.S. Appl. No. 29/519,811, filed Mar. 9, 2015; Anderson et al.

*Primary Examiner* — Manpreet Matharu

*Assistant Examiner* — Keith Wilson

(74) *Attorney, Agent, or Firm* — Sterne, Kessler, Goldstein & Fox P.L.L.C.

(57) **CLAIM**

The ornamental design for a product display unit, as shown and described.

**DESCRIPTION**

FIG. 1 is a bottom front perspective view of a product display unit showing the claimed design;  
FIG. 2 is a right side view thereof;  
FIG. 3 is a left side view thereof;  
FIG. 4 is a top view thereof;  
FIG. 5 is a bottom view thereof;  
FIG. 6 is a front view thereof;  
FIG. 7 is a rear view thereof; and,

(Continued)

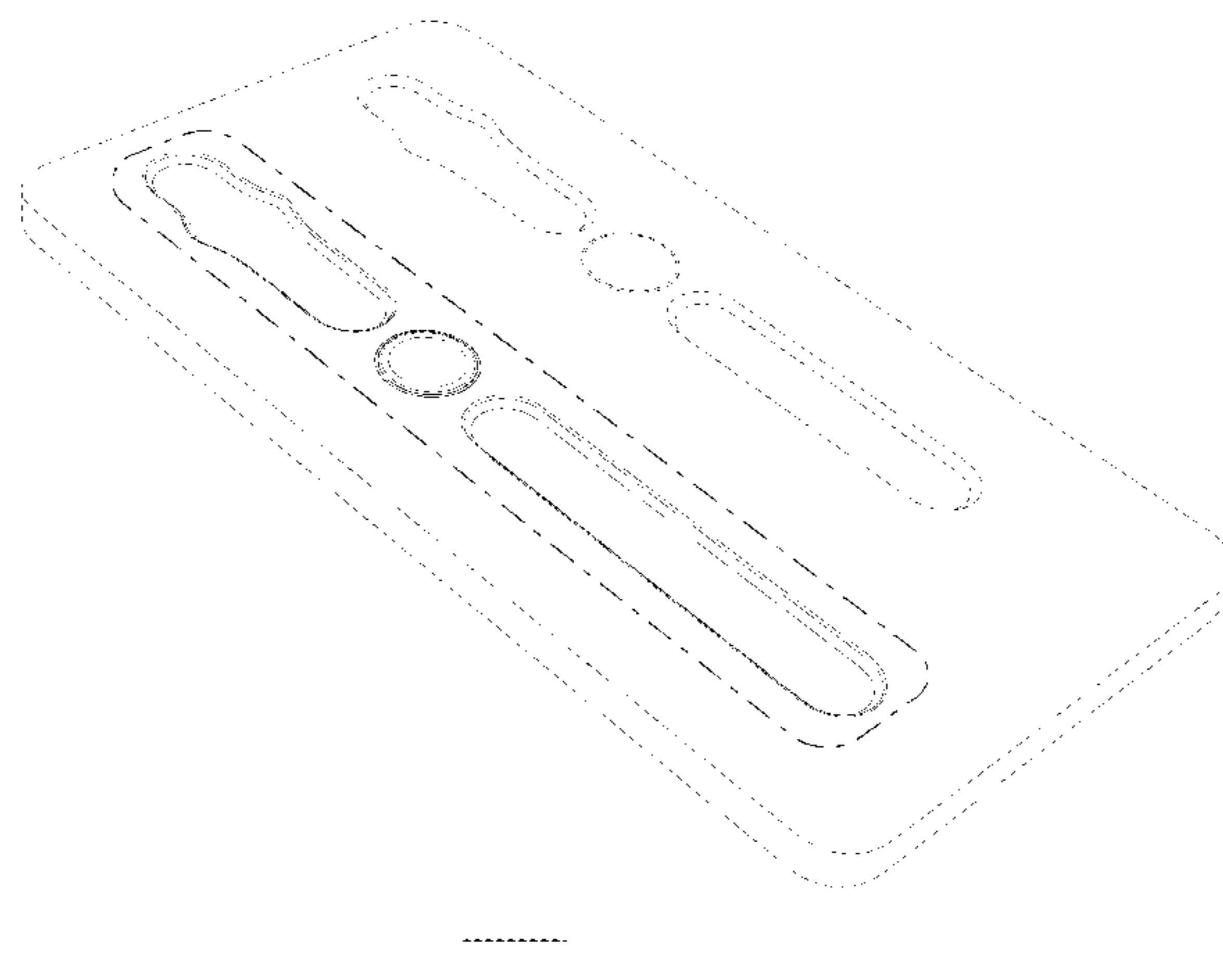


FIG. 8 is a front view of the product display unit in an environment in which it may be used.

The dashed broken lines in the figures show portions of the product display unit and environment that form no part of the claimed design.

The dot-dash broken lines in the figures show boundaries that form no part of the claimed design.

The intermittently interrupted shade lines in the figures show contour and not surface ornamentation.

**1 Claim, 6 Drawing Sheets**

(58) **Field of Classification Search**

USPC ..... D9/671, 736, 749, 755, 759; D7/553.2, D7/624; 206/570; 211/70.7, 70.6

CPC ..... B26B 29/06; B65D 1/36; A61B 50/33  
See application file for complete search history.

(56) **References Cited**

U.S. PATENT DOCUMENTS

D324,651 S \* 3/1992 Kaneko ..... D9/418  
D381,515 S \* 7/1997 Haynes ..... D24/224  
D393,543 S \* 4/1998 Wilkening ..... D3/313  
D457,371 S \* 5/2002 Grassman ..... D6/552  
D506,744 S 6/2005 Andre et al.

D558,572 S 1/2008 Andre et al.  
D580,752 S 11/2008 Andre et al.  
D582,267 S 12/2008 Andre et al.  
D584,142 S 1/2009 Andre et al.  
D601,884 S 10/2009 Andre et al.  
D616,738 S 6/2010 Andre et al.  
D616,741 S 6/2010 Andre et al.  
D621,256 S 8/2010 Andre et al.  
D634,541 S \* 3/2011 Gutierrez ..... D3/313  
D638,297 S \* 5/2011 Gelardi ..... D9/455  
D658,492 S 5/2012 Akana et al.  
D659,530 S 5/2012 Akana et al.  
D660,723 S 5/2012 Akana et al.  
D668,143 S 10/2012 Akana et al.  
D677,563 S 3/2013 Andre et al.  
D685,654 S 7/2013 Akana et al.  
D695,632 S 12/2013 Akana et al.  
D702,547 S 4/2014 Akana et al.  
D706,643 S 6/2014 Akana et al.  
D712,279 S 9/2014 Akana et al.  
D712,748 S 9/2014 Akana et al.  
D713,738 S 9/2014 Akana et al.  
D713,739 S 9/2014 Akana et al.  
D713,740 S 9/2014 Akana et al.  
D728,941 S \* 5/2015 Stoeckmann ..... D3/313  
D735,131 S 7/2015 Akana et al.  
D737,157 S 8/2015 Akana et al.  
D746,637 S \* 1/2016 Mairinger ..... D7/553.2  
2009/0242454 A1 \* 10/2009 Musse ..... B65D 1/36  
206/570

\* cited by examiner

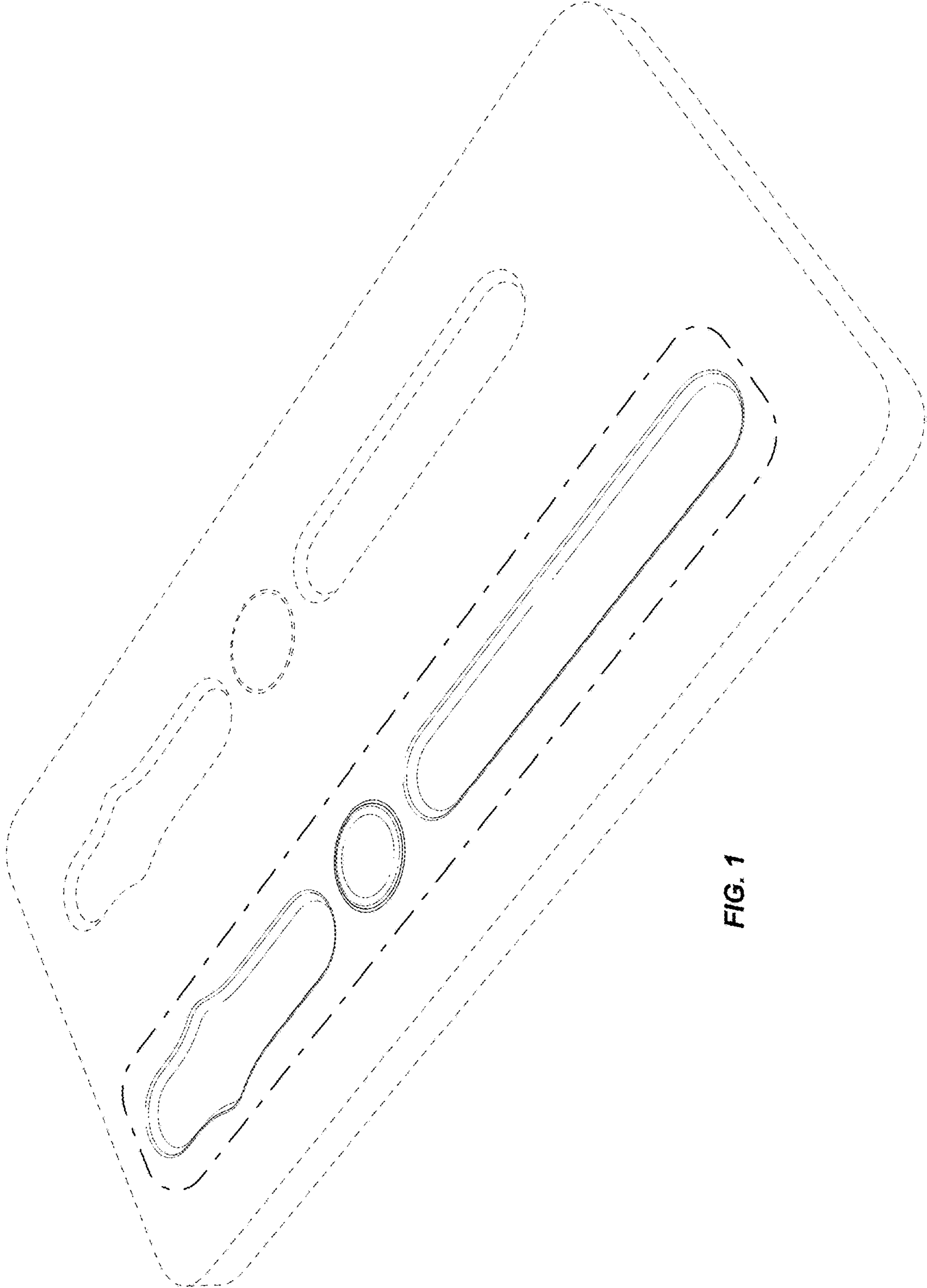
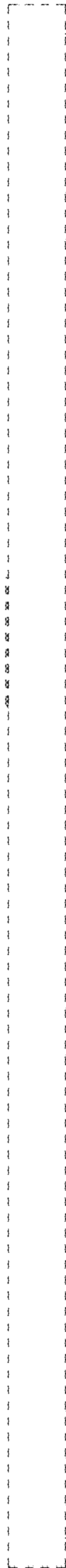


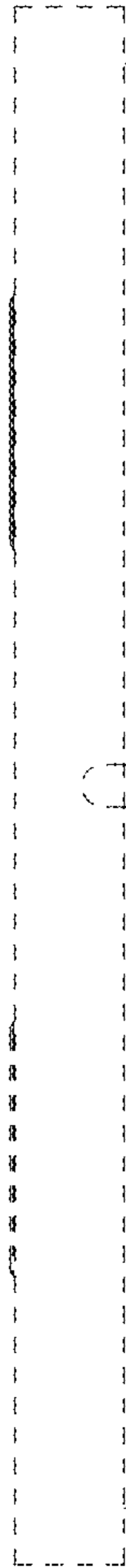
FIG. 1



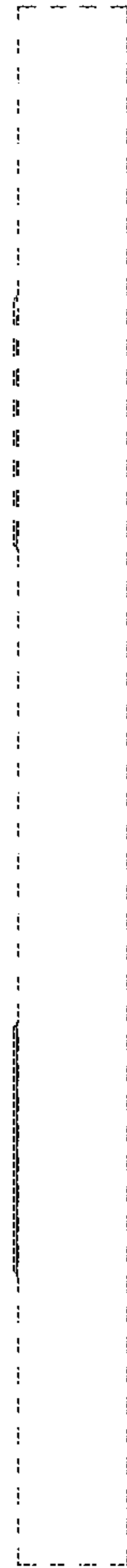
**FIG. 2**



**FIG. 3**



**FIG. 4**



**FIG. 5**

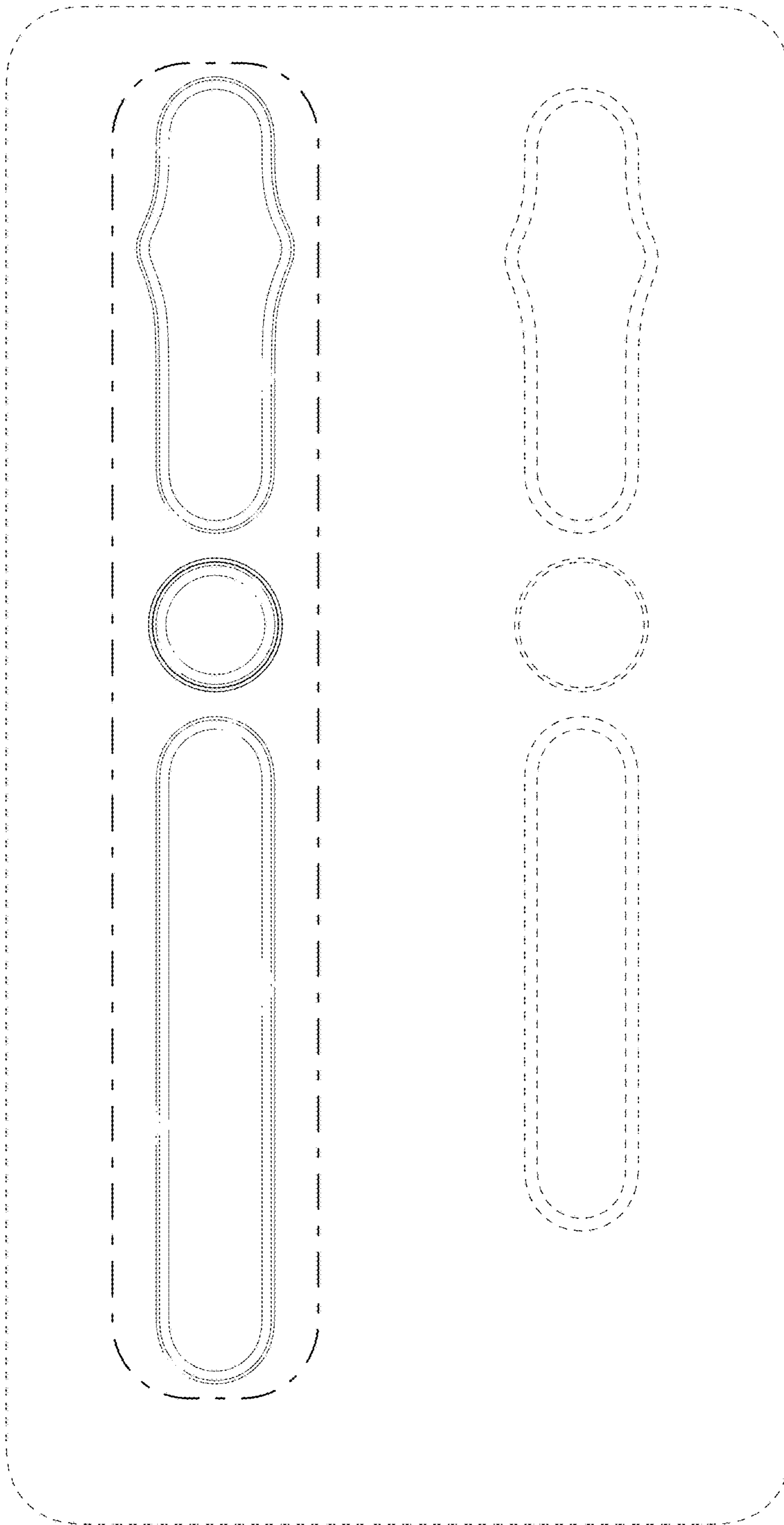


FIG. 6



FIG. 7

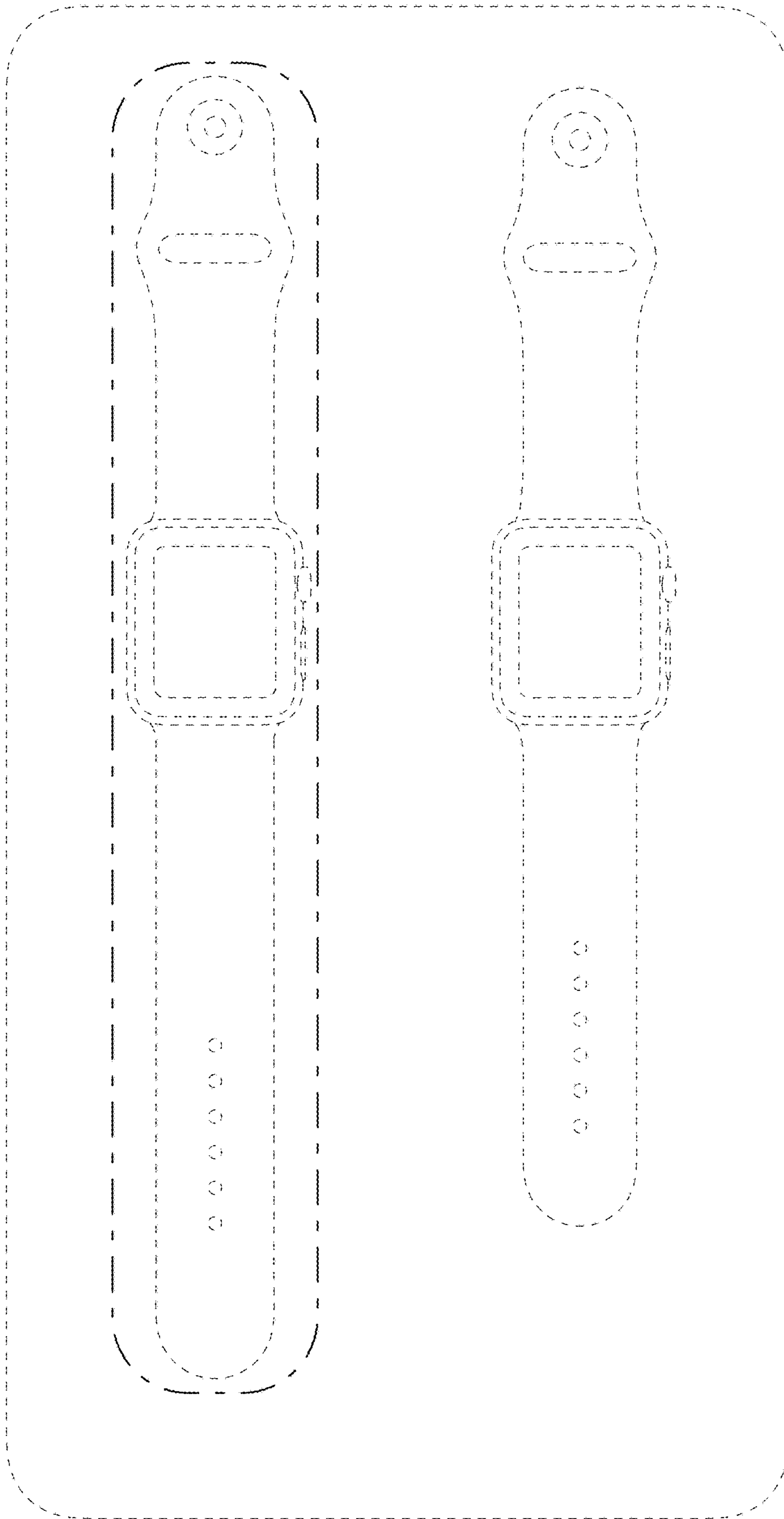


FIG. 8