



US00D793854S

(12) **United States Design Patent**  
**Baiz et al.**

(10) **Patent No.:** **US D793,854 S**

(45) **Date of Patent:** **\*\* Aug. 8, 2017**

(54) **LUG NUT CAP**

(71) Applicants: **Enrique J. Baiz**, Miramar, FL (US);  
**Oswaldo Izquierdo**, Homestead, FL (US)

(72) Inventors: **Enrique J. Baiz**, Miramar, FL (US);  
**Oswaldo Izquierdo**, Homestead, FL (US)

(\*\*) Term: **15 Years**

(21) Appl. No.: **29/578,168**

(22) Filed: **Sep. 19, 2016**

(51) **LOC (10) Cl.** ..... **08-08**

(52) **U.S. Cl.**  
USPC ..... **D8/397**

(58) **Field of Classification Search**  
USPC ..... D8/397, 394, 382, 349  
CPC ..... A61B 17/0401; E04D 13/1476; E04G  
25/065; F16B 41/002; F16B 23/0061  
See application file for complete search history.

(56) **References Cited**

U.S. PATENT DOCUMENTS

- 1,115,307 A \* 10/1914 Guffee ..... F16B 41/002  
29/235
- 2,630,805 A \* 3/1953 Brehm ..... A61M 3/0279  
604/104
- 2,670,737 A \* 3/1954 Cantor ..... A61F 11/08  
128/864
- 3,222,976 A \* 12/1965 Holman ..... F16B 23/0061  
301/35.623
- D225,970 S \* 1/1973 O'Donnell ..... D8/387
- 4,314,553 A \* 2/1982 Westerdal ..... A61F 11/08  
128/201.18
- 4,333,660 A \* 6/1982 Cupit ..... E04D 13/1476  
277/630
- D268,565 S \* 4/1983 Mortus ..... D8/397
- D273,614 S \* 4/1984 Rolla ..... D24/106

- D335,852 S \* 5/1993 Carles ..... D12/160
- D381,897 S \* 8/1997 Matthiesen ..... D22/116
- D408,526 S \* 4/1999 Westerdal ..... D24/106
- D427,511 S \* 7/2000 Weld ..... D8/397
- 6,155,987 A \* 12/2000 Scherl ..... A61F 11/006  
128/898
- 6,361,258 B1 \* 3/2002 Heesch ..... F16B 23/0084  
411/178
- 6,387,129 B2 \* 5/2002 Rieser ..... A61B 17/8615  
606/318
- D460,398 S \* 7/2002 Berry ..... D12/213
- 6,540,750 B2 \* 4/2003 Burkhart ..... A61B 17/0401  
606/232
- 6,692,083 B2 \* 2/2004 Latham ..... E21C 35/18  
299/104
- D549,568 S \* 8/2007 Schaeffer ..... D8/397
- 7,252,471 B1 \* 8/2007 Manyoky ..... F16B 37/00  
411/427
- 7,392,674 B1 \* 7/2008 Grote ..... F16B 37/14  
411/910

(Continued)

*Primary Examiner* — Cynthia Underwood  
(74) *Attorney, Agent, or Firm* — Quickpatents, LLC;  
Kevin Prince

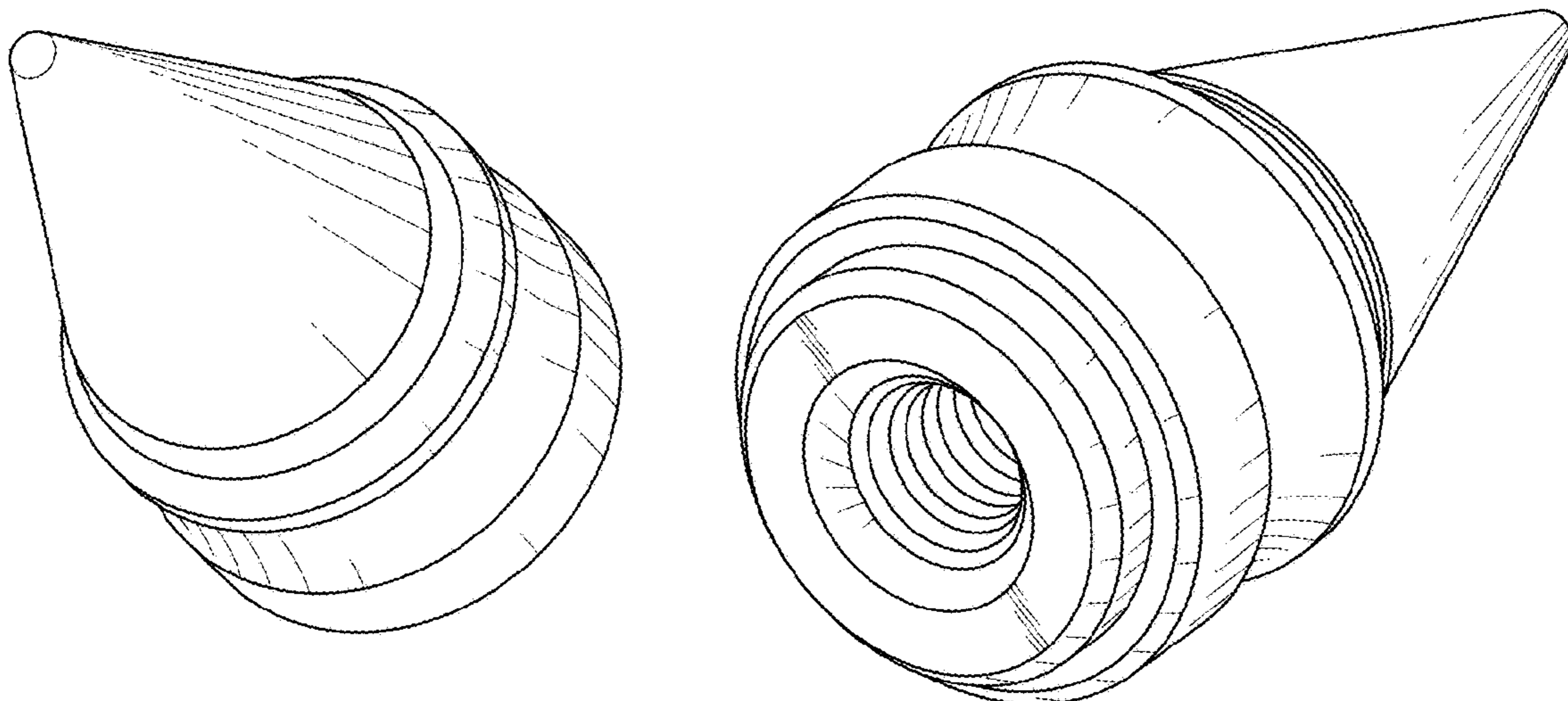
(57) **CLAIM**

We claim the ornamental design for a lug nut cap, as shown and described.

**DESCRIPTION**

FIG. 1 is a top perspective view of a lug nut cap, showing our new design;  
FIG. 2 is a bottom perspective view thereof;  
FIG. 3 is a front elevational view thereof, the rear elevational view, right-side elevational view, and left-side elevational view all being identical thereto;  
FIG. 4 is a top plan view thereof;  
FIG. 5 is a bottom plan view thereof; and,  
FIG. 6 is a cross-sectional view thereof, taken along line 6--6 of FIG. 4.

**1 Claim, 3 Drawing Sheets**



(56)

**References Cited**

## U.S. PATENT DOCUMENTS

D581,777 S \* 12/2008 Huang ..... D8/397  
D592,748 S \* 5/2009 Boulton ..... A61F 11/006  
D24/108  
7,814,709 B1 \* 10/2010 Resech ..... E04D 13/1407  
52/100  
D647,393 S \* 10/2011 Carrillo, Sr. .... D8/387  
D720,208 S \* 12/2014 Jordan ..... D8/397  
D731,300 S \* 6/2015 Vargas ..... D8/397  
D738,265 S \* 9/2015 McNeeley ..... D12/118  
9,206,832 B1 \* 12/2015 Maddux ..... F16B 37/14  
D765,855 S \* 9/2016 Ben-Yehuda ..... D24/156  
D780,563 S \* 3/2017 Baiz ..... D8/387  
D780,564 S \* 3/2017 Baiz ..... D8/387  
D785,538 S \* 5/2017 Jordan ..... D12/213  
D786,057 S \* 5/2017 Baiz ..... D8/397  
D787,306 S \* 5/2017 Baiz ..... D8/397  
2014/0074163 A1 \* 3/2014 West, Jr. .... A61B 17/0401  
606/232  
2014/0222072 A1 \* 8/2014 Gerber ..... A61B 17/0401  
606/232  
2014/0249579 A1 \* 9/2014 Heaven ..... A61B 17/0401  
606/232  
2017/0051780 A1 \* 2/2017 Dickinson ..... B29C 45/006  
2017/0130760 A1 \* 5/2017 Thiele ..... F16B 39/24  
2017/0150959 A1 \* 6/2017 Berelsman ..... A61B 17/0401  
2017/0151007 A1 \* 6/2017 Philipon ..... A61B 17/8888  
2017/0151054 A1 \* 6/2017 Stone ..... A61F 2/0811

\* cited by examiner

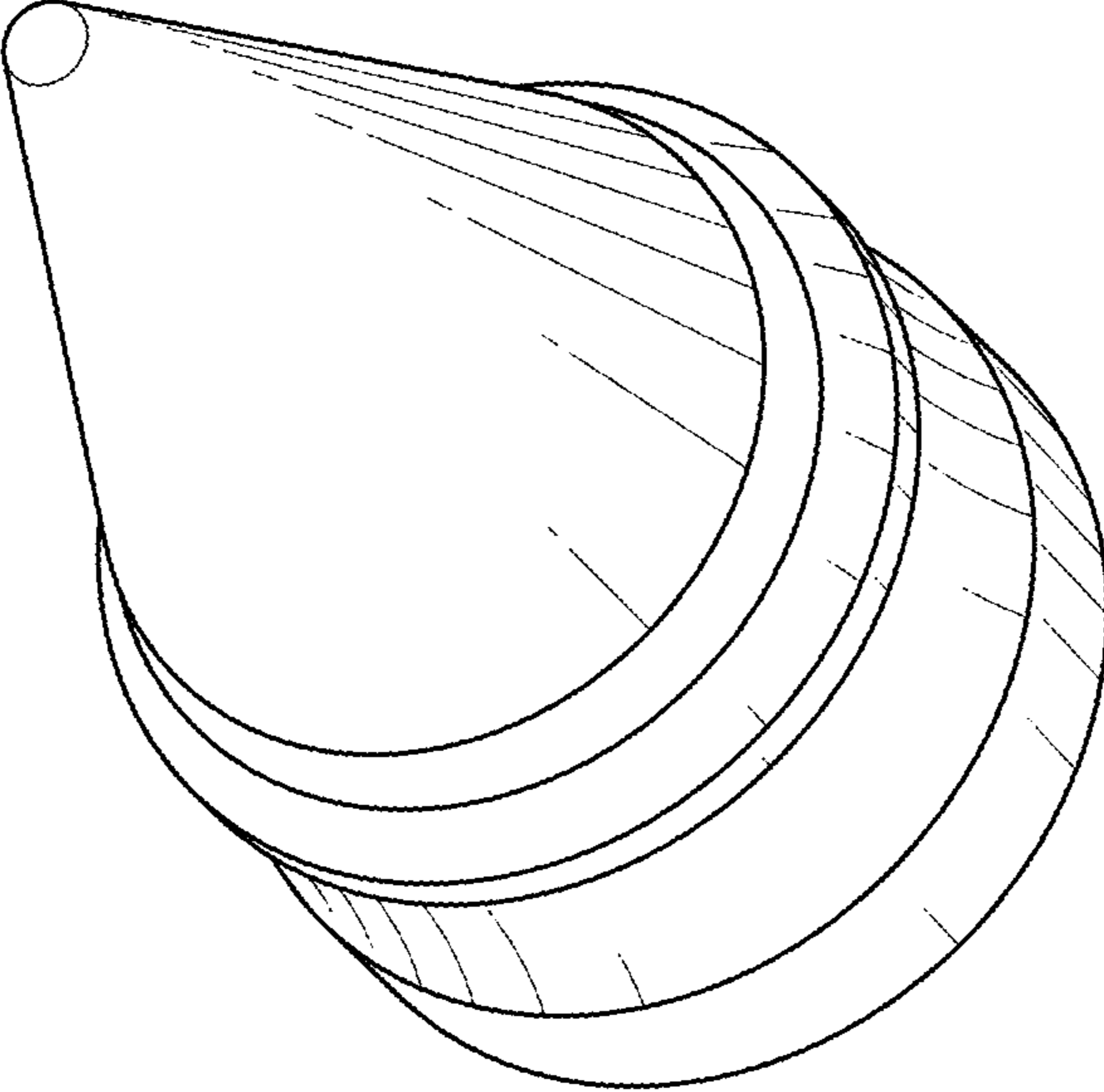


FIG. 1

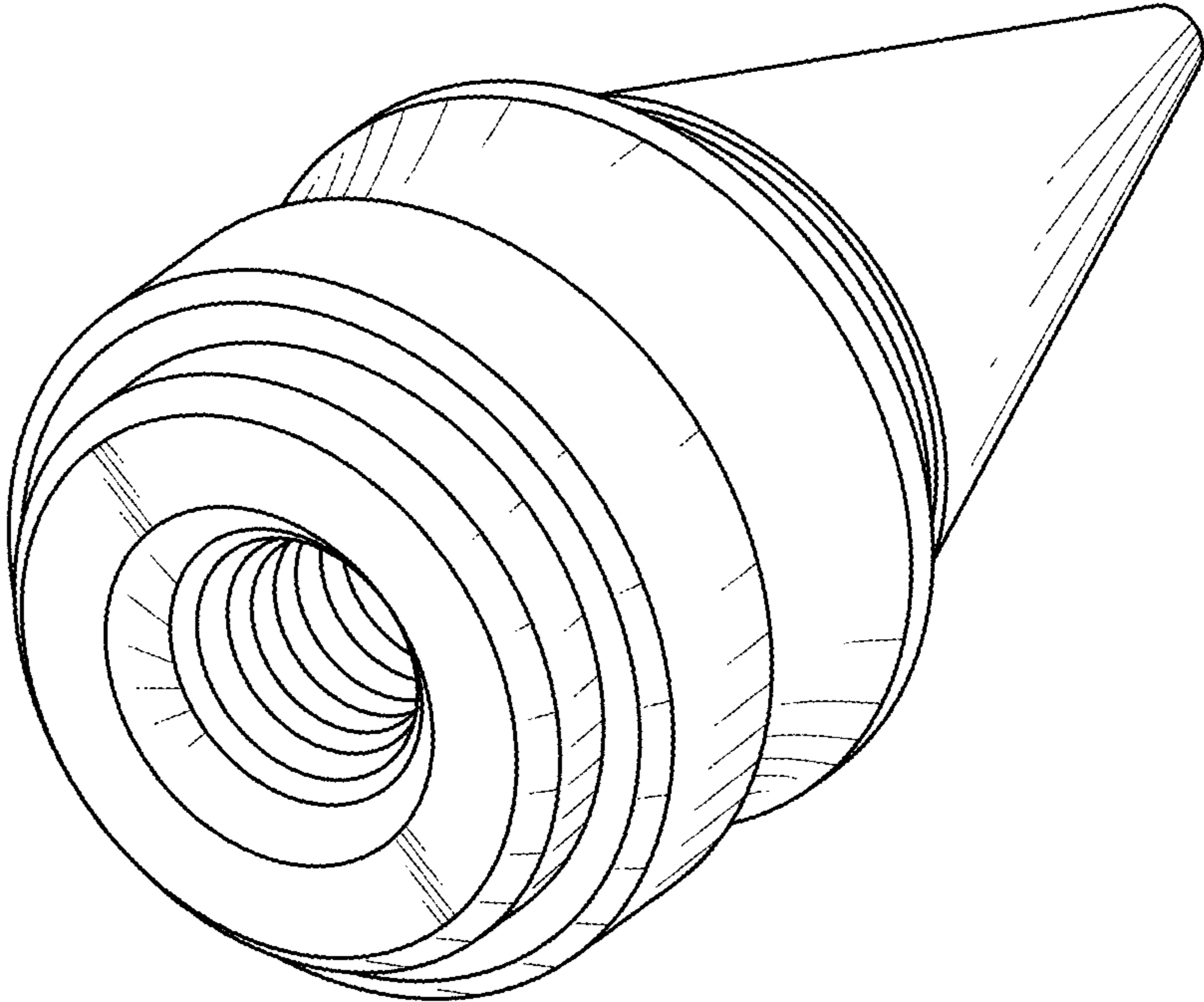


FIG. 2

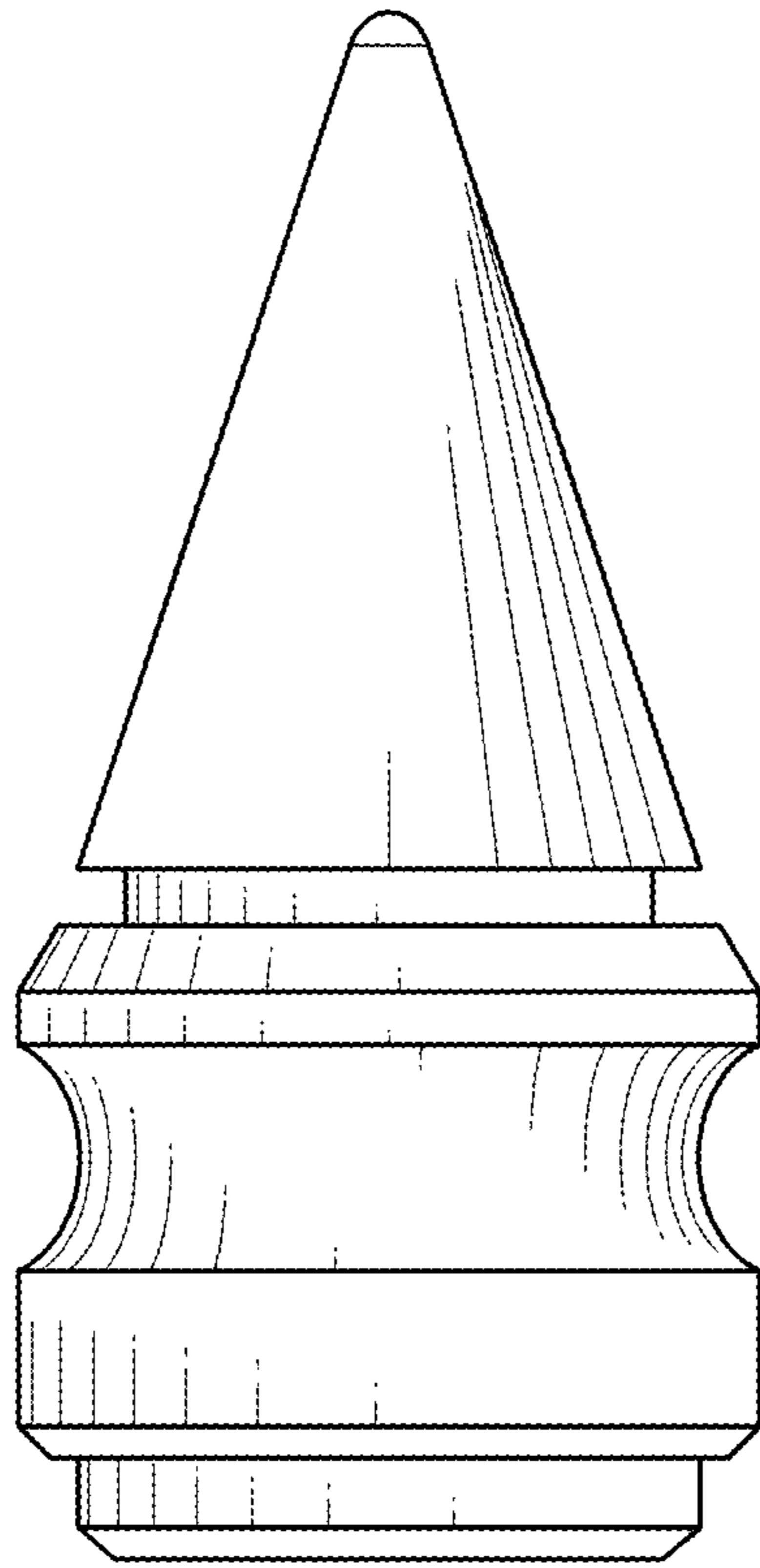


FIG. 3

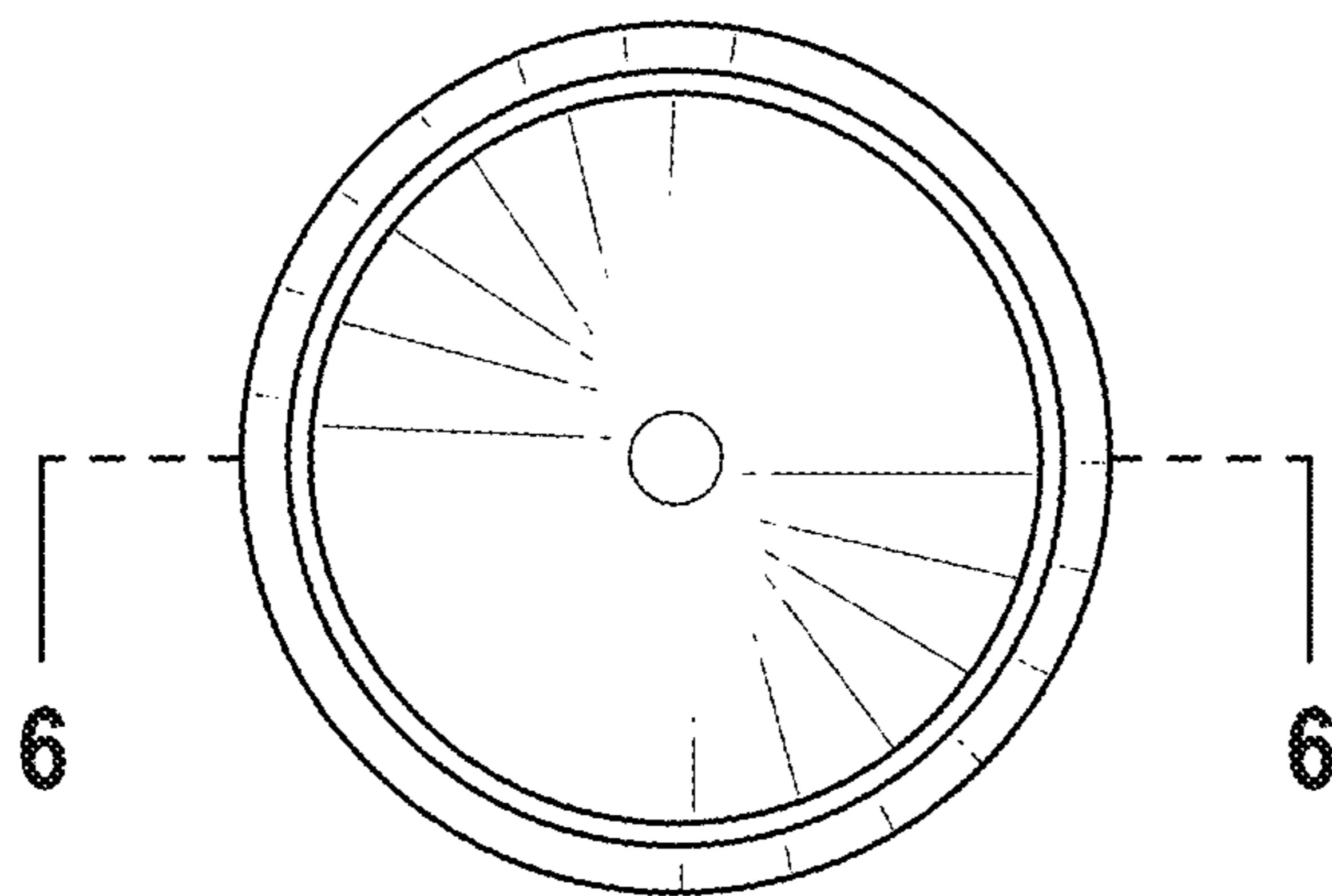


FIG. 4

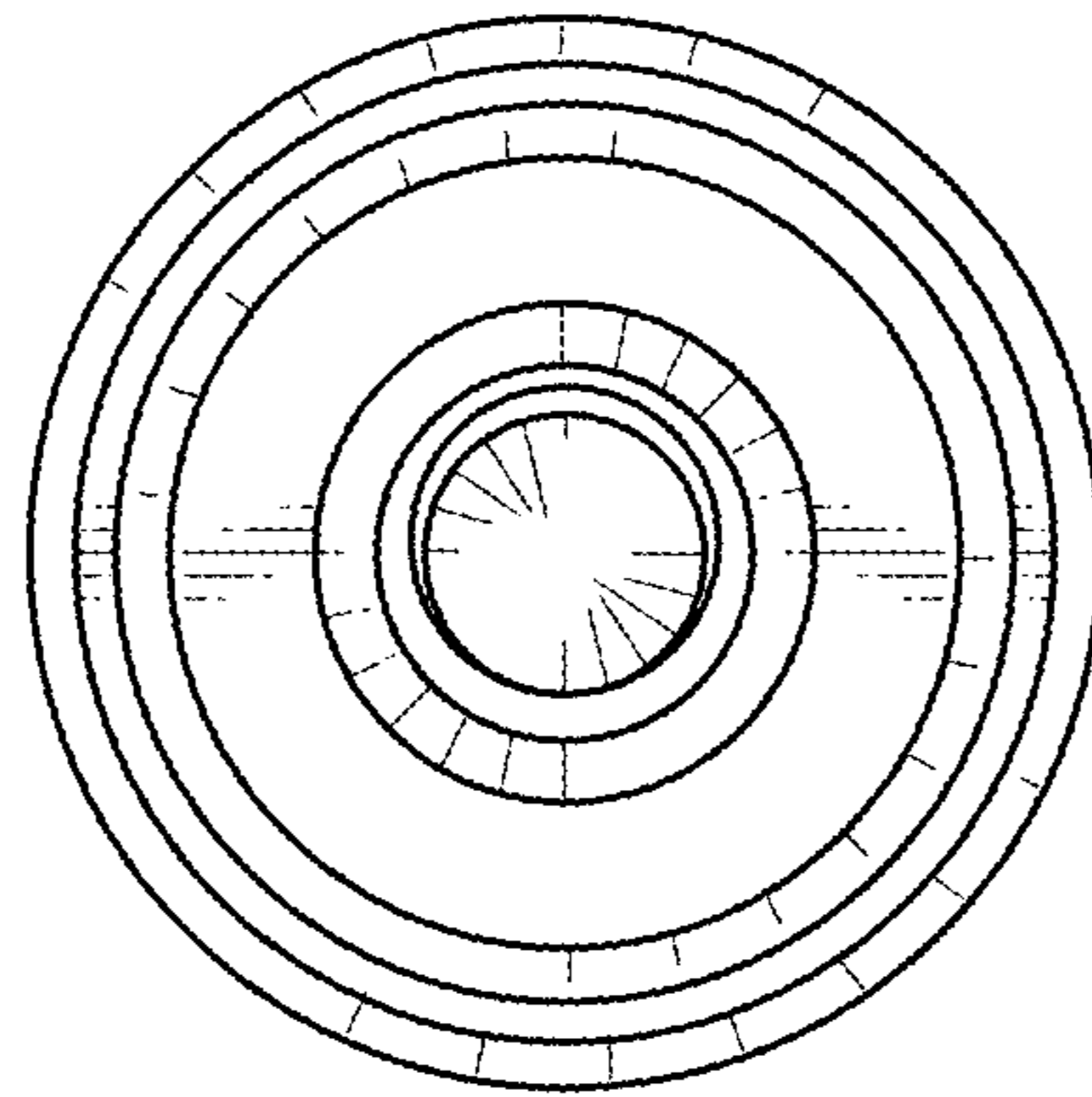


FIG. 5

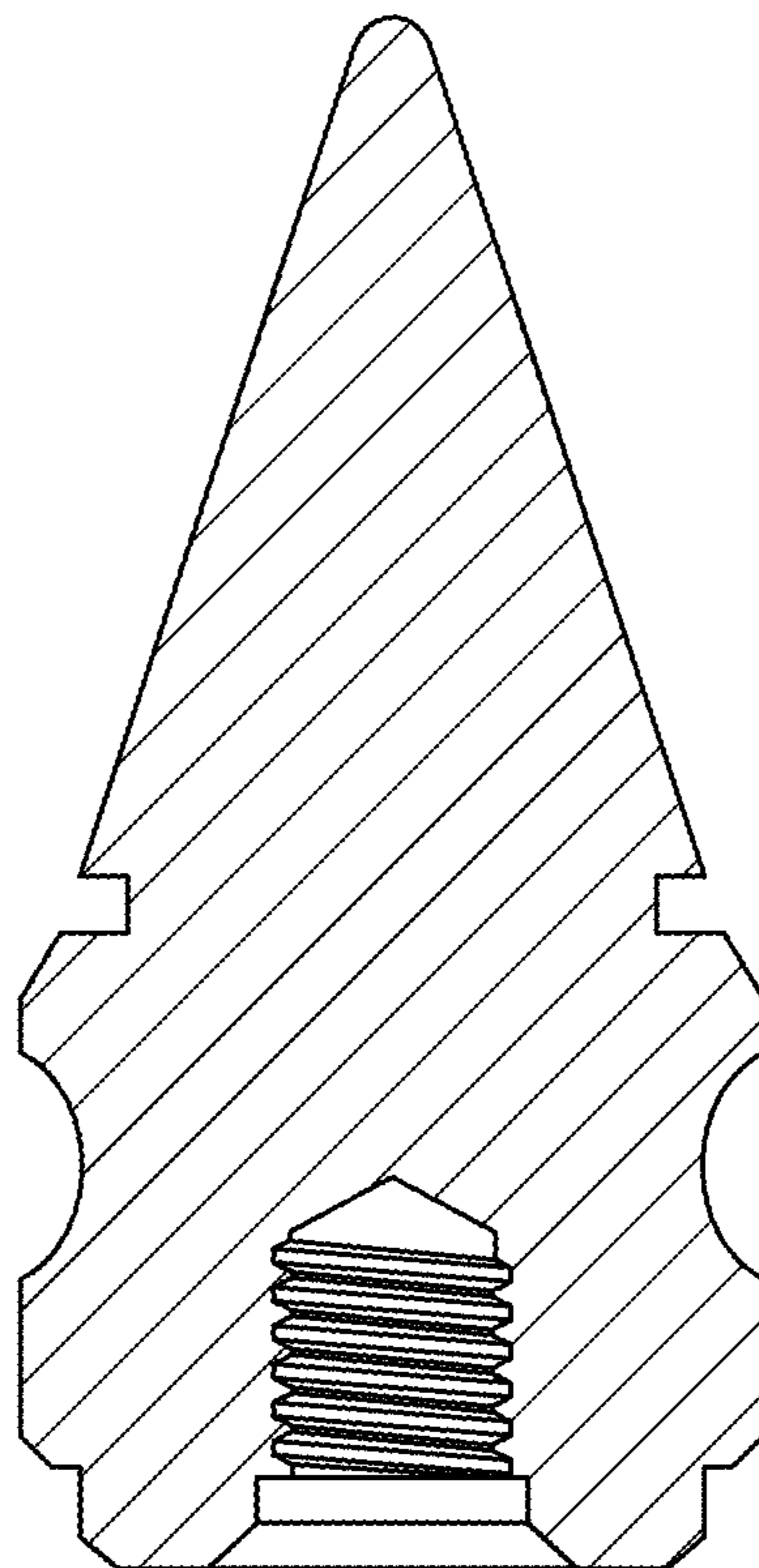


FIG. 6