



US00D793853S

(12) **United States Design Patent**
Baiz et al.

(10) **Patent No.:** **US D793,853 S**

(45) **Date of Patent:** **** Aug. 8, 2017**

(54) **LUG NUT CAP**

(71) Applicants: **Enrique J. Baiz**, Miramar, FL (US);
Oswaldo Izquierdo, Homestead, FL (US)

(72) Inventors: **Enrique J. Baiz**, Miramar, FL (US);
Oswaldo Izquierdo, Homestead, FL (US)

(**) Term: **15 Years**

(21) Appl. No.: **29/577,161**

(22) Filed: **Sep. 9, 2016**

(51) **LOC (10) Cl.** **08-08**

(52) **U.S. Cl.**
USPC **D8/397**

(58) **Field of Classification Search**
USPC D8/397, 394, 382, 349, 387; 411/427;
D23/260; D9/399
CPC A61B 17/0401; E04D 13/1476; E04G
25/065; F16B 41/002; F16B 23/0061;
F16B 37/14; F16B 35/00
See application file for complete search history.

(56) **References Cited**

U.S. PATENT DOCUMENTS

| | | | |
|---------------|---------|----------|--------------------------|
| D22,813 S * | 9/1893 | Rouse | 411/190 |
| 1,607,273 A * | 11/1926 | Hecht | F16B 39/36 301/35.622 |
| D134,789 S * | 1/1943 | Gade | 411/276 |
| D219,426 S * | 12/1970 | Ginsberg | D8/397 |
| 4,369,012 A * | 1/1983 | Bailet | A47B 57/265 411/265 |
| D269,589 S * | 7/1983 | Nakama | D8/356 |

| | | | |
|---------------|---------|------------|-----------------------|
| D368,020 S * | 3/1996 | Shirai | D8/397 |
| D416,192 S * | 11/1999 | Tu | D8/397 |
| 5,980,180 A * | 11/1999 | Schiess | F16B 21/18 411/339 |
| D551,269 S * | 9/2007 | Burke, III | D15/139 |
| D634,343 S * | 3/2011 | Burke, III | D15/139 |
| D637,901 S * | 5/2011 | Hinton | D8/397 |
| D684,455 S * | 6/2013 | Relyea | D8/397 |
| D713,243 S * | 9/2014 | Hsu | D8/397 |
| D787,927 S * | 5/2017 | Baiz | D8/397 |

* cited by examiner

Primary Examiner — Cynthia Underwood

(74) *Attorney, Agent, or Firm* — Quickpatents, LLC;
Kevin Prince

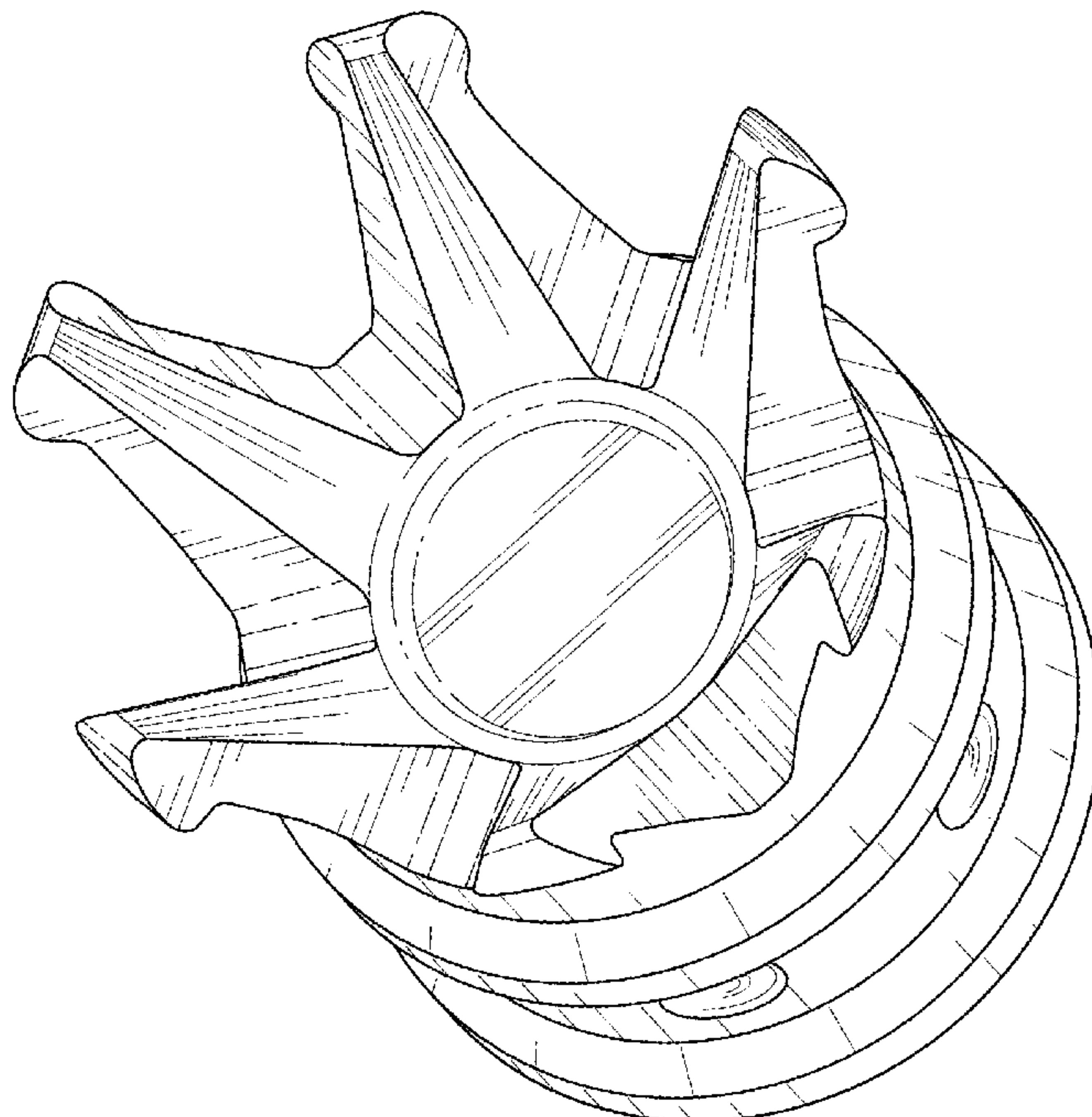
(57) **CLAIM**

We claim the ornamental design for a lug nut cap, as shown and described.

DESCRIPTION

FIG. 1 is a top perspective view of a lug nut cap, showing our new design;
FIG. 2 is a bottom perspective view thereof;
FIG. 3 is a front elevational view thereof, the rear elevational view being a mirror image thereof;
FIG. 4 is a left-side elevational view thereof, the right-side elevational view being a mirror image thereof;
FIG. 5 is a top plan view thereof;
FIG. 6 is a bottom plan view thereof; and,
FIG. 7 is a cross-sectional view thereof, taken along lines 7-7 of FIG. 5.

1 Claim, 5 Drawing Sheets



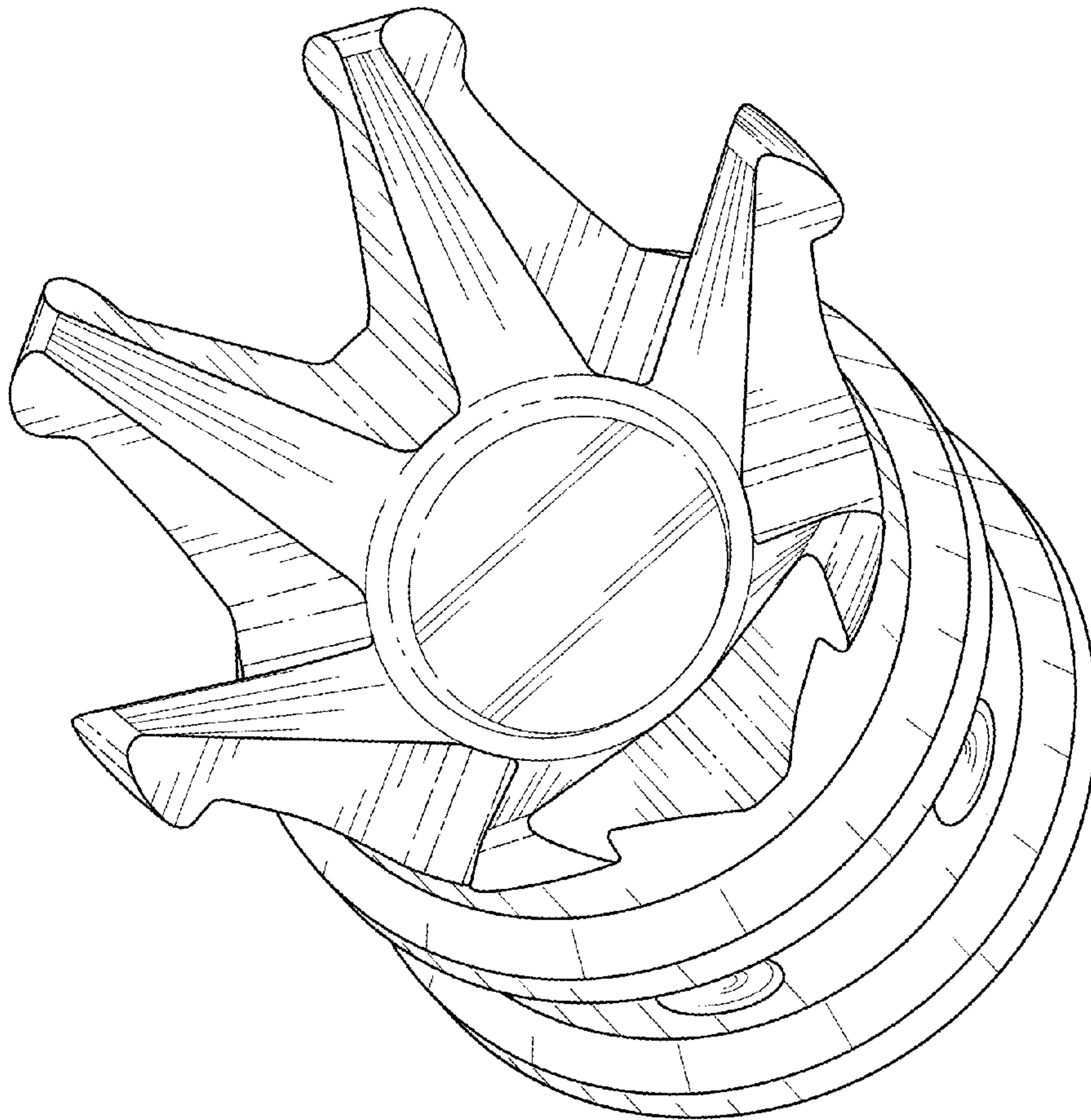


FIG. 1

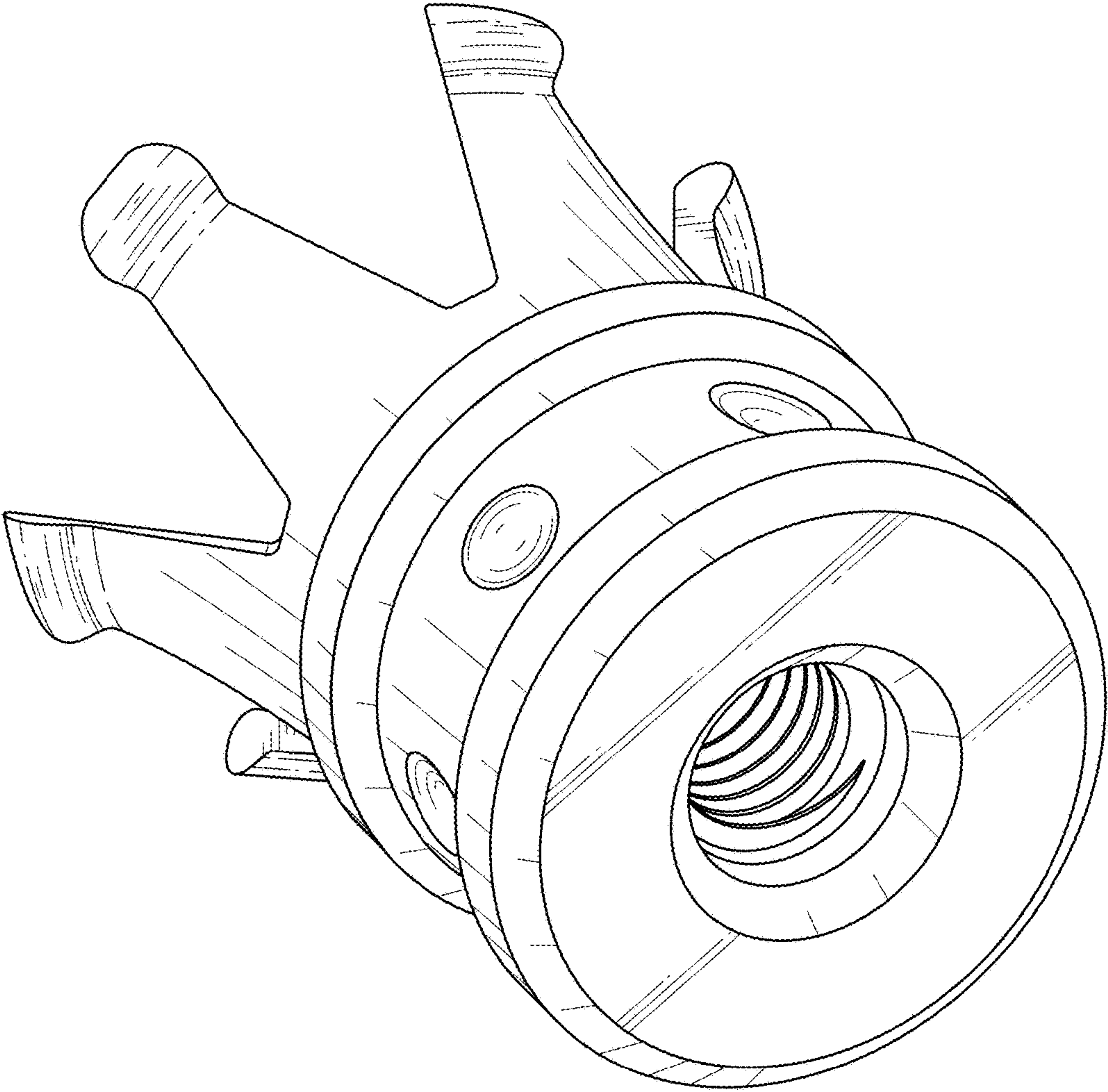


FIG. 2

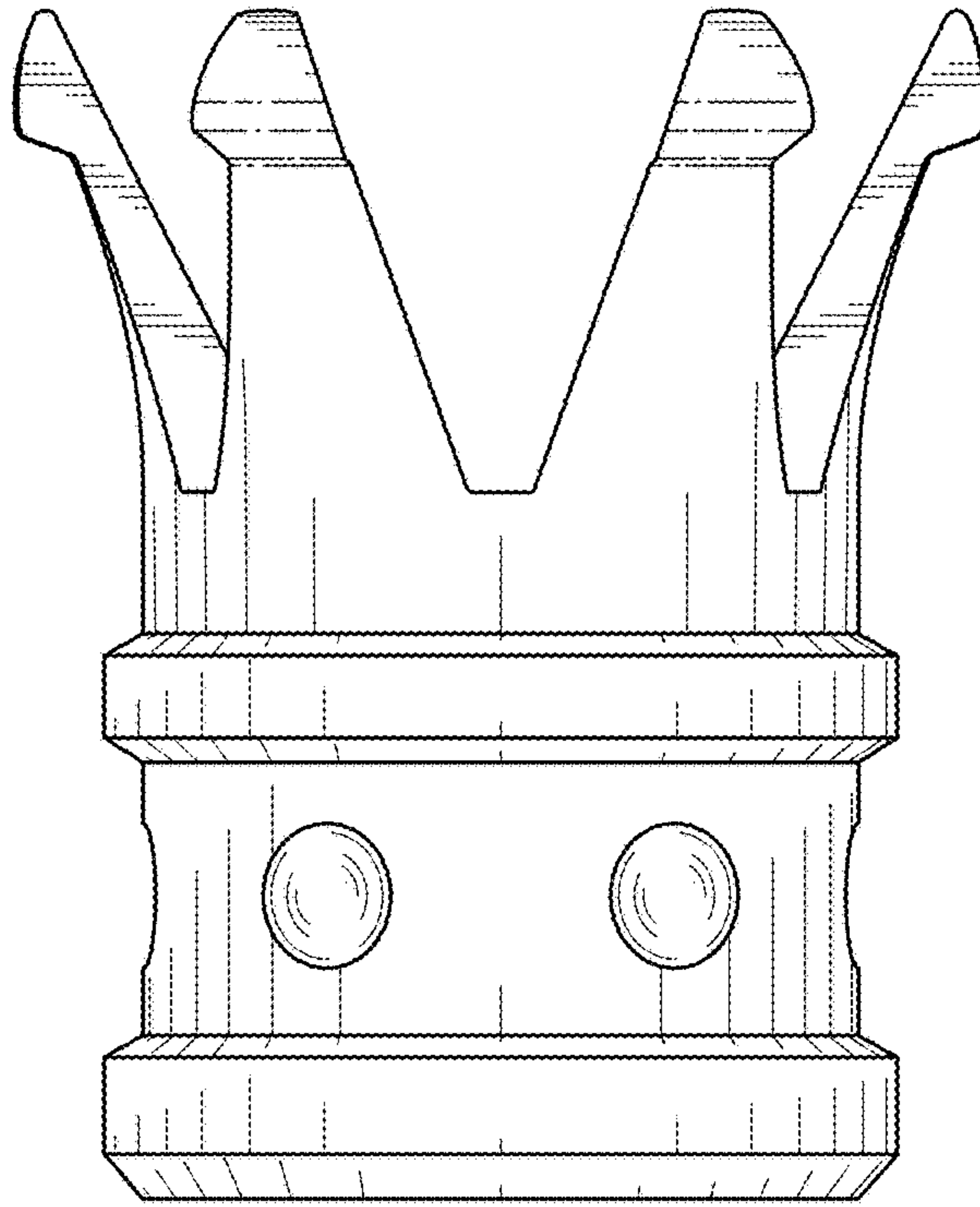


FIG. 3

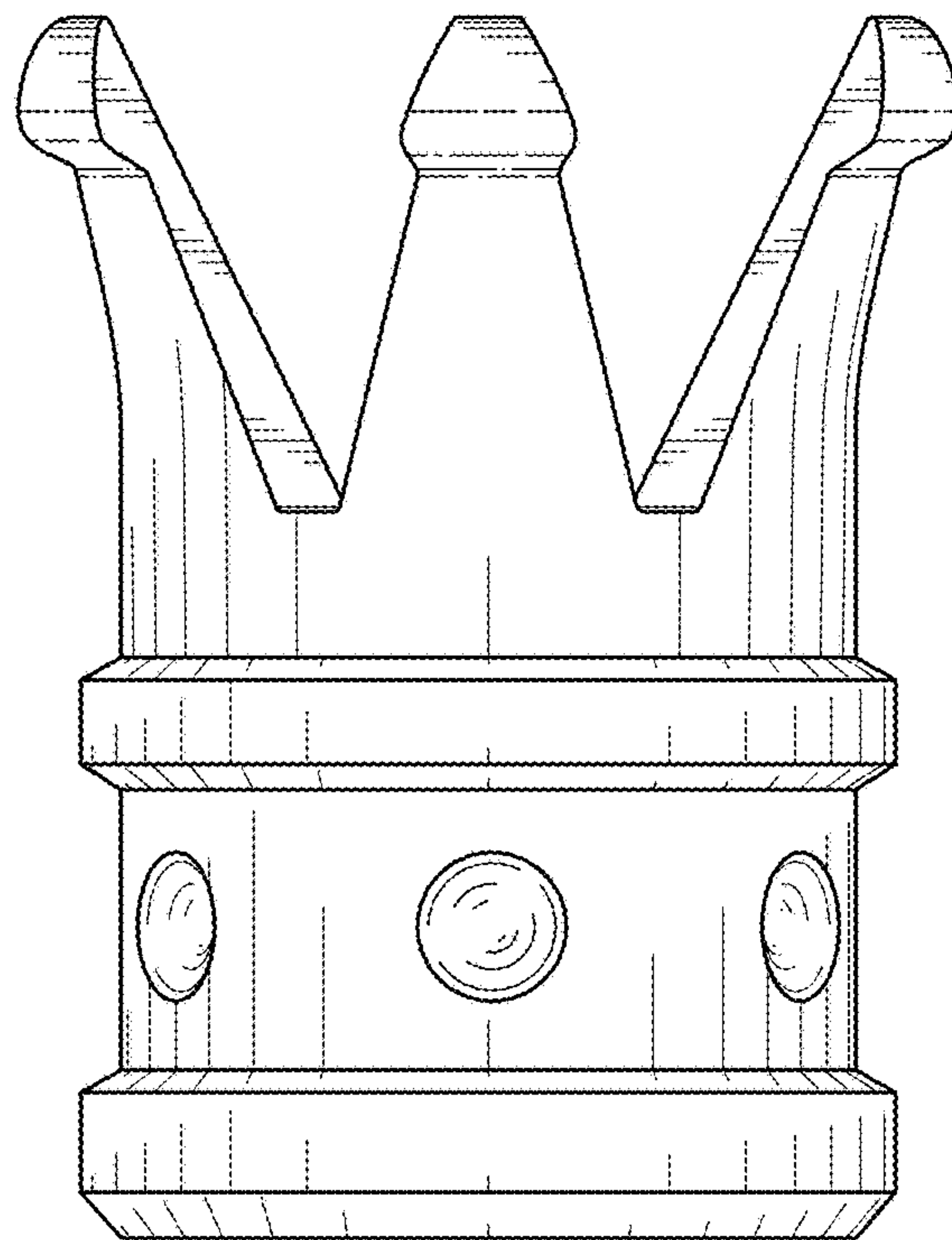


FIG. 4

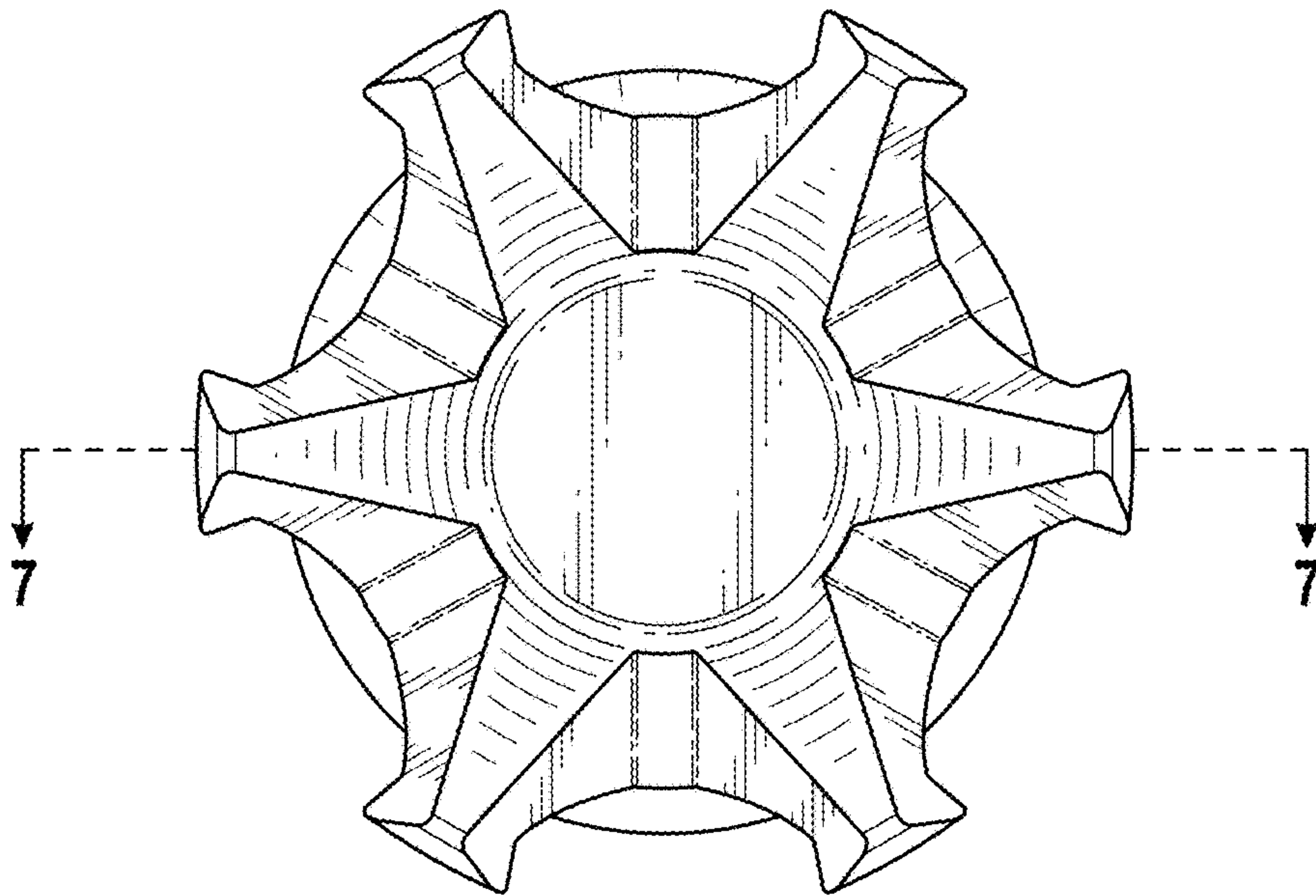


FIG. 5

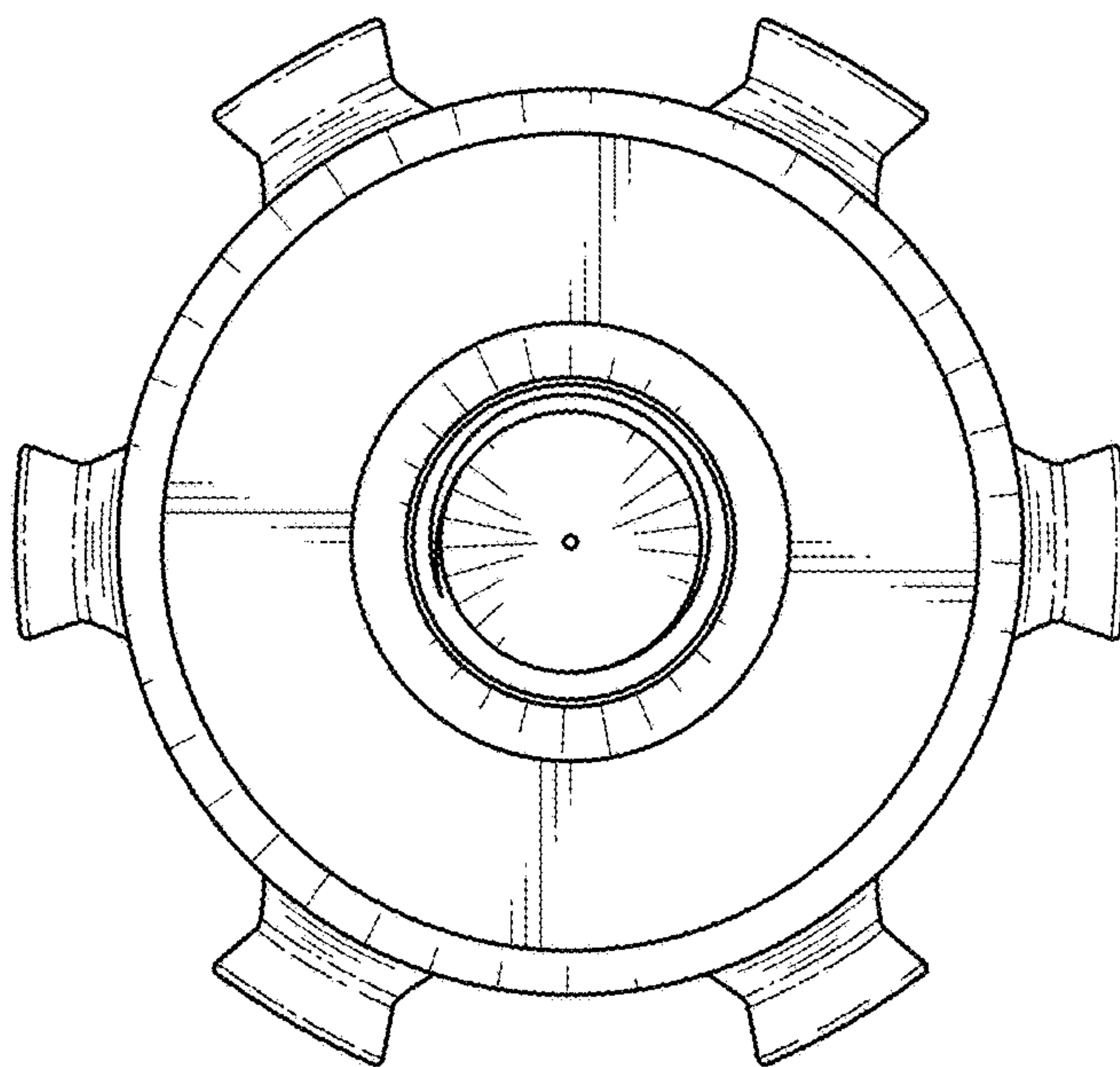


FIG. 6

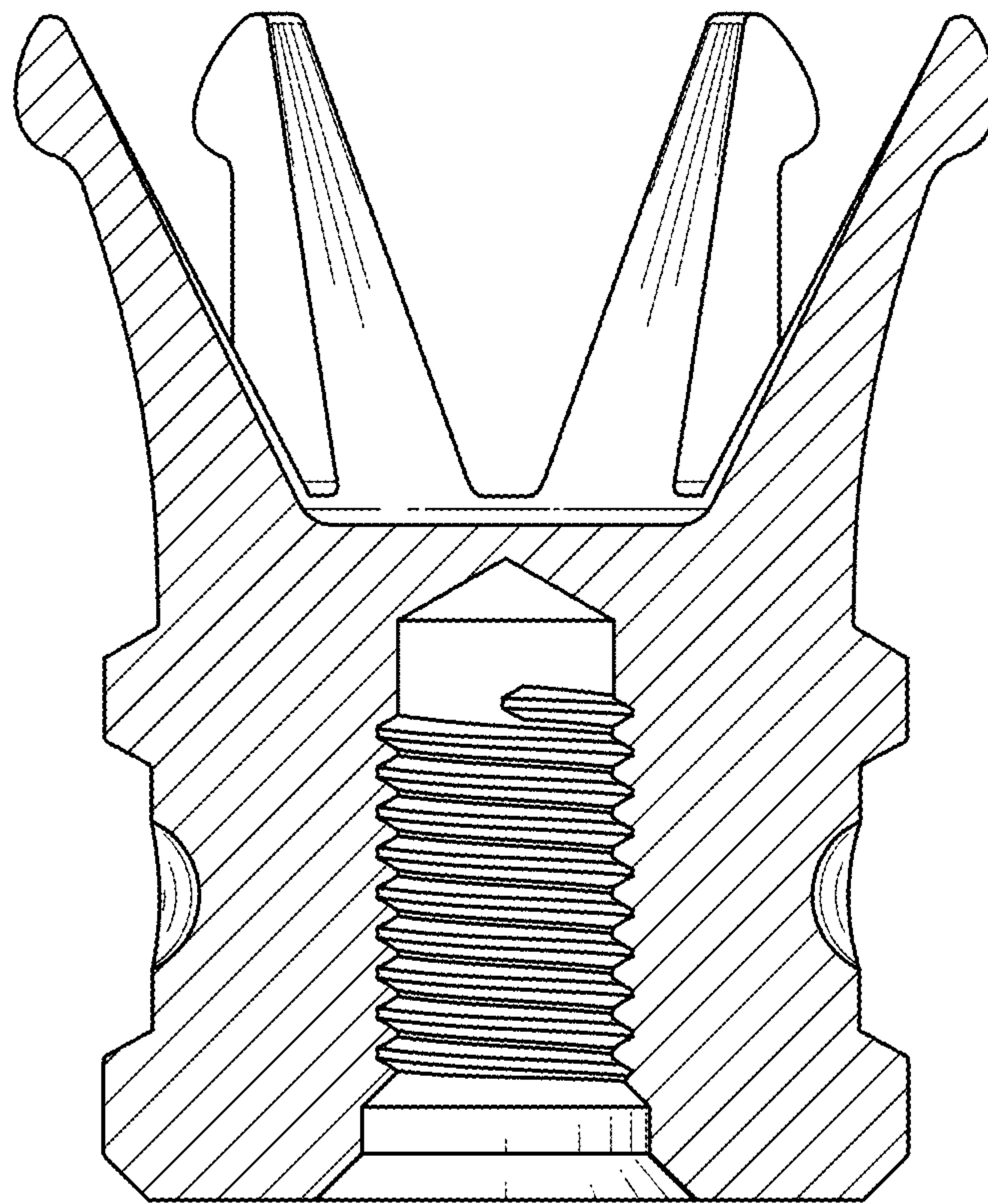


FIG. 7