



US00D793852S

(12) **United States Design Patent** (10) **Patent No.:** **US D793,852 S**
Rathman (45) **Date of Patent:** **** Aug. 8, 2017**

- (54) **TOOL HOLDER**
- (71) Applicant: **WINSTON PRODUCTS LLC**,
Cleveland, OH (US)
- (72) Inventor: **David Edward Birn Rathman**,
Cleveland, OH (US)
- (73) Assignee: **Winston Products, LLC**, Cleveland,
OH (US)
- (**) Term: **15 Years**
- (21) Appl. No.: **29/543,656**
- (22) Filed: **Oct. 27, 2015**
- (51) **LOC (10) Cl.** **08-08**
- (52) **U.S. Cl.**
USPC **D8/395**
- (58) **Field of Classification Search**
USPC D8/72, 73, 74, 330, 355, 394-396;
D24/127, 128; D15/140; 269/315, 330,
269/303, 95, 166, 6, 3, 143, 249;
D22/108; 248/499
CPC F16B 2/12; F16B 2/185; F16B 1/00; F16B
2/18; F16B 2/02; F16B 5/02; B25B
5/102; B25B 5/02; B25B 7/16; B25B
7/18; B25B 5/06; B25B 5/068; B25B
5/082; B25B 5/107; B25B 1/103; B25B
5/101; B25B 1/2484; B25B 27/02
See application file for complete search history.

D677,140 S *	3/2013	Krohmer	D8/72
8,844,918 B1 *	9/2014	Milligan	B25B 5/102 269/303
D743,244 S *	11/2015	Anderson	D8/394
D753,990 S *	4/2016	Swan	D8/395
9,308,634 B1 *	4/2016	Adams	B25B 5/068
9,393,089 B1 *	7/2016	Al-Shehri	F16B 2/065
D773,280 S *	12/2016	Rathman	D8/330
2015/0060629 A1 *	3/2015	Schmier, II	F16B 2/065 248/499

* cited by examiner

Primary Examiner — Cynthia Ramirez

Assistant Examiner — Michael Maharajh

(74) *Attorney, Agent, or Firm* — Tucker Ellis LLP

(57) **CLAIM**

The ornamental design for a tool holder, as shown and described.

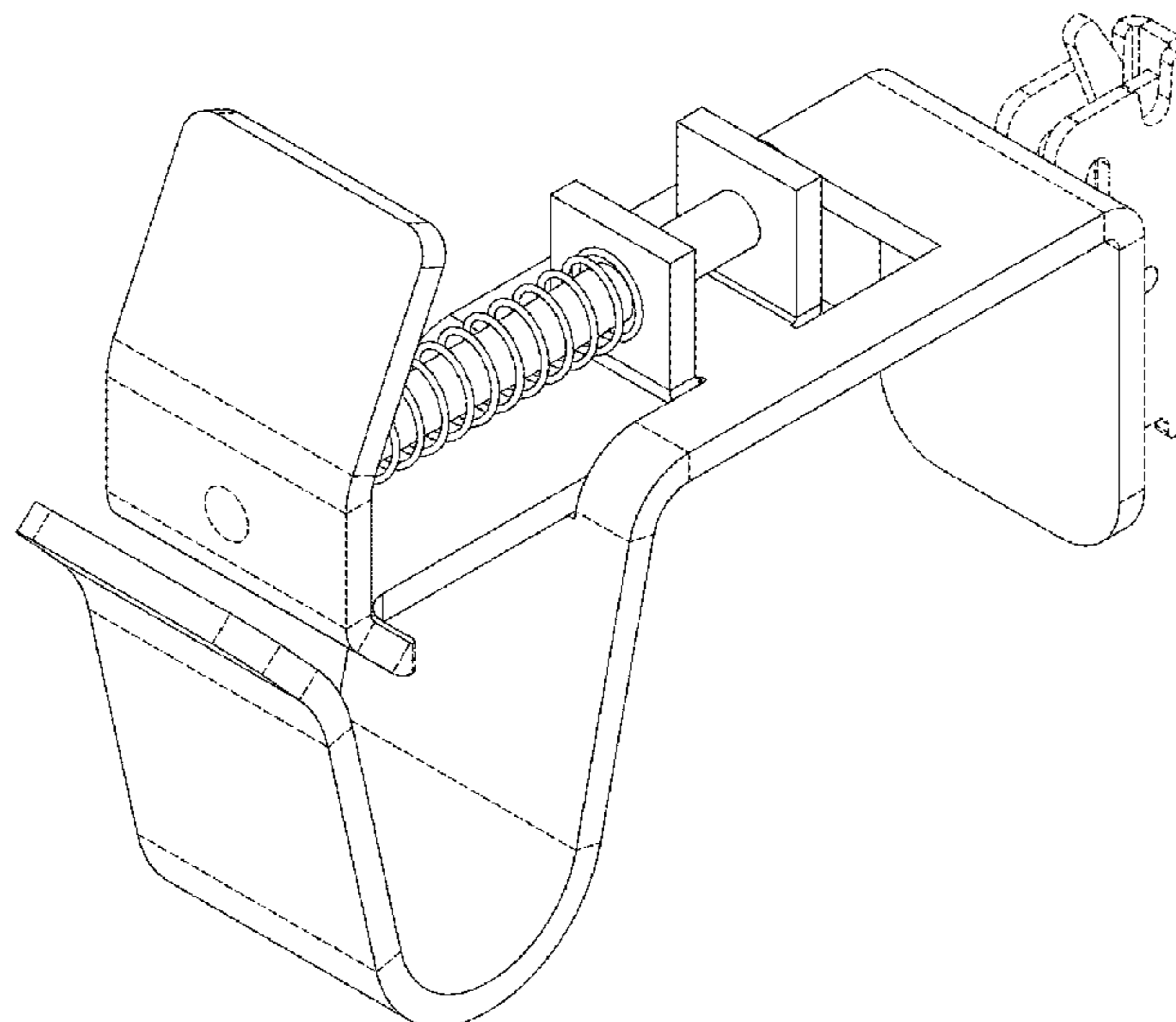
DESCRIPTION

FIG. 1 is a perspective view of a tool holder showing my new design;
 FIG. 2 is a rear elevational view thereof;
 FIG. 3 is front elevational view thereof;
 FIG. 4 is a left side elevational view thereof, shown in a smaller scale;
 FIG. 5 is a right side elevational view thereof, shown in a smaller scale;
 FIG. 6 is a top plan view thereof, shown in a smaller scale;
 and,
 FIG. 7 is a bottom plan view thereof, shown in a smaller scale.

The broken lines shown in the figures are for the purposes of illustrating portions of the tool holder and form no part of the claimed designed.

1 Claim, 4 Drawing Sheets

- (56) **References Cited**
U.S. PATENT DOCUMENTS
D547,643 S * 7/2007 Ratajczek D8/395
D619,441 S * 7/2010 Yang D8/72
D646,543 S * 10/2011 Galle D8/74
D653,514 S * 2/2012 Wenning D8/72



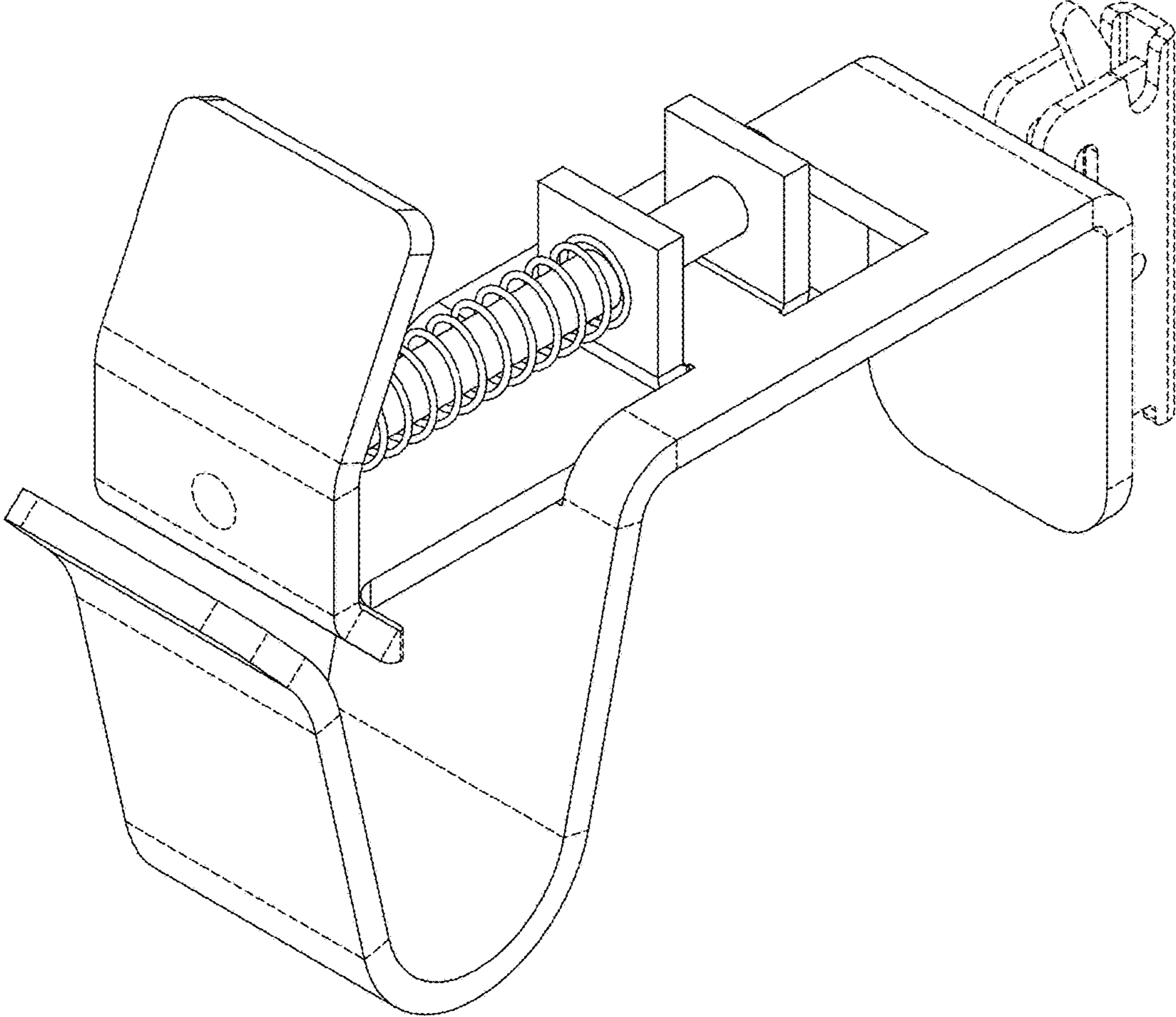


FIG. 1

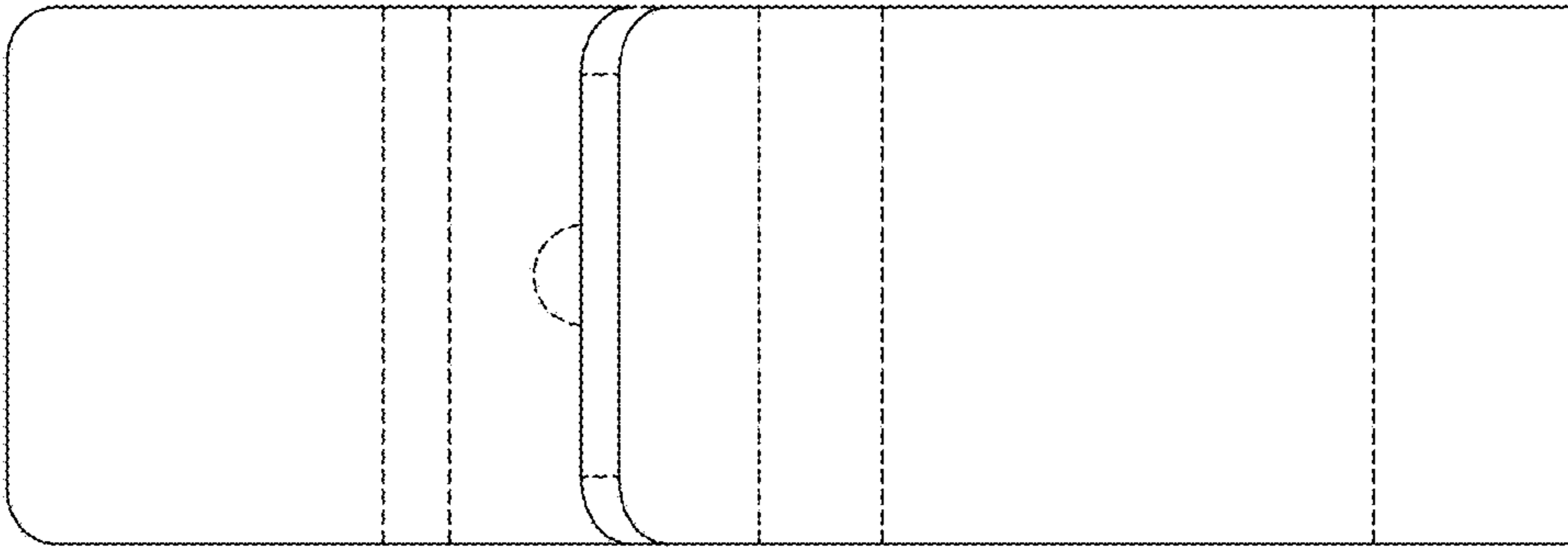


FIG. 3

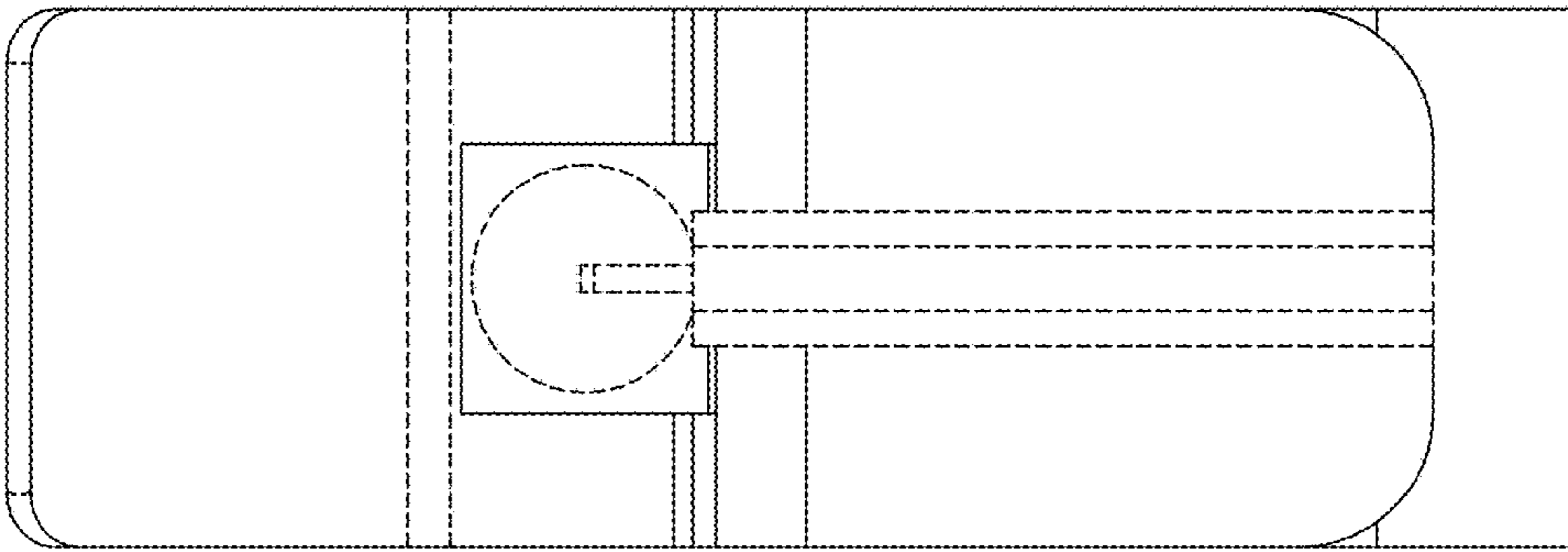


FIG. 2

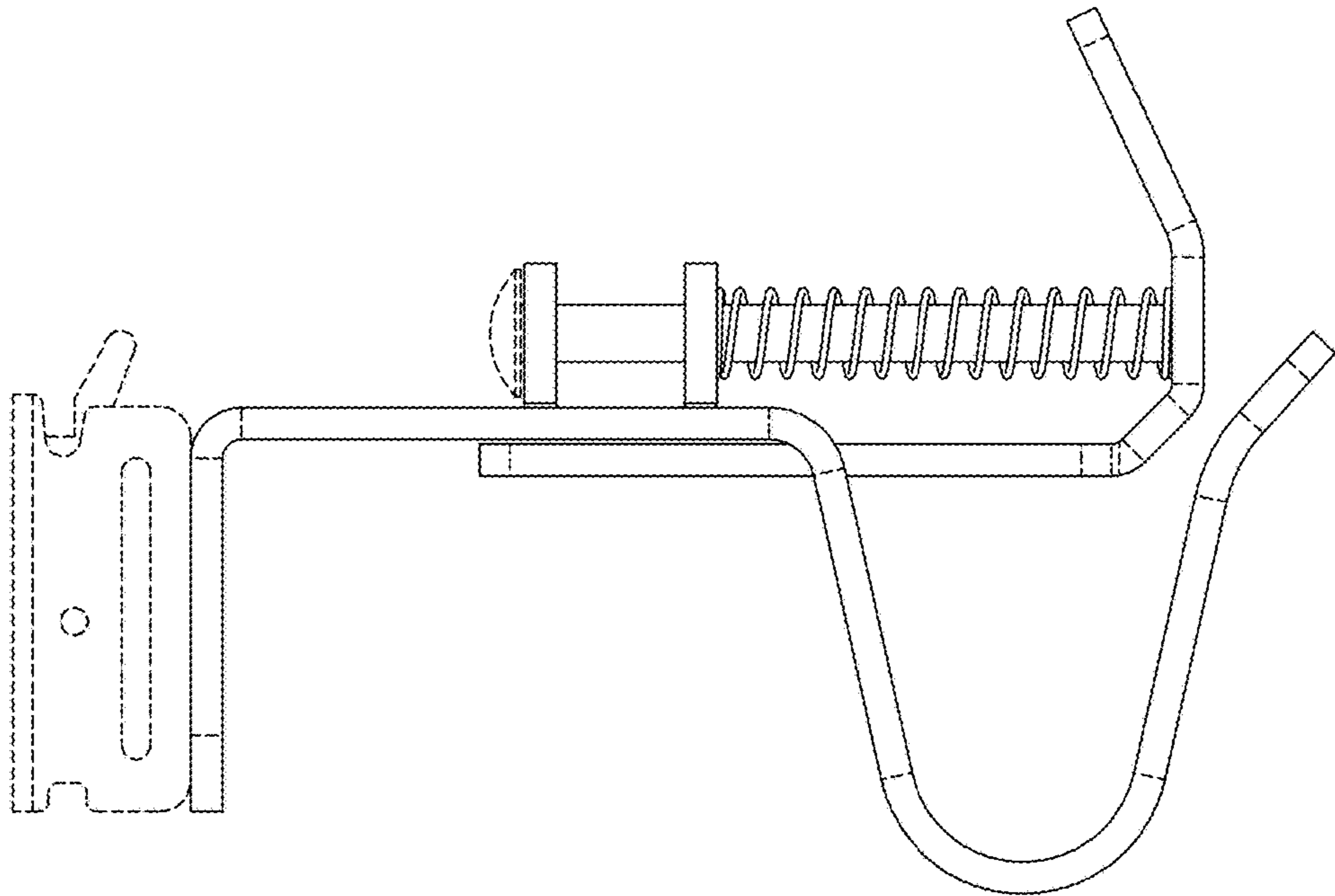


FIG. 4

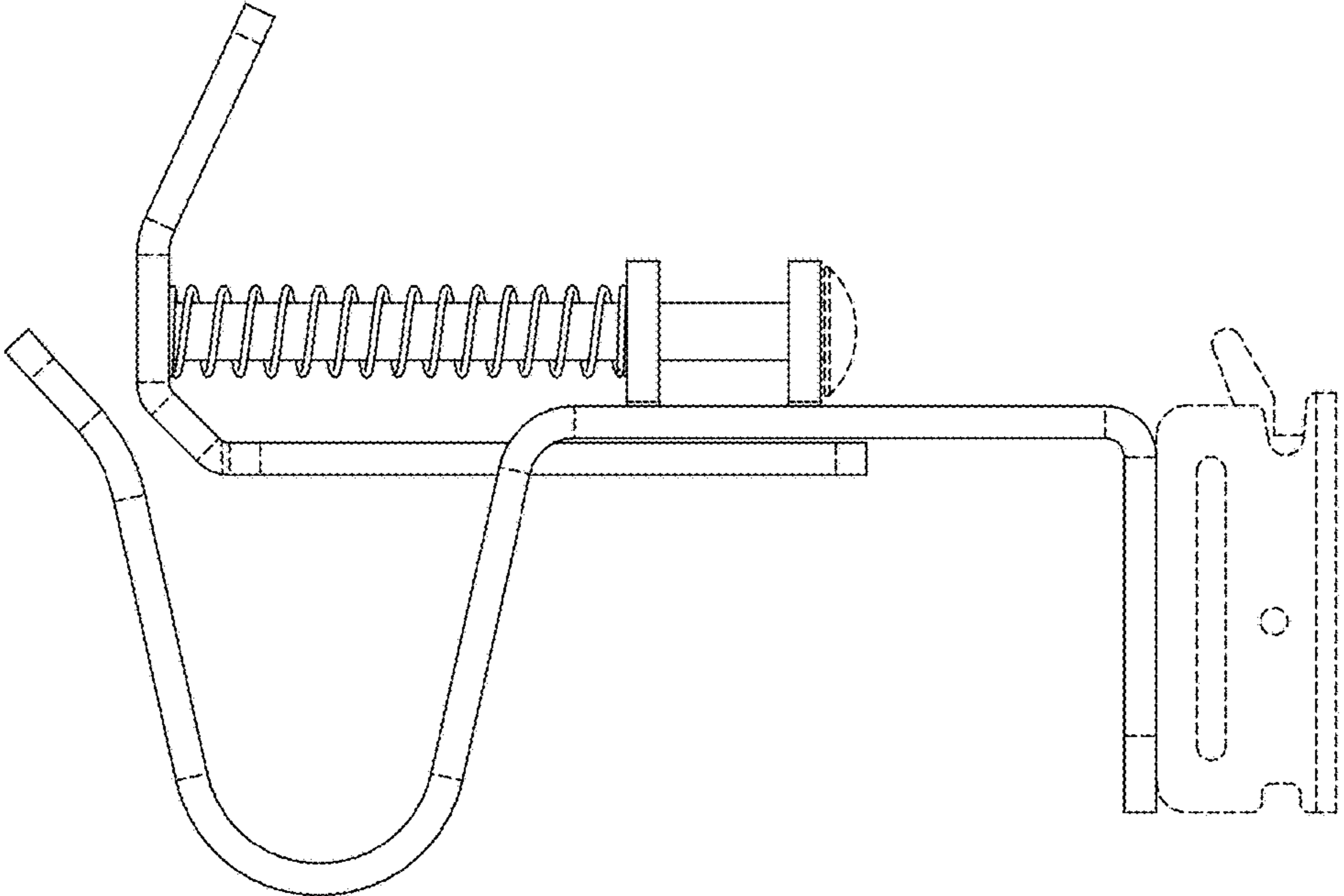


FIG. 5

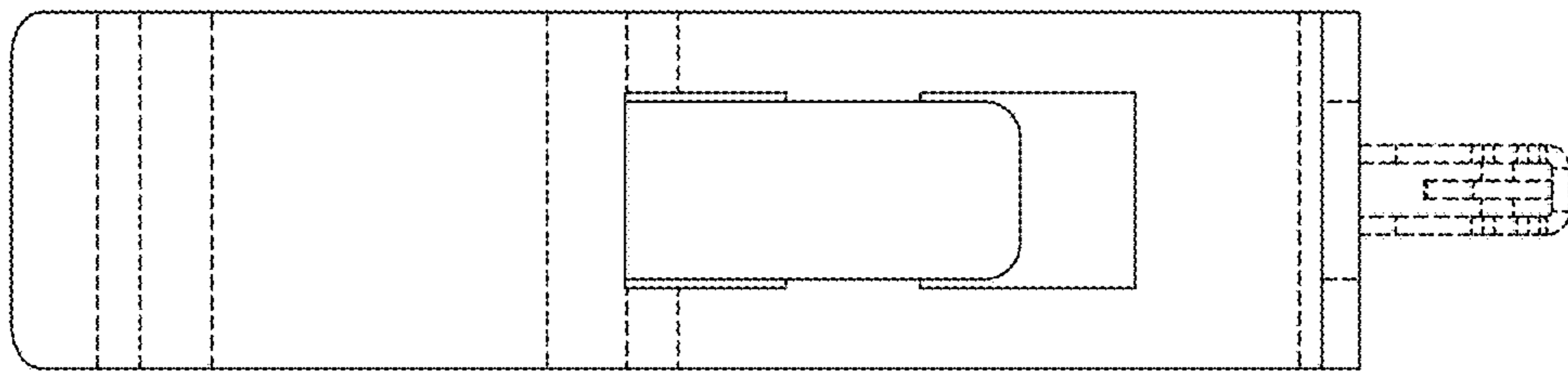


FIG. 7

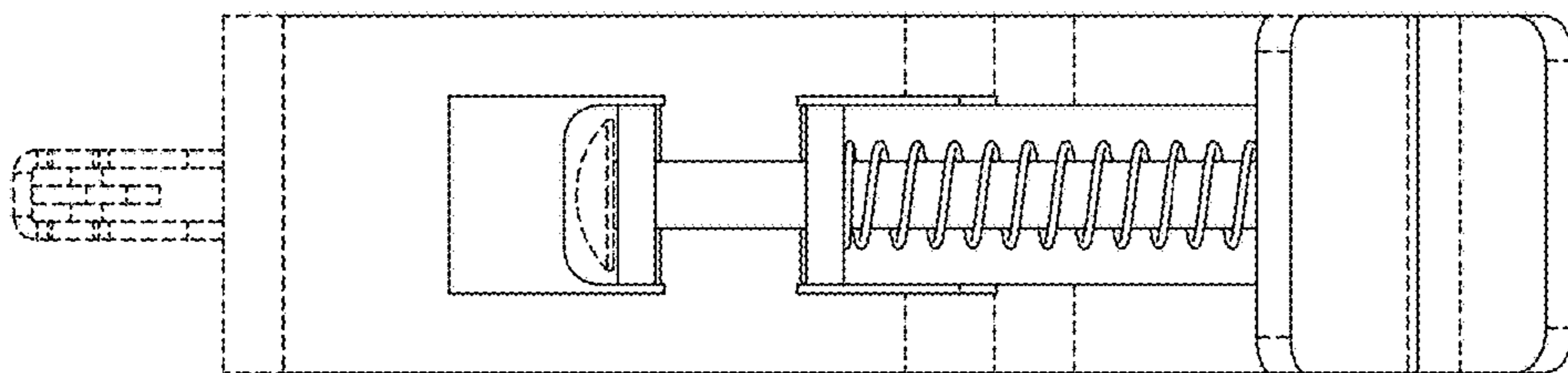


FIG. 6