



US00D793851S

(12) **United States Design Patent** (10) **Patent No.:** **US D793,851 S**  
**Mann** (45) **Date of Patent:** **\*\* Aug. 8, 2017**

- (54) **CLAMP WITH REPLACEABLE NUT**
- (71) Applicant: **Servi-Sure, LLC**, Chicago, IL (US)
- (72) Inventor: **Ronald B. Mann**, Highland Park, IL (US)
- (73) Assignee: **Servi-Sure, LLC**, Chicago, IL (US)
- (\*\*) Term: **15 Years**
- (21) Appl. No.: **29/544,737**
- (22) Filed: **Nov. 5, 2015**
- (51) **LOC (10) Cl.** ..... **08-08**
- (52) **U.S. Cl.**  
USPC ..... **D8/394**
- (58) **Field of Classification Search**  
USPC ..... D8/71-74, 355, 356, 394-399  
CPC ..... B23H 11/003; B25B 5/00; B25B 5/02;  
B25B 5/067  
See application file for complete search history.

- D378,343 S \* 3/1997 Macor ..... D8/73
- D436,512 S \* 1/2001 Santner ..... D8/354
- D484,399 S \* 12/2003 Arthur ..... D8/394
- D504,609 S \* 5/2005 Ferguson ..... D8/354
- 6,930,272 B1 \* 8/2005 Limano ..... B23H 11/003  
219/69.12
- D616,276 S \* 5/2010 Friegang ..... D8/72
- D658,977 S \* 5/2012 Riddell ..... D8/394
- D736,585 S \* 8/2015 Furey ..... D8/72
- D756,211 S \* 5/2016 Downs ..... D8/395

\* cited by examiner

*Primary Examiner* — Melanie H Tung  
*Assistant Examiner* — Bao-Yen Nguyen  
(74) *Attorney, Agent, or Firm* — Knobbe, Martens, Olson & Bear, LLP

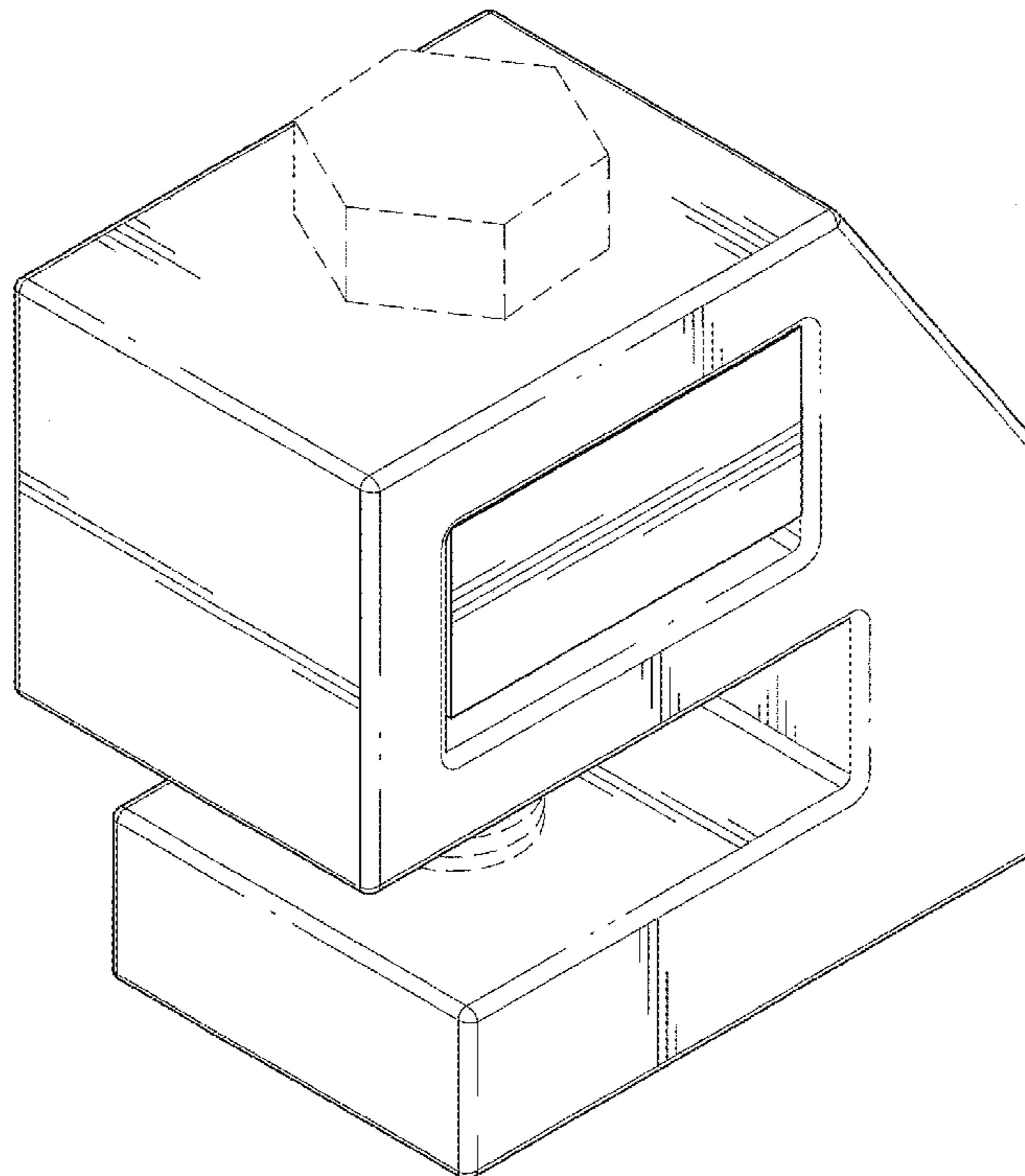
(57) **CLAIM**  
The ornamental design for a clamp with replaceable nut, as shown and described.

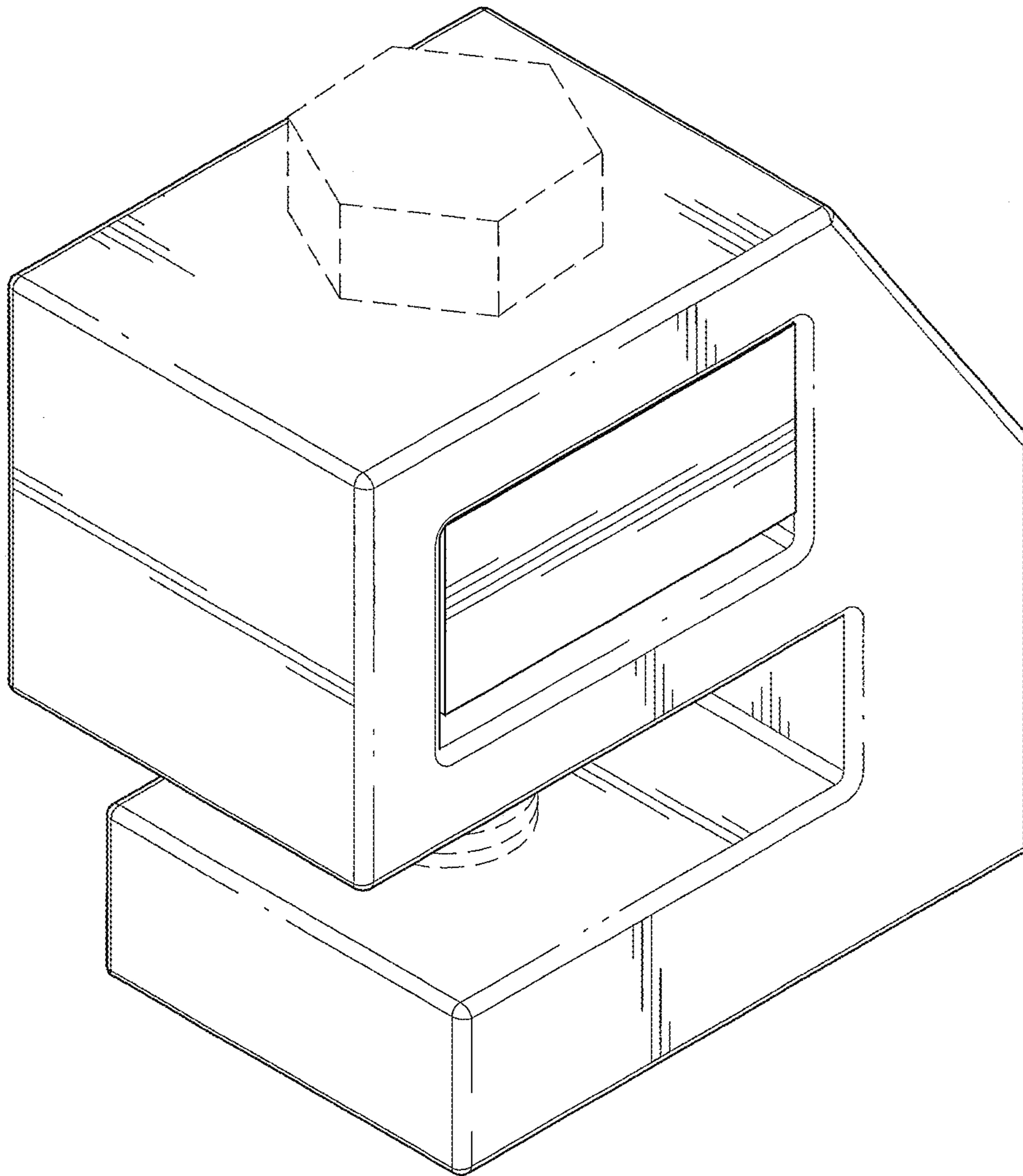
**DESCRIPTION**

FIG. 1 is a front perspective view of the clamp with replaceable nut of the present design; FIG. 2 is a front elevational view thereof; FIG. 3 is a rear elevational view thereof; FIG. 4 is a right side elevational view thereof, the left side elevational view being a mirror image thereof; FIG. 5 is a top plan view thereof; FIG. 6 is a bottom plan view thereof; and, FIG. 7 is a front perspective exploded view thereof. The broken lines that represent a bolt and portions of the clamp form no part of the claimed design.

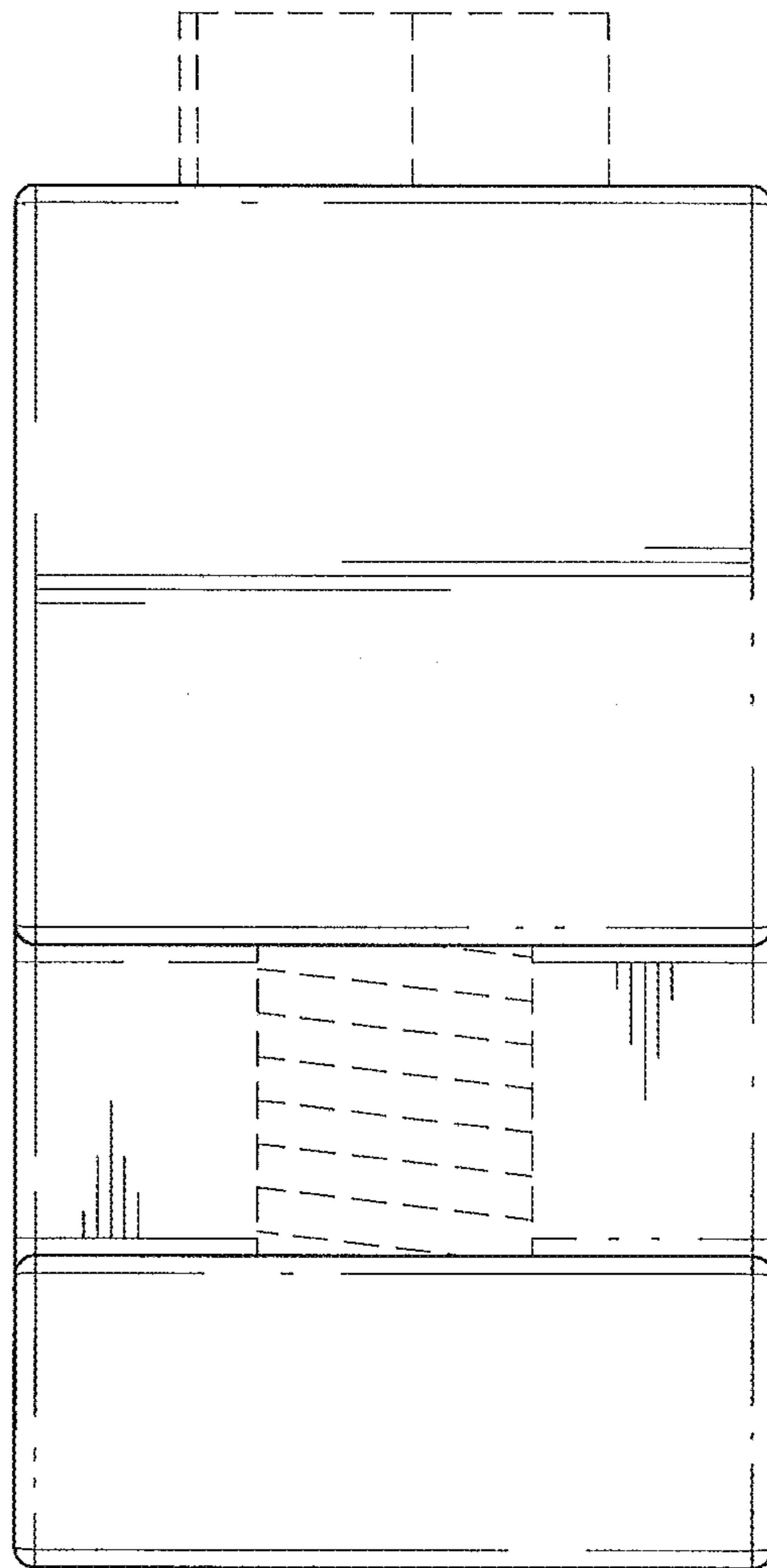
**1 Claim, 7 Drawing Sheets**

- (56) **References Cited**  
U.S. PATENT DOCUMENTS  
3,157,078 A \* 11/1964 Powers ..... B23B 29/04  
82/158  
4,227,307 A \* 10/1980 Tassoni ..... E04F 21/18  
33/41.6  
D300,748 S \* 4/1989 Jarman ..... D15/199  
D318,409 S \* 7/1991 Garrett ..... D8/72  
D371,497 S \* 7/1996 Cottone ..... D8/72  
D375,031 S \* 10/1996 Cottone ..... D18/34.9

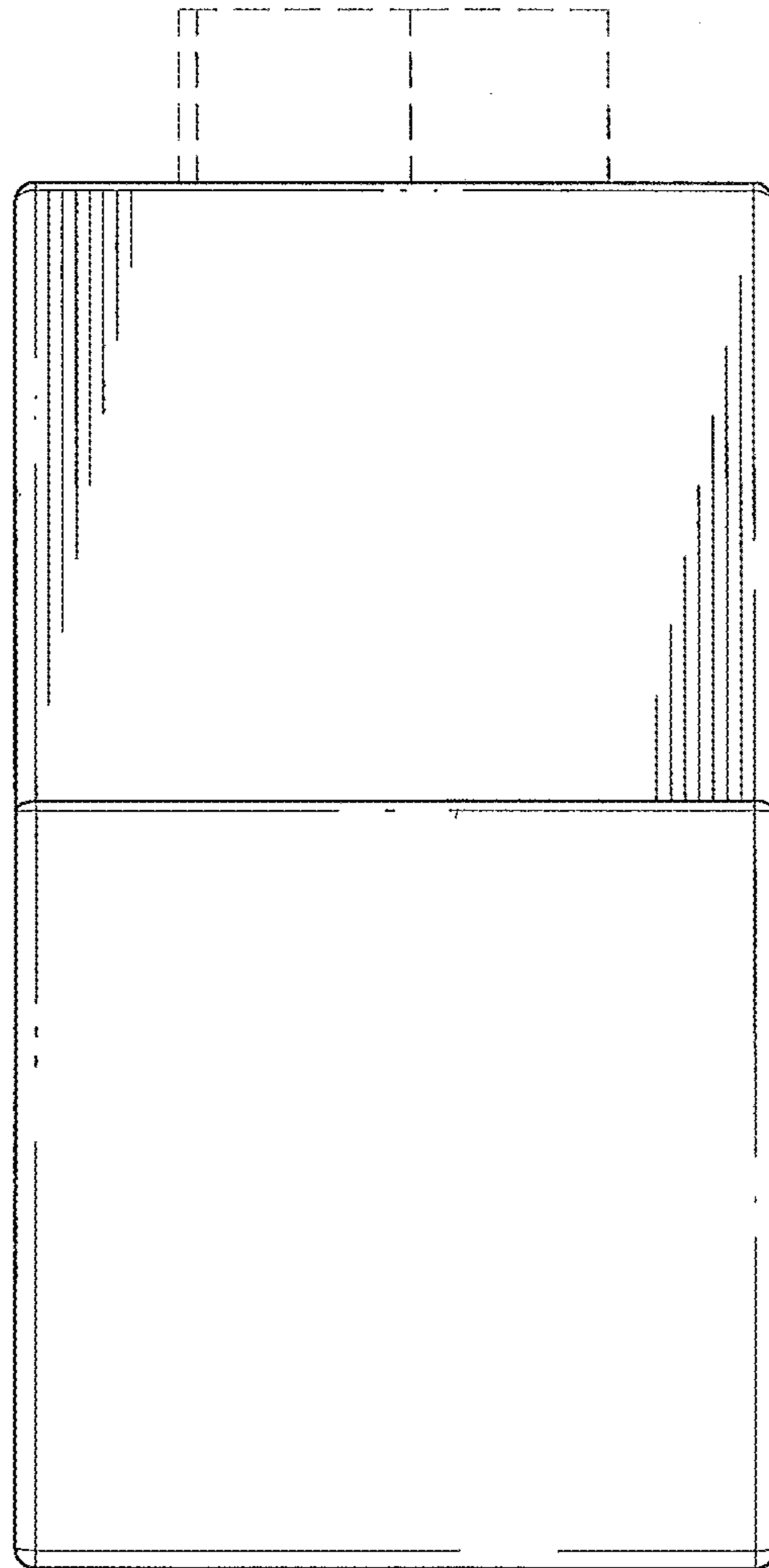




*FIG. 1*



*FIG. 2*



*FIG. 3*

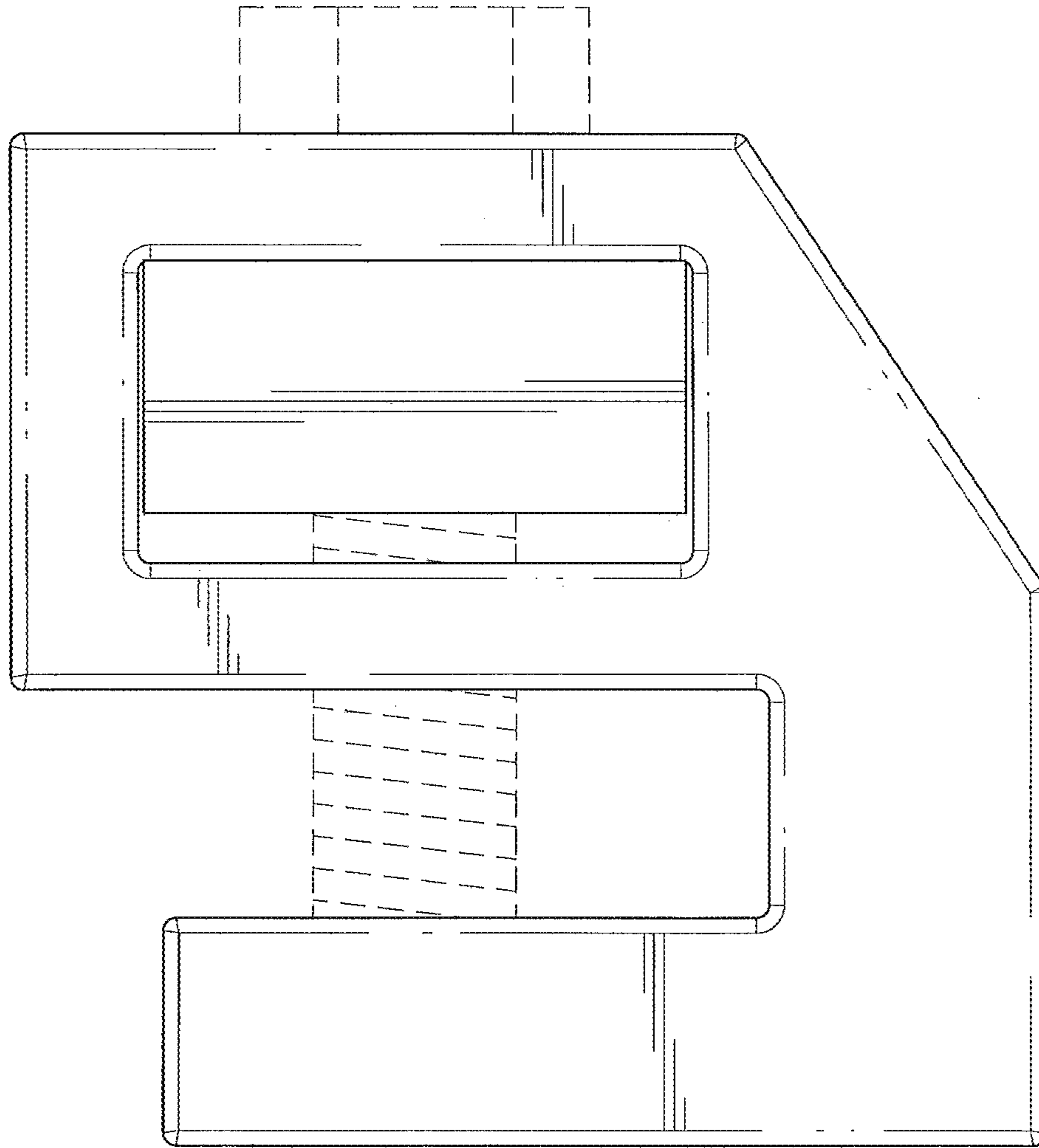
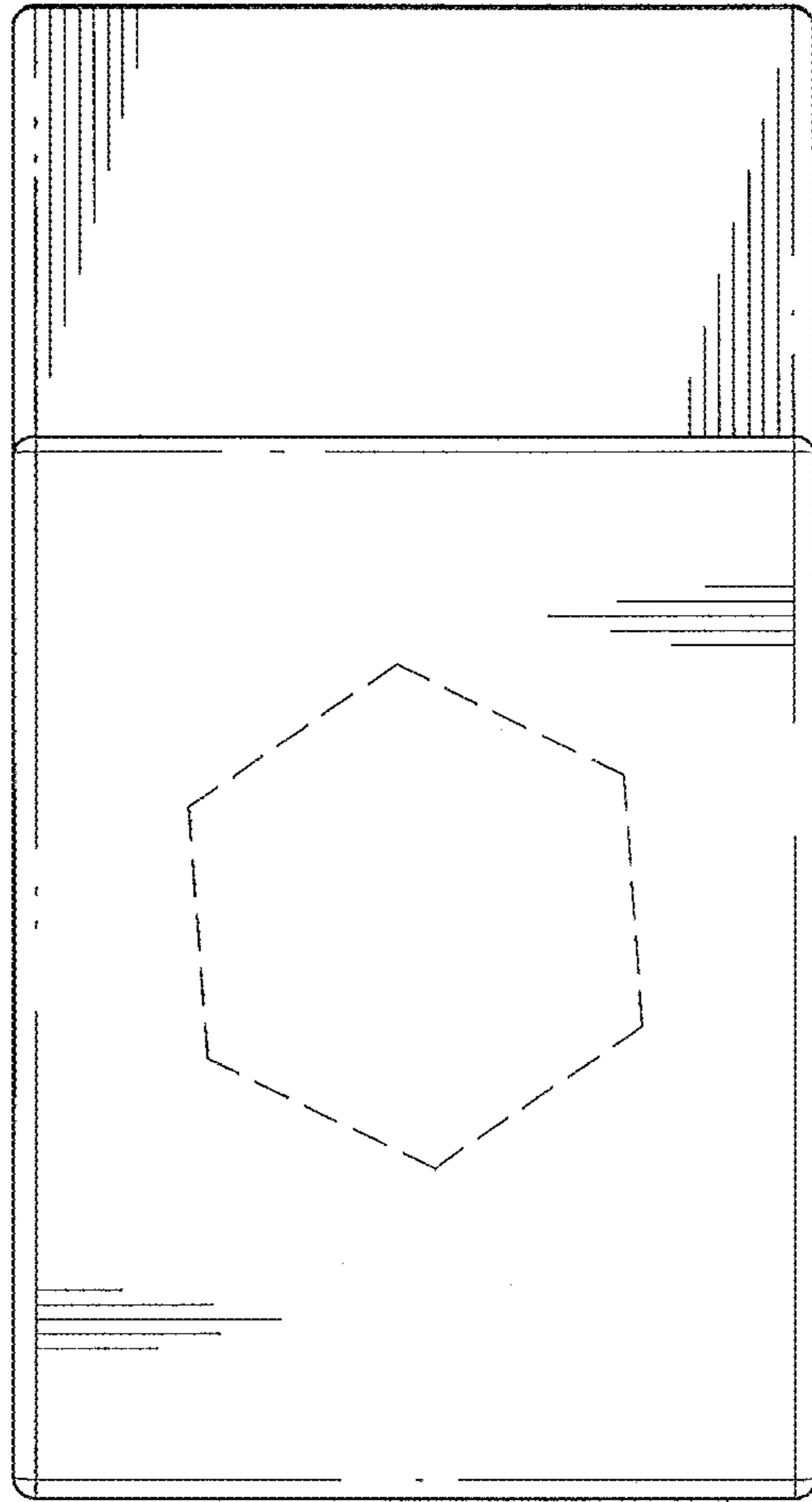
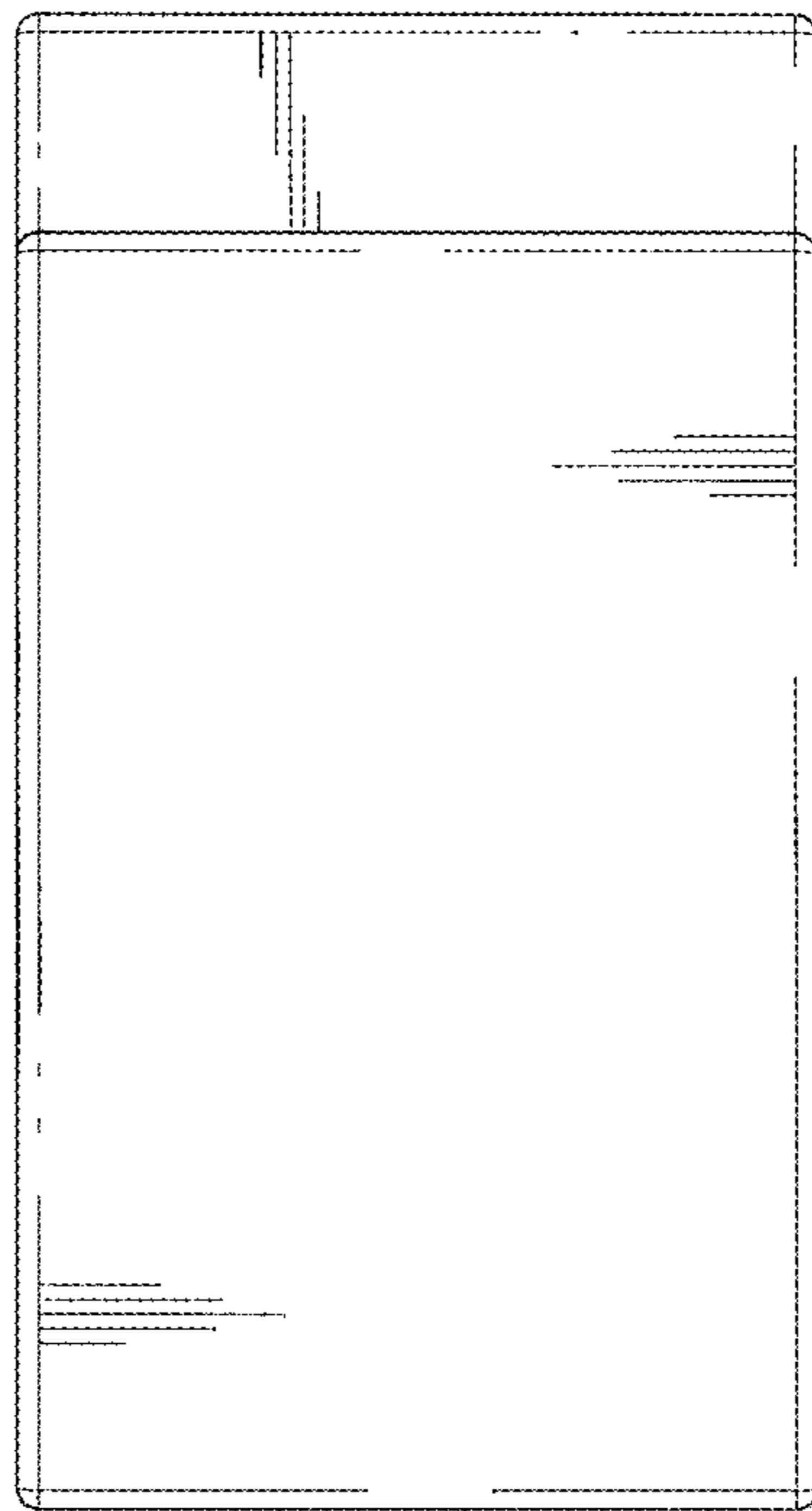


FIG. 4



*FIG. 5*



*FIG. 6*

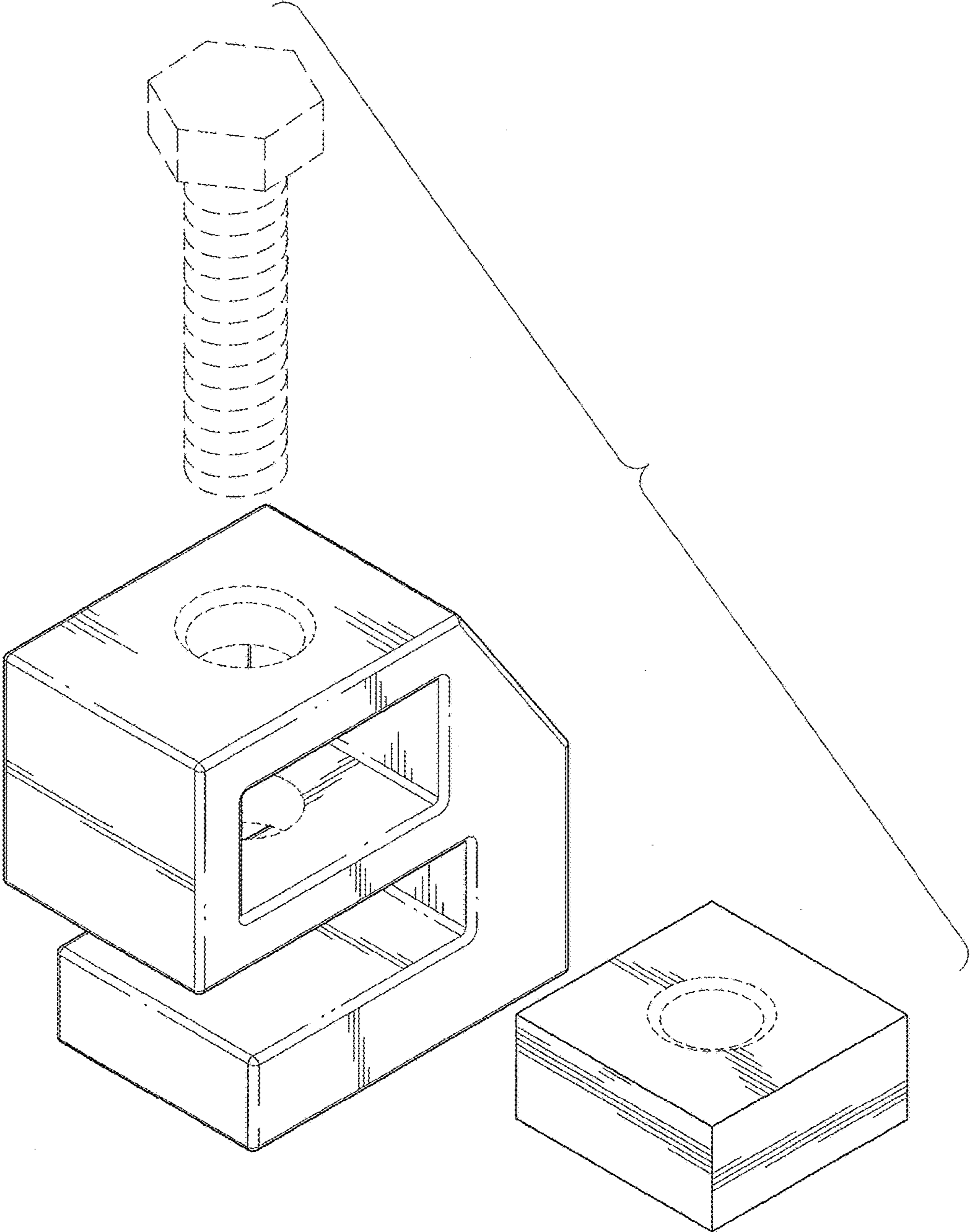


FIG. 7