



US00D793849S

(12) **United States Design Patent**
Bradley

(10) **Patent No.:** **US D793,849 S**

(45) **Date of Patent:** **** Aug. 8, 2017**

(54) **MULTIPLE POSITION SWING UP JUMP RAIL SUPPORT**

(71) Applicant: **Michael Morrison Bradley**,
Fayetteville, AR (US)

(72) Inventor: **Michael Morrison Bradley**,
Fayetteville, AR (US)

(**) Term: **15 Years**

(21) Appl. No.: **29/567,929**

(22) Filed: **Jun. 14, 2016**

(51) **LOC (10) Cl.** **08-05**

(52) **U.S. Cl.**
USPC **D8/380**

(58) **Field of Classification Search**
USPC D8/349, 354, 355, 363, 364, 372, 376,
D8/380, 381, 382; D25/39, 43, 38.1,
D25/48.3, 134; D30/199, 119, 114
CPC . A63K 3/046; A63K 3/04; A63K 1/02; A63K
3/043; A63K 1/00; A01K 15/027; A63B
5/02; A63B 1/005; A63B 2208/14; A63B
2244/088; A63B 2244/24; Y10T
403/4608; Y10T 403/7015; Y10T
29/49826

See application file for complete search history.

(56) **References Cited**

U.S. PATENT DOCUMENTS

3,209,729 A * 10/1965 Zedaker A63K 3/046
119/705
3,514,062 A * 5/1970 Gordon A63B 5/02
119/705

5,690,583 A * 11/1997 Keusch A63K 3/046
119/705
D615,386 S * 5/2010 Hardin D8/354
D684,034 S * 6/2013 Vaughan D8/349

* cited by examiner

Primary Examiner — Robert M Spear

Assistant Examiner — Eliza Bennett-Hattan

(74) *Attorney, Agent, or Firm* — Keisling & Pieper PLC;
Davis B. Pieper

(57) **CLAIM**

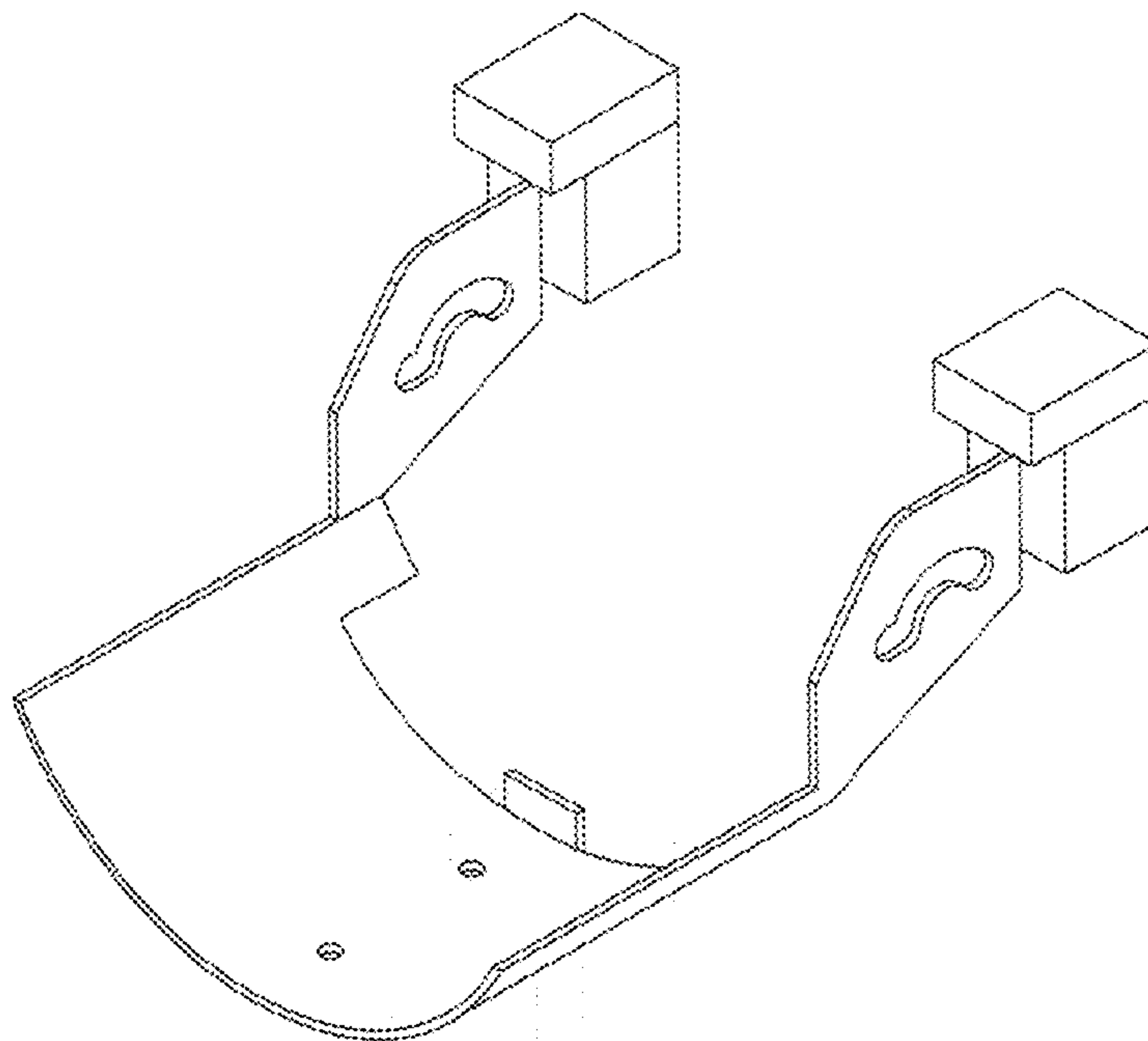
The ornamental design for a multiple position swing up jump rail support, as shown and described.

DESCRIPTION

FIG. 1 is a back elevational view showing my new design;
FIG. 2 is a left side elevational view thereof;
FIG. 3 is a top elevational view thereof;
FIG. 4 is a right side elevational view thereof;
FIG. 5 is a bottom elevational view thereof.
FIG. 6 is a front elevational view thereof;
FIG. 7 is a front perspective view of a multiple position swing up jump rail support showing my new design;
FIG. 8 is a back perspective view thereof;
FIG. 9 is an environmental view showing the multiple position swing up jump rail support mounted on a post in an extended position for supporting a rail; and,
FIG. 10 is an environmental view showing the multiple position swing up jump rail support mounted on a post in a retracted position.

The broken lines showing the rail and the post are for the purpose of illustrating environmental structure and form no part of the claimed design.

1 Claim, 10 Drawing Sheets



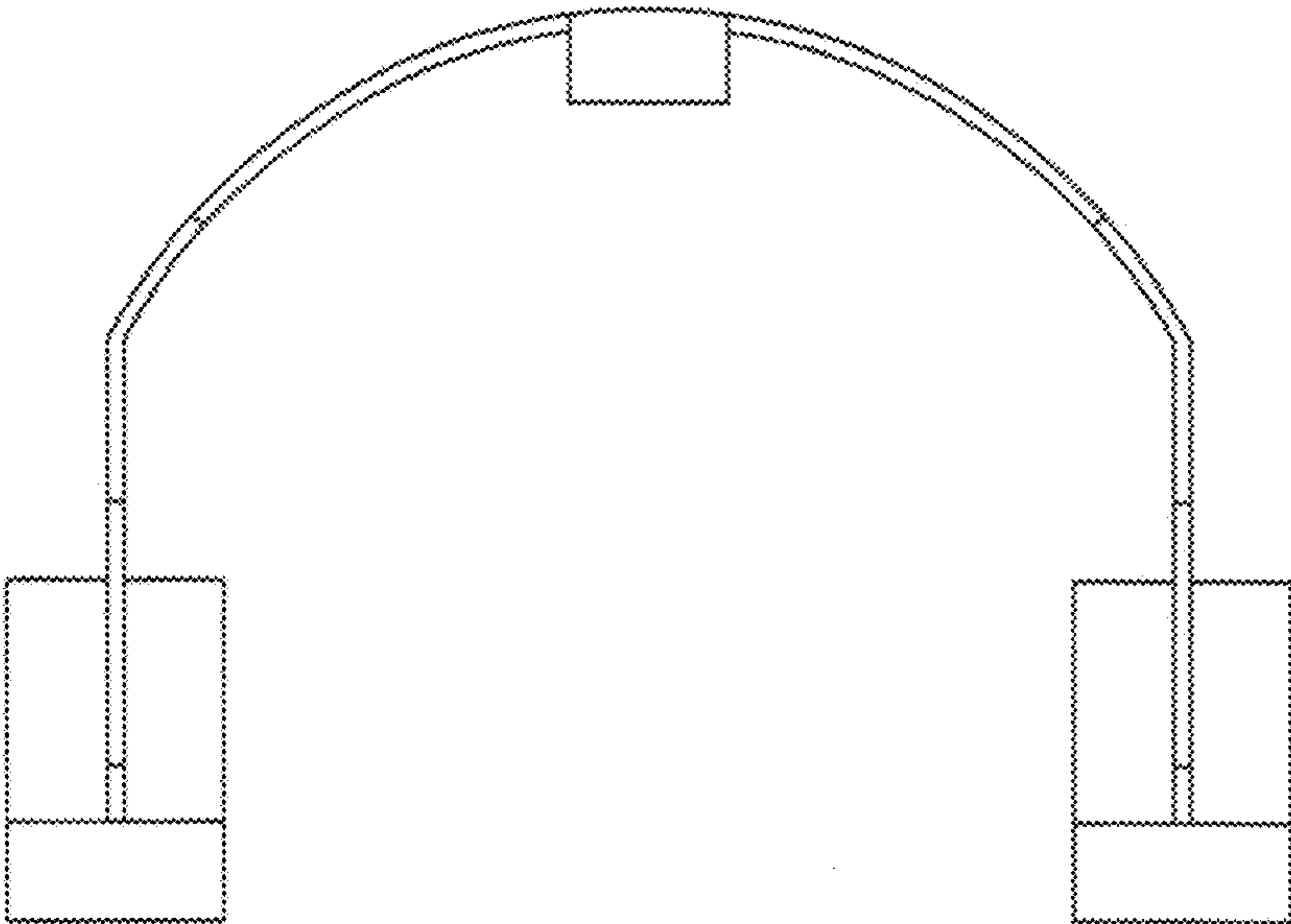


Fig. 1

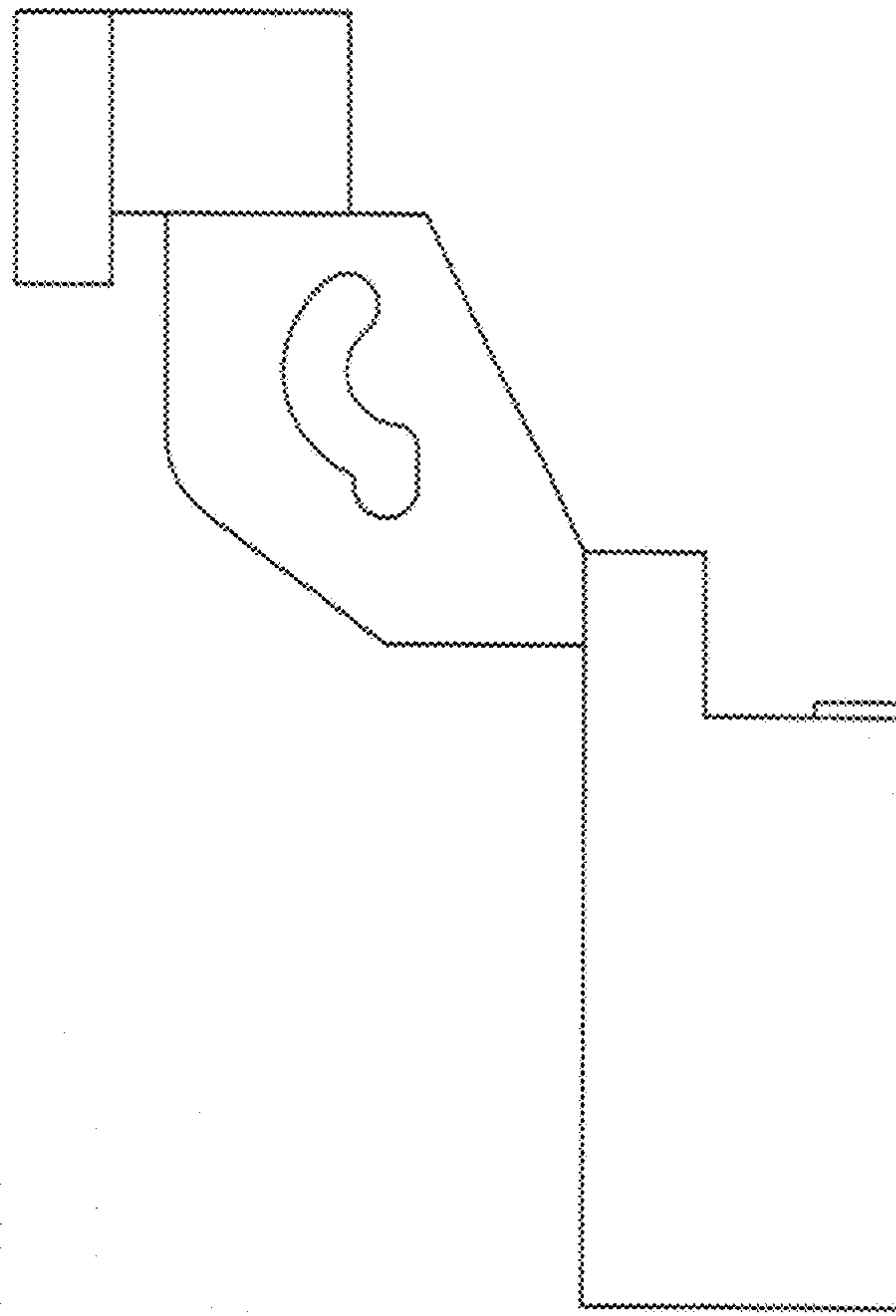


Fig. 2

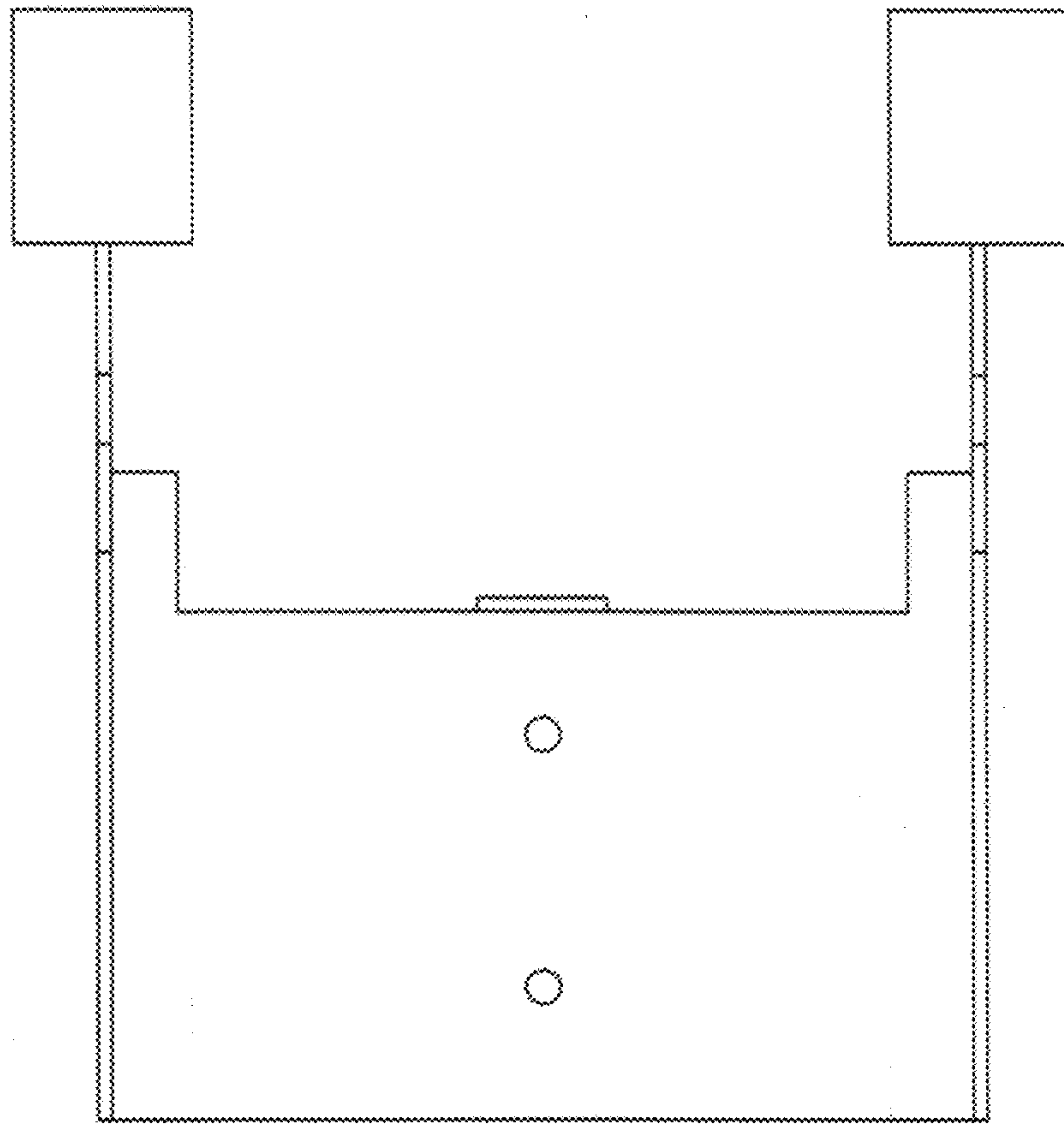


Fig. 3

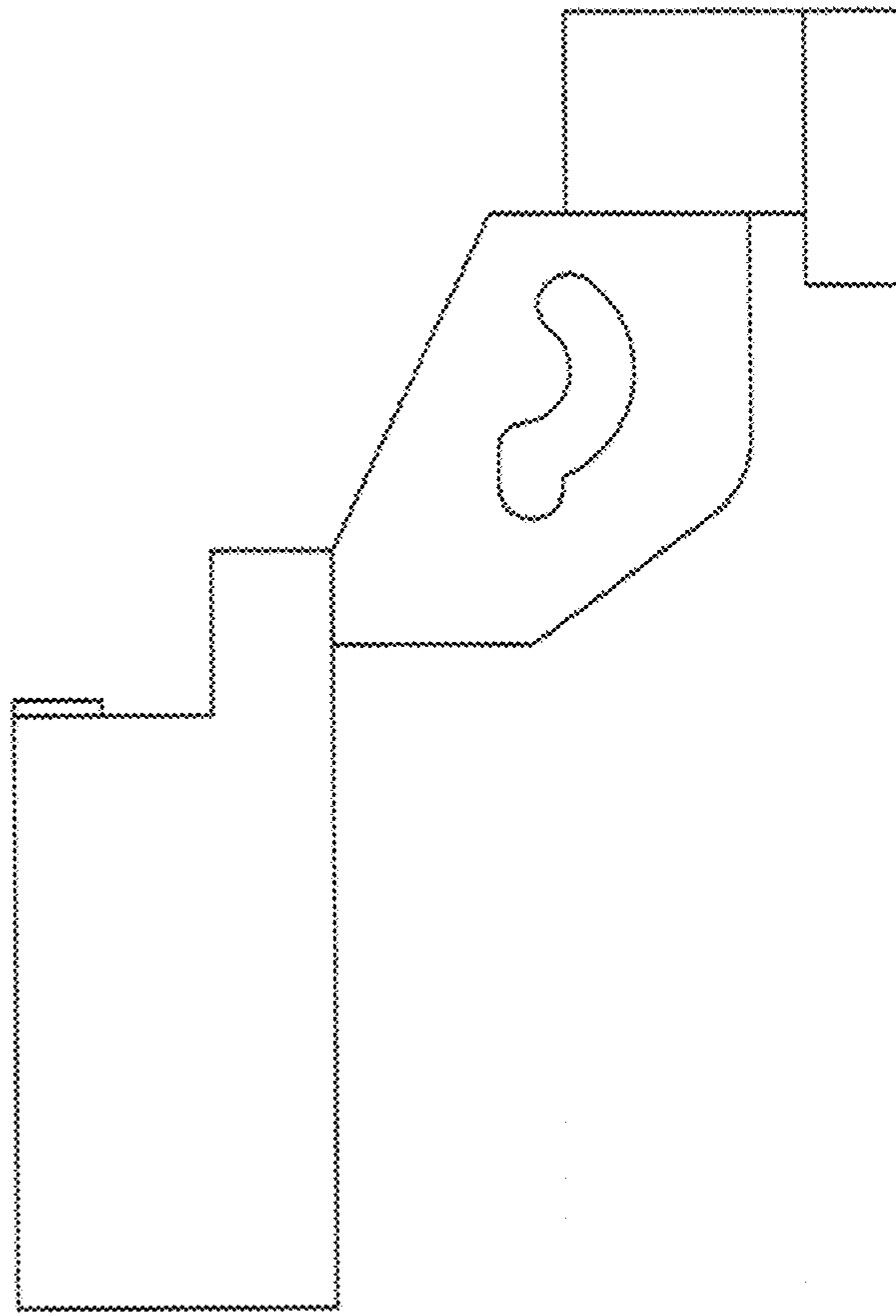


Fig. 4

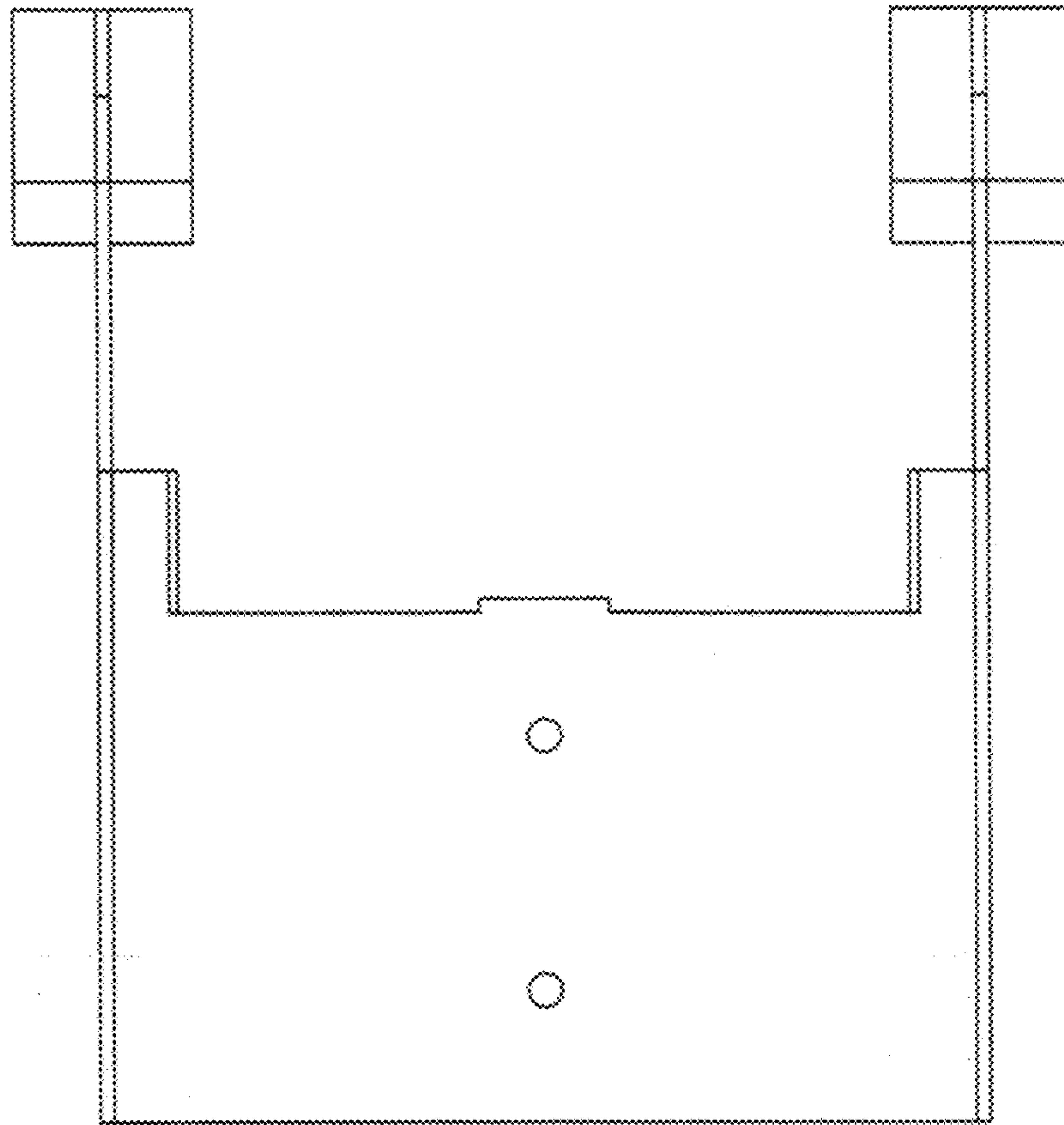


Fig. 5

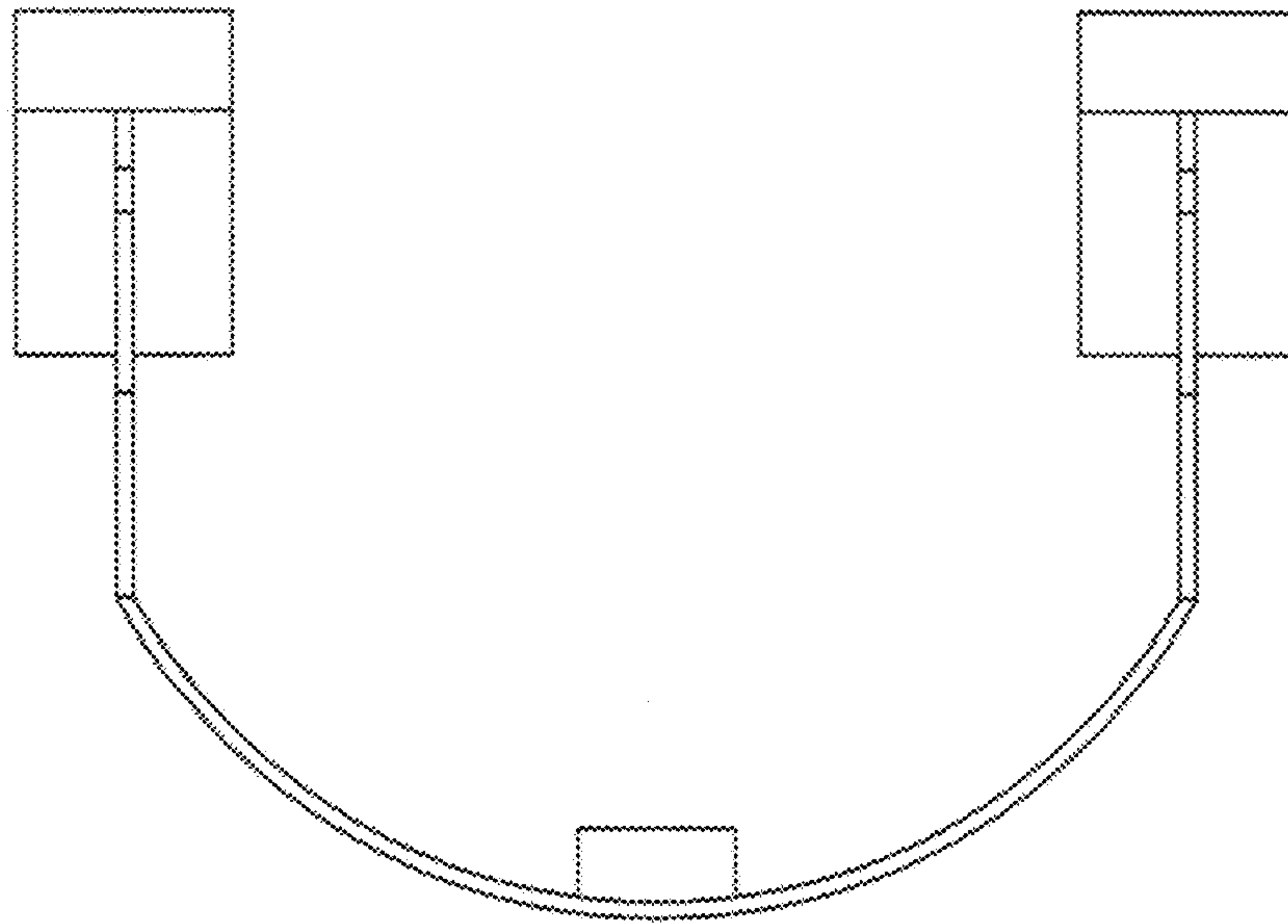


Fig. 6

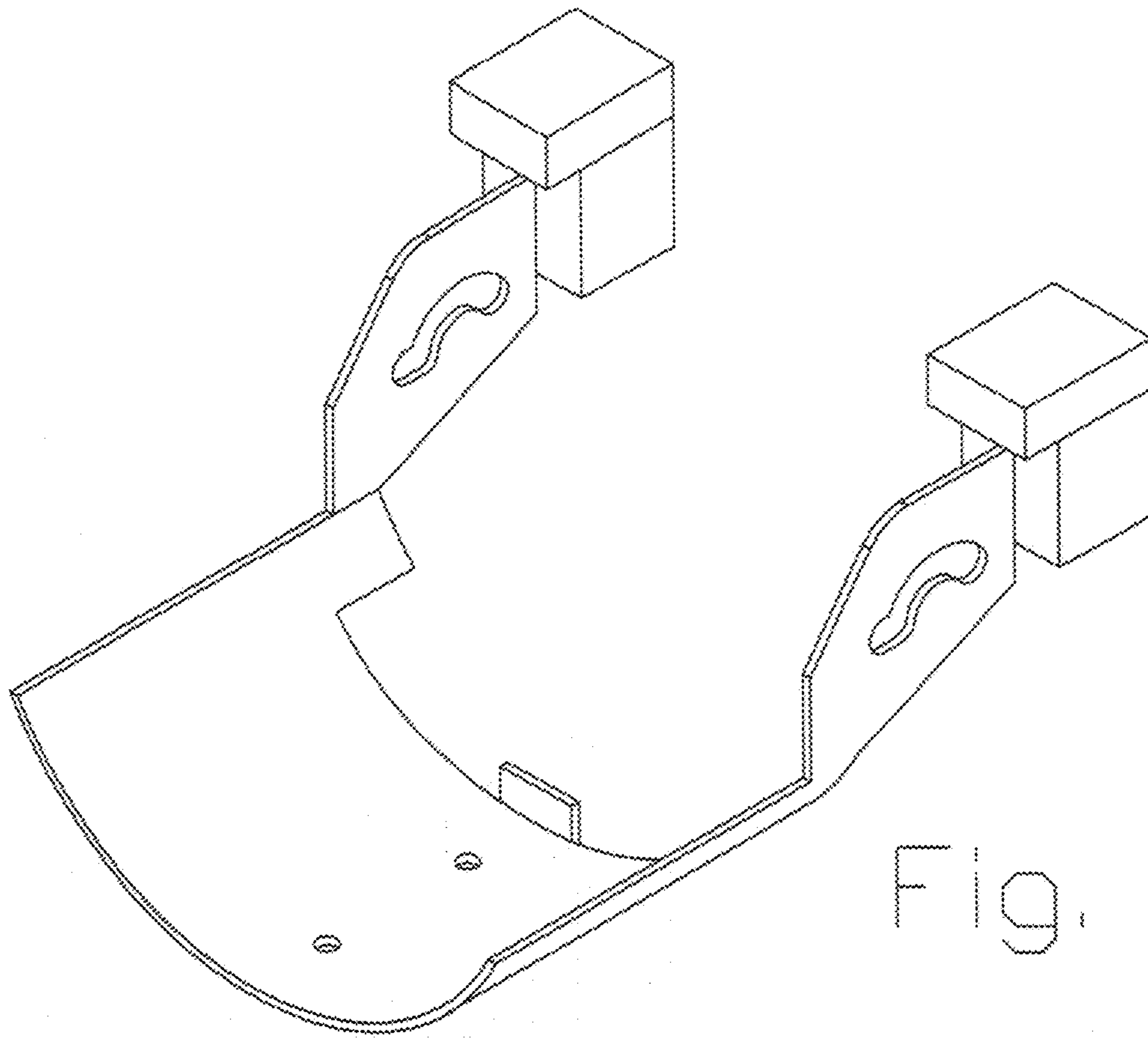


Fig. 7

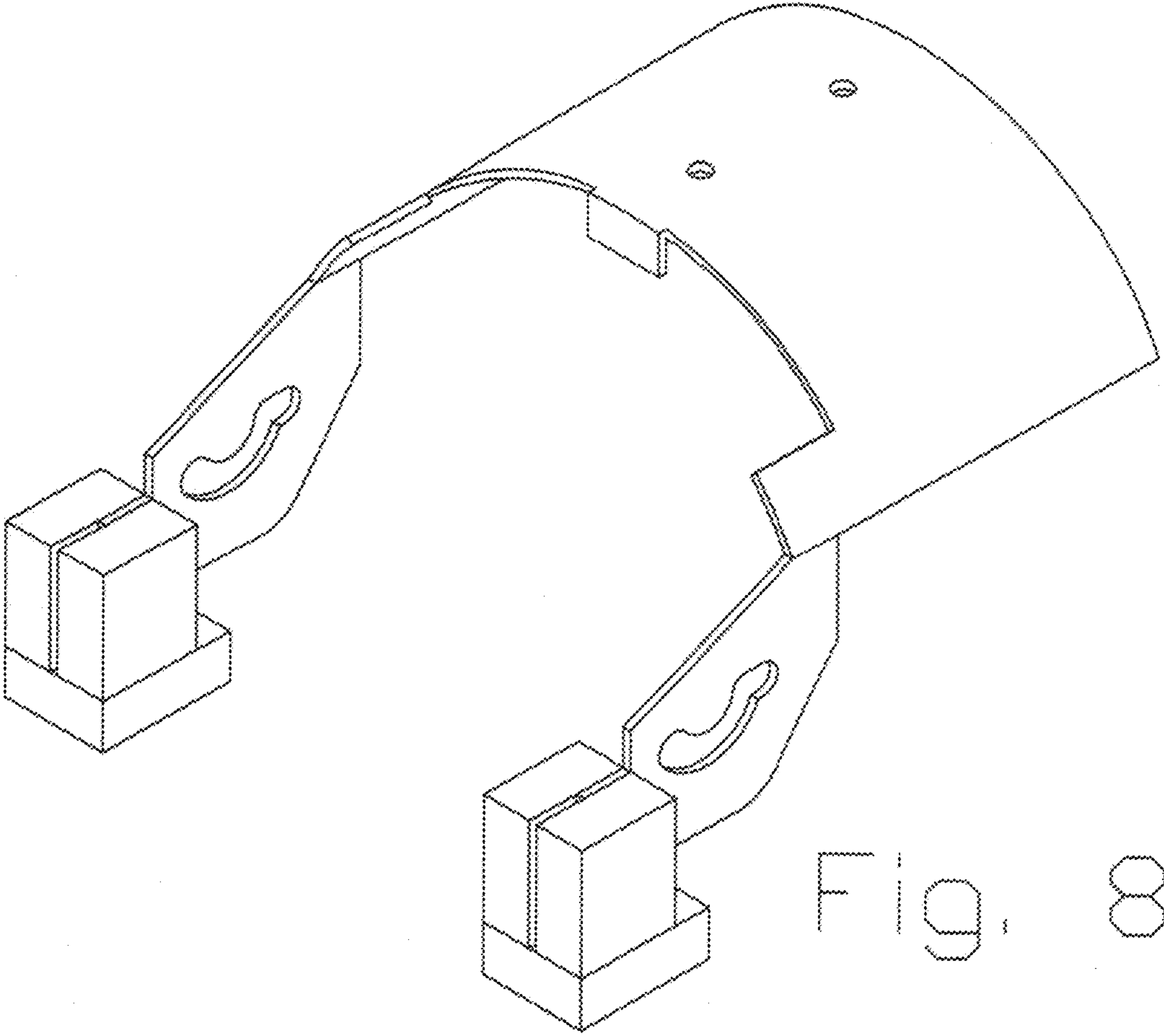


Fig. 8

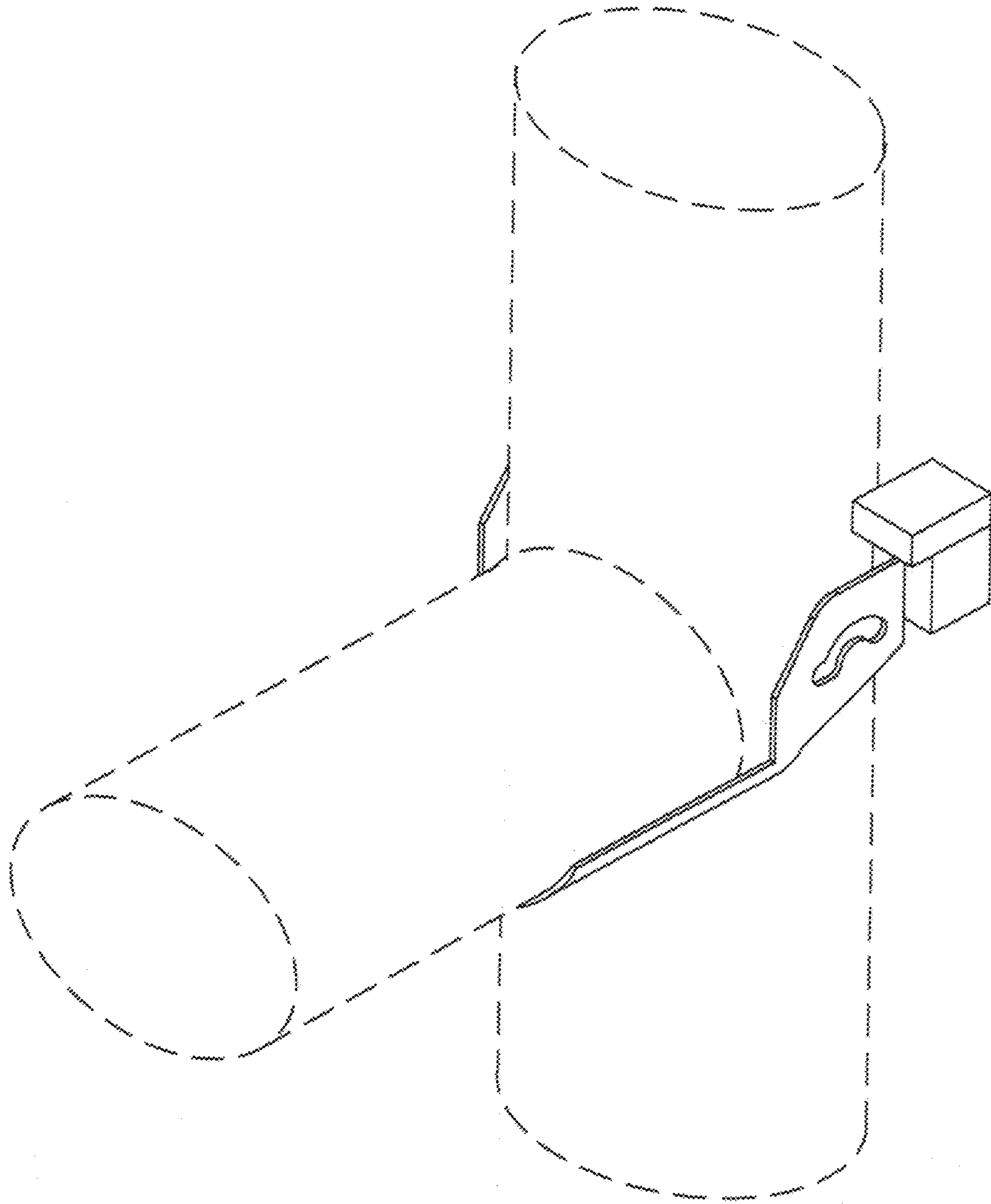


Fig. 9

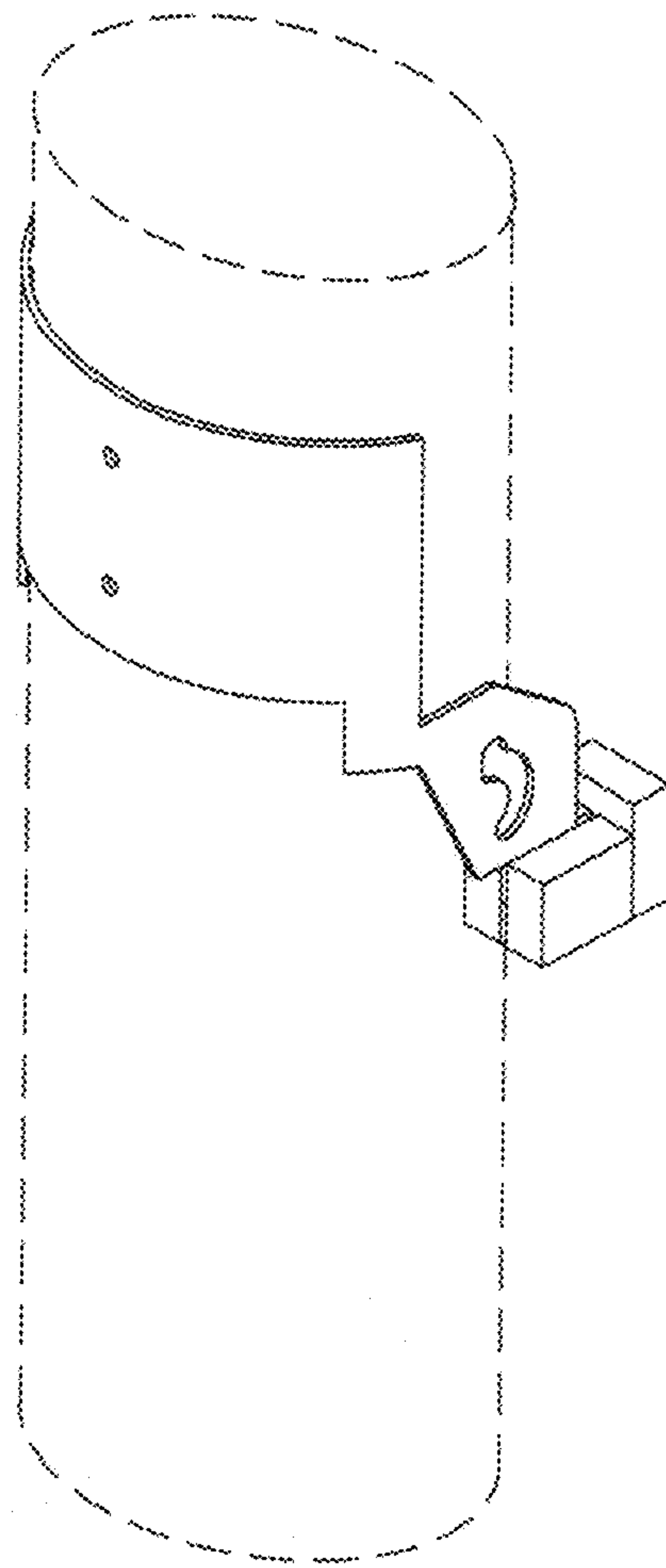


Fig. 10