



US00D793848S

(12) **United States Design Patent**
Charette

(10) **Patent No.:** **US D793,848 S**

(45) **Date of Patent:** **** Aug. 8, 2017**

(54) **MULTIPOSITION DECK SUPPORT**

(71) Applicant: **9143-8010 QUEBEC INC.**, Shawinigan
Sud (CA)

(72) Inventor: **Pierre Charette**,
Notre-Dame-du-Mont-Carmel (CA)

(**) Term: **15 Years**

(21) Appl. No.: **29/577,573**

(22) Filed: **Sep. 14, 2016**

(51) **LOC (10) Cl.** **08-05**

(52) **U.S. Cl.**
USPC **D8/354**

(58) **Field of Classification Search**
USPC D8/380, 354, 373, 349; 248/346.01, 70,
248/74.4; 52/169.9, 126.6, 143, DIG. 11
CPC F16L 3/16; F16L 1/0243; F16L 1/028
See application file for complete search history.

(56) **References Cited**

U.S. PATENT DOCUMENTS

- 3,398,933 A * 8/1968 Haroldson A47B 91/022
248/354.3
- D226,421 S * 3/1973 Rich D8/380
- 4,581,863 A * 4/1986 Thaler E04D 13/1407
248/354.3
- 4,870,789 A * 10/1989 Clark E04B 1/34352
248/354.3
- 4,924,648 A * 5/1990 Gilb E04B 1/41
52/295
- 5,056,750 A * 10/1991 Ellithorpe E04B 1/2612
248/354.3
- D322,554 S * 12/1991 Amussen D8/373
- D332,789 S * 1/1993 Rak D12/415
- 5,603,187 A * 2/1997 Merrin E04D 13/12
248/237
- 5,862,635 A * 1/1999 Linse E04H 9/14
248/354.3

- 6,053,280 A * 4/2000 Smith E04G 3/20
182/150
- D435,433 S * 12/2000 Miller D8/354
- 6,347,489 B1 * 2/2002 Marshall, Jr. E02D 27/00
248/354.5
- D607,711 S * 1/2010 Adams D8/354
- 8,424,255 B2 * 4/2013 Lenox F24J 2/5245
52/173.3
- D730,724 S * 6/2015 Brown F24F 13/32
D8/380
- 9,366,052 B1 * 6/2016 Warner E04H 12/2269

OTHER PUBLICATIONS

9143-8010 Québec Inc., Support De Patio Ajustable, Canadian
Industrial Design Registration No. 114587, registered Apr. 10, 2007.

* cited by examiner

Primary Examiner — Lakiya Rogers
Assistant Examiner — Harold E Blackwell, II
(74) *Attorney, Agent, or Firm* — Welsh Flaxman & Gitler
LLC

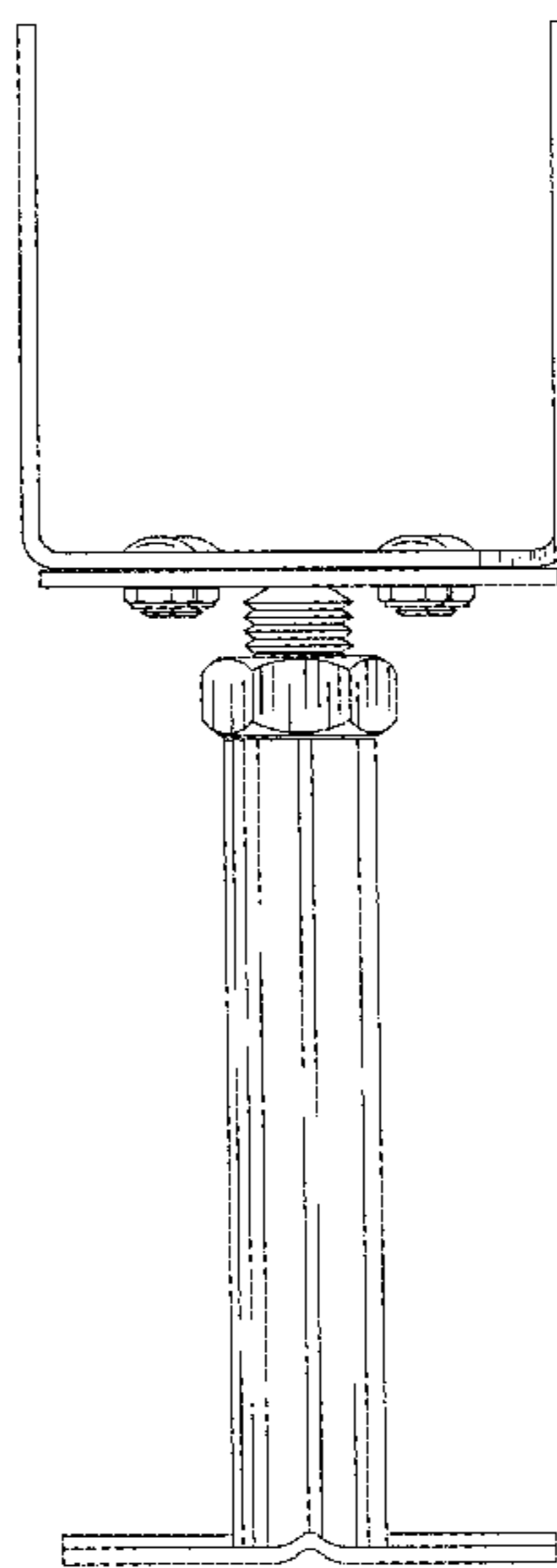
(57) **CLAIM**

The ornamental design for a multiposition deck support, as
shown and described.

DESCRIPTION

FIG. 1 is a front view of the multiposition deck support;
FIG. 2 is a rear view of the multiposition deck support;
FIG. 3 is a right side view of the multiposition deck support;
FIG. 4 is a left side view of the multiposition deck support;
FIG. 5 is a top view of the multiposition deck support;
FIG. 6 is a bottom view of the multiposition deck support;
FIG. 7 is a front angled perspective view of the multiposition
deck support in an open position; and,
FIG. 8 is a front angled perspective view of the multiposition
deck support in a closed position.

1 Claim, 8 Drawing Sheets



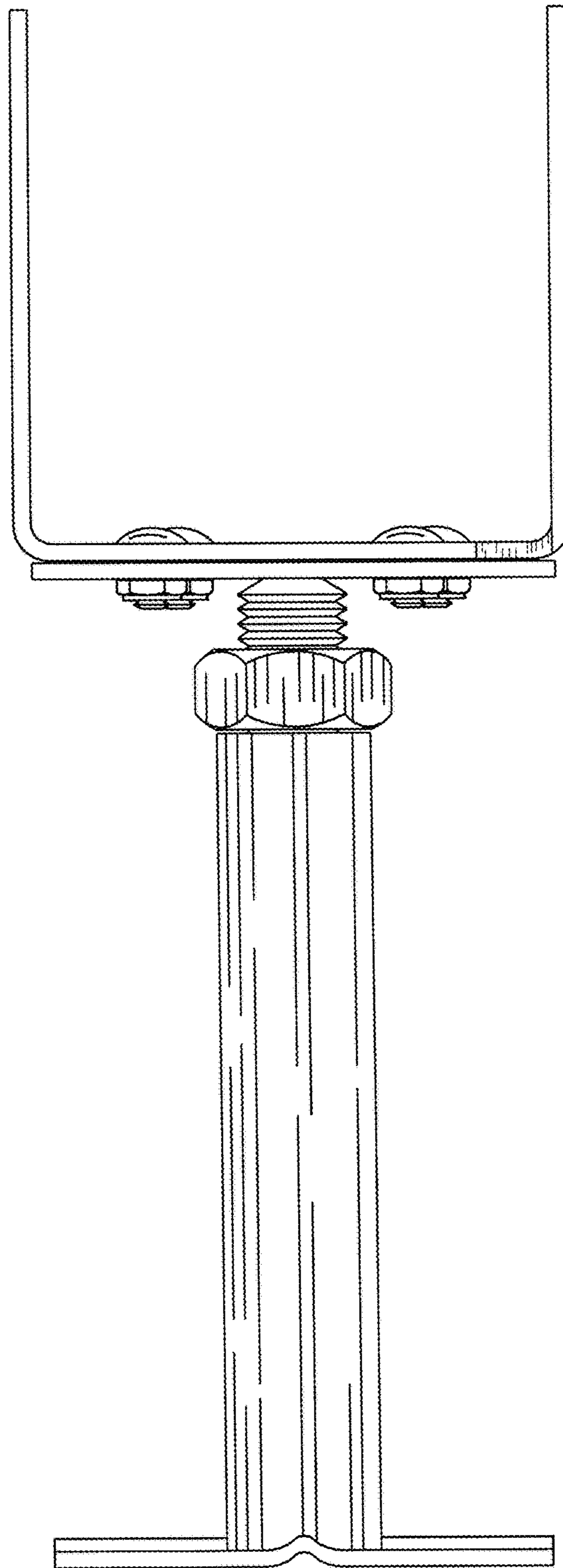


FIGURE 1

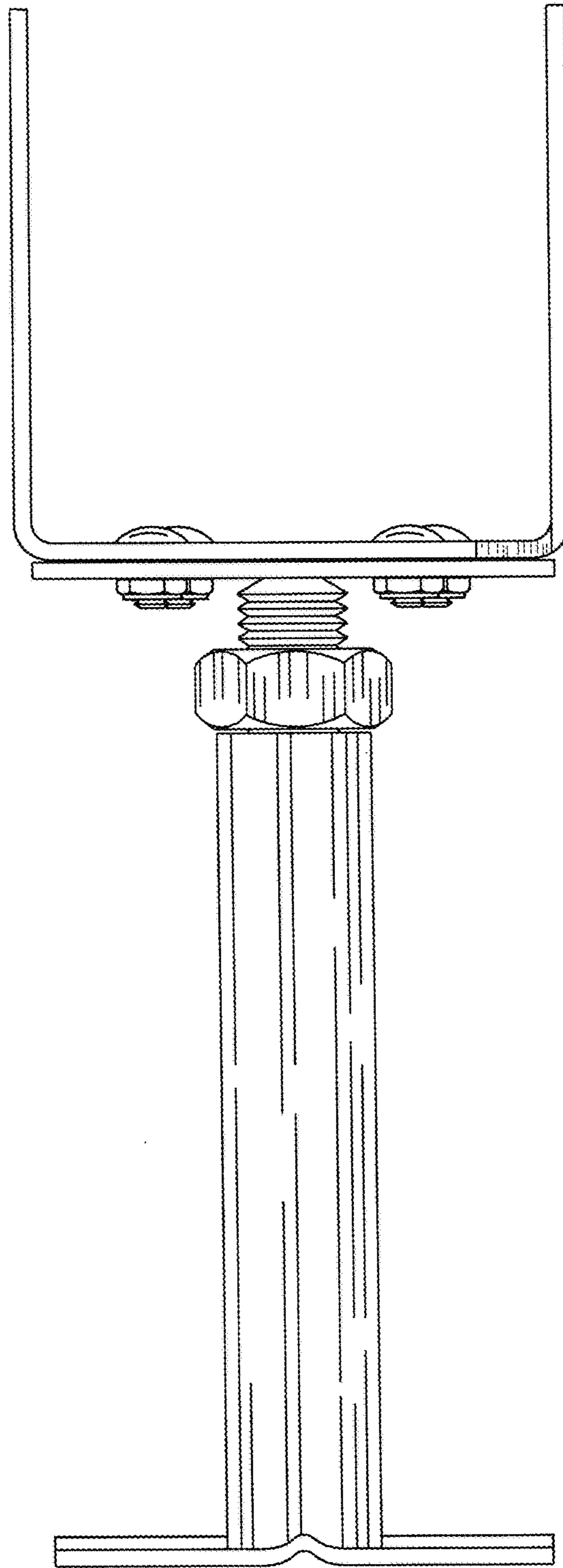


FIGURE 2

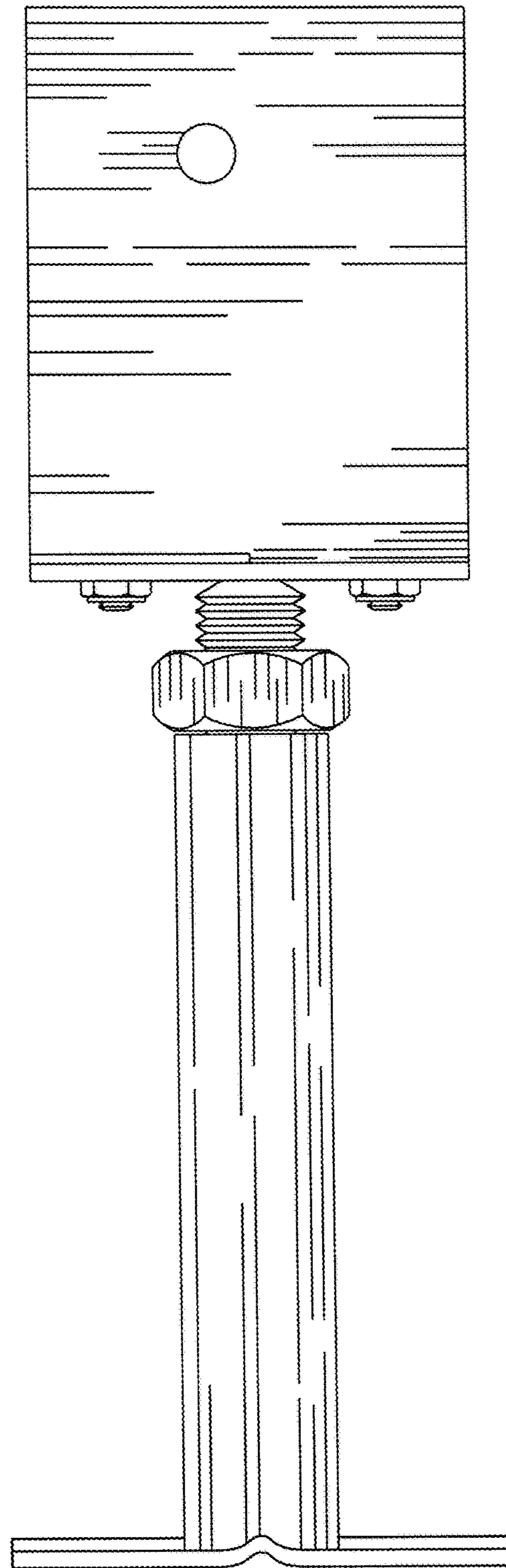


FIGURE 3

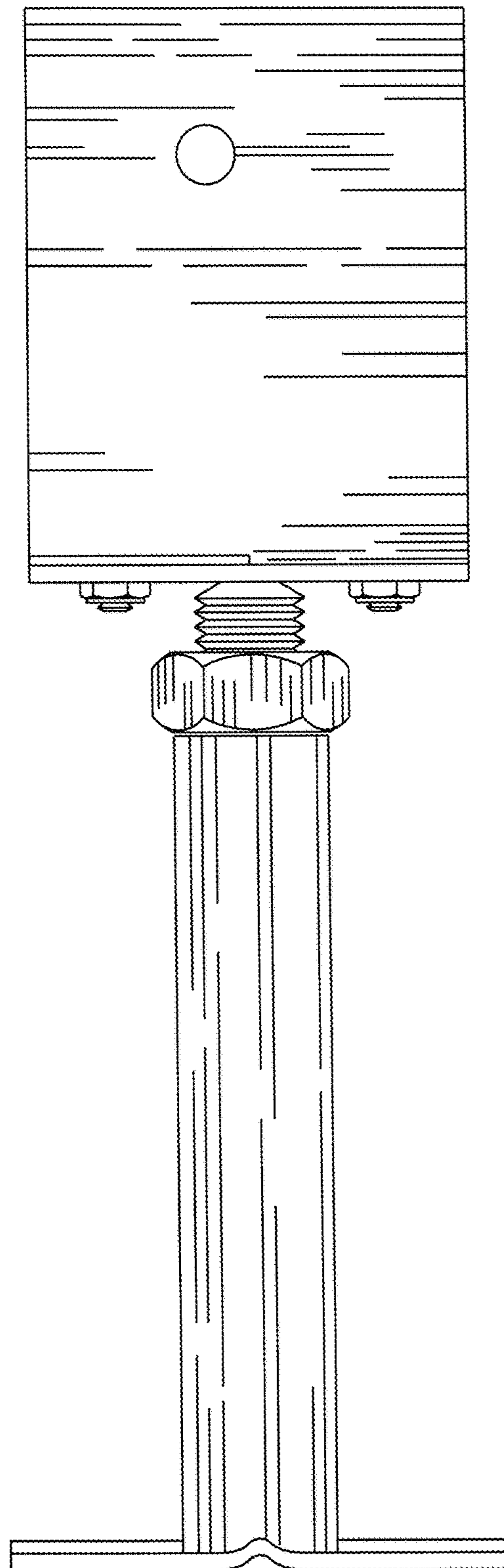


FIGURE 4

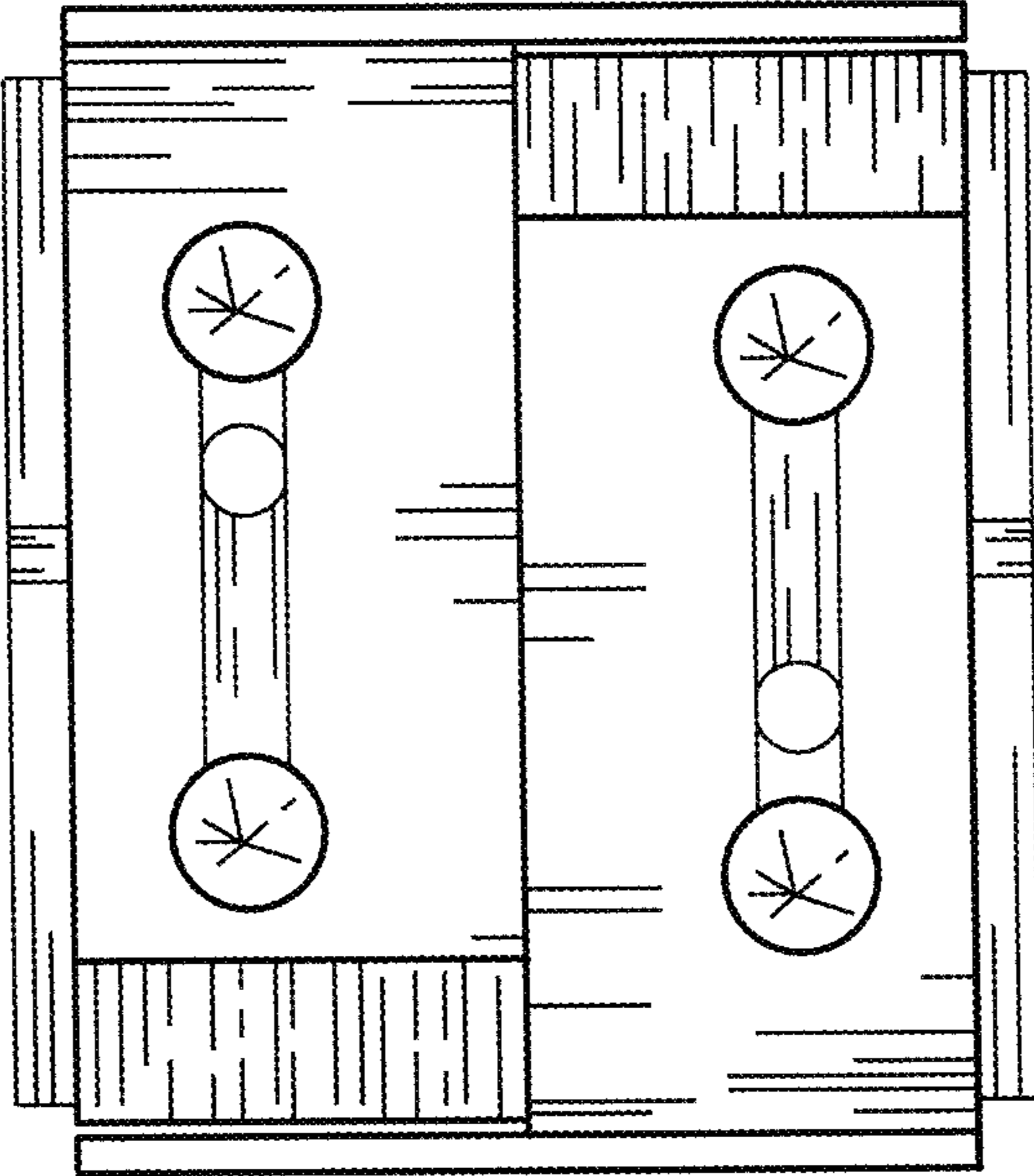


FIGURE 5

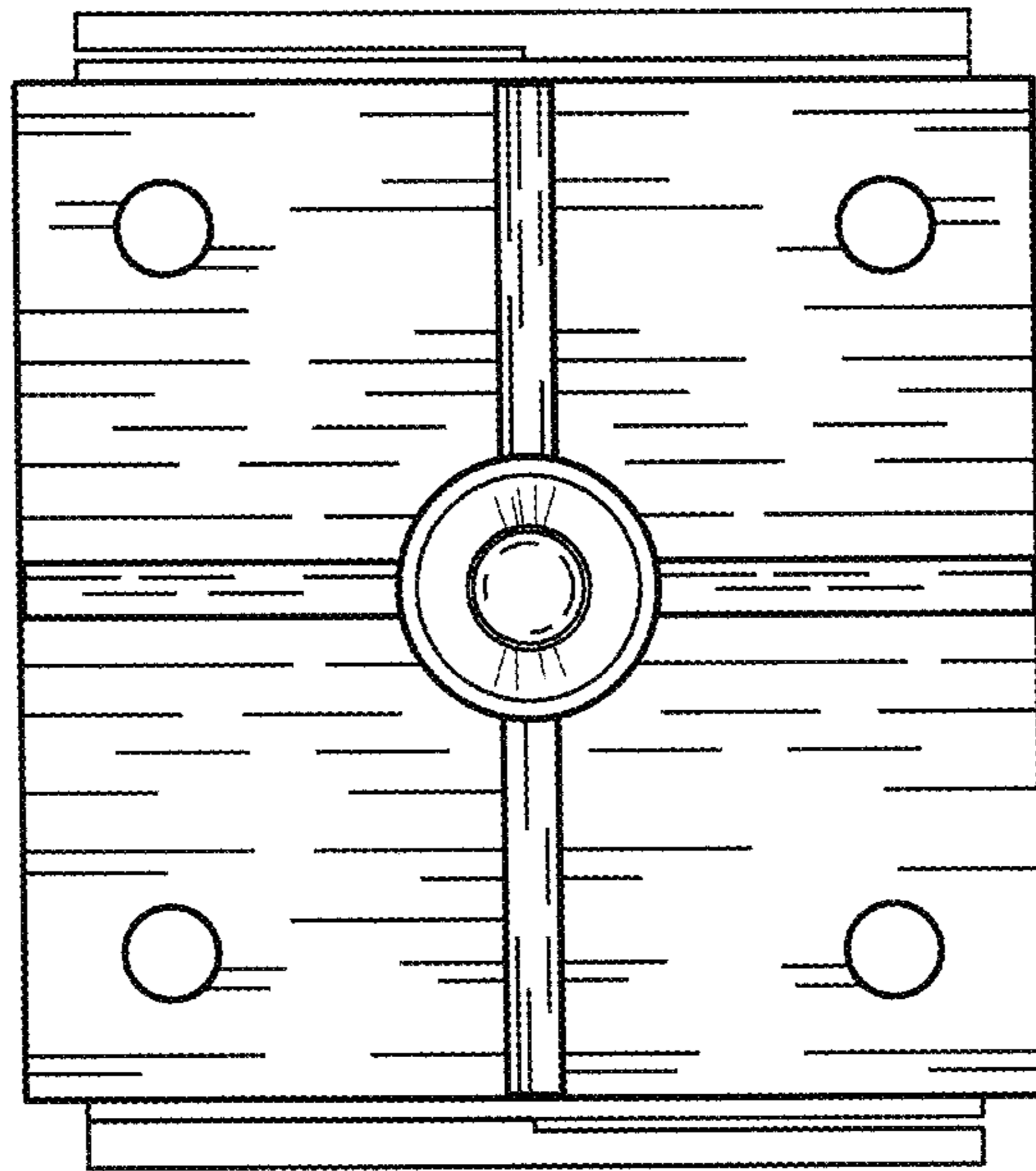


FIGURE 6

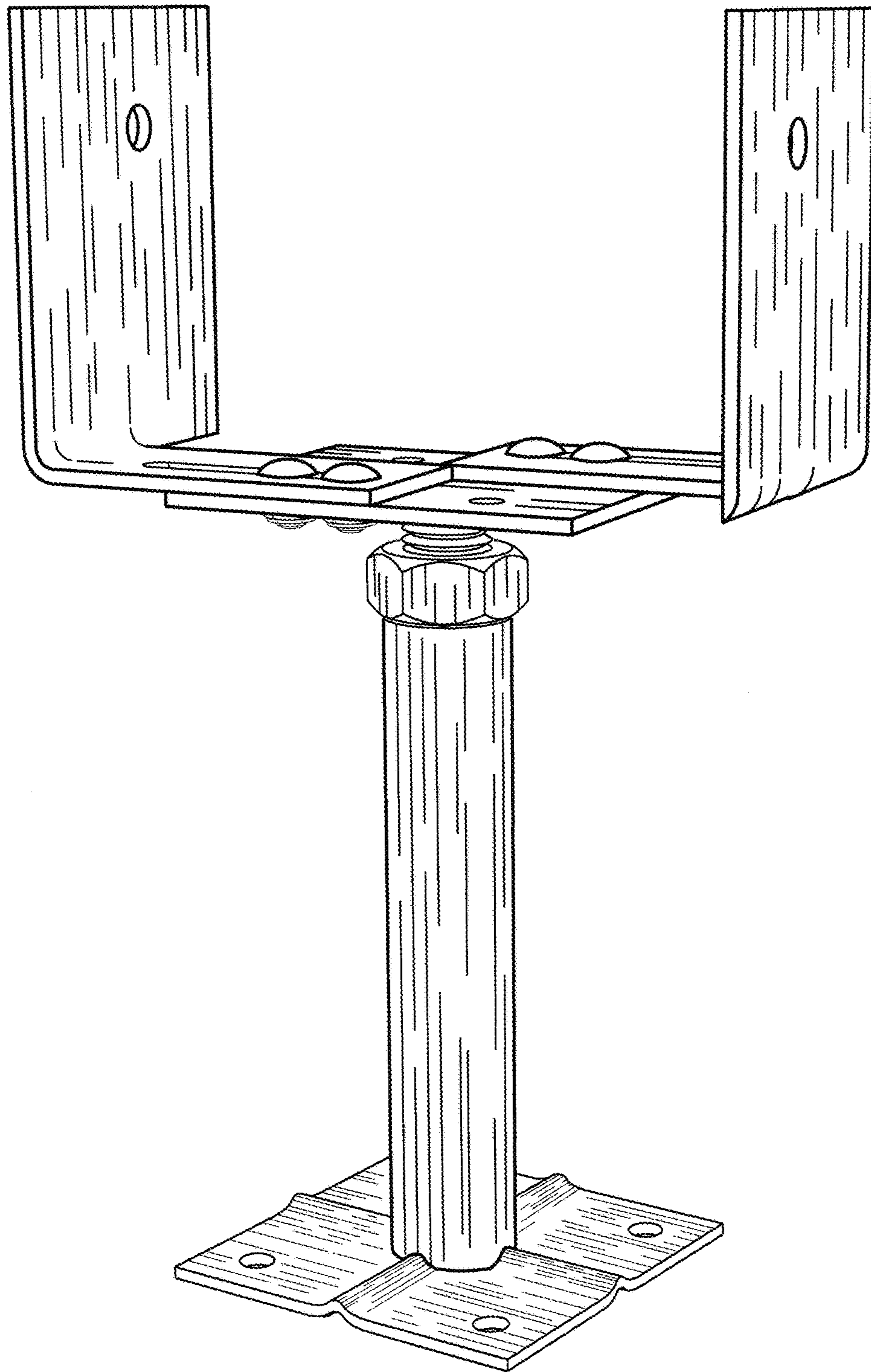


FIGURE 7

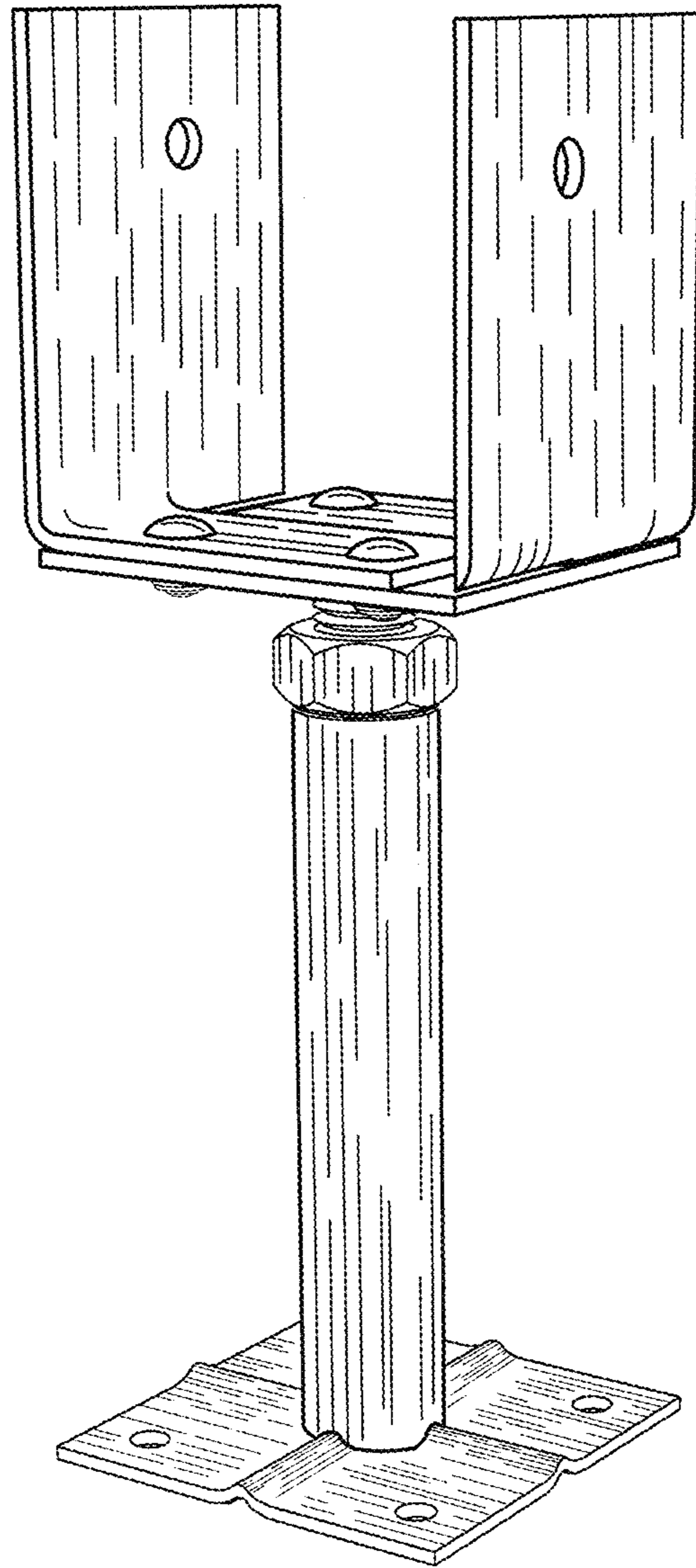


FIGURE 8