

US00D793846S

(12) **United States Design Patent** (10) **Patent No.:** **US D793,846 S**
Armstrong, Jr. et al. (45) **Date of Patent:** **** Aug. 8, 2017**

(54) **WALL PLATE**

(71) Applicants: **Paul John Armstrong, Jr.**, Newport, RI (US); **Jill Armstrong**, Marshfield, MA (US)

(72) Inventors: **Paul John Armstrong, Jr.**, Newport, RI (US); **Jill Armstrong**, Marshfield, MA (US)

(**) Term: **15 Years**

(21) Appl. No.: **29/552,365**

(22) Filed: **Jan. 21, 2016**

(51) **LOC (10) Cl.** **11-05**

(52) **U.S. Cl.**
USPC **D8/353**; D13/156

(58) **Field of Classification Search**
USPC D13/103, 107, 110, 133, 137.3, 137.4, D13/139.1, 139.2, 139.3, 139.4, 139.8, D13/154, 158, 177, 137.2, 137.1, 162, D13/138.1, 138.2, 139.6, 160, 156; D10/78; D8/353, 350
CPC A61M 5/1413; A61M 5/162; A61M 5/31; A61M 39/06; B65D 33/14; H01H 83/02; H01H 83/04; H02H 3/162; H02H 3/33; H01R 13/665; H01R 13/7135
See application file for complete search history.

(56) **References Cited**

U.S. PATENT DOCUMENTS

D272,314 S *	1/1984	Leibin	D12/345
D308,626 S *	6/1990	Villarreal	D13/154
D359,271 S *	6/1995	Reinholt	D13/156
D399,829 S *	10/1998	Reed	D13/156
D540,656 S *	4/2007	Corbin	D8/353
D588,065 S *	3/2009	Wadsworth	D13/137.2
D674,753 S *	1/2013	Jansen	D13/139.1
D682,211 S *	5/2013	Nelson	D13/137.2

D684,935 S *	6/2013	DeCosta	D13/152
D692,385 S *	10/2013	Dodal	D13/139.1
D692,830 S *	11/2013	Junko	D13/139.3
D693,769 S *	11/2013	Picard	D13/137.1
D694,713 S *	12/2013	Yeo	D13/137.1
D696,198 S *	12/2013	Roy	D13/139.1
D709,831 S *	7/2014	Picard	D13/137.1
D710,804 S *	8/2014	Duffy	D13/139.3
D711,828 S *	8/2014	Mozdzer	D13/139.1
D713,344 S *	9/2014	Padro	D13/139.3
D719,096 S *	12/2014	DeCosta	D13/137.2
D719,688 S *	12/2014	Goyal	D13/177
D720,295 S *	12/2014	Dodal	D13/139.1
D722,562 S *	2/2015	Restrepo	D13/139.1
D730,835 S *	6/2015	Murphy	D13/139.1
D731,432 S *	6/2015	Murphy	D13/139.1

(Continued)

Primary Examiner — Sheryl Lane

Assistant Examiner — Suzette Murphy

(74) *Attorney, Agent, or Firm* — Waller Lansden Dortch & Davis, LLP; Blake M. Bernard

(57) **CLAIM**

The ornamental design for a wall plate, as shown and described.

DESCRIPTION

FIG. 1 is an isometric view of the wall plate of the present invention;

FIG. 2 is a left side elevation view of the wall plate of FIG. 1;

FIG. 3 is a front elevation view of the wall plate of FIG. 1;

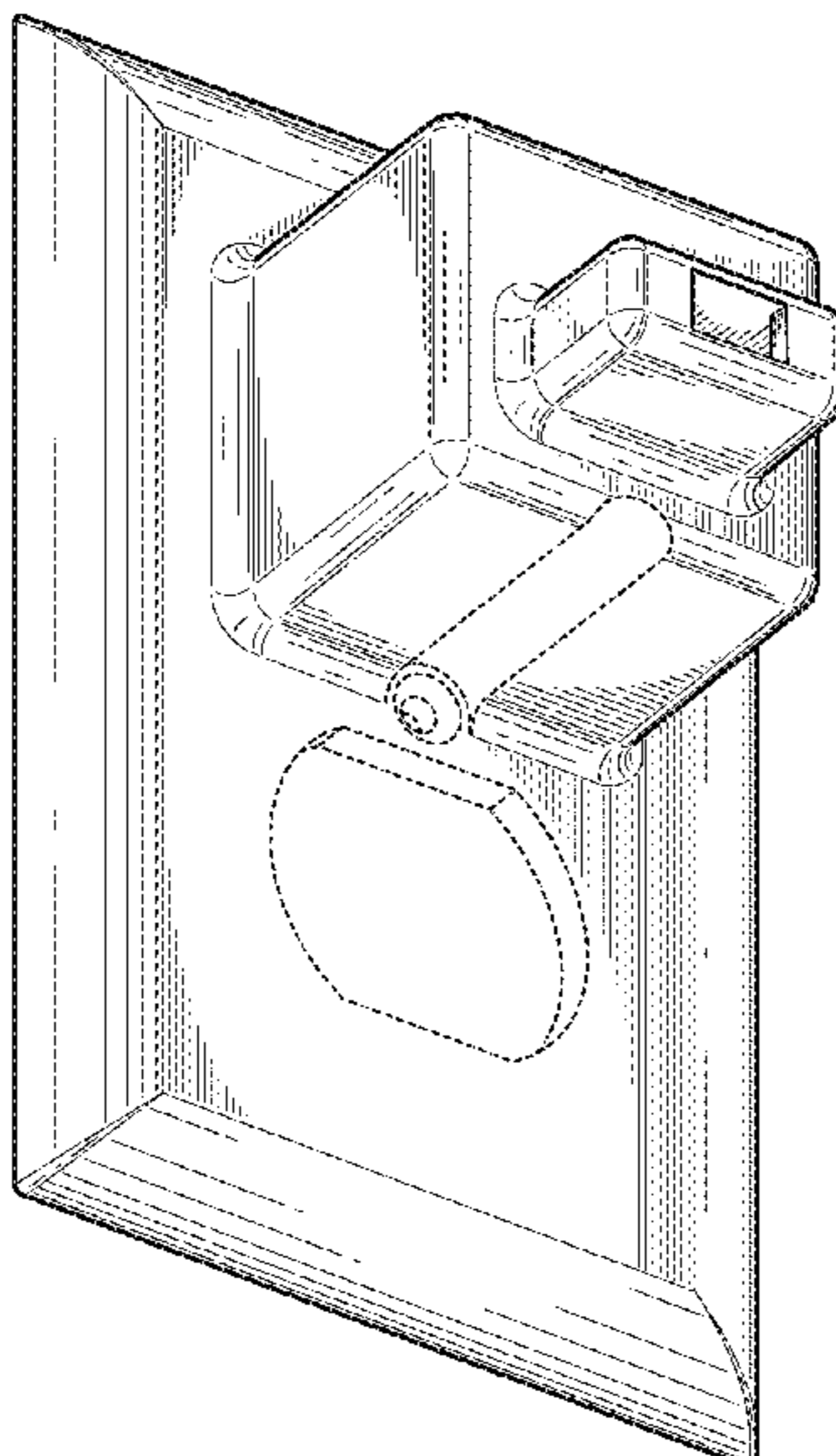
FIG. 4 is a right side elevation view of the wall plate of FIG. 1;

FIG. 5 is a top view of the wall plate of FIG. 1; and,

FIG. 6 is a bottom view of the wall plate of FIG. 1.

The broken lines showing portions of the article are included for the purpose of illustrating environmental structure and form no part of the claimed design.

1 Claim, 4 Drawing Sheets



(56)

References Cited

U.S. PATENT DOCUMENTS

2009/0211778 A1* 8/2009 Drane H02G 3/14
174/67

* cited by examiner

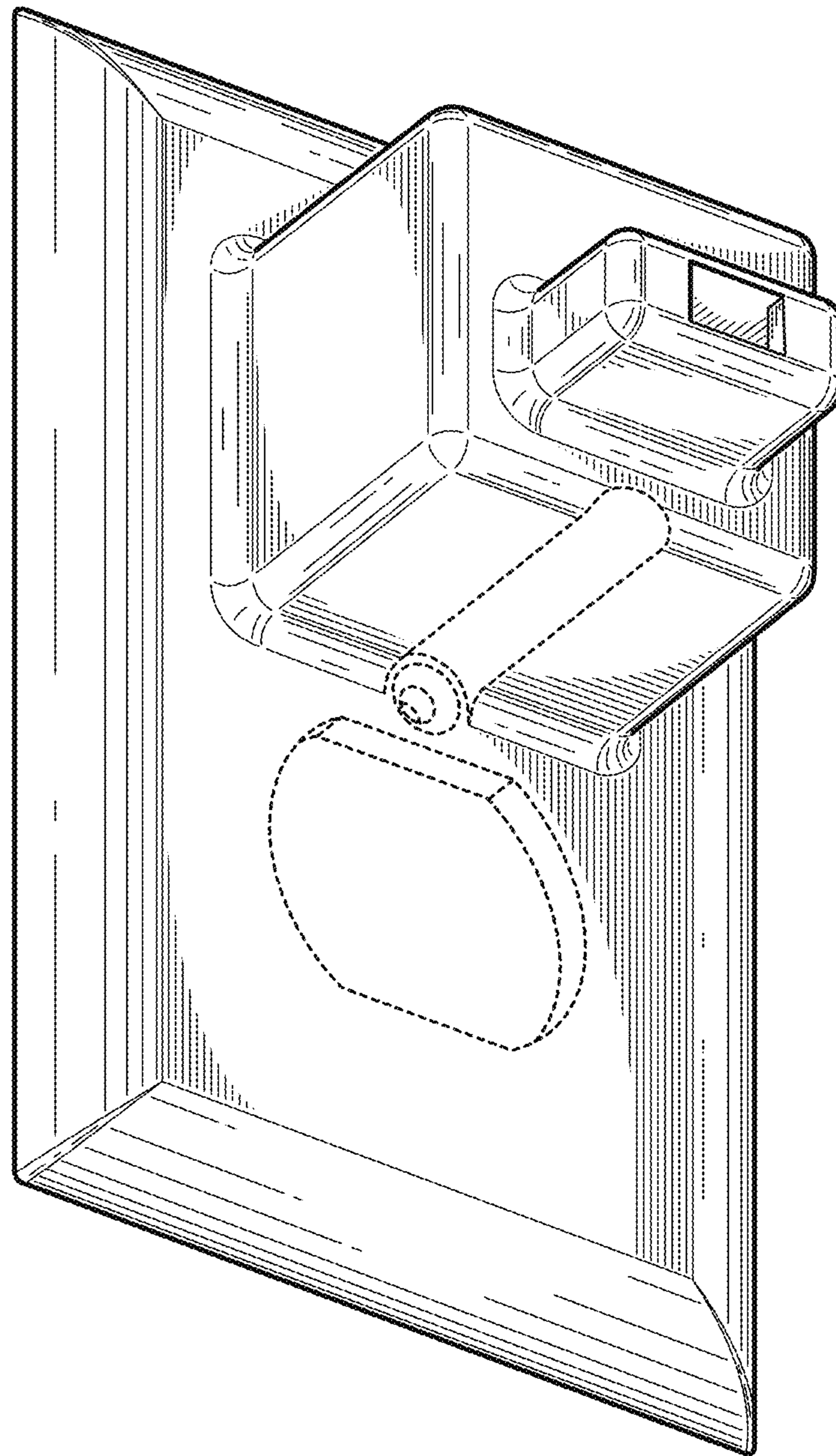


FIG. 1

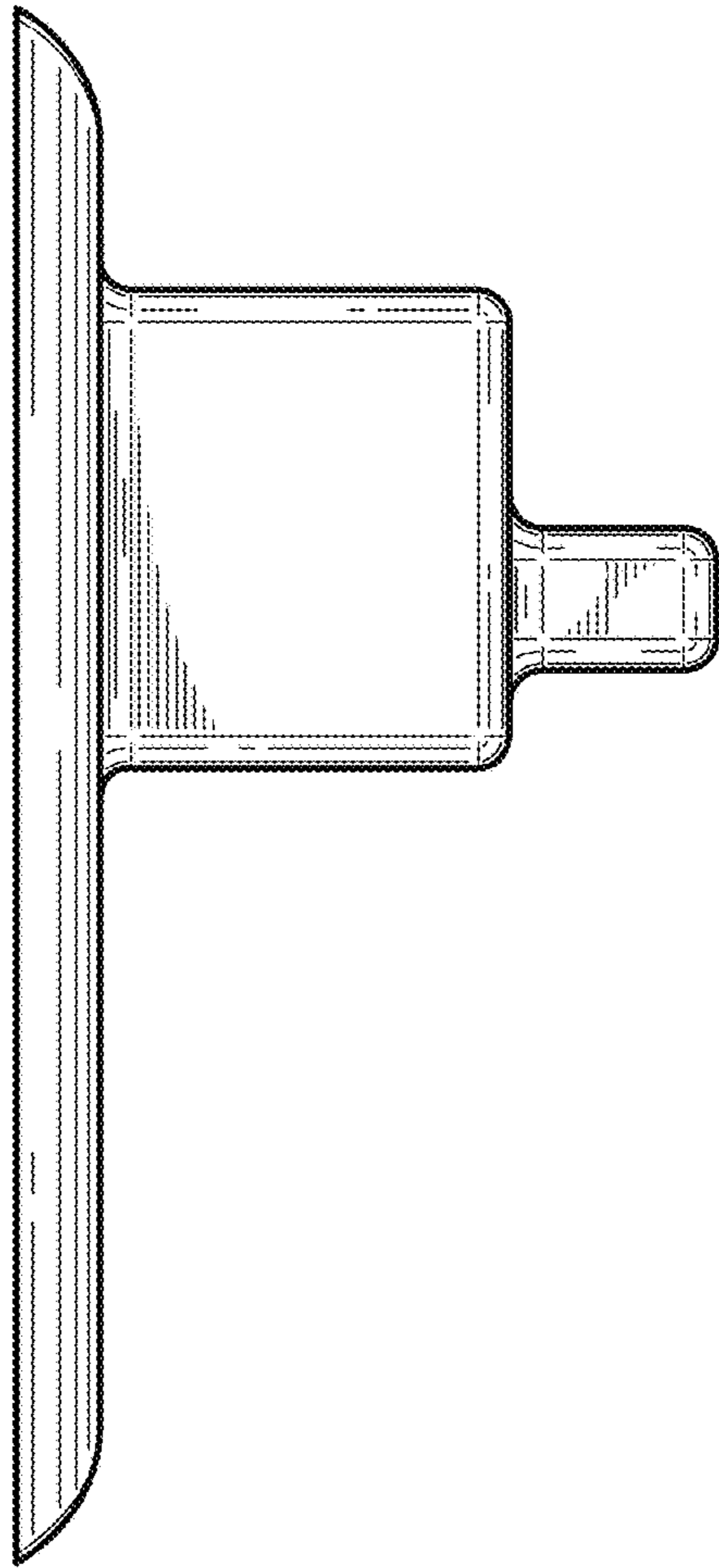


FIG. 2

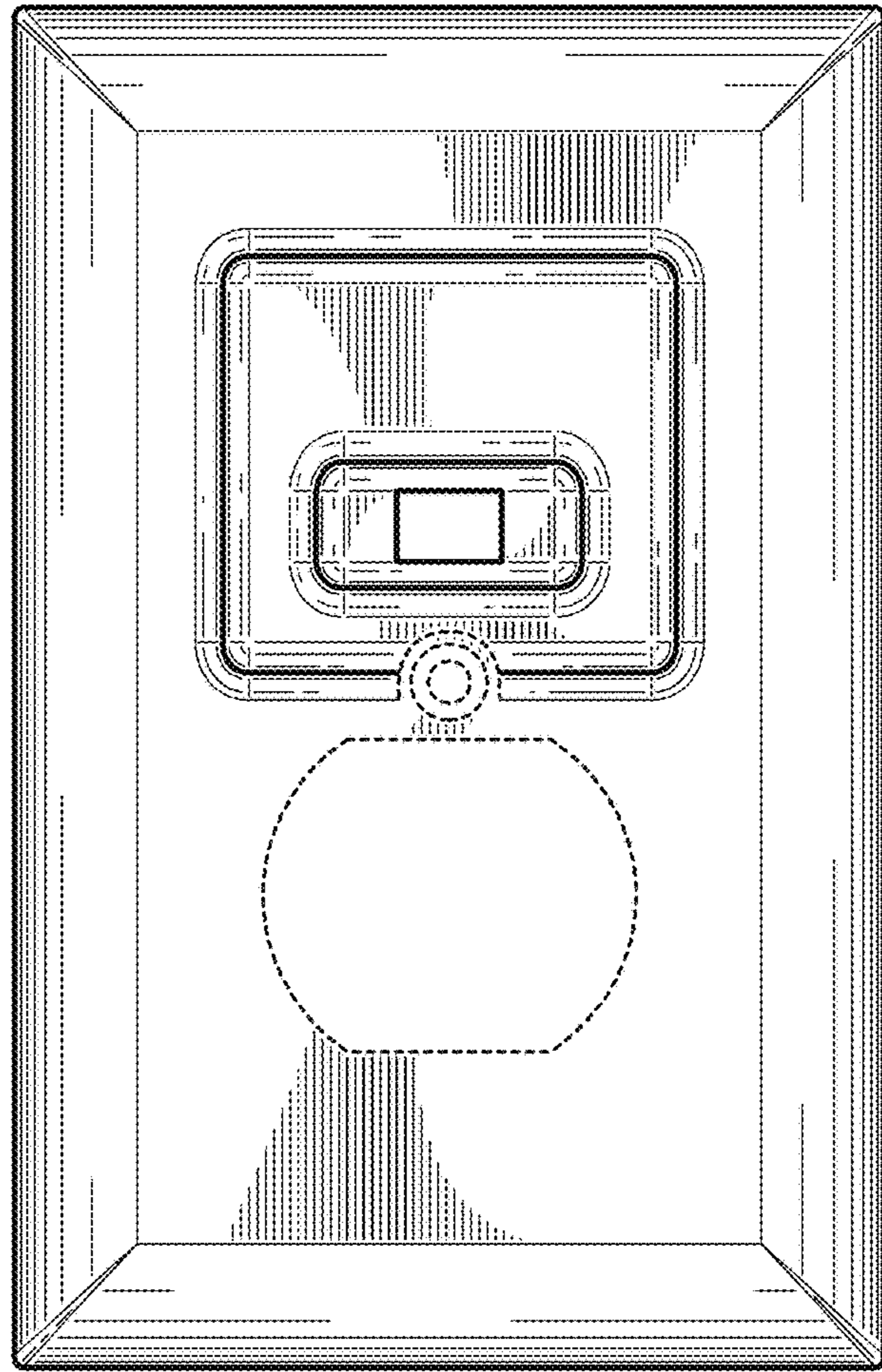


FIG. 3

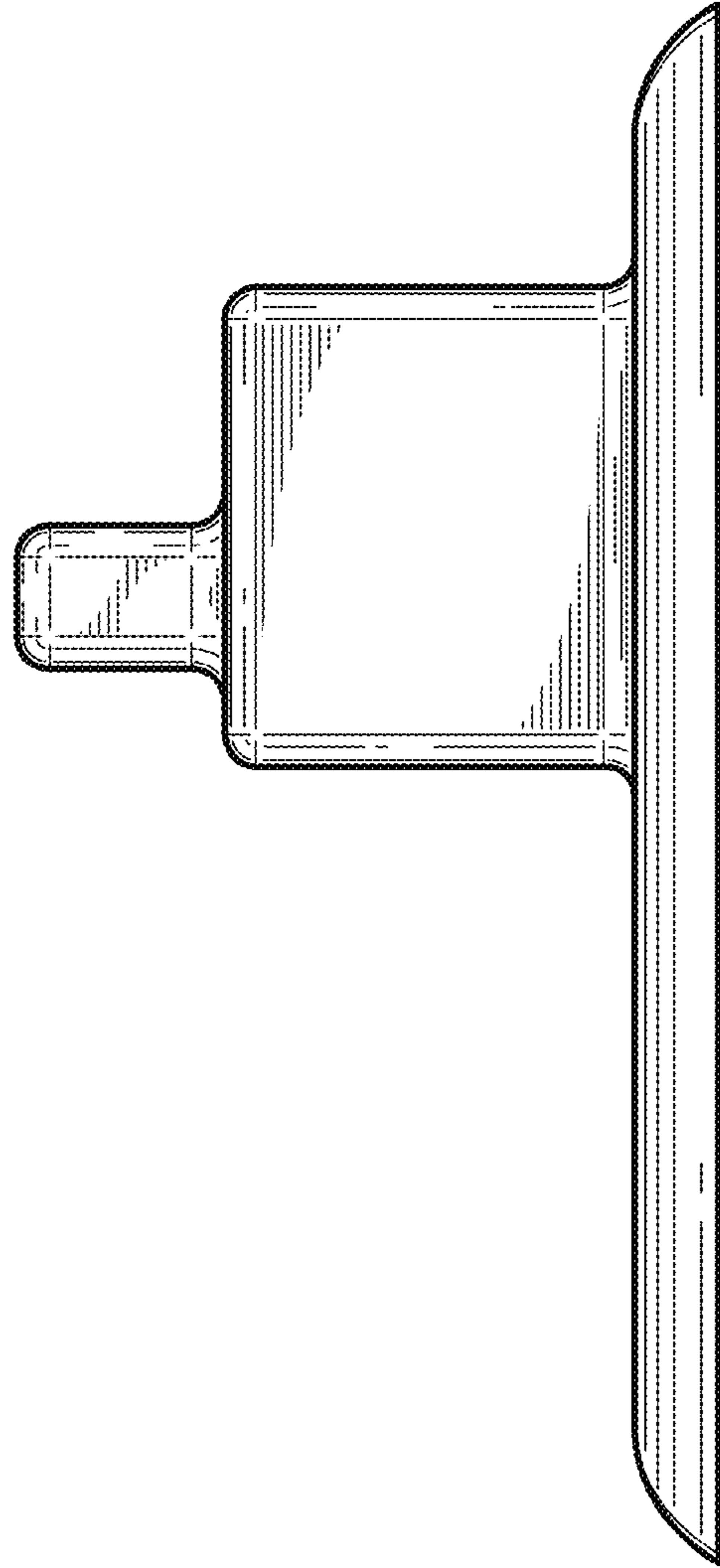


FIG. 4

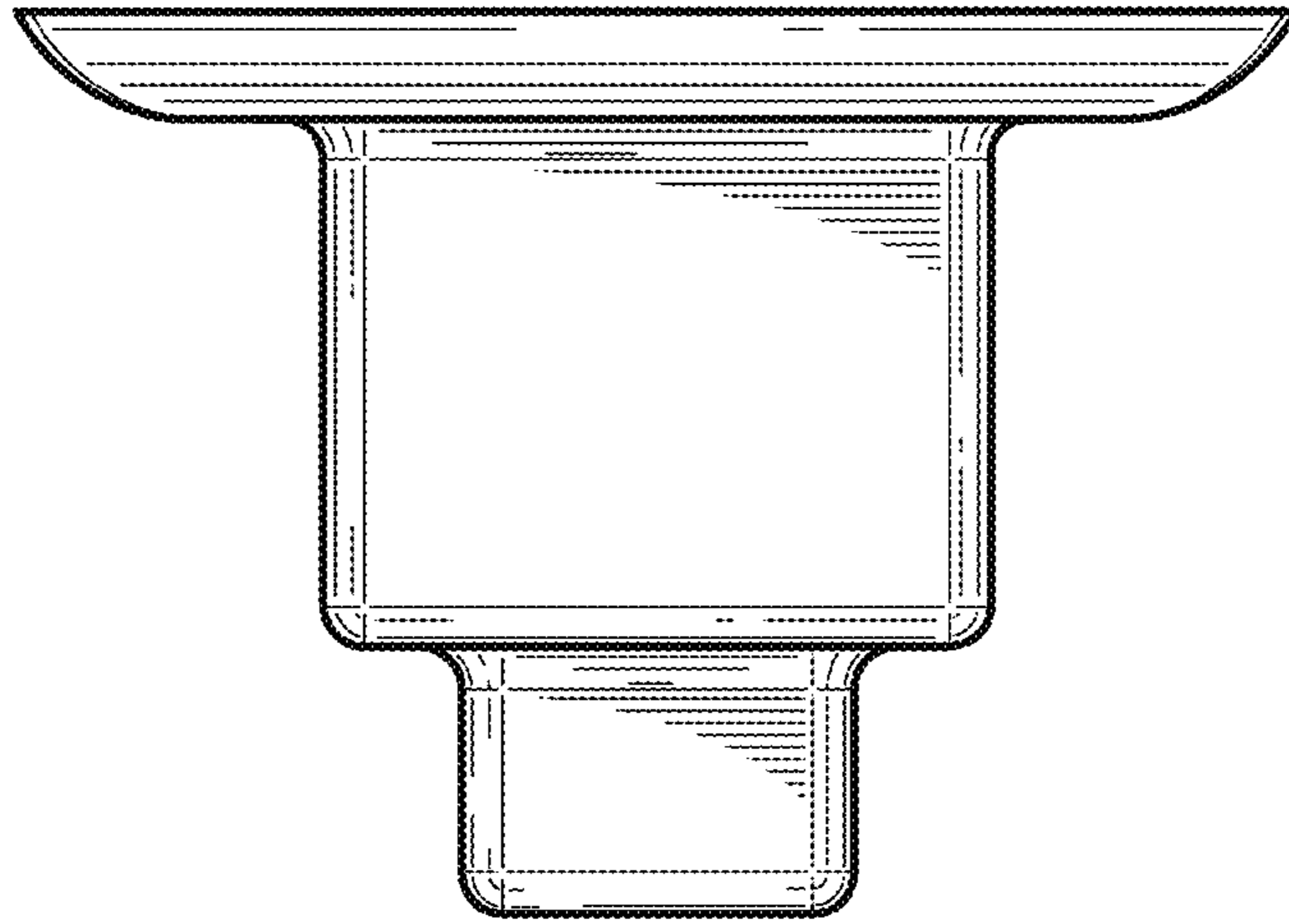


FIG. 5

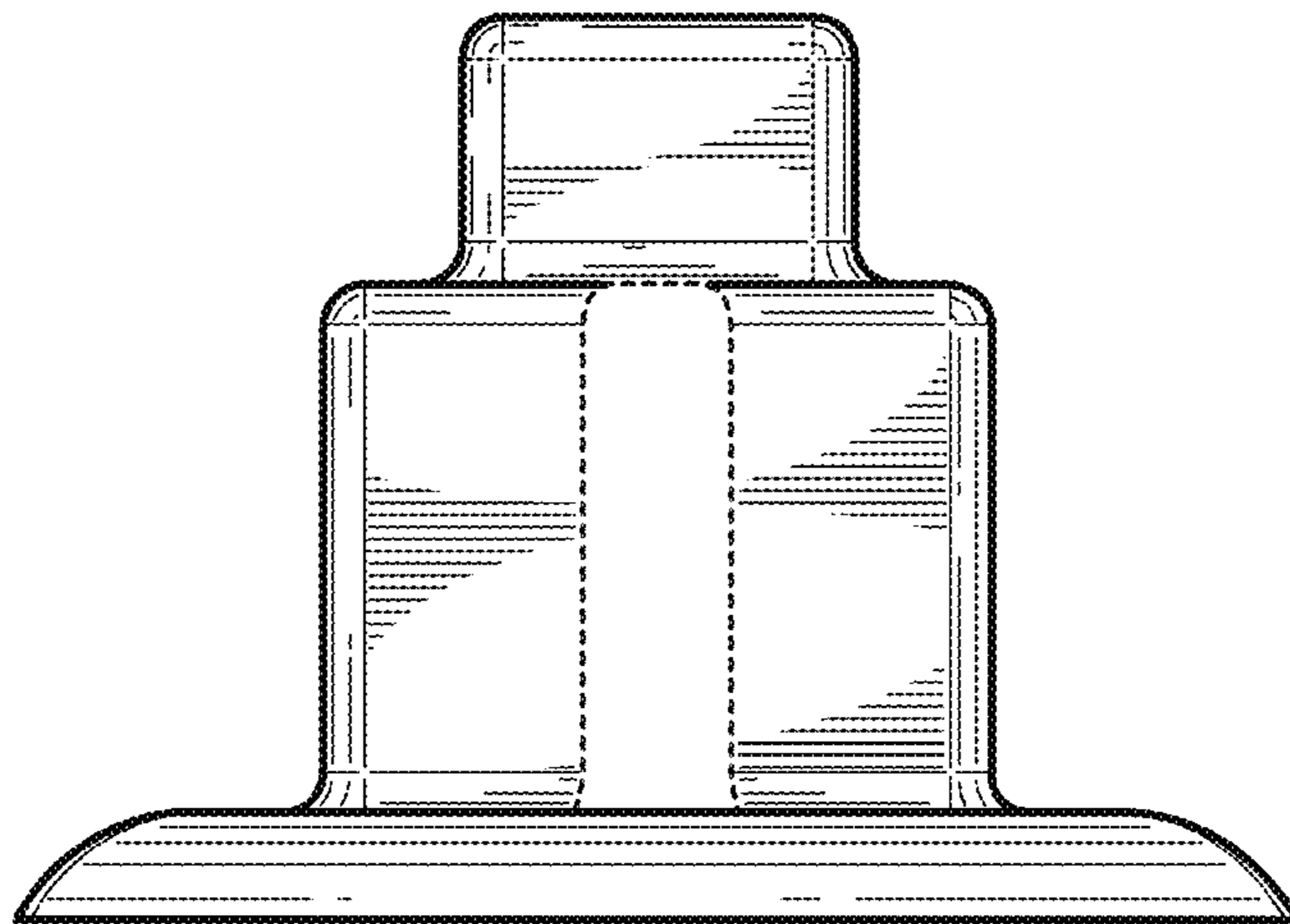


FIG. 6