



US00D793843S

(12) **United States Design Patent**
Ross et al.

(10) **Patent No.:** **US D793,843 S**
(45) **Date of Patent:** **** Aug. 8, 2017**

- (54) **SUPPORT ASSEMBLY**
- (71) Applicant: **CHALLENGER HARDWARE COMPANY**, Brooklyn Heights, OH (US)
- (72) Inventors: **Joseph M. Ross**, Pepper Pike, OH (US); **Timothy W. Kaiser**, Sedan, KS (US)
- (73) Assignee: **Oneida Engineered Products, Inc.**, Oakwood Village, OH (US)
- (**) Term: **14 Years**
- (21) Appl. No.: **29/490,854**
- (22) Filed: **May 14, 2014**
- (51) **LOC (10) Cl.** **08-08**
- (52) **U.S. Cl.**
USPC **D8/349**
- (58) **Field of Classification Search**
USPC D8/349, 355; D12/317; 297/411.32, 297/411.2
CPC A47C 7/543; A47C 7/54; A47C 31/004; B60N 2/46; B60N 2/4606
See application file for complete search history.

- (56) **References Cited**
U.S. PATENT DOCUMENTS
- 4,073,538 A * 2/1978 Hunter A47C 7/543 248/242
- 4,621,864 A * 11/1986 Hill B60N 2/242 297/115
- 5,171,063 A * 12/1992 Stidd B60N 2/0717 297/344.1
- D401,495 S * 11/1998 Fischer D8/349
- D403,232 S * 12/1998 Fischer D8/349
- D413,058 S * 8/1999 Murakami D8/382
- D416,474 S * 11/1999 Wang D8/382
- D420,279 S * 2/2000 Wang D8/382

- D420,280 S * 2/2000 Wang D8/382
- D420,894 S * 2/2000 Wang D8/382
- 6,203,101 B1 * 3/2001 Chou A47C 7/543 297/115
- D453,104 S * 1/2002 Liu D8/382
- D514,500 S * 2/2006 Schultz D12/317
- D534,792 S * 1/2007 Cooper D25/133
- D553,956 S * 10/2007 Jones D8/355
- 7,296,858 B2 * 11/2007 Ruspa B60N 2/242 297/411.27
- 7,568,766 B2 * 8/2009 Chen B60N 2/4633 292/DIG. 37
- D752,960 S * 4/2016 Fujioka D21/658
- 2005/0275271 A1 * 12/2005 Magnuson B60N 2/46 297/411.38

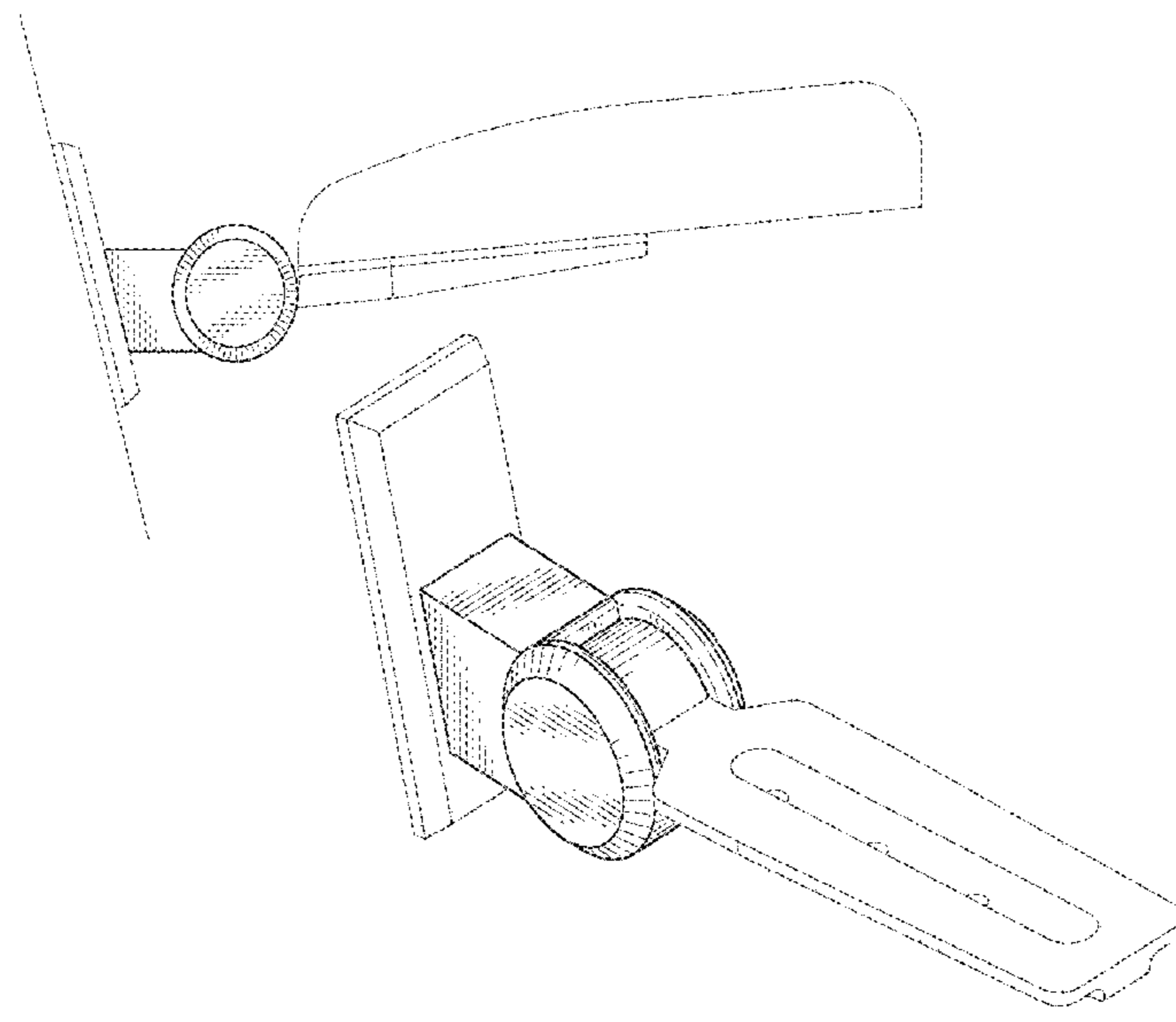
(Continued)

Primary Examiner — Mark Goodwin
(74) *Attorney, Agent, or Firm* — Frost Brown Todd LLC

(57) **CLAIM**
The ornamental design for a support assembly, as shown and described.

DESCRIPTION
FIG. 1 illustrates a left side elevational view of an exemplary support assembly of the present invention in a first position and having a support arm and a back brace shown in broken lines;
FIG. 2 illustrates a perspective view thereof;
FIG. 3 illustrates a front elevational view thereof;
FIG. 4 illustrates a back elevational view thereof;
FIG. 5 illustrates a right side elevational view thereof;
FIG. 6 illustrates a left side elevational view thereof;
FIG. 7 illustrates a top plan view thereof;
FIG. 8 illustrates a bottom plan view thereof; and,
FIG. 9 illustrates a left side elevational view of the support assembly in a second position.
The broken lines illustrate portions of the support assembly which form no part of the claimed design.

1 Claim, 6 Drawing Sheets



(56)

References Cited

U.S. PATENT DOCUMENTS

2007/0158991 A1* 7/2007 Chen B60N 2/4633
297/411.32
2009/0295212 A1* 12/2009 Yamane B60N 2/4633
297/411.32
2015/0327683 A1* 11/2015 Ross A47C 7/54
297/411.32
2015/0343925 A1* 12/2015 Bohlke B60N 2/4633
297/411.32
2016/0022046 A1* 1/2016 Yamane B60N 2/464
297/411.32

* cited by examiner

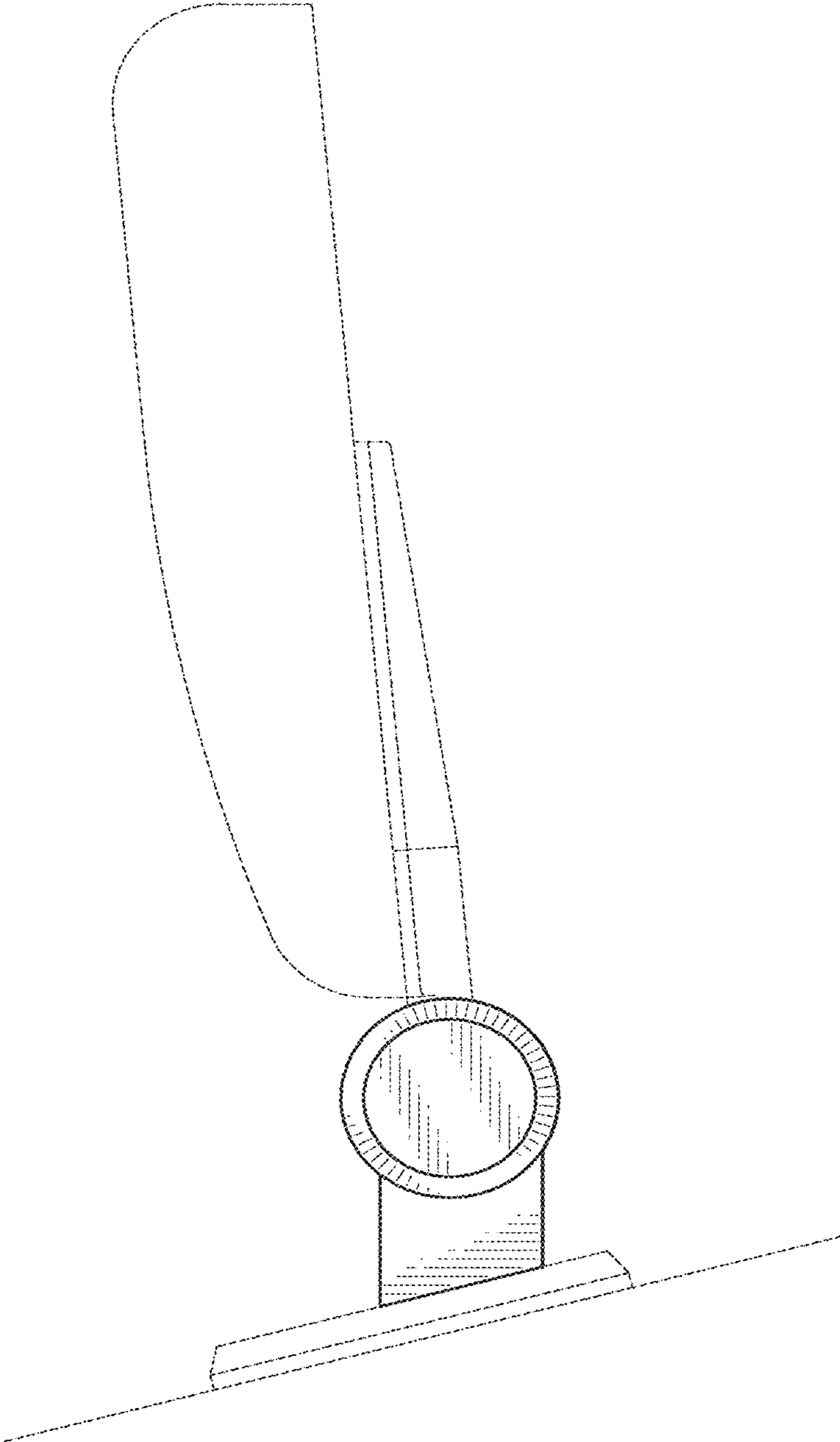


FIG. 1

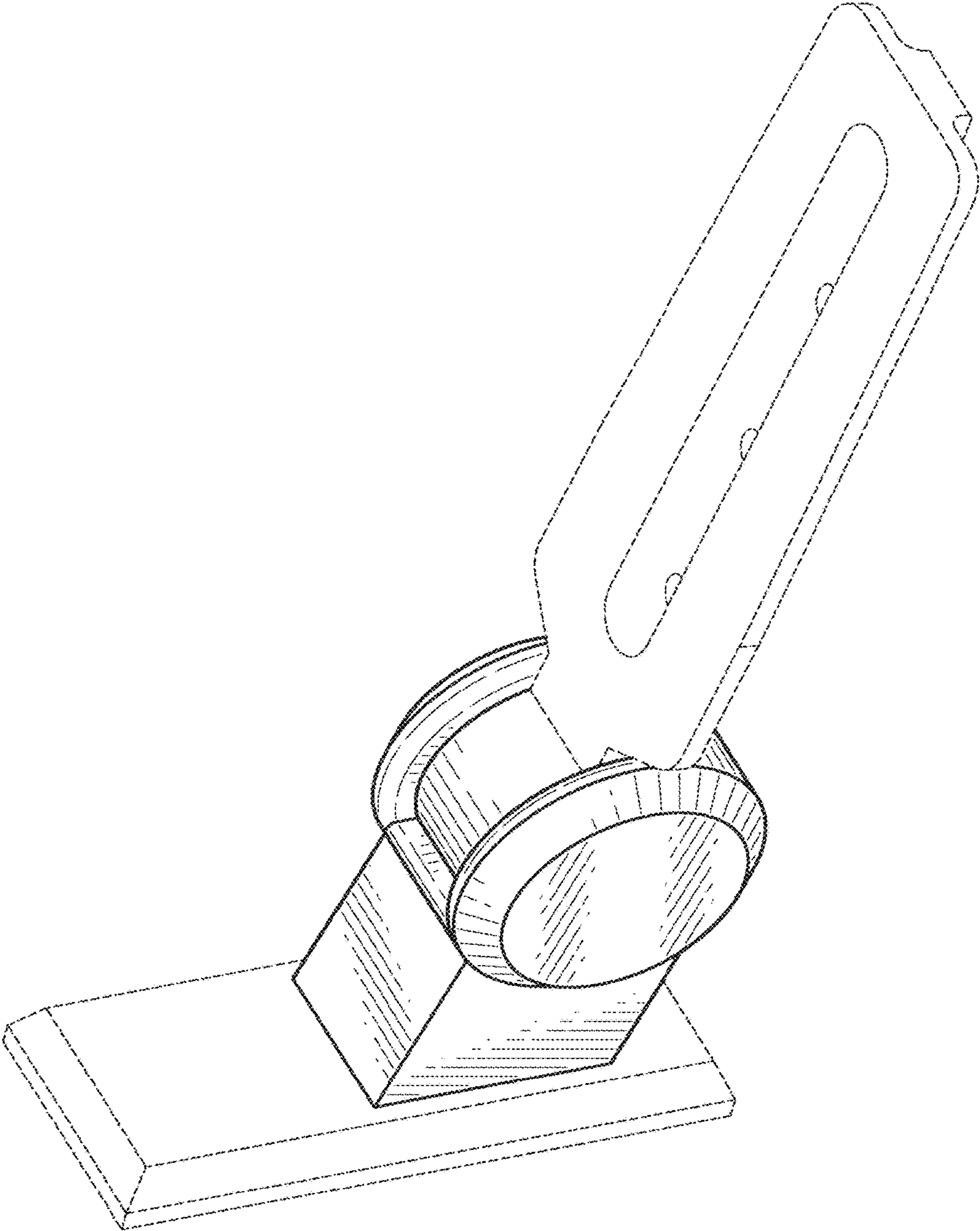


FIG. 2

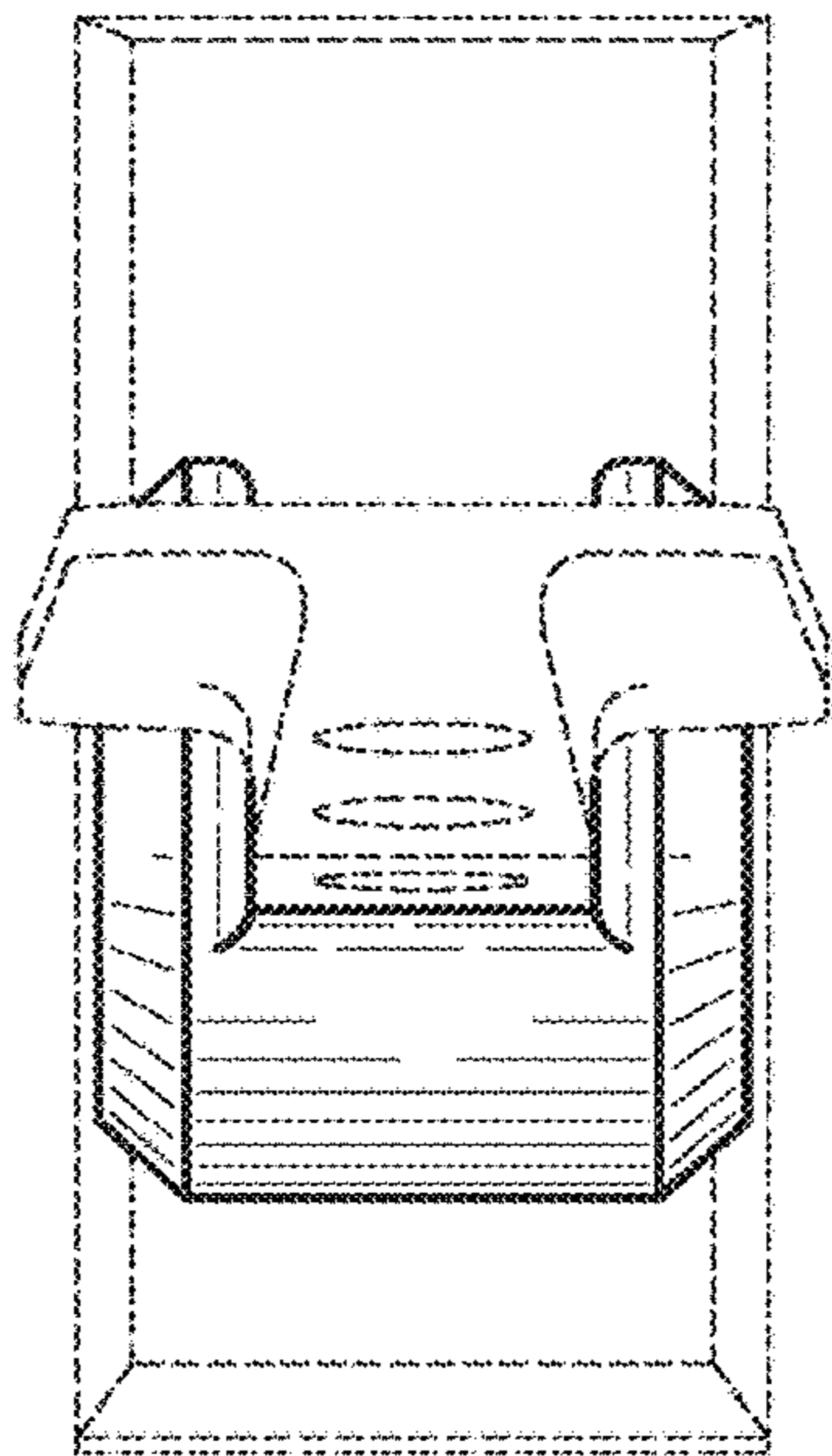


FIG. 3

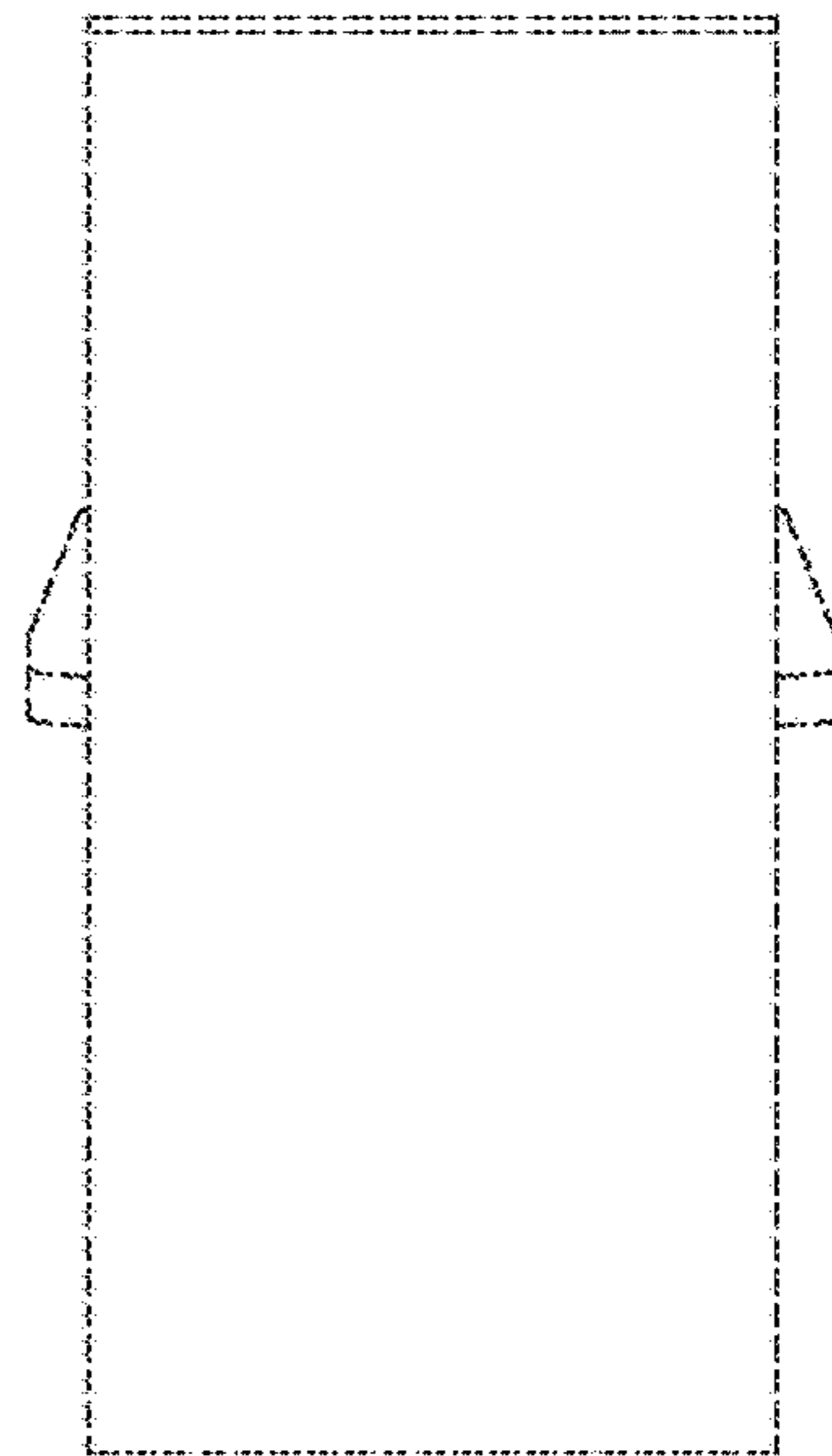


FIG. 4

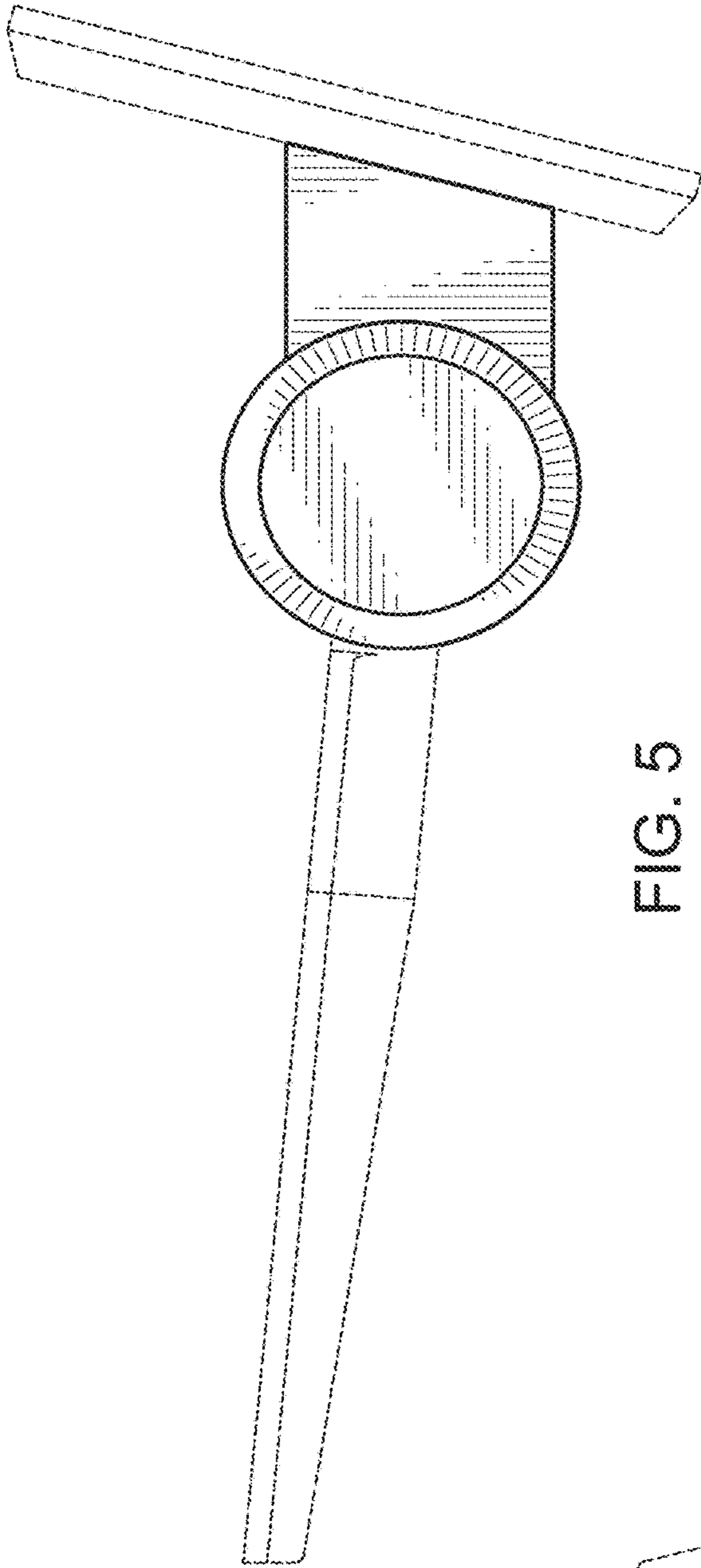


FIG. 5

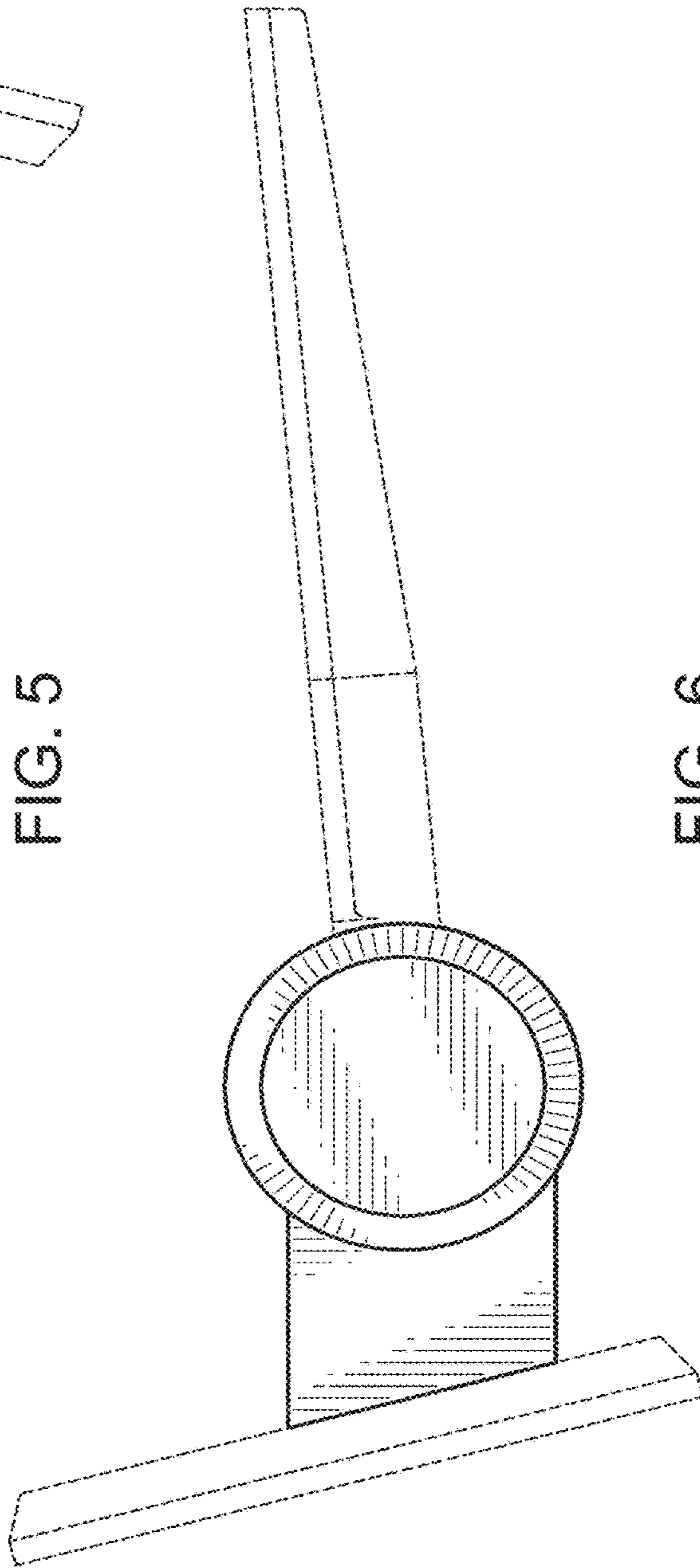


FIG. 6

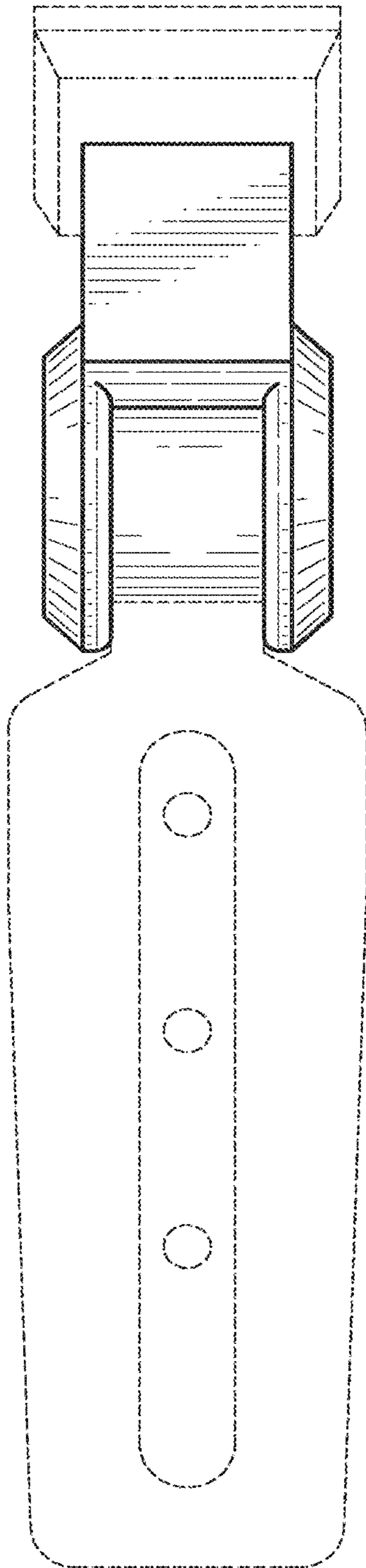


FIG. 7

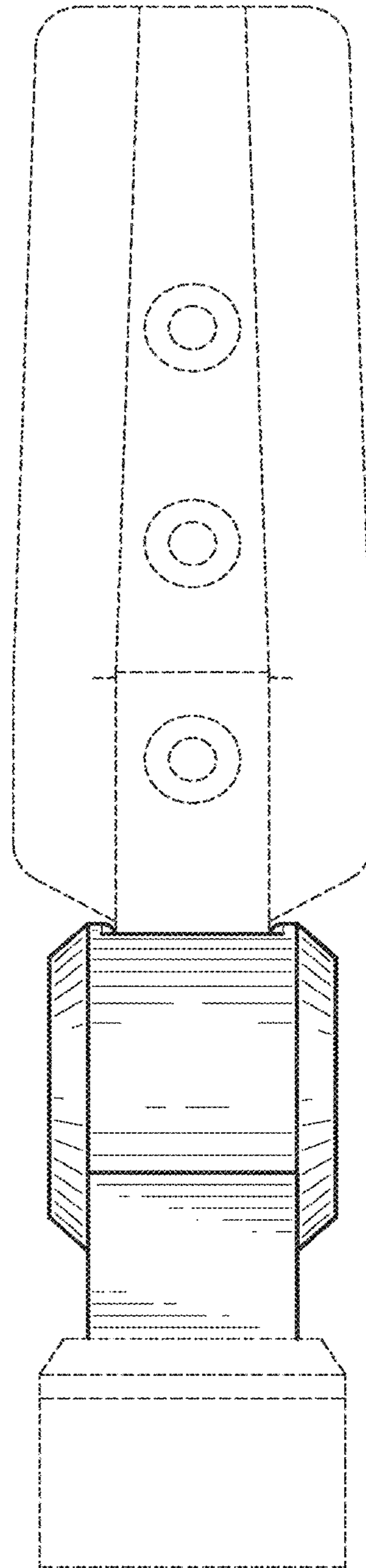


FIG. 8

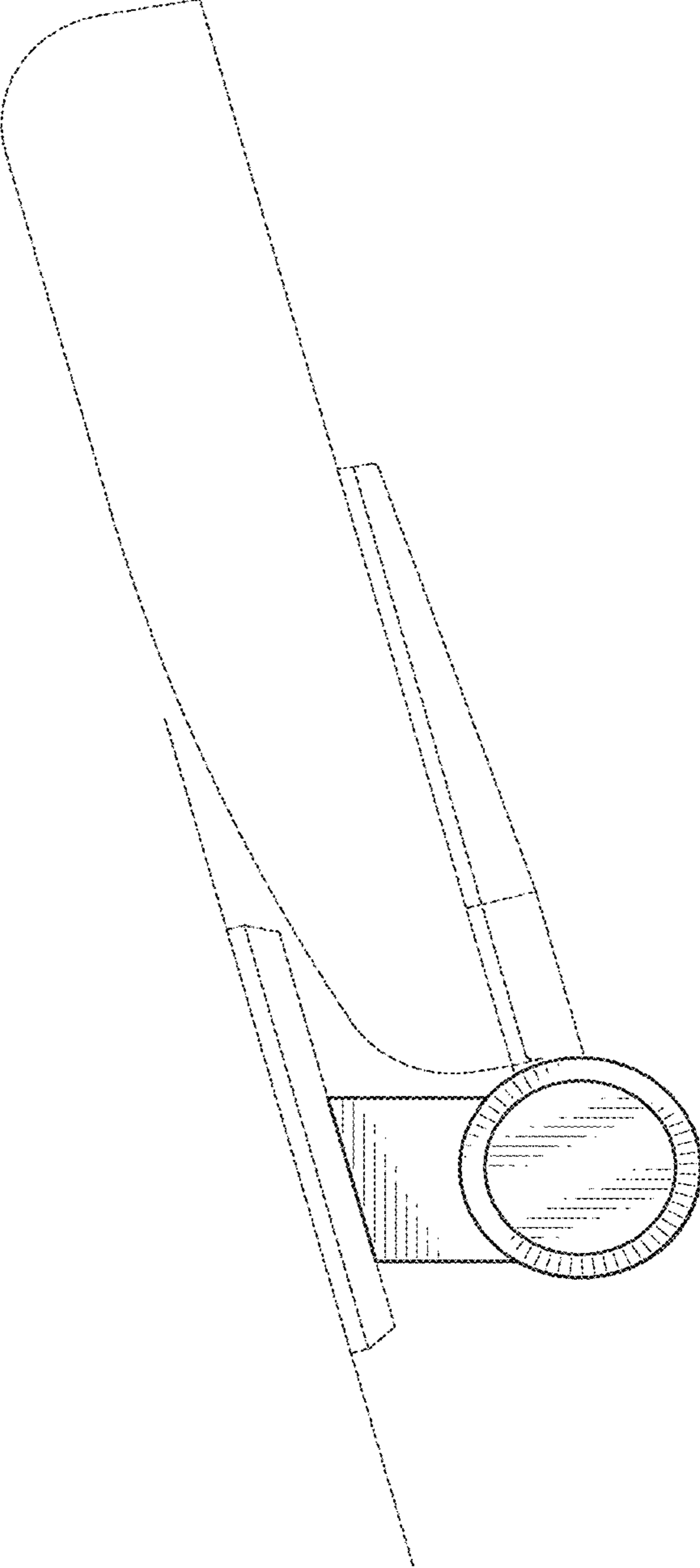


FIG. 9