



US00D793842S

(12) **United States Design Patent** (10) **Patent No.:** **US D793,842 S**
van der Rest et al. (45) **Date of Patent:** **** Aug. 8, 2017**

- (54) **CASE FOR HEAT GUN** 5,002,093 A * 3/1991 Connolly, Jr. F16L 55/17
138/97
- (71) Applicant: **WAGNER Spraytech (UK) Ltd.,** D338,446 S * 8/1993 Werner D13/156
Guildford, Surrey (GB) 5,263,344 A * 11/1993 Madison D06F 39/12
70/14
- (72) Inventors: **Paul van der Rest,** Guildford (GB); 5,277,599 A * 1/1994 Nilson H01R 13/60
Dan Byne, Angmering (GB); **Philip** 439/133
Paice, Hindhead (GB); **Matthias** D344,443 S * 2/1994 Ashby D13/156
Mazur, Hamburg (DE); **Heiko Tullney,** D582,254 S * 12/2008 Turpault D8/343
Hamburg (DE) D582,255 S * 12/2008 Turpault D8/343
D637,471 S * 5/2011 Roy D8/330
8,573,395 B1 * 11/2013 Dafni A45C 11/00
206/235
- (73) Assignee: **Wagner Spraytech (UK) Ltd.,** 8,922,985 B2 * 12/2014 Richardson G06F 1/1626
Guildford, Surrey (GB) 206/320

(**) Term: **15 Years**

* cited by examiner

(21) Appl. No.: **29/567,782**

Primary Examiner — Prabhakar G Deshmukh

(22) Filed: **Jun. 13, 2016**

(74) *Attorney, Agent, or Firm* — Burr & Brown, PLLC

(30) **Foreign Application Priority Data**

Dec. 14, 2015 (EM) 001446074-0001

(51) **LOC (10) Cl.** **08-07**

(52) **U.S. Cl.** **D8/346**
USPC

(58) **Field of Classification Search**
USPC D8/330, 331, 343, 346, 398, 394, 449;
70/14, 61, 69, 57, 57.1, 158, 164, 431,
70/448, 465, 466, 51-56; 206/138, 207,
206/265, 3, 320; D3/905

CPC E05B 1/00; E05B 9/00; E05B 9/04; E05B
9/08; E05B 67/02; E05B 17/0004

See application file for complete search history.

(56) **References Cited**

U.S. PATENT DOCUMENTS

4,531,639 A * 7/1985 Zopf B65D 81/022
206/3

4,782,971 A * 11/1988 Hill H01R 13/6397
220/3.2

(57) **CLAIM**

The ornamental design for a case for heat gun, as shown and described.

DESCRIPTION

FIG. 1 is a right side view of a case for heat gun illustrating our new design;

FIG. 2 is a left side view thereof;

FIG. 3 is a top view thereof;

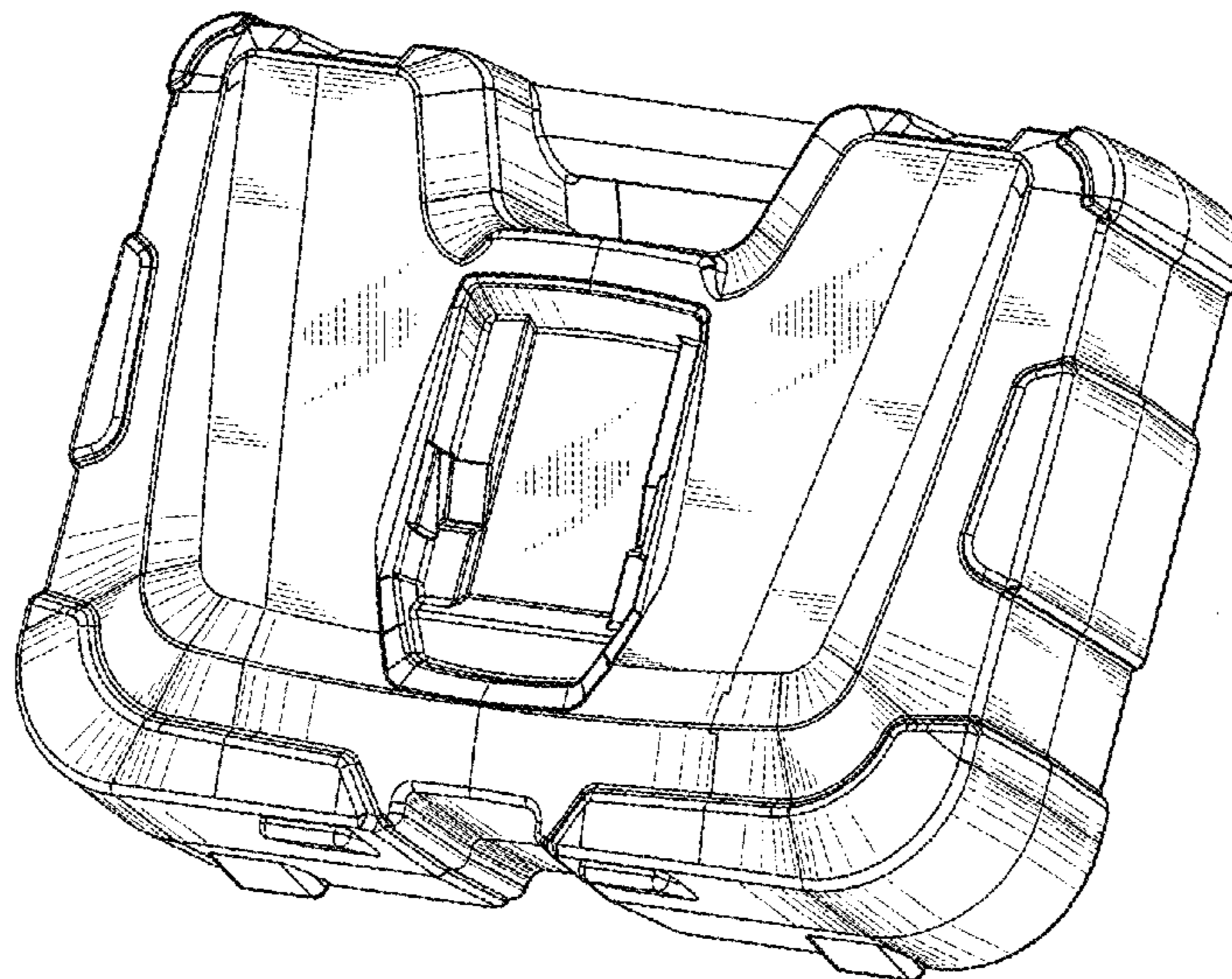
FIG. 4 is a bottom view thereof;

FIG. 5 is a front view thereof;

FIG. 6 is a rear view thereof; and,

FIG. 7 is a front perspective view thereof.

1 Claim, 7 Drawing Sheets



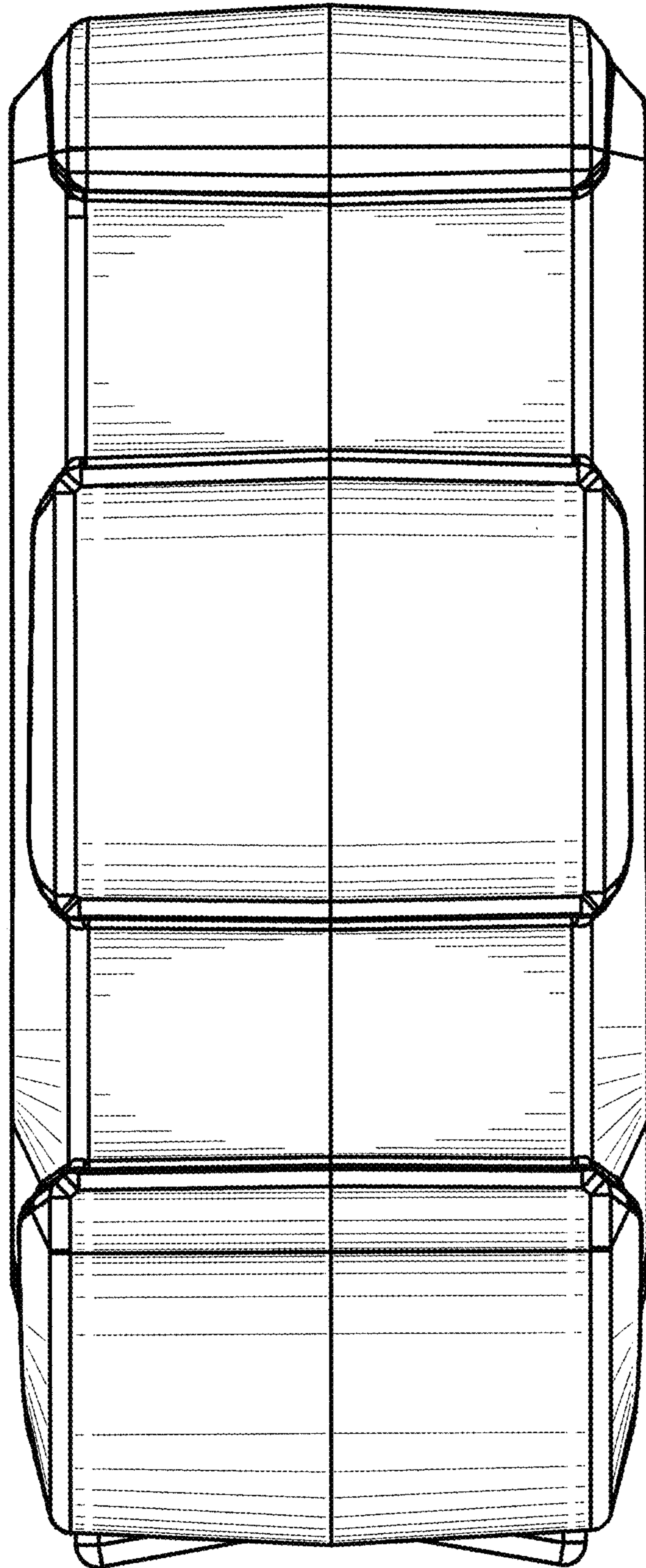


Fig. 1

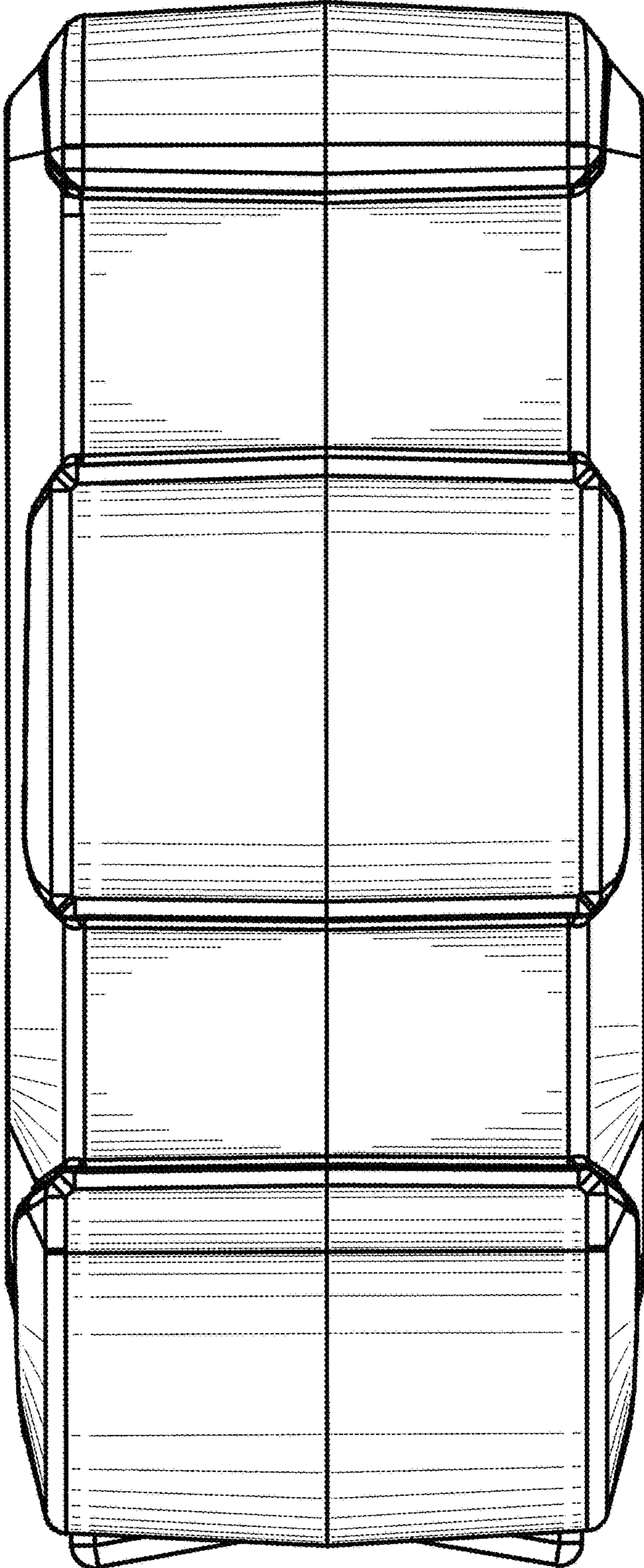


Fig. 2

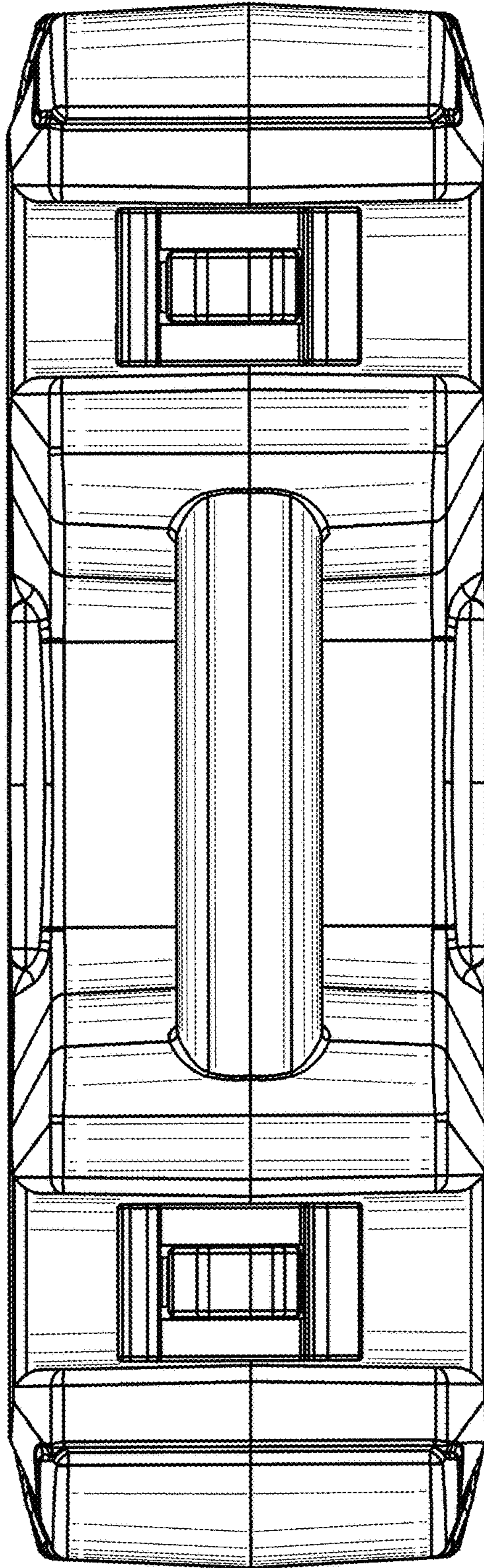


Fig. 3

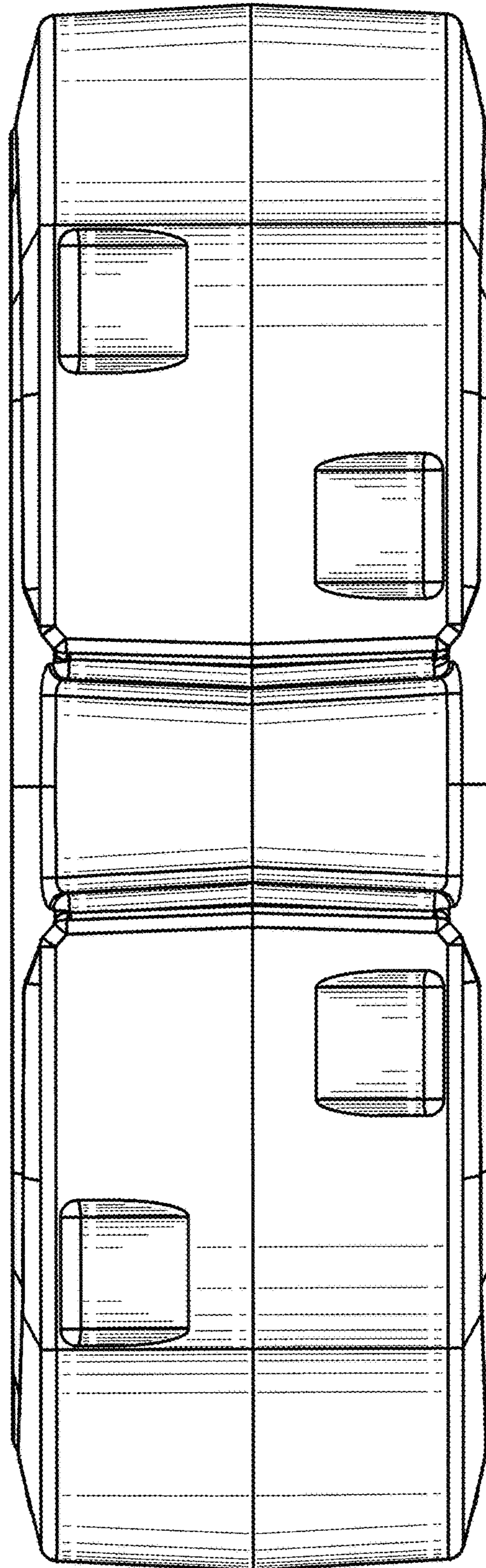


Fig. 4

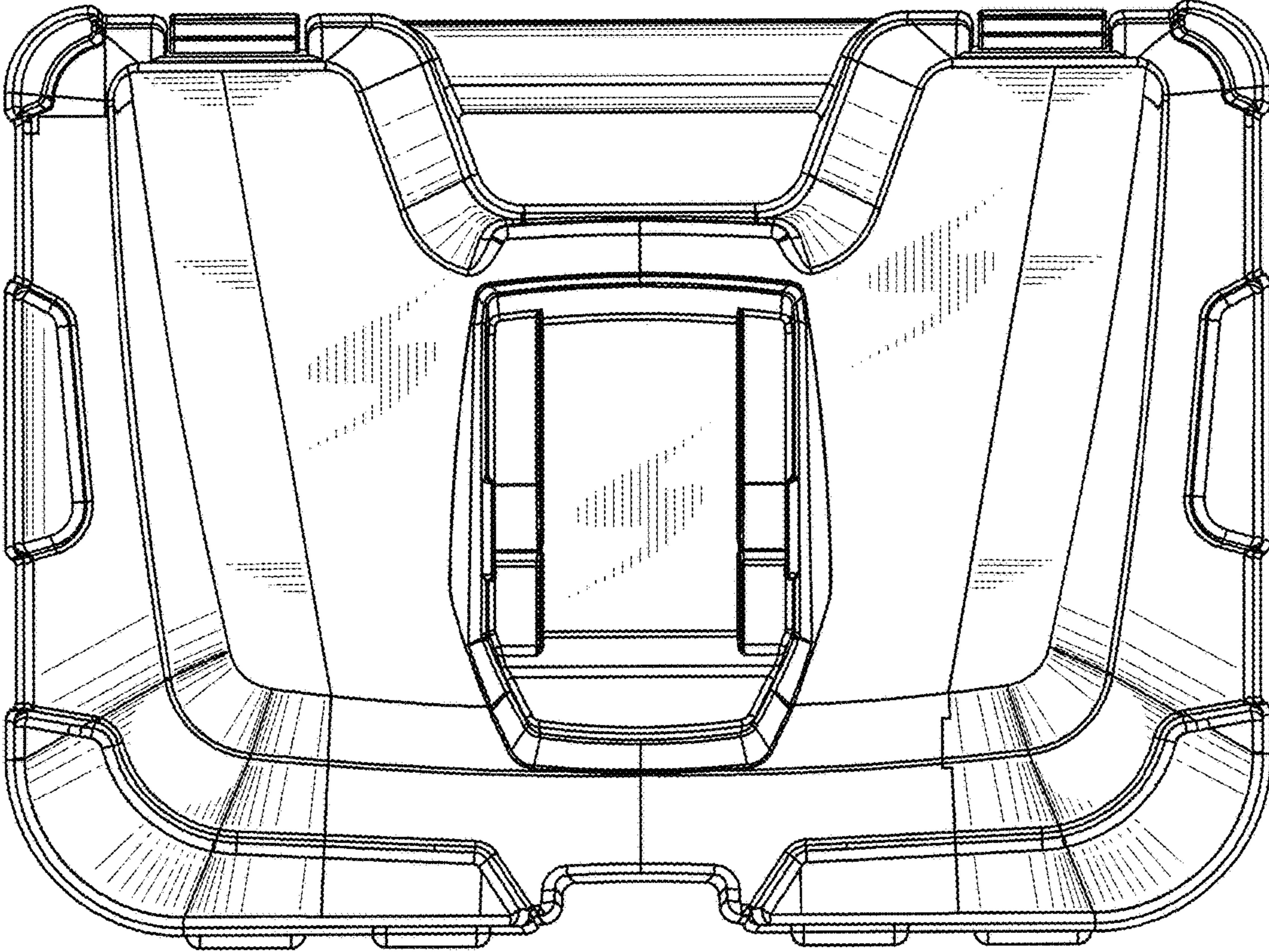


Fig. 5

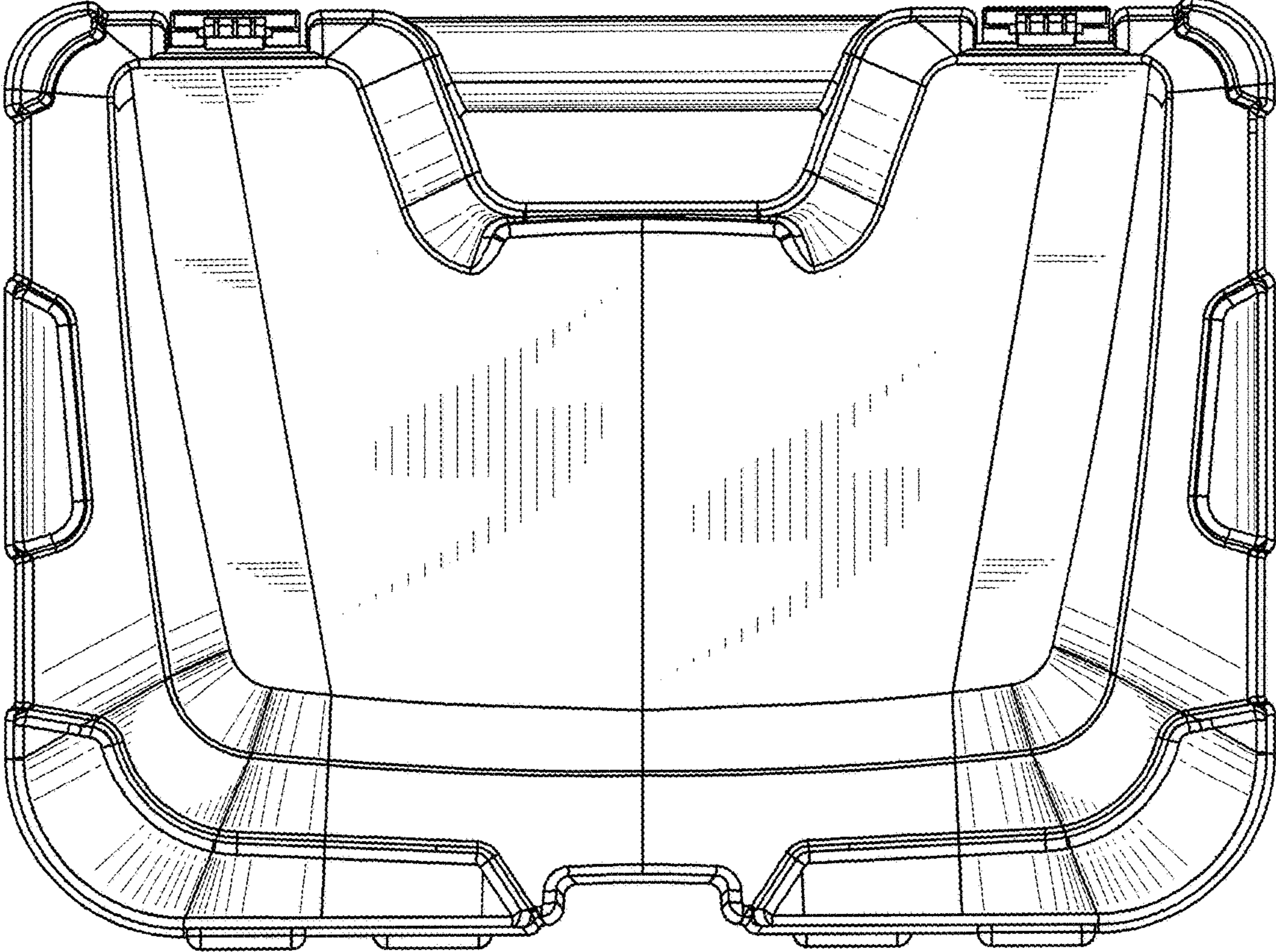


Fig. 6

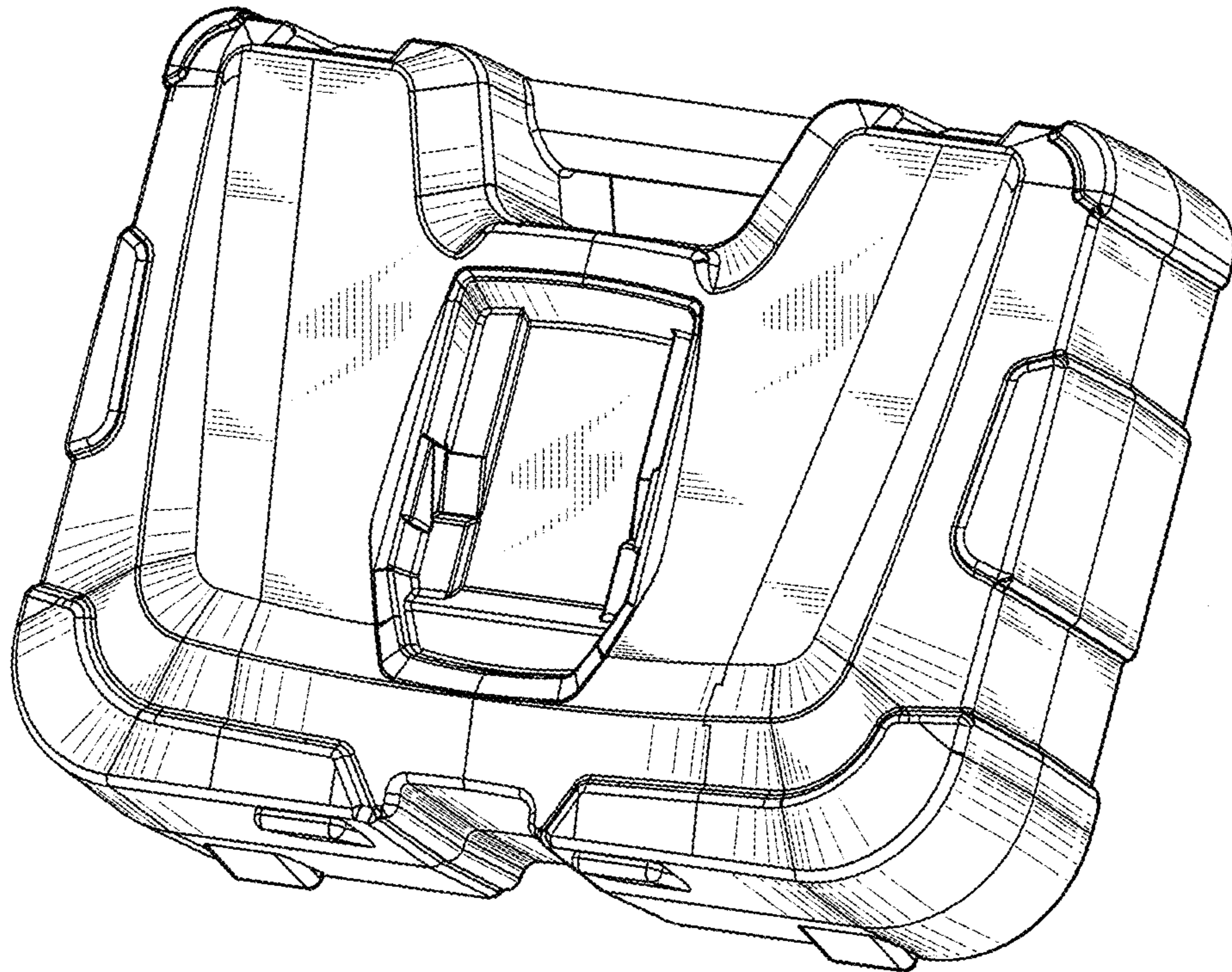


Fig. 7