



US00D793840S

(12) **United States Design Patent**
Richardson

(10) **Patent No.:** **US D793,840 S**

(45) **Date of Patent:** **** Aug. 8, 2017**

(54) **HYDRAULIC FITTING LOCK SYSTEM**

(71) Applicant: **Brendon Richardson**, Kingwood, TX
(US)

(72) Inventor: **Brendon Richardson**, Kingwood, TX
(US)

(**) Term: **15 Years**

(21) Appl. No.: **29/566,308**

(22) Filed: **May 27, 2016**

(51) **LOC (10) Cl.** **08-07**

(52) **U.S. Cl.**

USPC **D8/330**; D8/331; D8/343

(58) **Field of Classification Search**

USPC D8/330, 331, 333, 317, 335, 336, 337,
D8/338, 341, 342, 348, 350, 352; 70/14,
70/20, 21, 24, 27, 32, 39, 41, 52-56, 86,
70/423, 57, DIG. 38, DIG. 39; 285/86,
285/92, 328, 330, 331

CPC E05B 67/36; E05B 65/48; E05B 17/18;
E05B 63/00; E05B 65/00; F16L 19/00;
F16L 25/00; F16L 35/00; F16L 37/10

See application file for complete search history.

(56) **References Cited**

U.S. PATENT DOCUMENTS

1,851,992	A *	4/1932	Smith	F16L 37/248 285/148.13
2,497,441	A *	2/1950	Detweiler	F16L 19/028 285/133.21
4,230,349	A *	10/1980	Normark	F16L 19/061 285/342
4,261,599	A *	4/1981	Streed	F16L 37/113 285/362
4,437,486	A *	3/1984	Bianchi	F16K 5/0626 137/315.11
5,094,491	A *	3/1992	Berghammer	F16L 41/10 285/179
D439,498	S *	3/2001	Hennig	D24/140

D534,785	S *	1/2007	Mlynarczyk	D8/331
D600,530	S *	9/2009	Caudell	D8/330
7,600,825	B2 *	10/2009	Ziegler	B60T 13/04 303/3
9,004,891	B2 *	4/2015	Turner	F04C 18/084 418/166
9,441,626	B2 *	9/2016	Patterson	F01C 21/0836

* cited by examiner

Primary Examiner — Prabhakar Deshmukh

(74) *Attorney, Agent, or Firm* — Law Office of Jeff
Williams; J. Oliver Williams

(57) **CLAIM**

The ornamental design for a hydraulic fitting lock system, as shown and described.

DESCRIPTION

FIG. 1 is a perspective view of a hydraulic fitting lock system showing my new design;

FIG. 2 is a top view of the hydraulic fitting lock system of FIG. 1.

FIG. 3 is a bottom view of the hydraulic fitting lock system of FIG. 1.

FIG. 4 is a right view of the hydraulic fitting lock system of FIG. 1.

FIG. 5 is a left view of the hydraulic fitting lock system of FIG. 1.

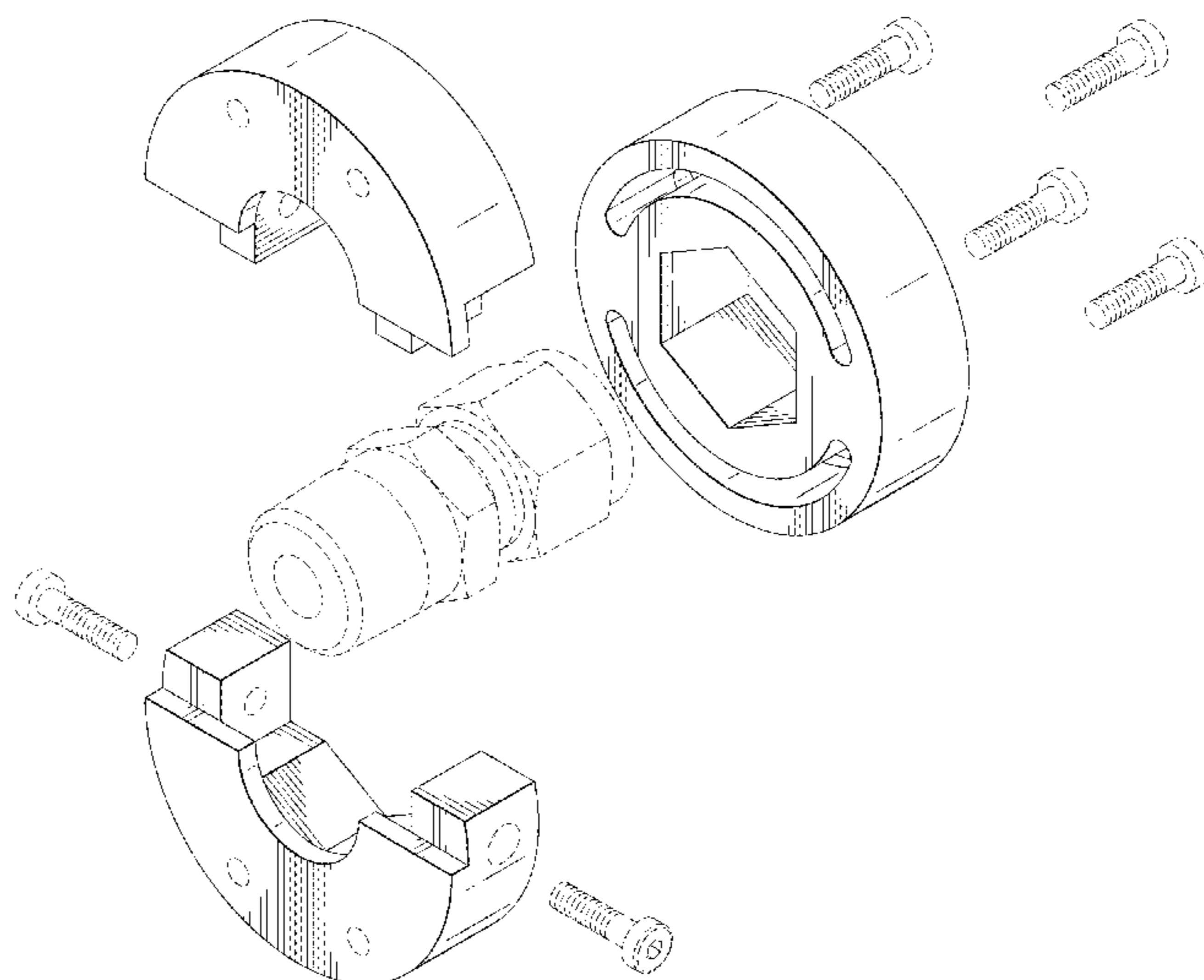
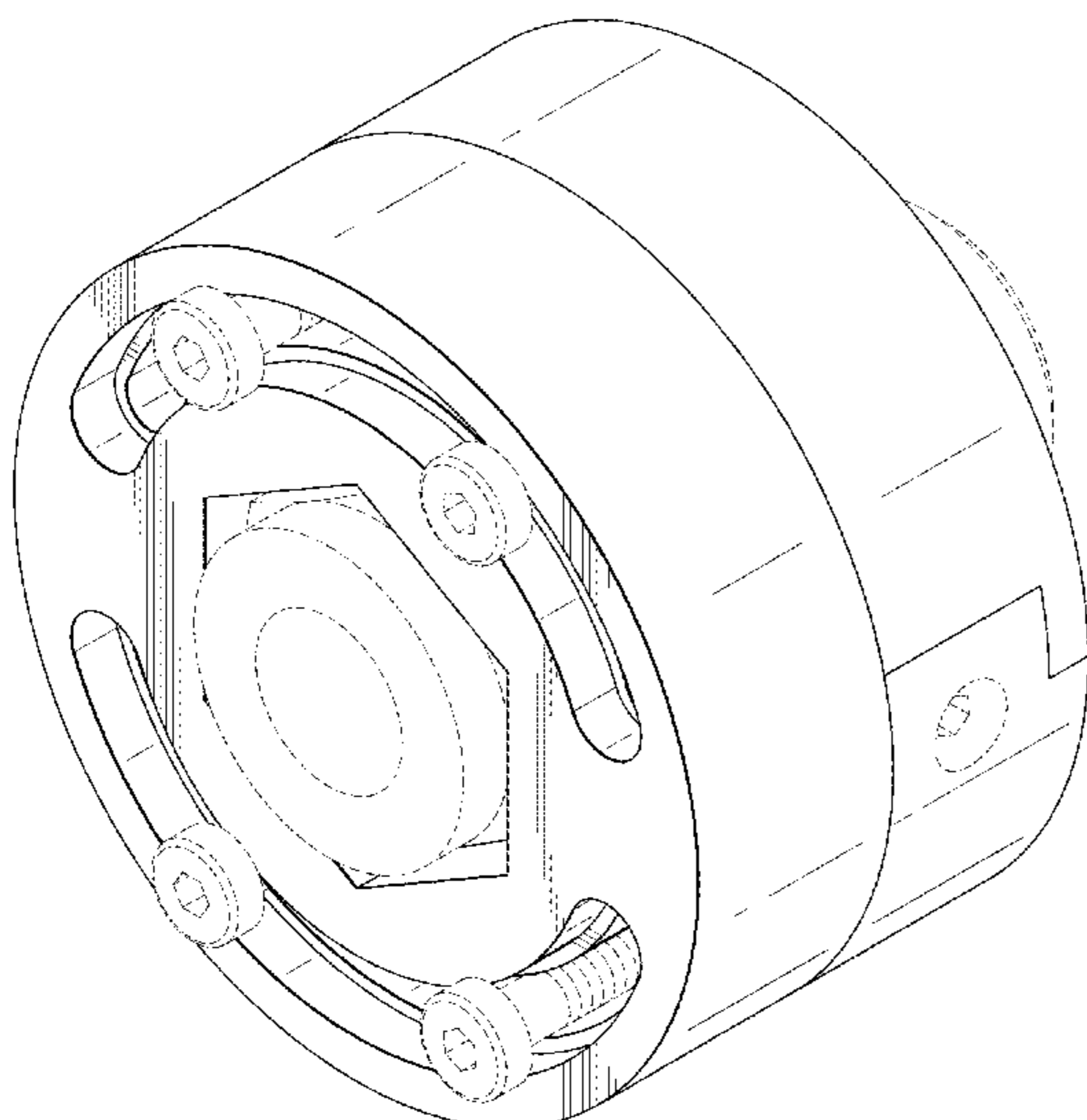
FIG. 6 is a back view of the hydraulic fitting lock system of FIG. 1.

FIG. 7 is a front view of the hydraulic fitting lock system of FIG. 1; and,

FIG. 8 is an exploded alternate perspective view of the hydraulic fitting lock system of FIG. 1.

The broken lines are included for the purpose of illustrating environmental structure and form no part of the claimed design.

1 Claim, 8 Drawing Sheets



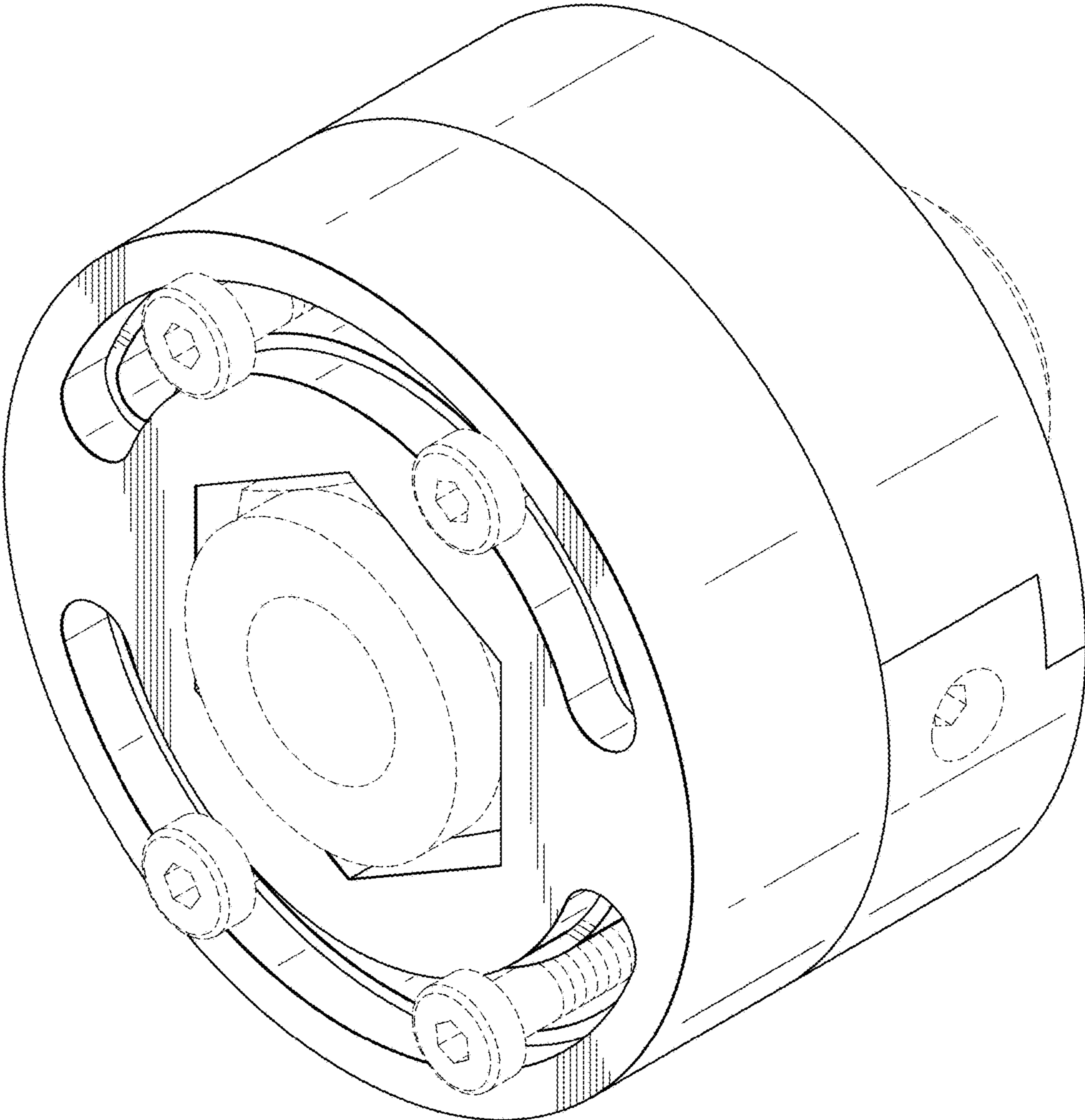


FIG. 1

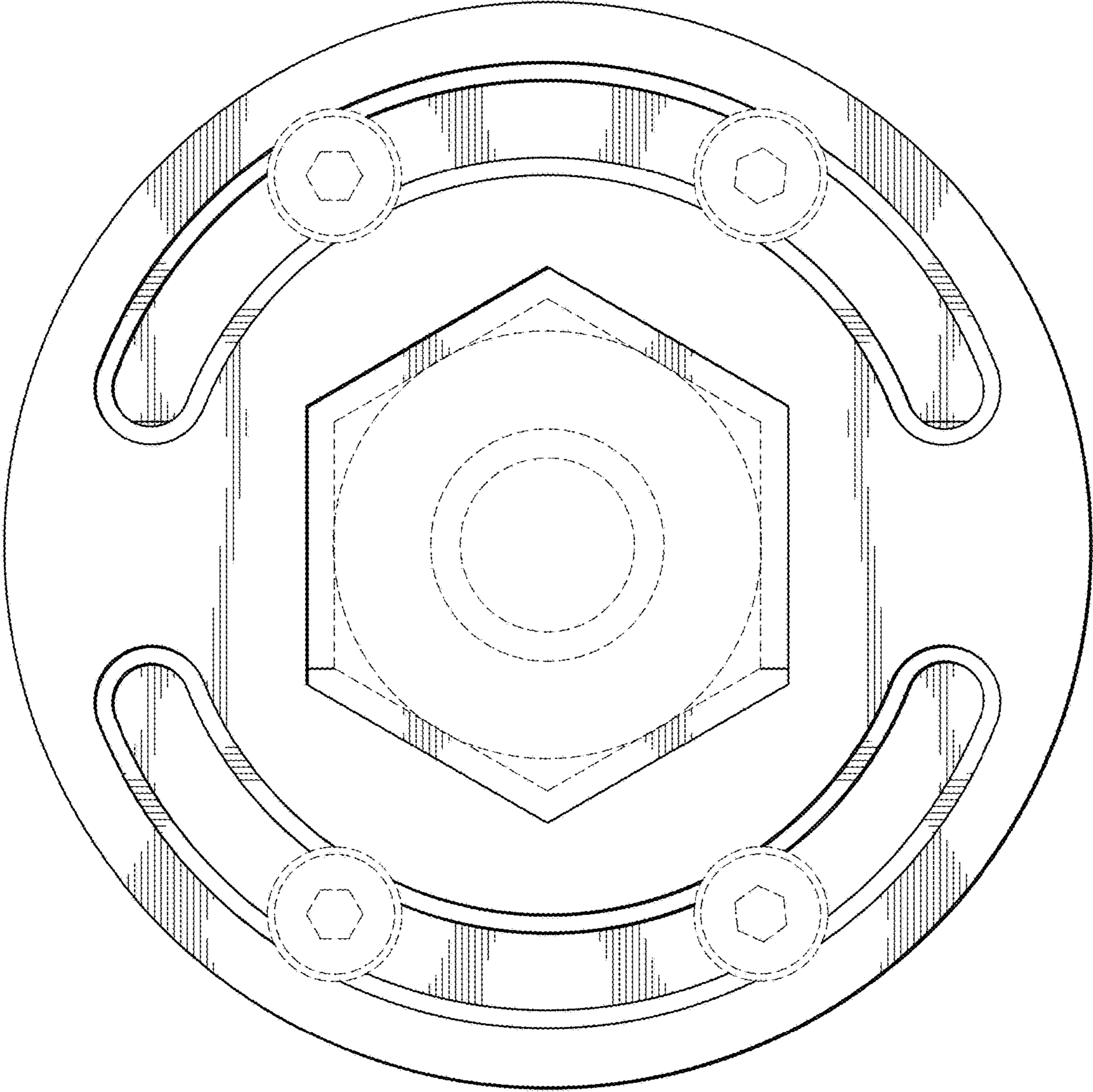


FIG. 2

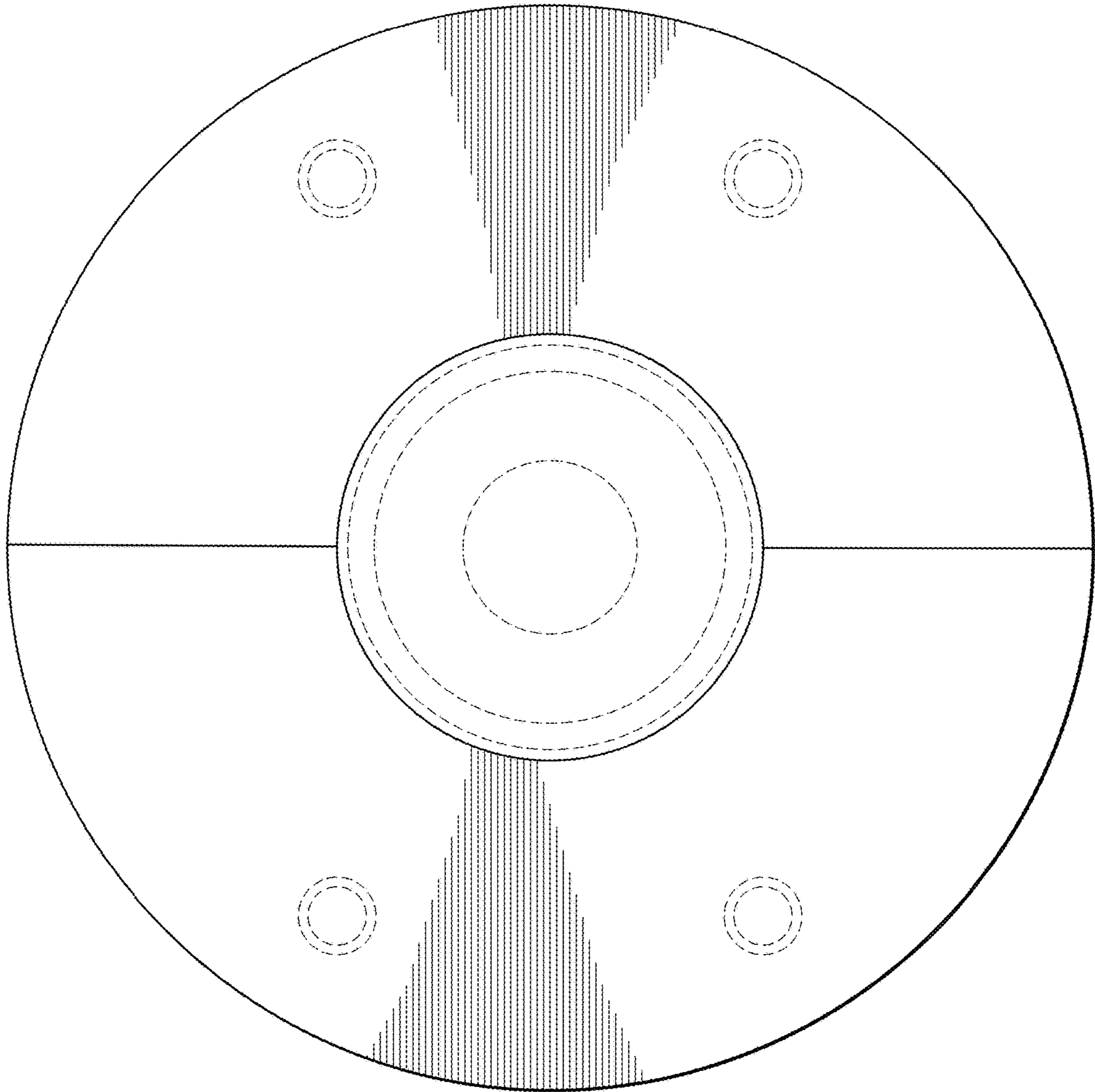


FIG. 3

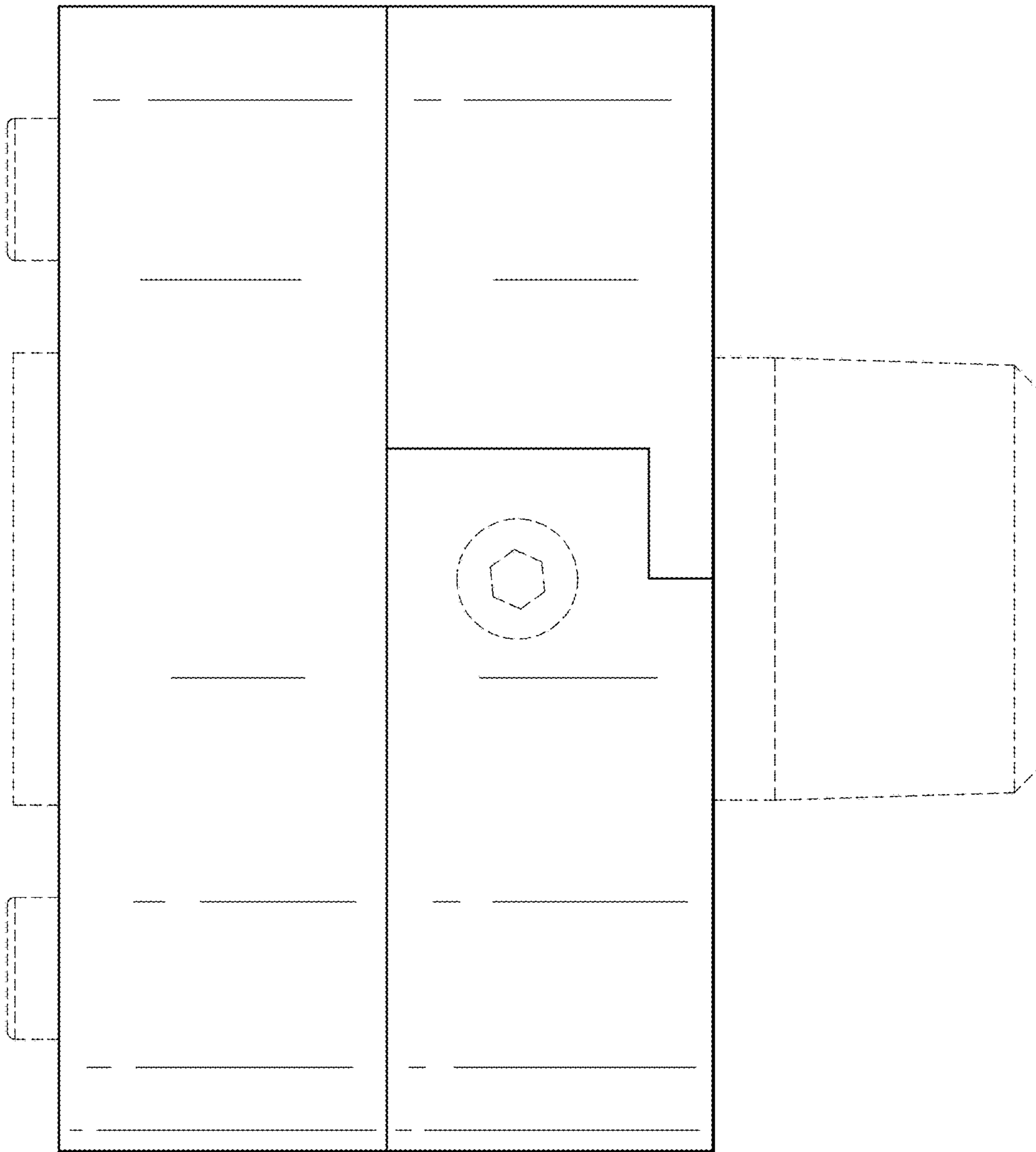


FIG. 4

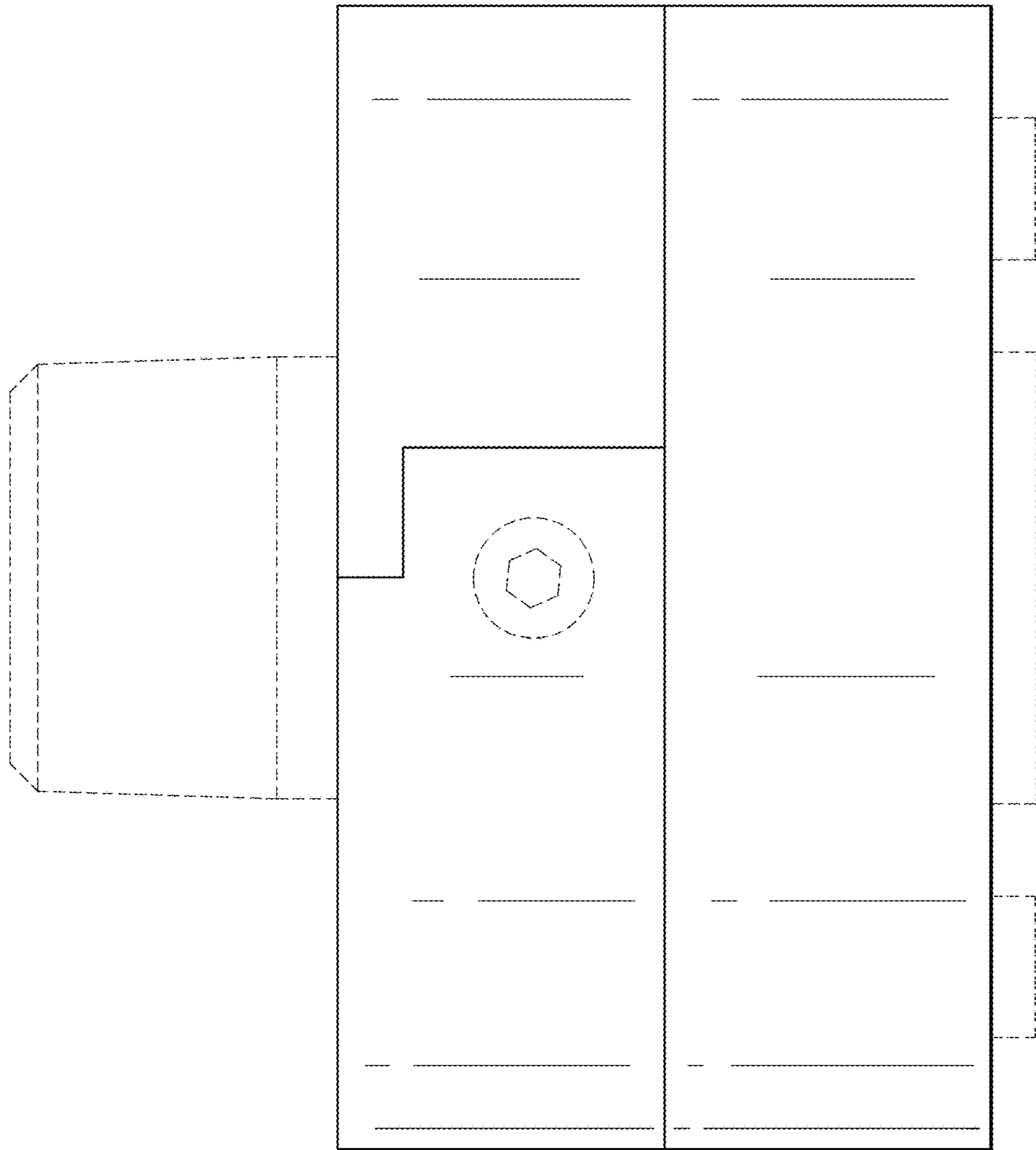


FIG. 5

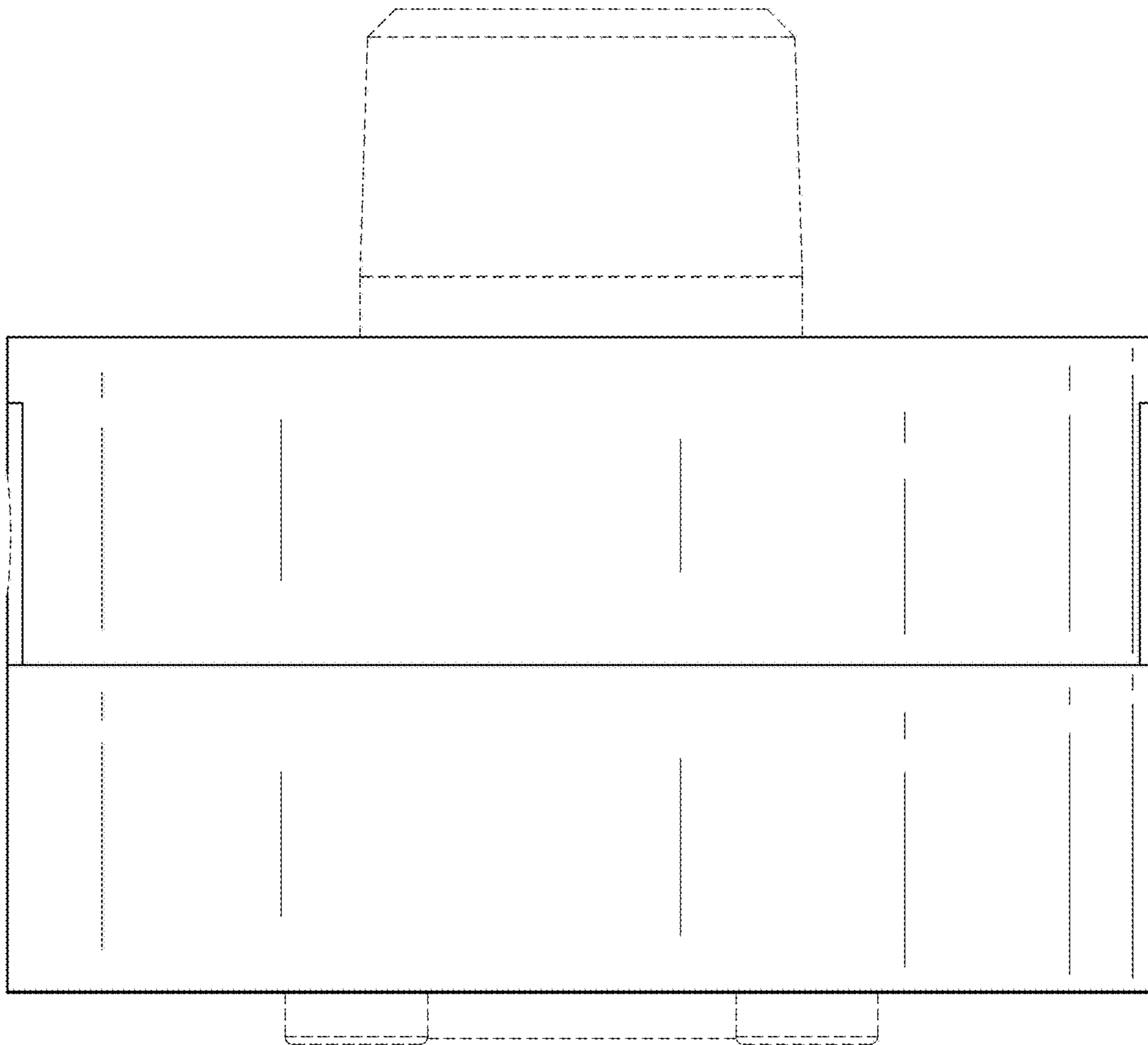


FIG. 6

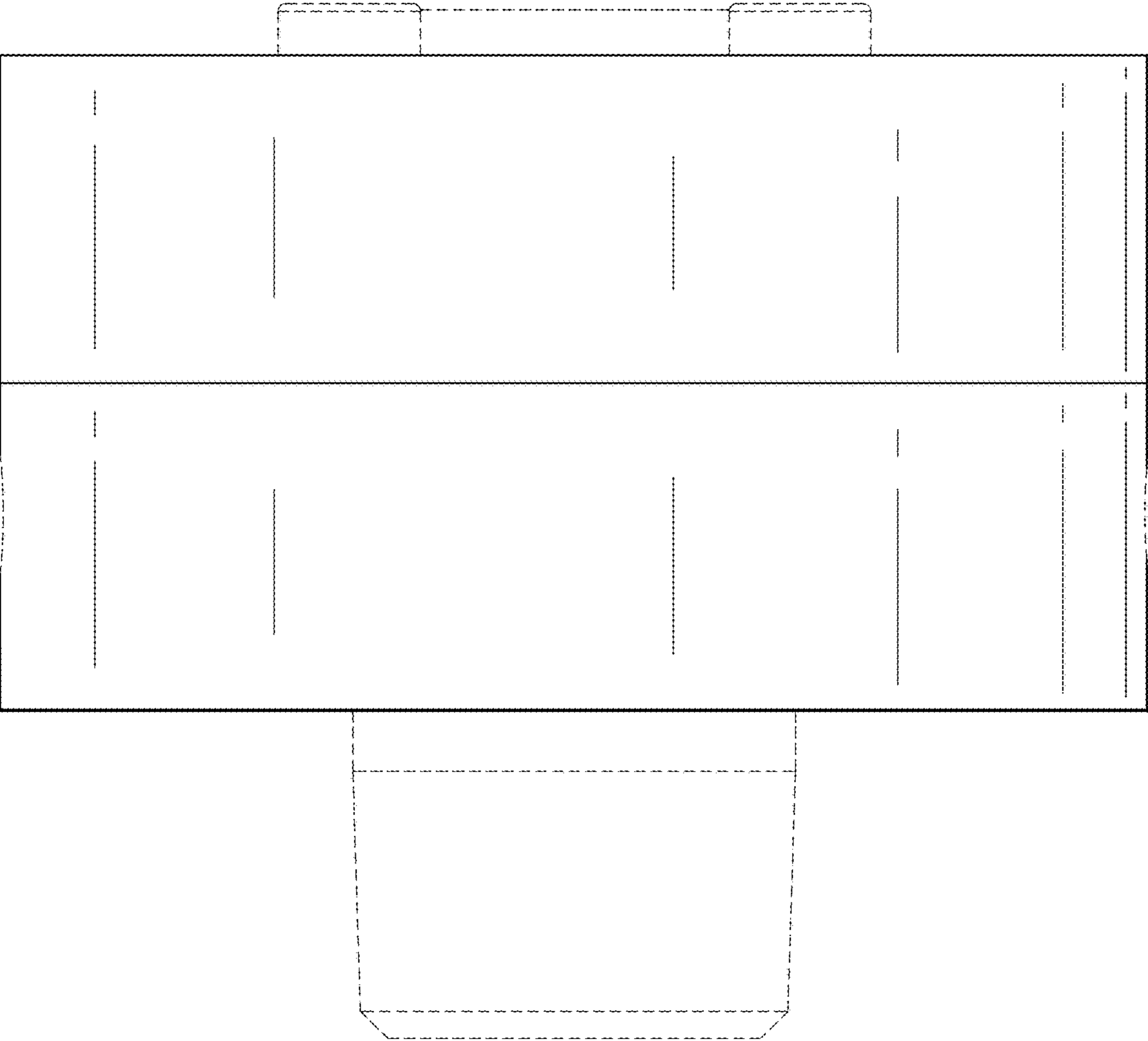


FIG. 7

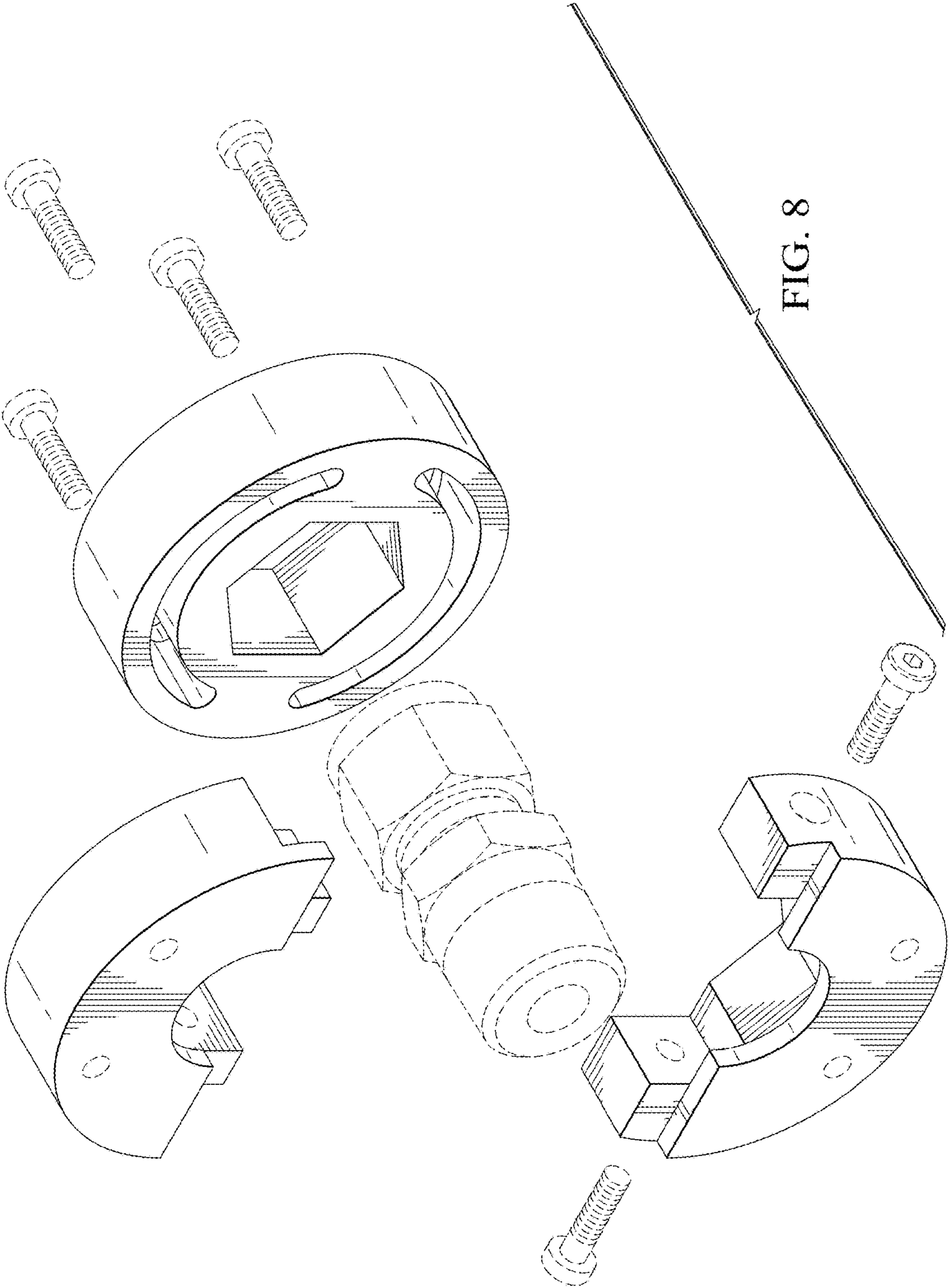


FIG. 8