

US00D793839S

(12) **United States Design Patent**
Darmali

(10) **Patent No.:** **US D793,839 S**

(45) **Date of Patent:** **** Aug. 8, 2017**

(54) **DOOR HANDLE**

(71) Applicant: **Julius Darmali**, Arcadia, CA (US)

(72) Inventor: **Julius Darmali**, Arcadia, CA (US)

(**) Term: **15 Years**

(21) Appl. No.: **29/558,198**

(22) Filed: **Mar. 15, 2016**

(51) **LOC (10) Cl.** **08-06**

(52) **U.S. Cl.**
USPC **D8/307**

(58) **Field of Classification Search**
USPC D8/302, 305, 307, 311, 315, 397, 75, 77,
D8/304; D7/318, 655, 650, 691;
D23/226, 249
CPC A47B 95/02; E05B 1/0015; E05B 1/00
See application file for complete search history.

(56) **References Cited**

U.S. PATENT DOCUMENTS

- 2,723,661 A * 11/1955 Hull A61B 13/00
600/240
- D245,095 S * 7/1977 Murray D8/17
- D318,319 S * 7/1991 Rokita D23/238

- D319,503 S * 8/1991 Summers D24/136
- D329,186 S * 9/1992 Sorensen D8/307
- D337,158 S * 7/1993 Summers D24/136
- D371,434 S * 7/1996 Ouzounian D8/307
- D379,497 S * 5/1997 Renfro D8/307
- D424,663 S * 5/2000 Mark D23/238
- D467,143 S * 12/2002 Kehoe D8/39
- D544,334 S * 6/2007 Dismuke D8/307
- D697,783 S * 1/2014 Chesner D8/107

* cited by examiner

Primary Examiner — Mark Goodwin

Assistant Examiner — Melvin Davis

(74) *Attorney, Agent, or Firm* — Garbis Law, LLC

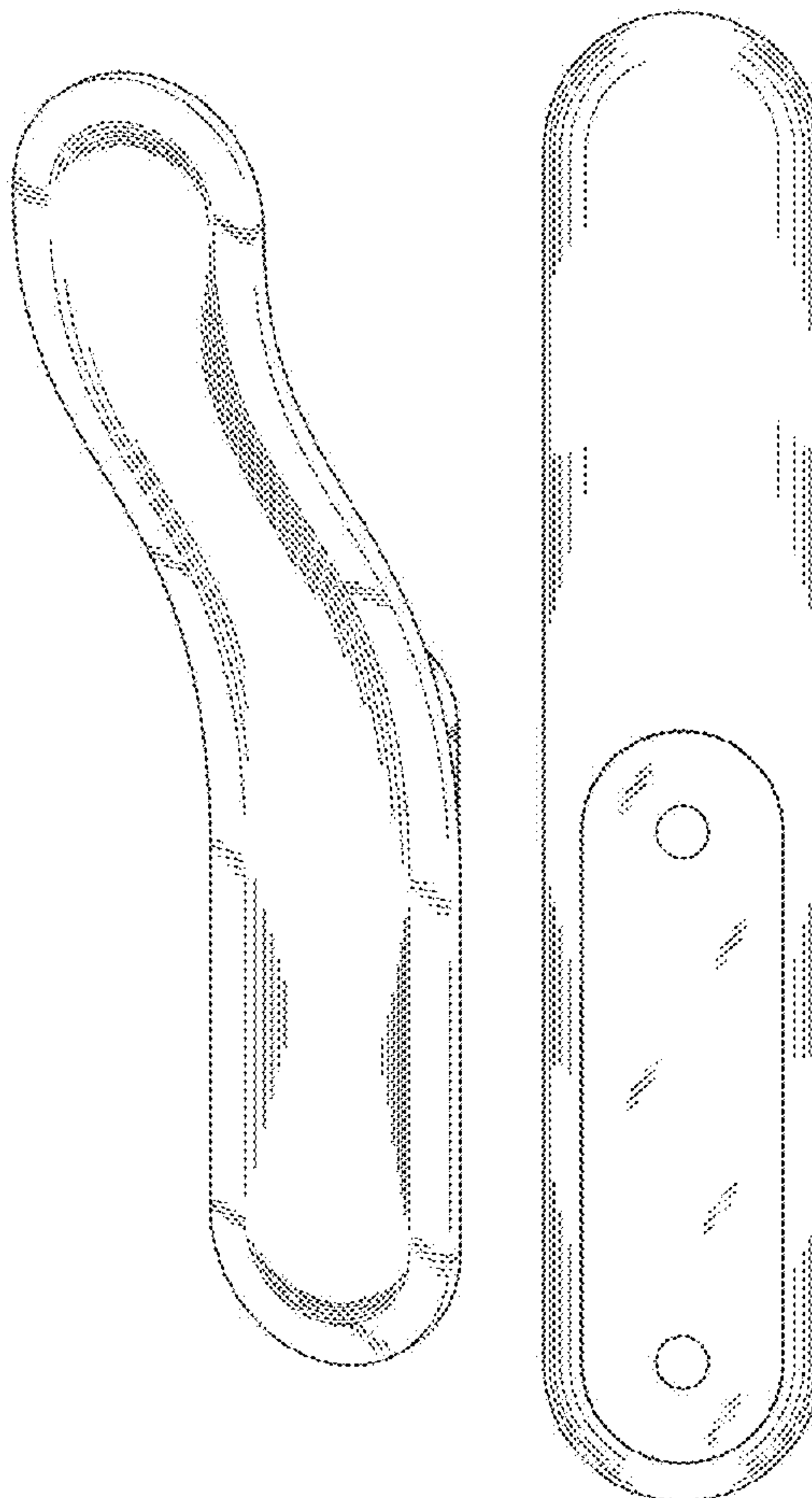
(57) **CLAIM**

The ornamental design for a door handle, as shown and described.

DESCRIPTION

FIG. 1 is a front top perspective view of a door handle showing my new design;
 FIG. 2 is a left side view thereof;
 FIG. 3 is a front view thereof;
 FIG. 4 is a right side view thereof;
 FIG. 5 is a back view thereof;
 FIG. 6 is a top view thereof; and,
 FIG. 7 is a bottom view thereof.

1 Claim, 6 Drawing Sheets



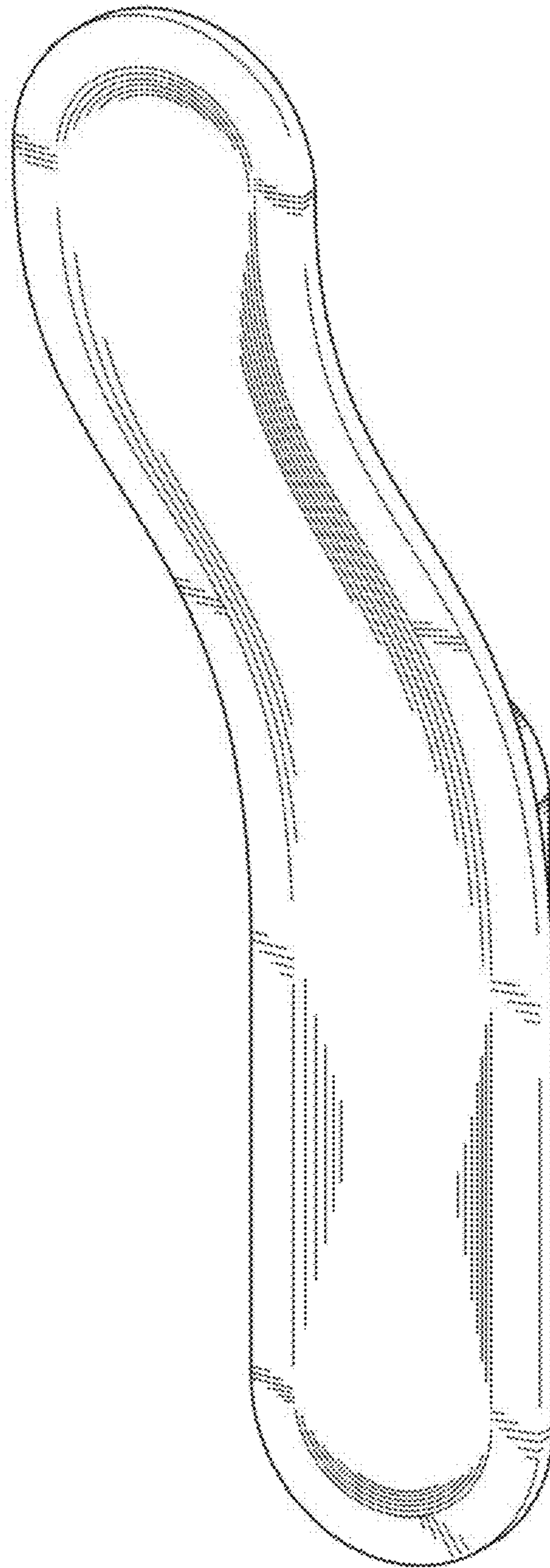


FIG. 1

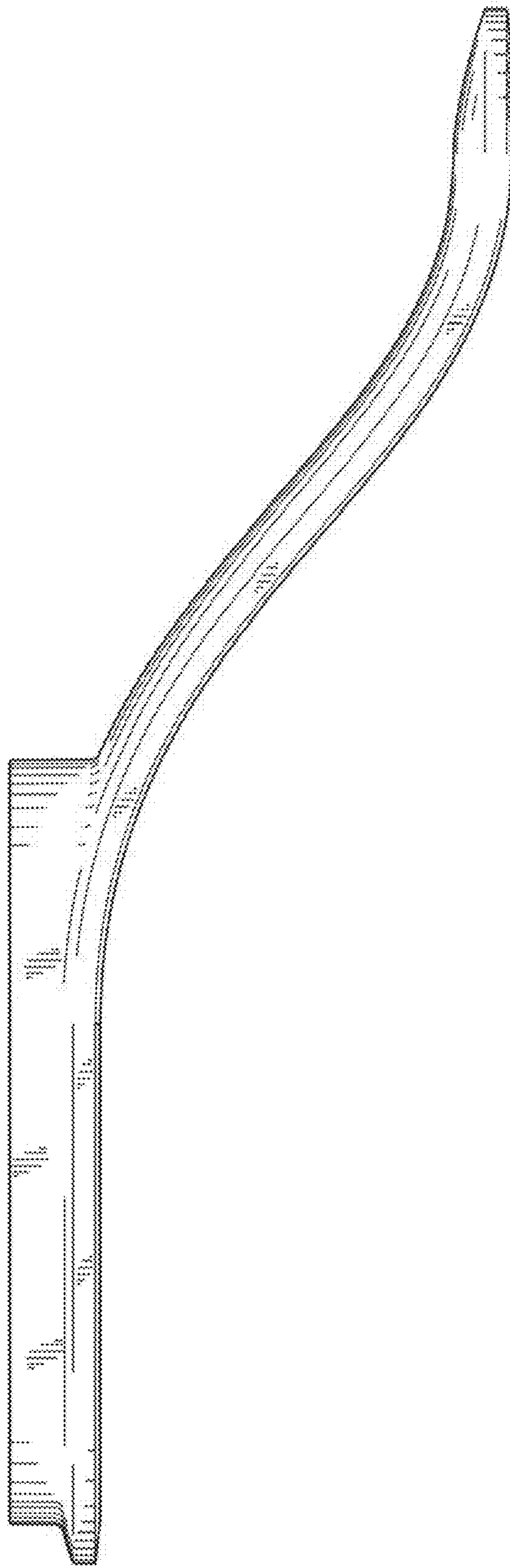


FIG. 2

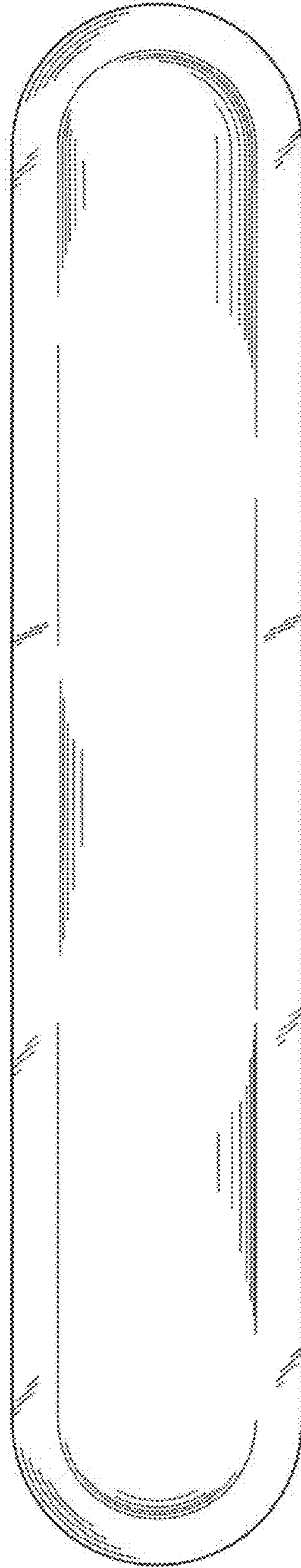


FIG. 3

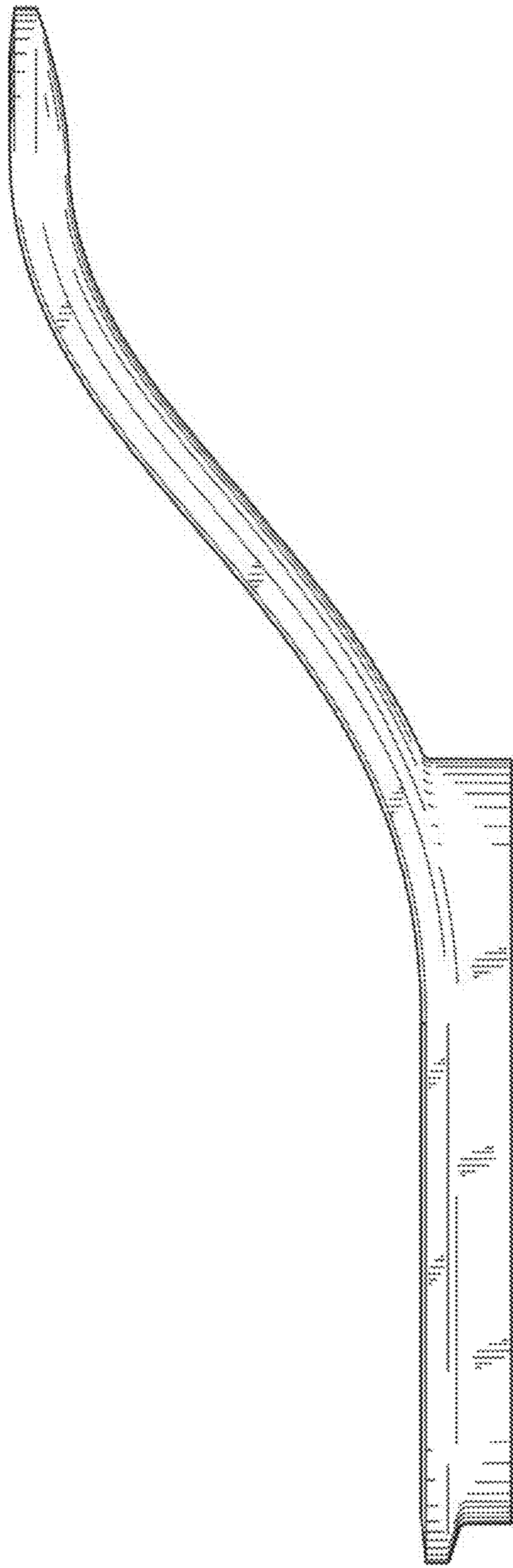


FIG. 4

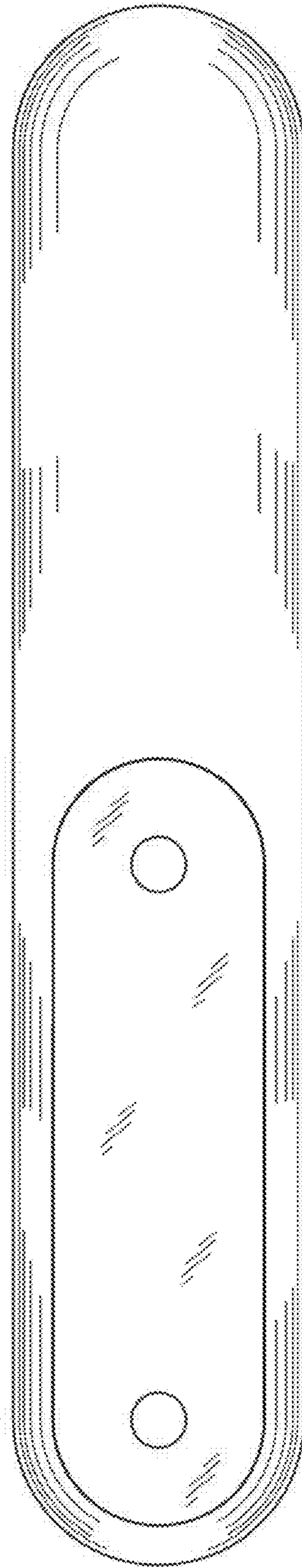


FIG. 5

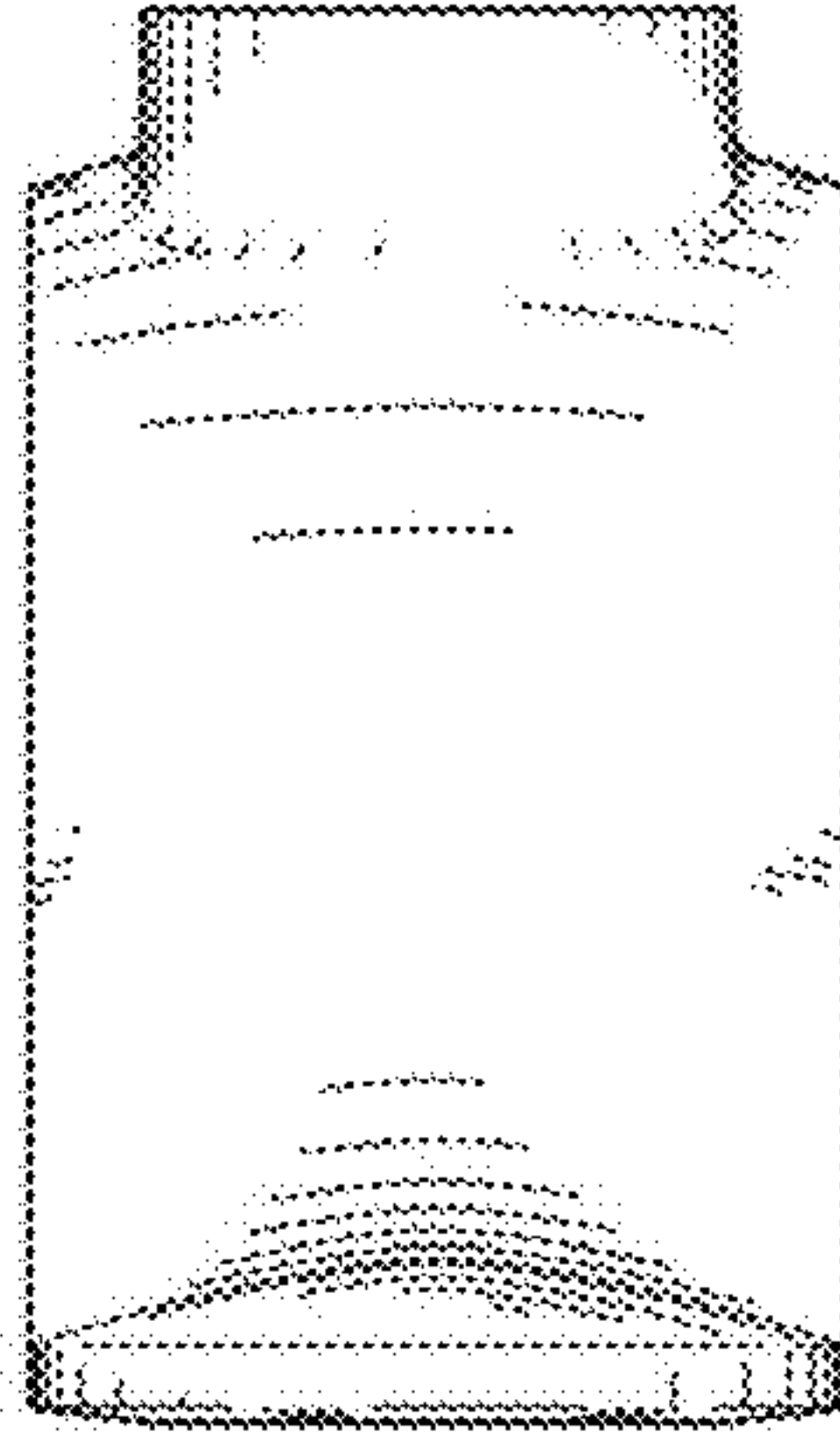


FIG. 6

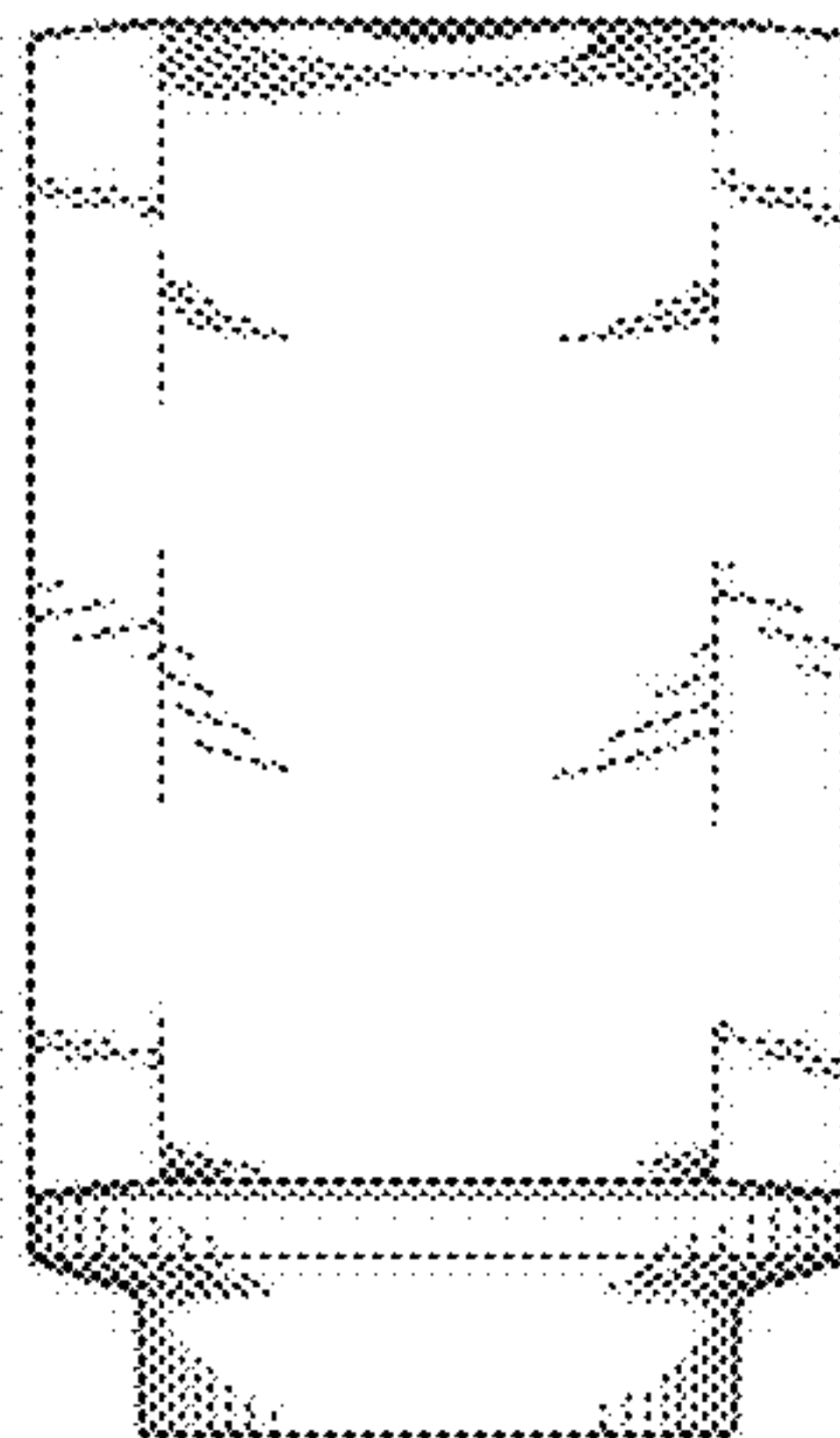


FIG. 7