



US00D793838S

(12) **United States Design Patent**
Le

(10) **Patent No.:** **US D793,838 S**

(45) **Date of Patent:** **** Aug. 8, 2017**

(54) **DEFEATER LATCH HANDLE WITH TRIGGER AND ESCUTCHEON**

(71) Applicant: **S.P.E.P ACQUISITION CORP.**, Long Beach, CA (US)

(72) Inventor: **Tam Le**, Garden Grove, CA (US)

(73) Assignee: **S.P.E.P. ACQUISITION CORP.**, Long Beach, CA (US)

(**) Term: **15 Years**

(21) Appl. No.: **29/559,258**

(22) Filed: **Mar. 25, 2016**

(51) **LOC (10) Cl.** **08-06**

(52) **U.S. Cl.**
USPC **D8/302**

(58) **Field of Classification Search**
USPC D8/302, 306, 308, 309, 315, 317, 319;
D11/116, 133, 203; D26/7, 13, 15, 17,
D26/31, 42; D19/96; D7/393, 394, 395,
D7/398; D12/177-178; D23/226, 249,
D23/304
CPC E05B 1/00; E05B 1/0015
See application file for complete search history.

(56) **References Cited**

U.S. PATENT DOCUMENTS

- D369,964 S * 5/1996 Decursu D8/302
- 6,068,308 A * 5/2000 Molzer E05B 13/10
292/336.3
- 6,502,872 B1 * 1/2003 Molzer E05B 13/106
292/336.3
- D492,571 S * 7/2004 Linares D8/308
- D521,846 S * 5/2006 Toikka D8/308
- D611,798 S * 3/2010 Le D8/331
- 7,819,443 B2 * 10/2010 Ryan E05B 3/00
292/336.3
- D692,112 S * 10/2013 Le D23/304
- D694,088 S * 11/2013 Le D8/308

- D709,351 S * 7/2014 Le D8/331
- 9,080,347 B2 * 7/2015 Le E05B 1/003
- D767,969 S * 10/2016 Aispuro D8/301
- D773,914 S * 12/2016 Aispuro D8/301

OTHER PUBLICATIONS

Die Cast Zinc Deafeater L Handle Latches: Announced May 18, 2016 [online], site visited Jan. 26, 2017. Available from Internet URL: <http://www.spep.com/Handles/Defeater/3950SST-333.htm>.*

* cited by examiner

Primary Examiner — Caron D Veynar

Assistant Examiner — Melvin Davis

(74) *Attorney, Agent, or Firm* — Karish & Bjorgum, PC

(57) **CLAIM**

The ornamental design for a defeater latch handle with trigger and escutcheon, as shown and described.

DESCRIPTION

FIG. 1 is perspective view of the defeater latch handle with trigger and escutcheon showing my new design.

FIG. 2 is a right side view of the defeater latch handle with trigger and escutcheon of FIG. 1.

FIG. 3 is front view of the defeater latch handle with trigger and escutcheon of FIG. 1.

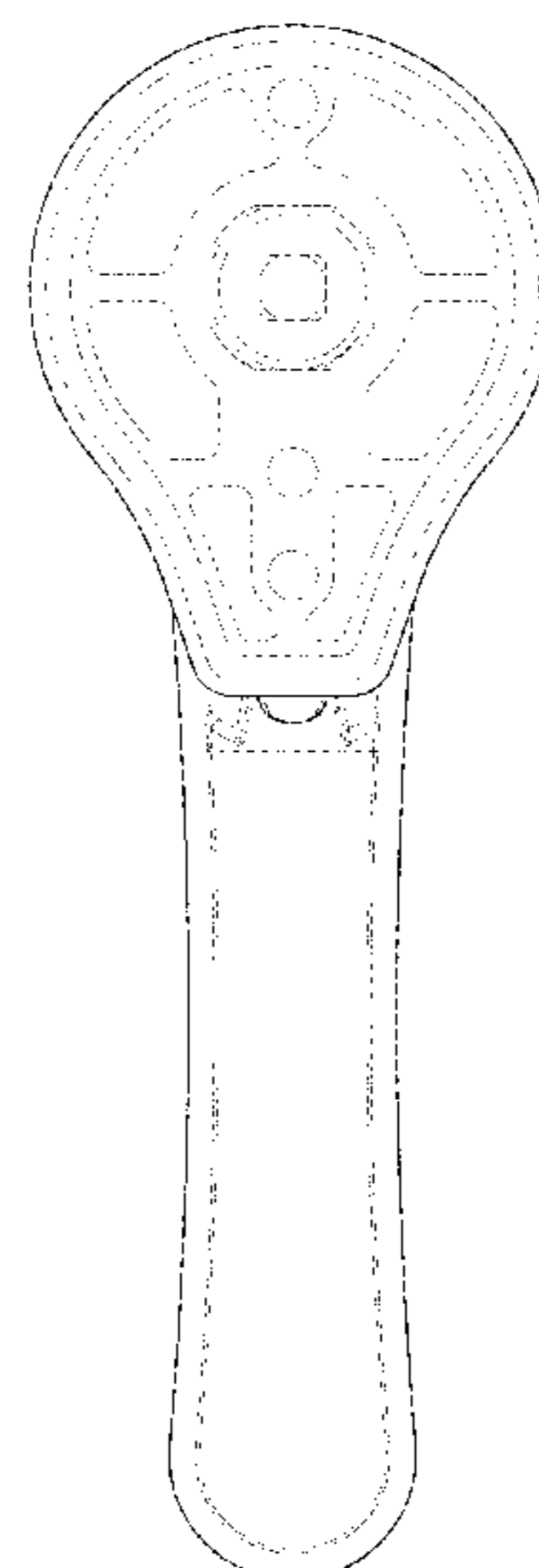
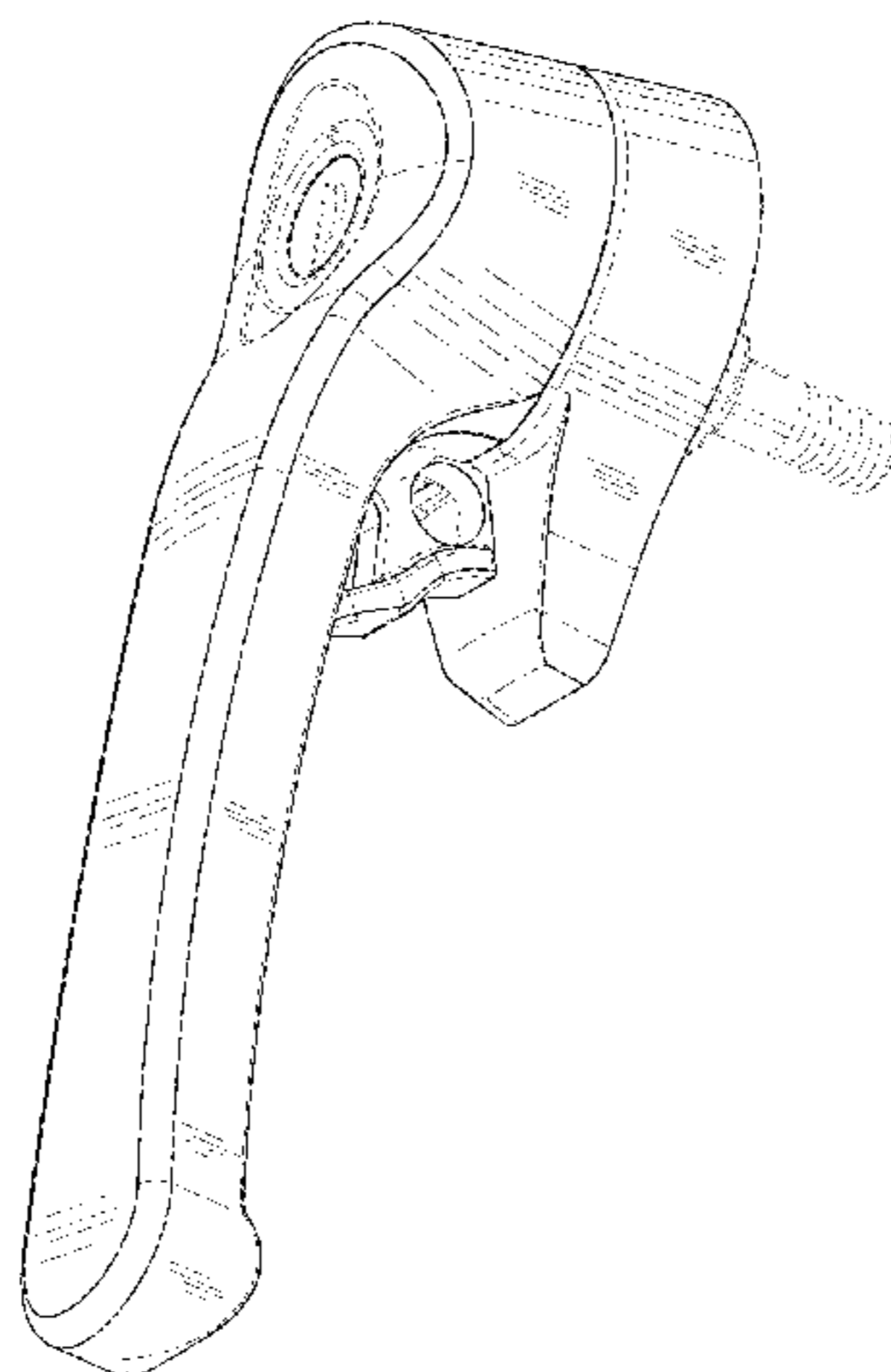
FIG. 4 is rear view of the defeater latch handle with trigger and escutcheon of FIG. 1.

FIG. 5 is a top view of the defeater latch handle with trigger and escutcheon of FIG. 1; and,

FIG. 6 is a bottom view of the defeater latch handle with trigger and escutcheon of FIG. 1.

The left side view of the defeater latch handle with trigger and escutcheon is a mirror image of the right side view of the defeater latch handle with trigger and escutcheon of FIG. 2. The broken lines are shown for purpose of illustrating parts of the article that form no part of the claim.

1 Claim, 4 Drawing Sheets



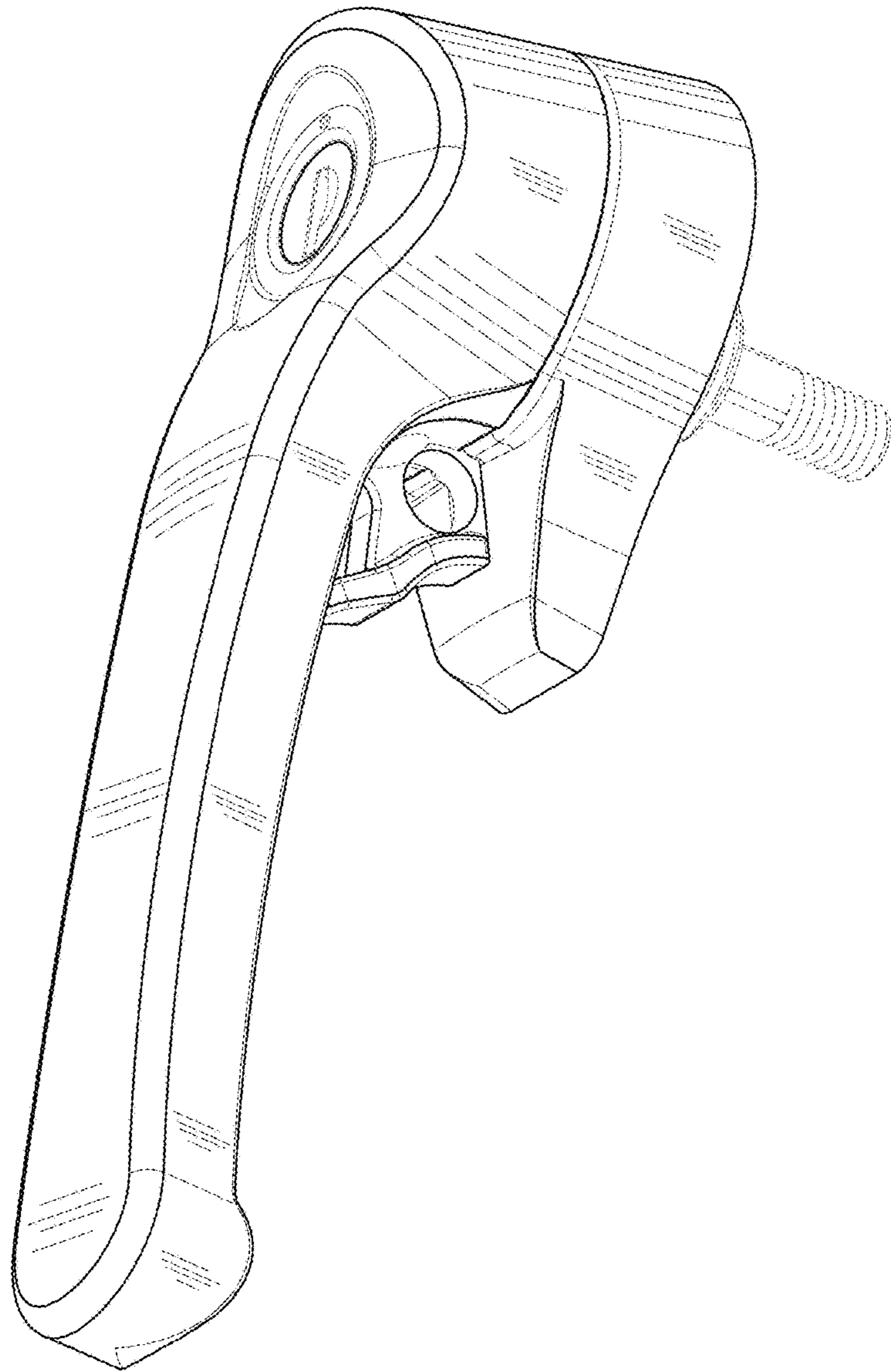


FIG. 1

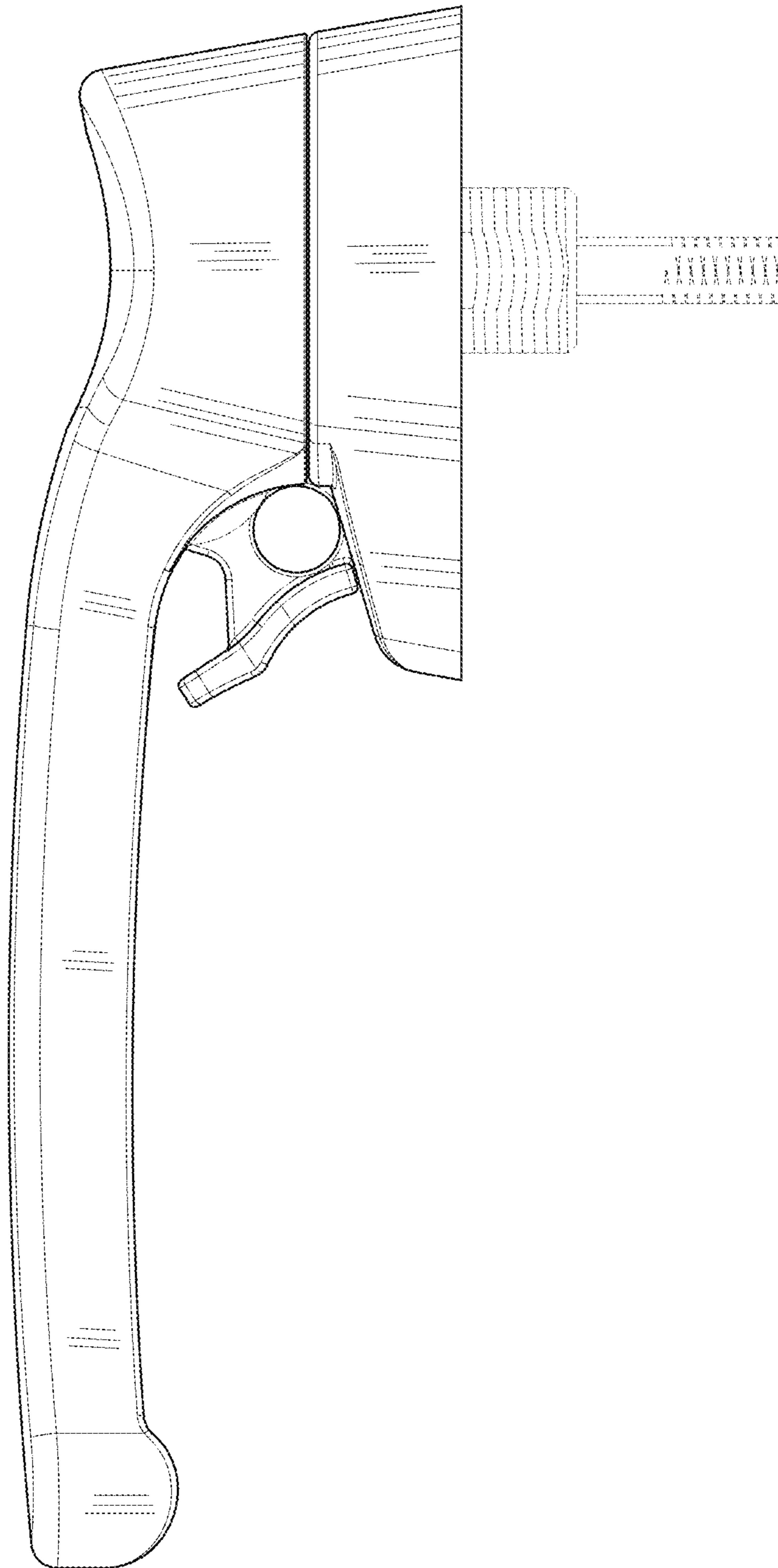


FIG. 2

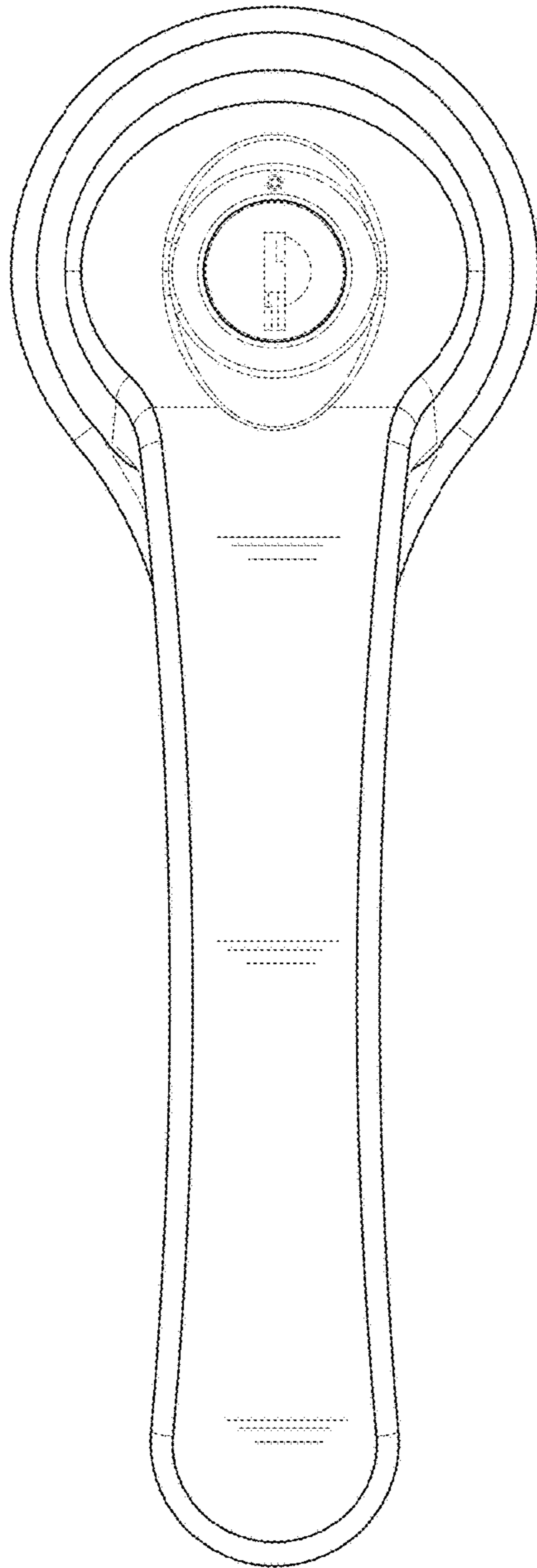


FIG. 3

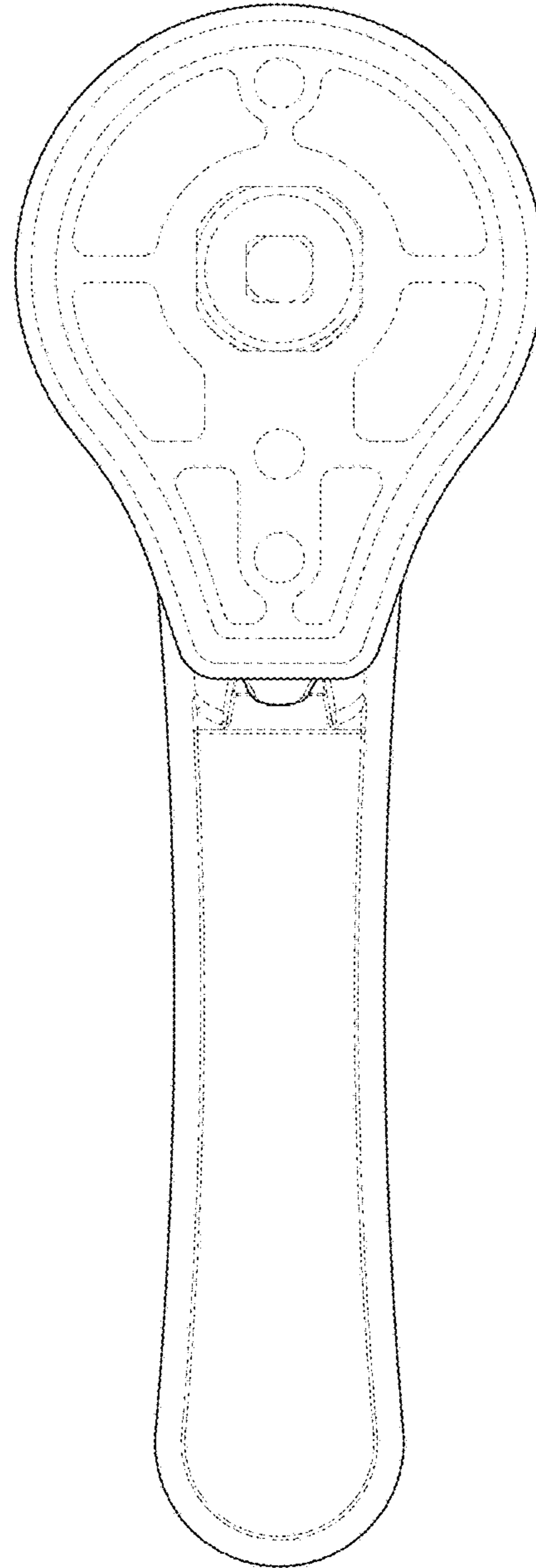


FIG. 4

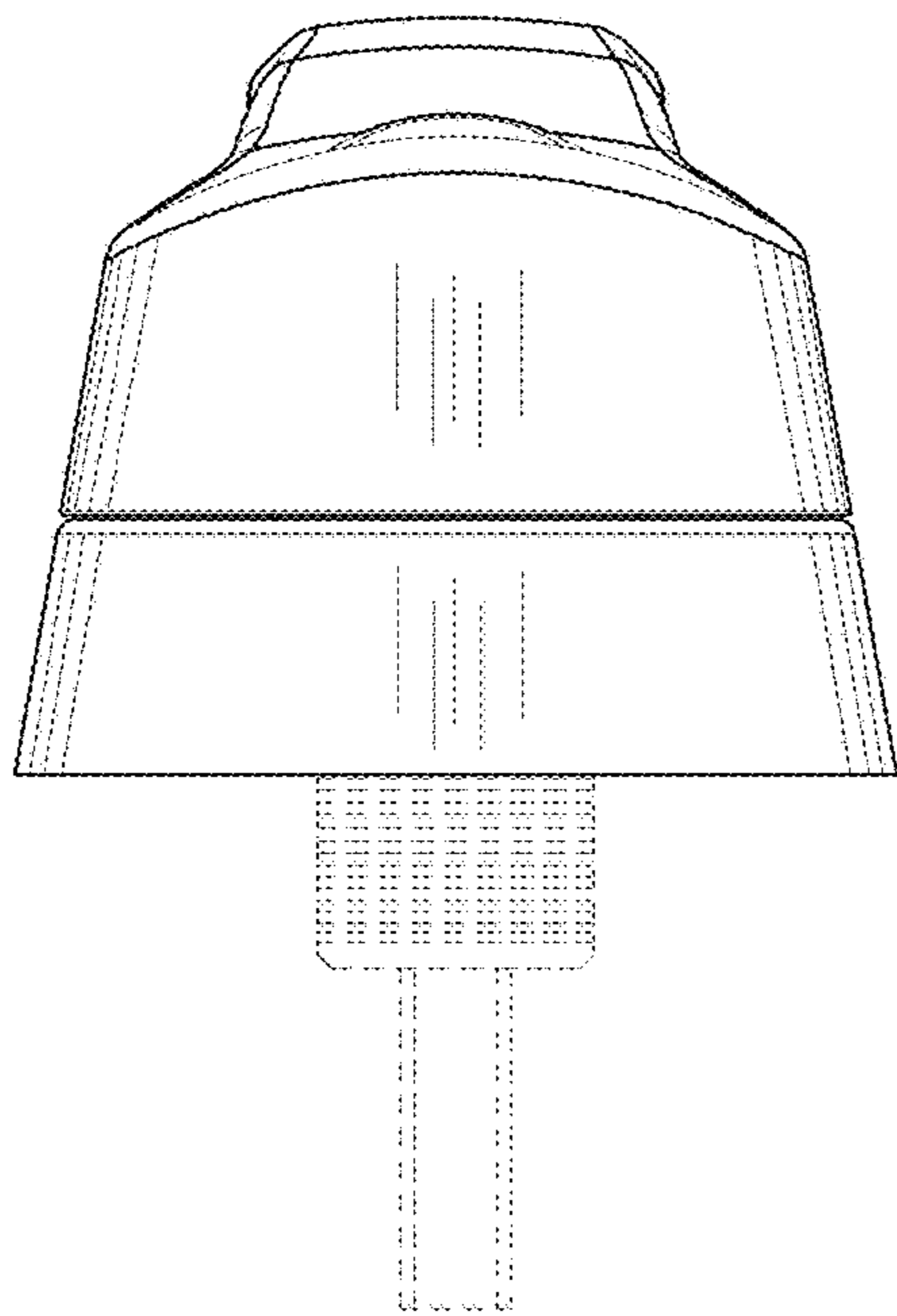


FIG. 5

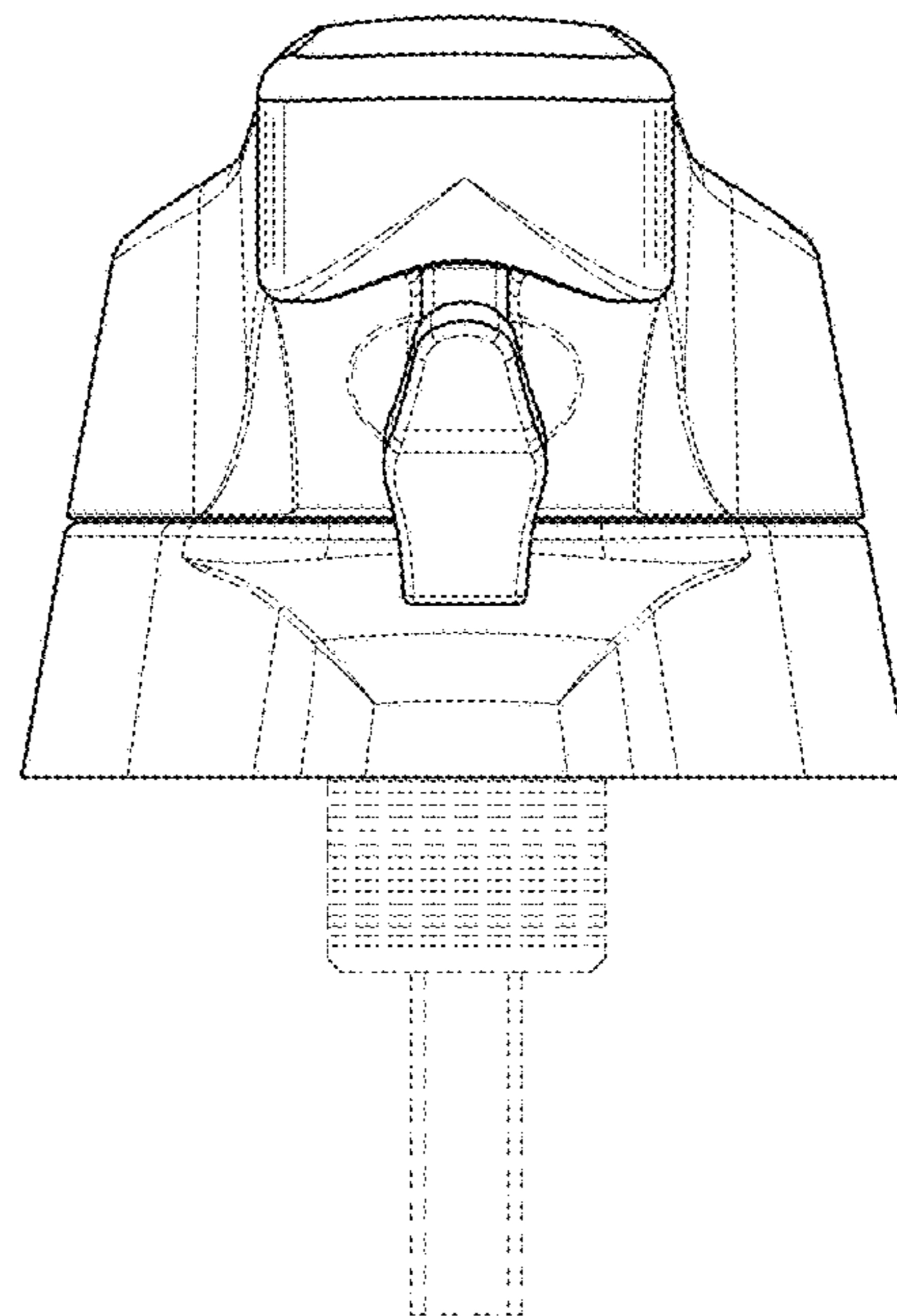


FIG. 6