



US00D793835S

(12) **United States Design Patent** (10) **Patent No.:** **US D793,835 S**
Cerezo Lotina (45) **Date of Patent:** **** Aug. 8, 2017**

(54) **COMBINED TOOL AND ERGONOMICALLY SHAPED COLOR CODED HANDLE INTERCHANGEABLE AND MULTI POSITIONABLE**

(71) Applicant: **Industrias Piqueras SA**, Logrono (ES)

(72) Inventor: **Jose Luis Cerezo Lotina**, Logrono (ES)

(73) Assignee: **Industrias Piqueras SA**, Logroño (ES)

(**) Term: **15 Years**

(21) Appl. No.: **29/564,736**

(22) Filed: **May 16, 2016**

(51) **LOC (10) Cl.** **08-05**

(52) **U.S. Cl.**
USPC **D8/72**

(58) **Field of Classification Search**
USPC D8/72, 73
CPC B25B 5/068; B25B 5/102; B25B 5/163;
B25B 5/166; B25B 5/101; B25B 5/06;
B25B 5/16; B25B 5/006; B25B 5/10;
B25B 13/12; B25B 1/06; Y10T 29/49826;
Y10T 29/49998; Y10T 24/44966; Y10T
292/20

See application file for complete search history.

(56) **References Cited**

U.S. PATENT DOCUMENTS

- 1,793,561 A * 2/1931 Schmieder B25B 5/003
269/166
- 1,929,539 A * 10/1933 Steuernagel B25B 5/102
24/569
- 5,427,364 A * 6/1995 Zborschil B25B 5/102
269/166
- 6,113,089 A * 9/2000 Kleinbongartz B25B 5/068
269/166
- D436,814 S * 1/2001 Gore D8/51

- D467,152 S * 12/2002 Wolff D8/72
- D482,585 S * 11/2003 Brass D8/72
- D484,017 S * 12/2003 Knox D8/72
- D543,821 S * 6/2007 Ranieri D8/73
- D677,140 S * 3/2013 Krohmer D8/72
- 2003/0102614 A1 * 6/2003 Foshag B25B 5/102
269/171
- 2004/0245692 A1 * 12/2004 Brass B25B 5/003
269/3
- 2005/0184439 A1 * 8/2005 Janson B25B 5/006
269/6

(Continued)

Primary Examiner — Derrick Holland

Assistant Examiner — Lauren Calve

(74) *Attorney, Agent, or Firm* — Defillo & Associates, Inc.; Evelyn A Defillo

(57) **CLAIM**

The ornamental design for a combined tool and ergonomically shaped color coded handle interchangeable and multi positionable, as shown and described.

DESCRIPTION

The file of this patent contains at least one drawing/photograph executed in color. Copies of this patent with color drawing(s)/photograph(s) will be provided by the Office upon request and payment of the necessary fee.

FIG. 1 is a front view of a combined tool and ergonomically shaped color coded handle interchangeable and multi positionable according to the present invention;

FIG. 2 is a right side view thereof;

FIG. 3 is a left side view thereof;

FIG. 4 is a front perspective view thereof;

FIG. 5 is a back perspective view thereof;

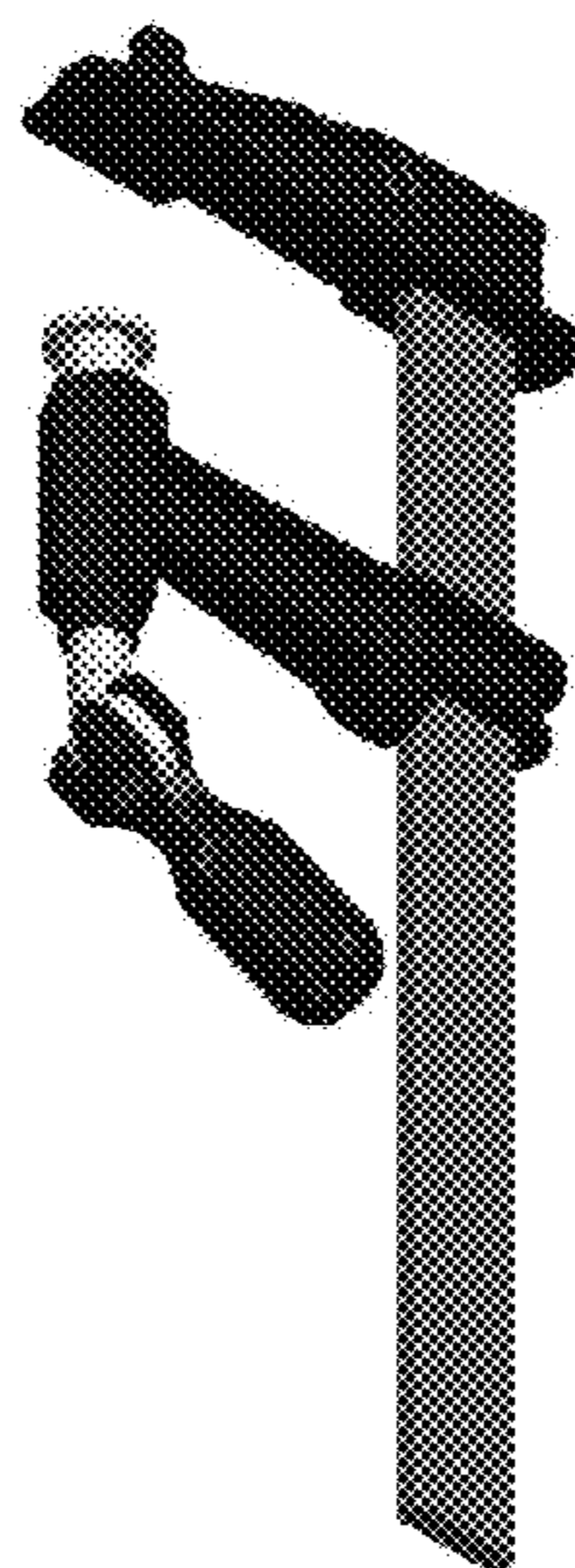
FIG. 6 is a back view thereof;

FIG. 7 is a bottom view thereof; and,

FIG. 8 is a top view thereof.

The shading patterns in the figures indicate color coding.

1 Claim, 5 Drawing Sheets
(5 of 5 Drawing Sheet(s) Filed in Color)



(56)

References Cited

U.S. PATENT DOCUMENTS

2009/0026681 A1* 1/2009 Kloepfer B25B 5/163
269/147
2010/0084799 A1* 4/2010 Wong B25B 5/085
269/214
2010/0156015 A1* 6/2010 Klein B25B 5/163
269/166
2010/0187739 A1* 7/2010 Klein B25B 5/102
269/165
2013/0099437 A1* 4/2013 Liu B25B 5/163
269/6

* cited by examiner

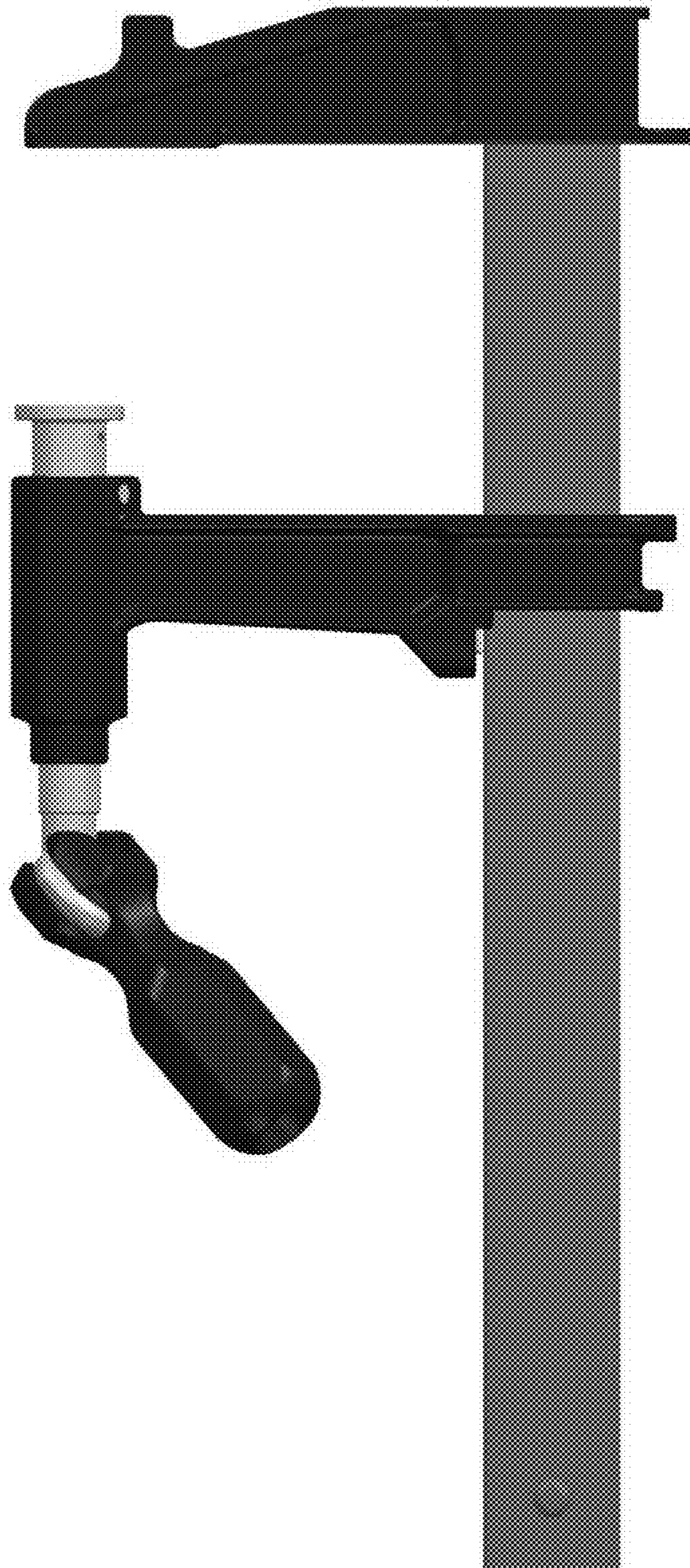


FIG. 1

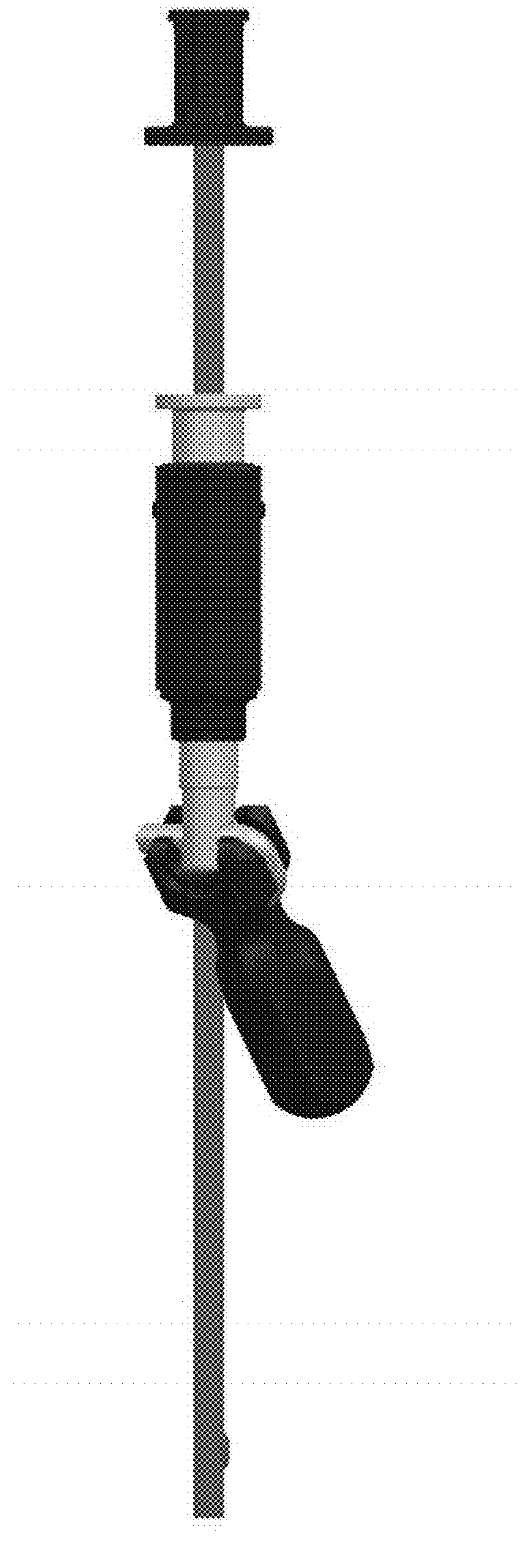


FIG. 2

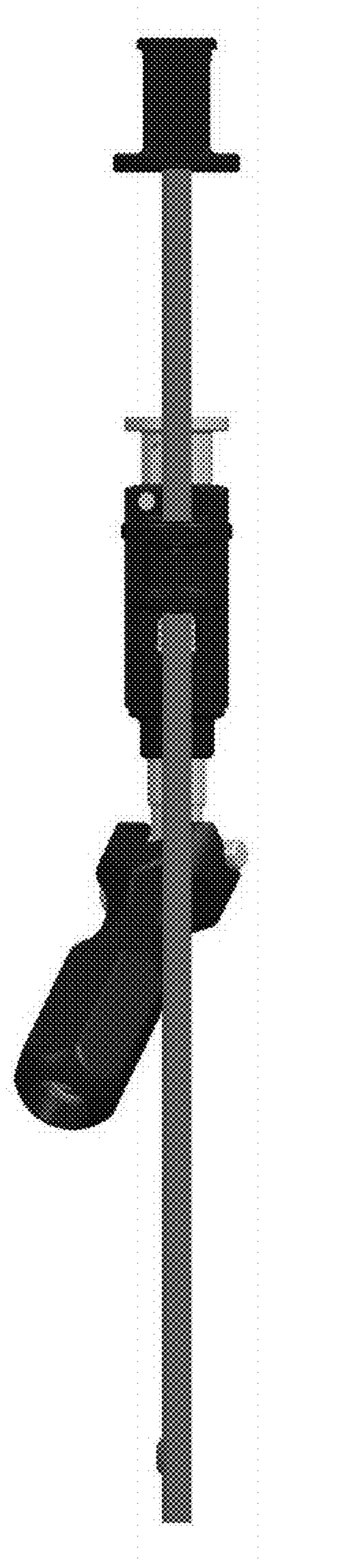


FIG. 3

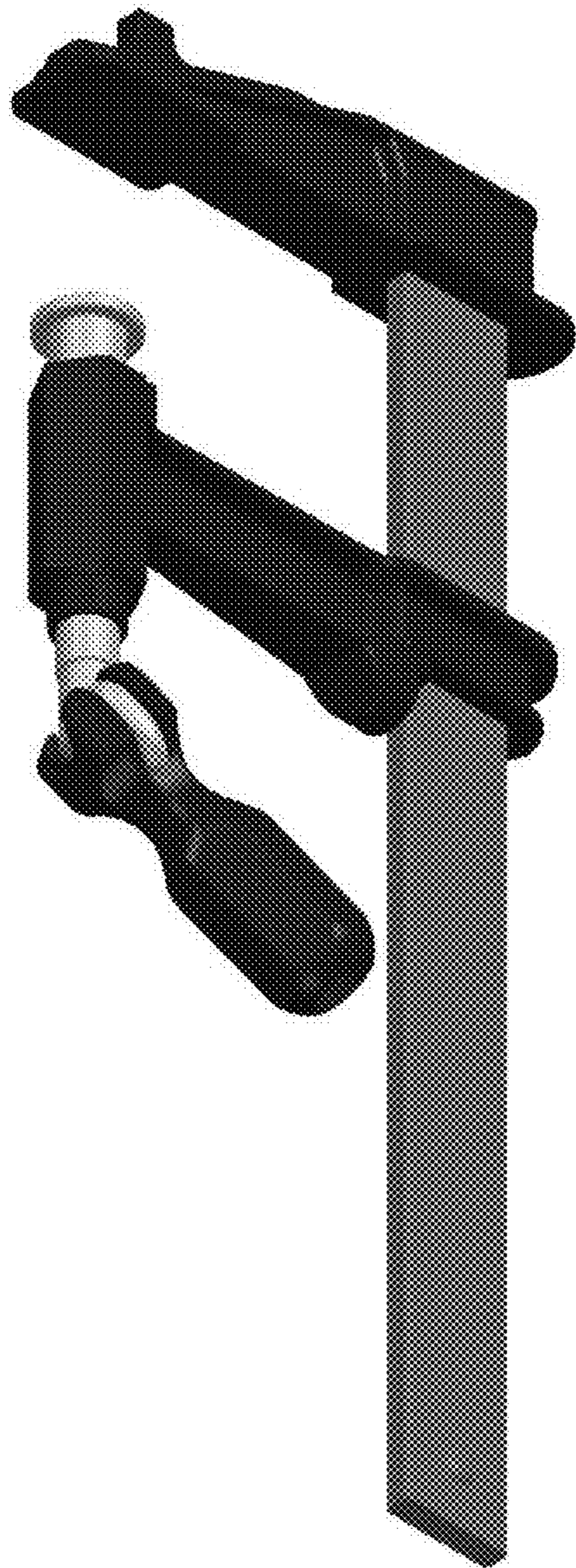


FIG. 4

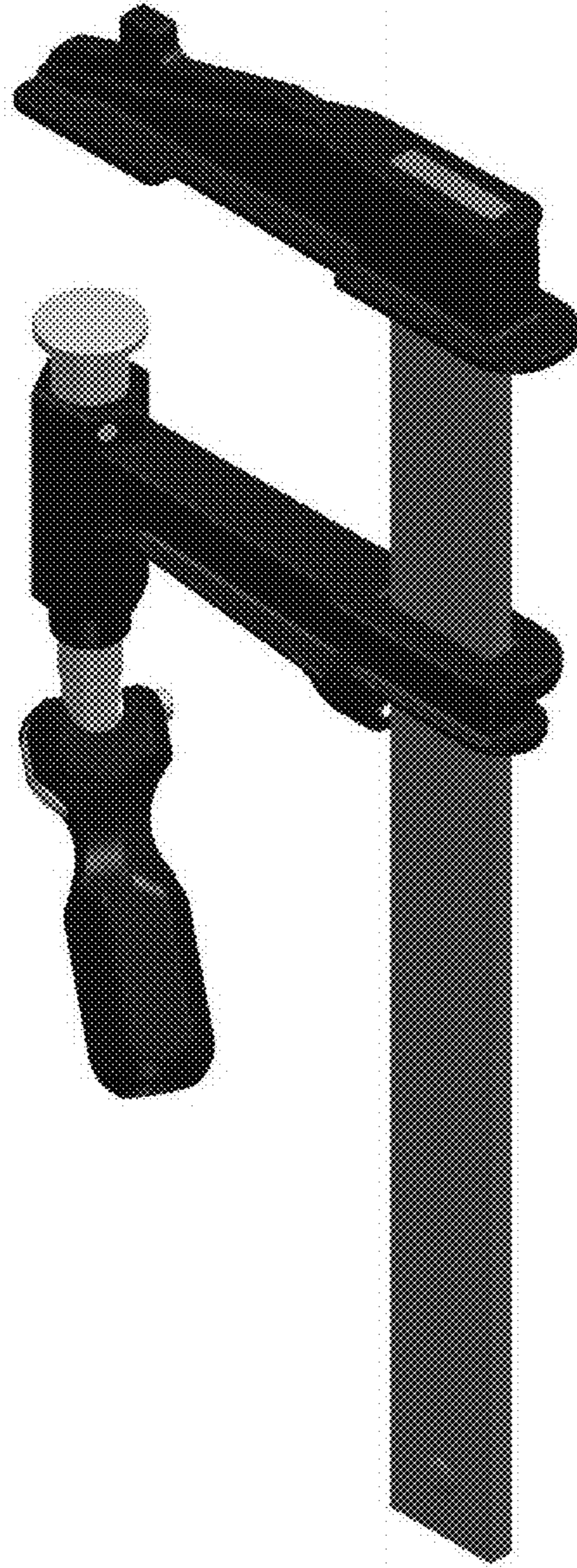


FIG. 5

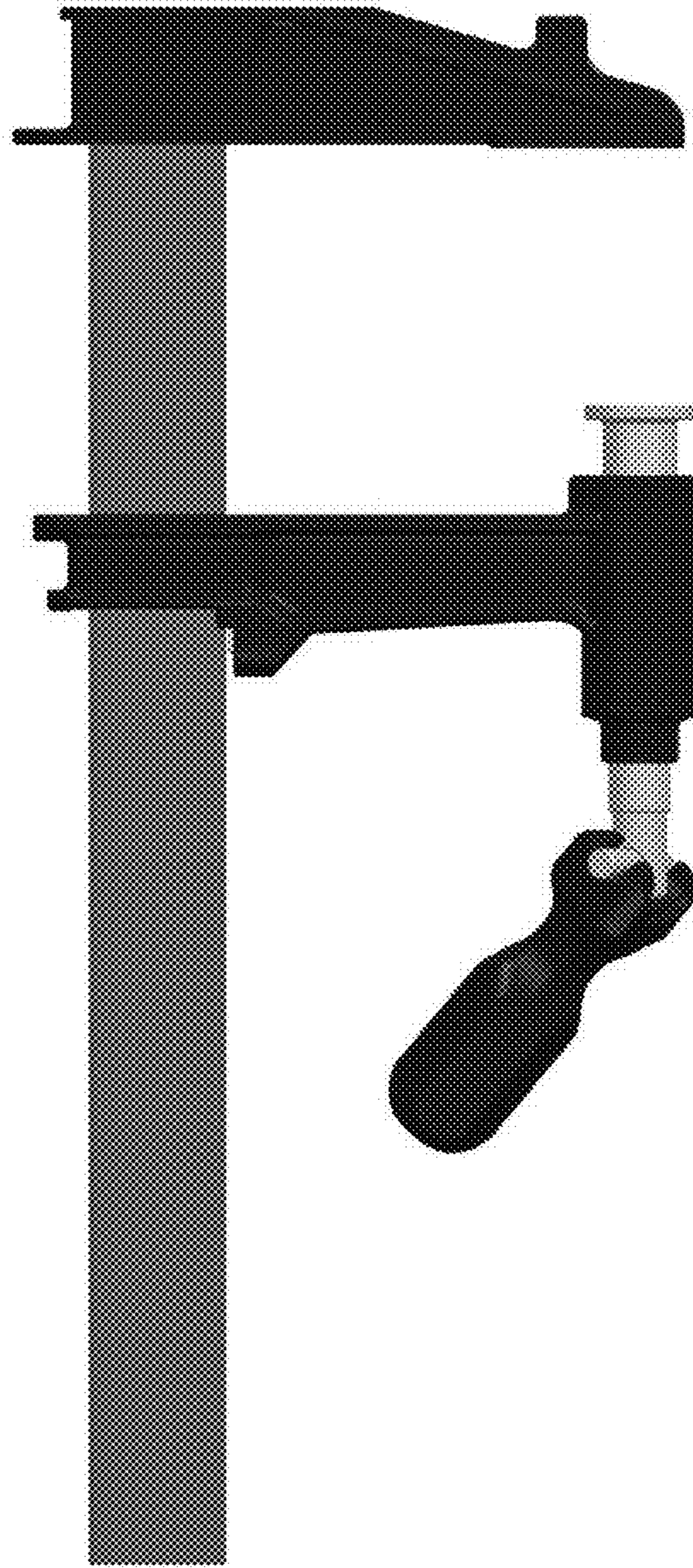


FIG. 6

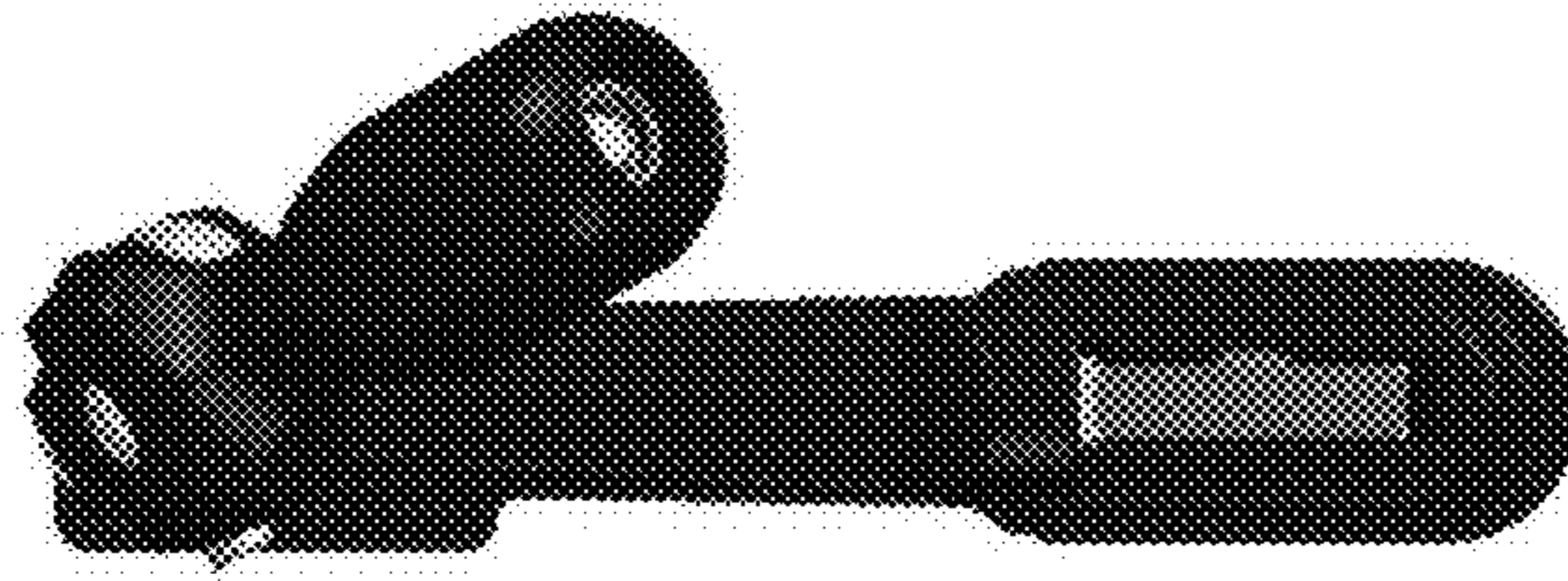


FIG. 7

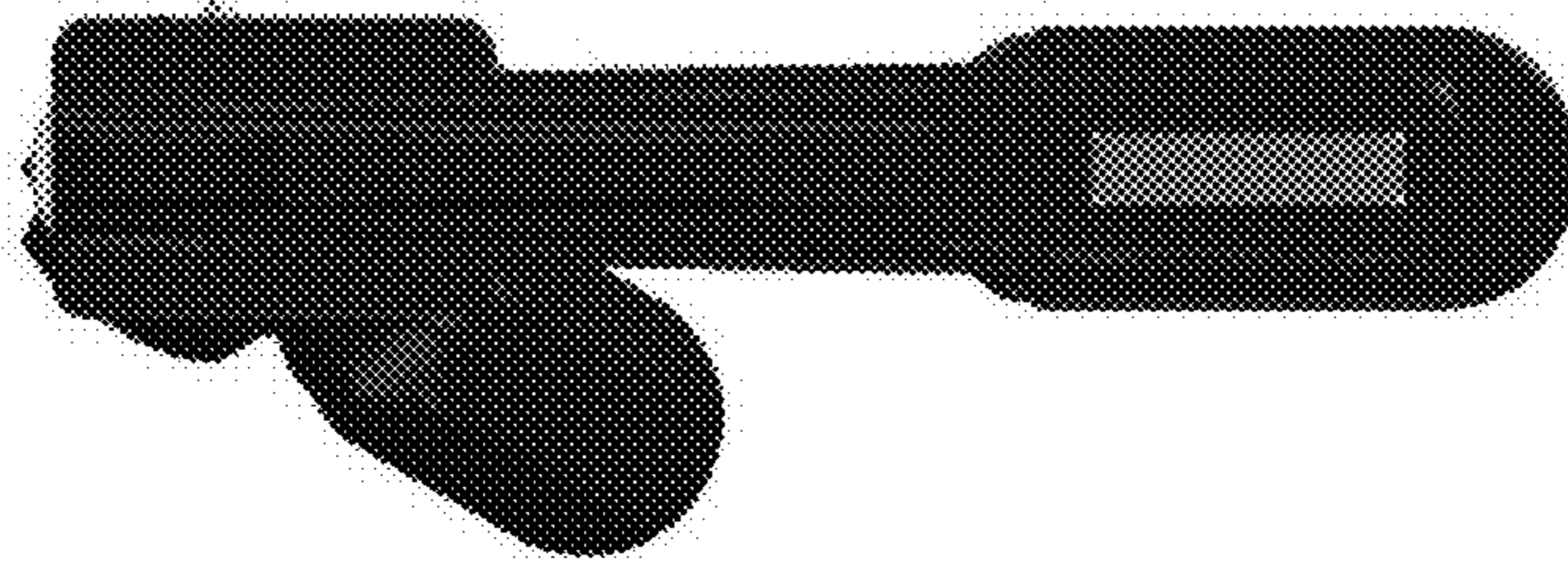


FIG. 8