



US00D793834S

(12) **United States Design Patent**  
**Gupta**

(10) **Patent No.:** **US D793,834 S**

(45) **Date of Patent:** **\*\* Aug. 8, 2017**

(54) **BENCH BLOCK**

D618,080 S \* 6/2010 Baheti ..... D8/71  
D643,446 S \* 8/2011 Gupta ..... D15/136

(71) Applicant: **DPG USA Inc.**, Schaumburg, IL (US)

\* cited by examiner

(72) Inventor: **Nikhil Gupta**, Schaumburg, IL (US)

*Primary Examiner* — Lakiya Rogers

(73) Assignee: **DPG USA INC.**, Schaumburg, IL (US)

*Assistant Examiner* — Harold E Blackwell, II

(\*\*) Term: **14 Years**

(74) *Attorney, Agent, or Firm* — Robert S. Alexander;  
Ferrells, PLLC; Anna L. Kinney

(21) Appl. No.: **29/504,033**

(57) **CLAIM**

(22) Filed: **Oct. 8, 2014**

The ornamental design for a bench block, as shown and described.

(51) **LOC (10) Cl.** ..... **08-05**

(52) **U.S. Cl.**

USPC ..... **D8/71**

(58) **Field of Classification Search**

USPC ..... D8/71; D21/484–486, 499, 500; 72/457,  
72/477; 33/567, 567.1; 446/69, 85, 101,  
446/120, 121, 124

CPC ..... B25H 1/00; B25B 11/00

See application file for complete search history.

**DESCRIPTION**

FIG. 1 is a left perspective view of the bench block of the present invention;

FIG. 2 is a right perspective view of the bench block of the present invention;

FIG. 3 is a front elevation of the bench block of FIG. 1. The rear elevation is substantially identical;

FIG. 4 is a left elevation of the bench block of FIG. 1. The right elevation is substantially identical;

FIG. 5 is a top plan view of the bench block of FIG. 1. The bottom plan view of the bench block is hidden during ordinary use and forms no part of the present invention; and,

FIG. 6 is a top plan view of the base of the bench block of FIG. 1. The portion encompassed in broken lines is hidden during ordinary use of the invention.

The part of FIG. 6 shown within a broken-line perimeter, as well as the broken line perimeter itself, illustrates a portion of the bench block that forms no part of the claimed design.

(56) **References Cited**

U.S. PATENT DOCUMENTS

- 1,426,658 A \* 8/1922 McGuckin ..... B25H 1/00  
33/567
- 1,442,415 A \* 1/1923 Starrett ..... B25B 11/00  
269/296
- 1,923,620 A \* 8/1933 Harland ..... B21J 19/04  
72/457
- D396,498 S \* 7/1998 Leslie ..... D21/500
- 5,947,786 A \* 9/1999 Glick ..... A63H 33/04  
446/85

**1 Claim, 6 Drawing Sheets**

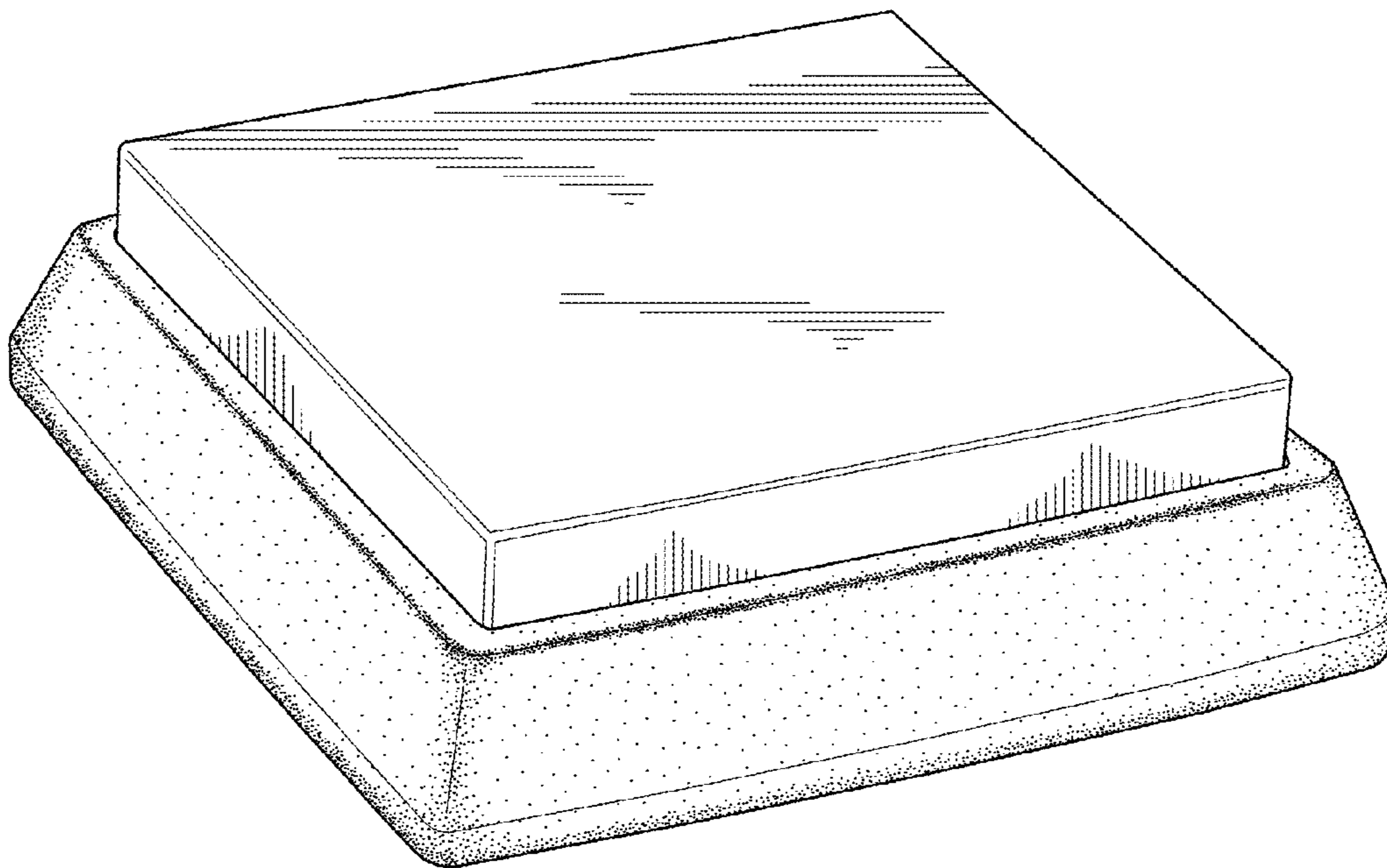


FIG. 1

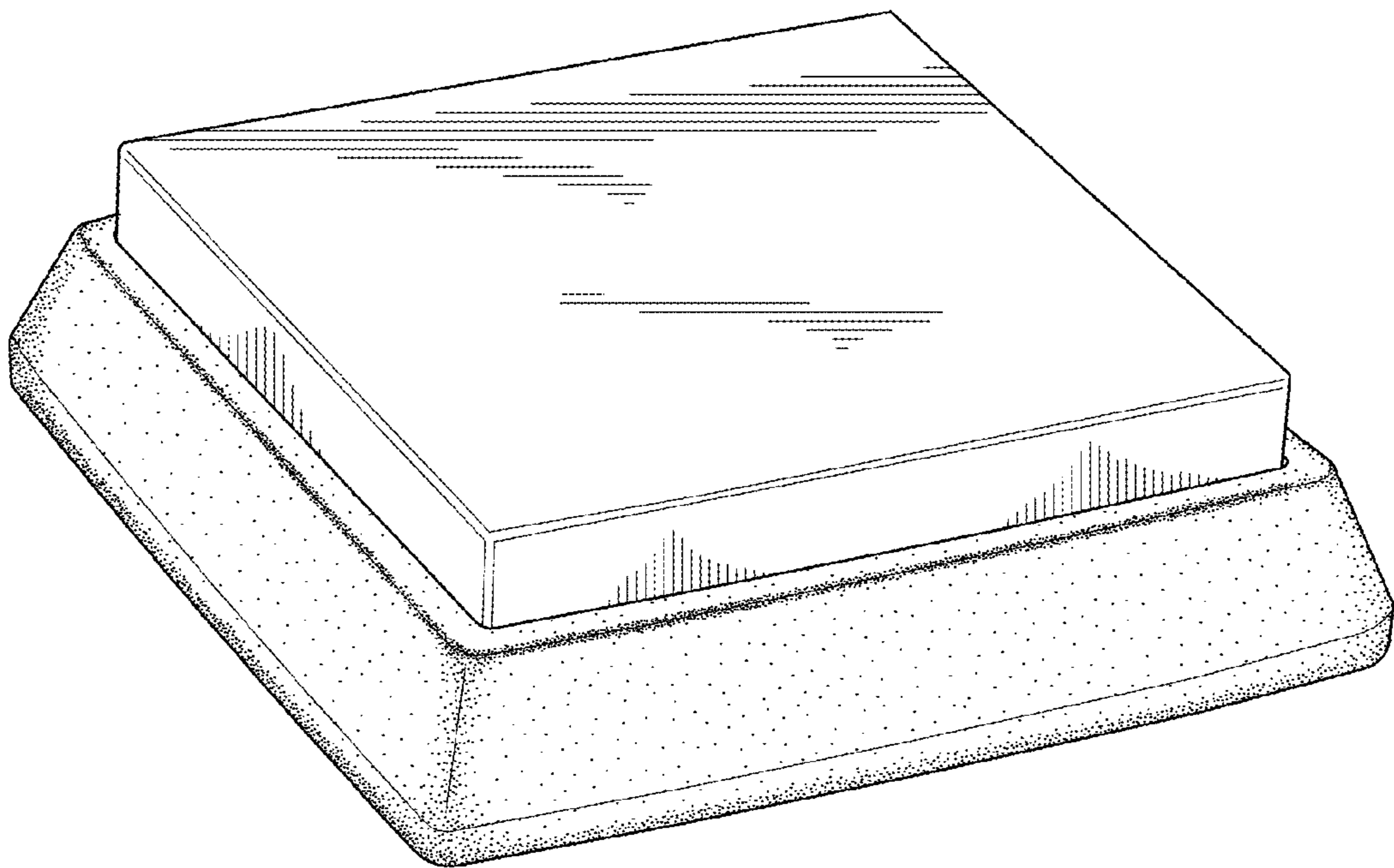


FIG. 2

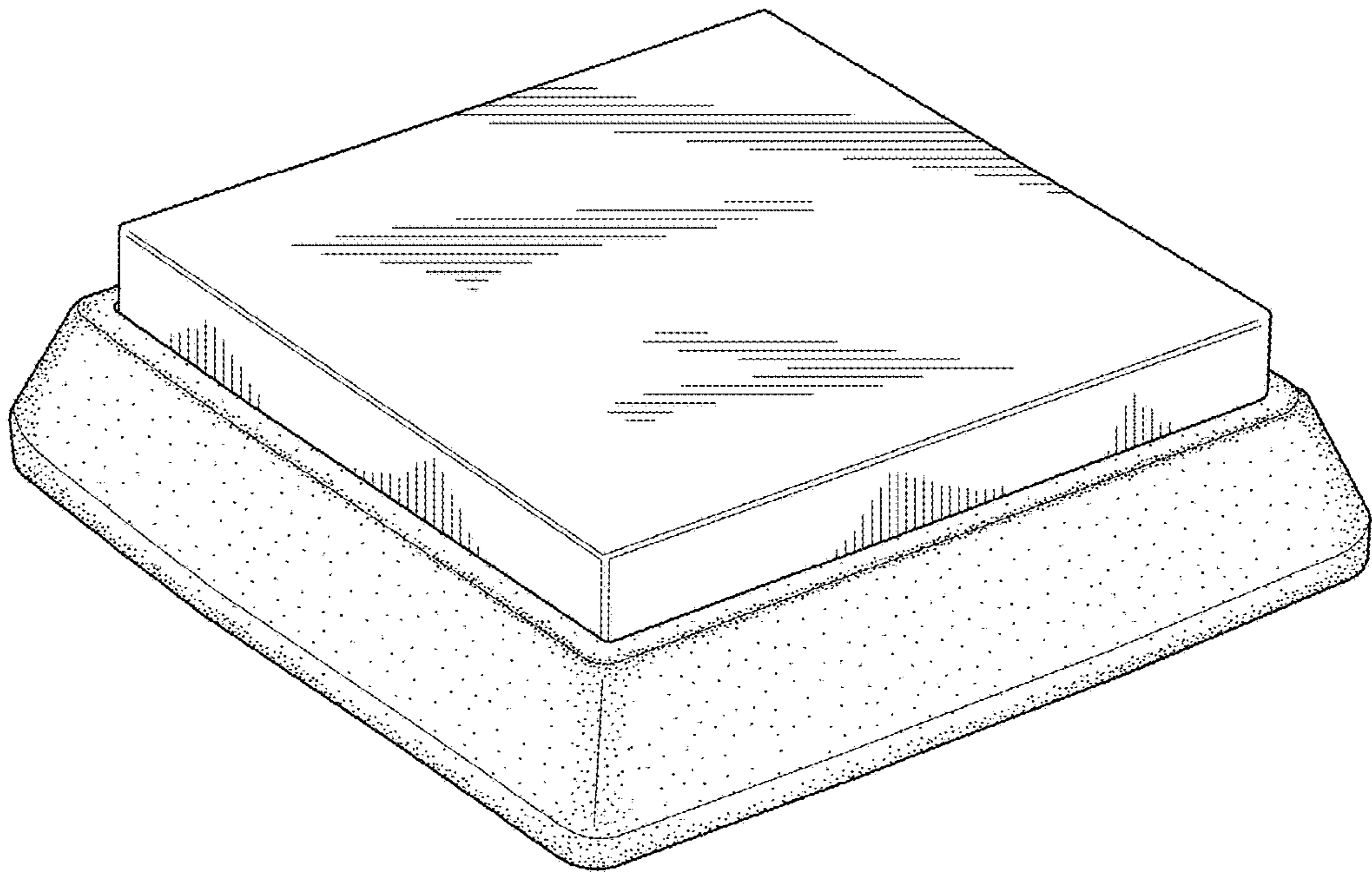


FIG. 3

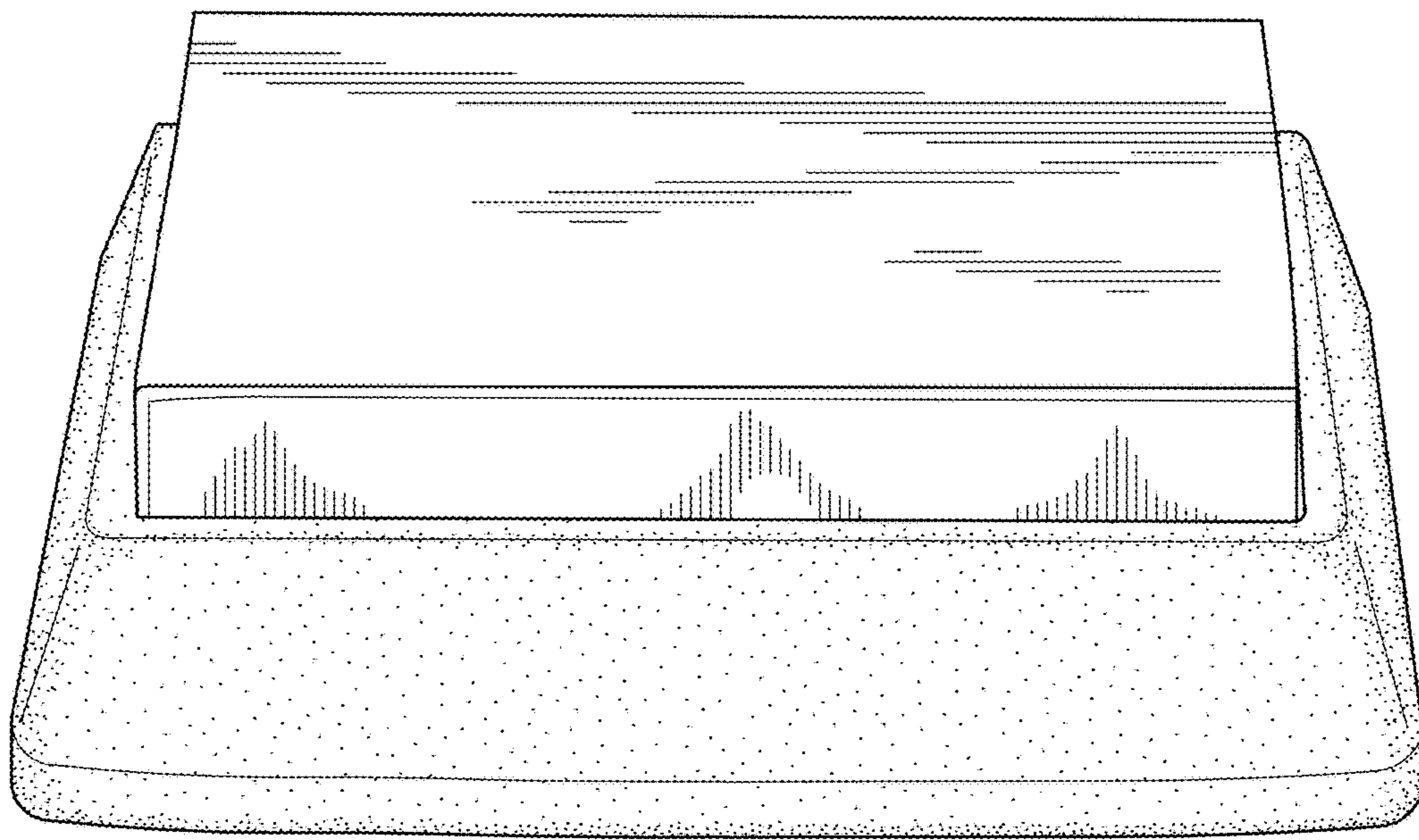




FIG. 4

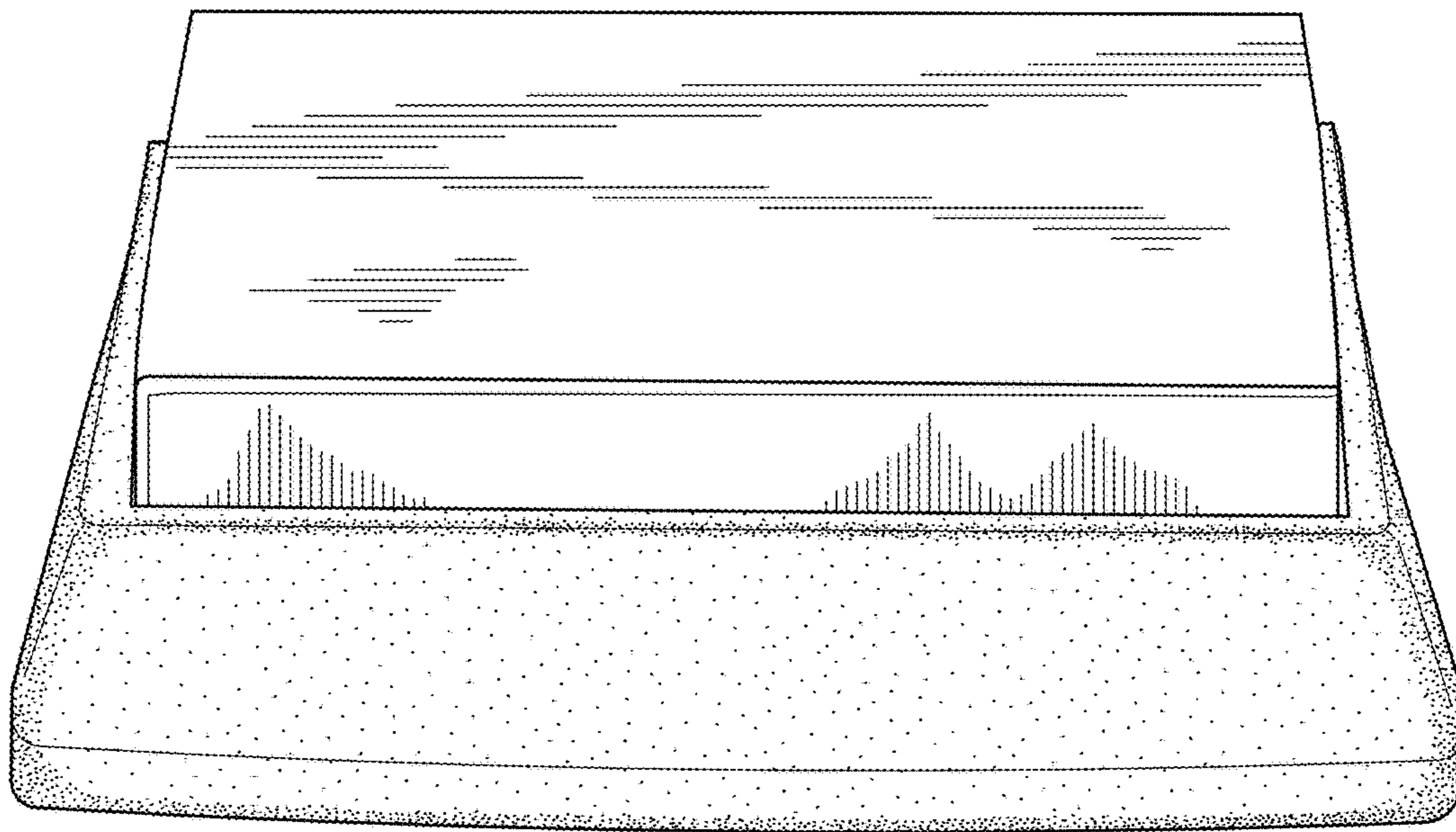


FIG. 5

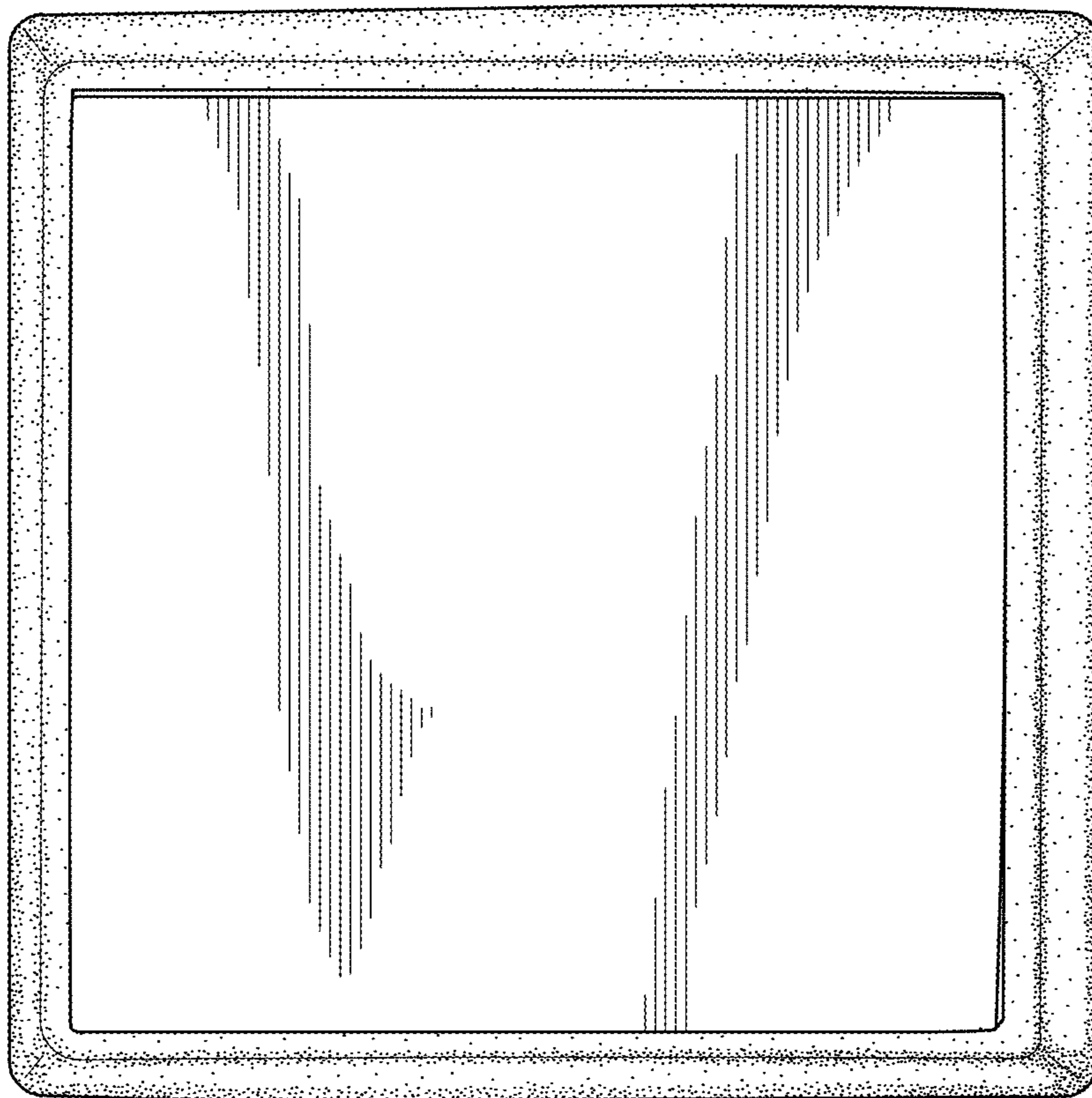


FIG. 6

