



US00D793832S

(12) **United States Design Patent**
Russell et al.

(10) **Patent No.:** **US D793,832 S**

(45) **Date of Patent:** **** Aug. 8, 2017**

- (54) **REMOVABLE CHUCK**
- (71) Applicant: **McGinley Engineered Solutions, LLC**,
Casper, WY (US)
- (72) Inventors: **Matthew V. Russell**, Casper, WY (US);
Joseph C. McGinley, Casper, WY (US)
- (73) Assignee: **McGinley Engineered Solutions, LLC**,
Casper, WY (US)
- (**) Term: **15 Years**
- (21) Appl. No.: **29/553,658**
- (22) Filed: **Feb. 3, 2016**
- (51) **LOC (10) Cl.** **08-03**
- (52) **U.S. Cl.**
USPC **D8/70**
- (58) **Field of Classification Search**
USPC D8/70, 71, 85, 86, 349, 359, 382, 387,
D8/394, 397; D15/138, 139; D22/134,
D22/137, 138, 140, 141; D3/24, 25
CPC B25B 15/00; B25B 23/0035; B25B 23/12;
B25B 23/0028; B25B 23/00; B25B 23/10;
B25B 23/08; B25F 1/003; B25G 1/066
See application file for complete search history.

- (56) **References Cited**
U.S. PATENT DOCUMENTS
D330,318 S * 10/1992 Snider D8/70
5,881,613 A * 3/1999 Han B25B 23/0064
408/241 S
D419,845 S * 2/2000 Yasutomi D8/70
D423,899 S * 5/2000 Yasutomi D8/70

- 6,499,381 B2 * 12/2002 Ladish B25B 23/0064
81/429
- 6,695,321 B2 * 2/2004 Bedi B25B 15/001
279/22
- D710,174 S * 8/2014 Moss D8/70
- D710,175 S * 8/2014 Moss D8/70
- D710,176 S * 8/2014 Santamarina D8/70
- D723,896 S * 3/2015 Durfee D8/70
- D732,364 S * 6/2015 Rinaldis D8/70

* cited by examiner

Primary Examiner — Darlington Ly

(74) *Attorney, Agent, or Firm* — Marsh Fischmann &
Breyfogle LLP

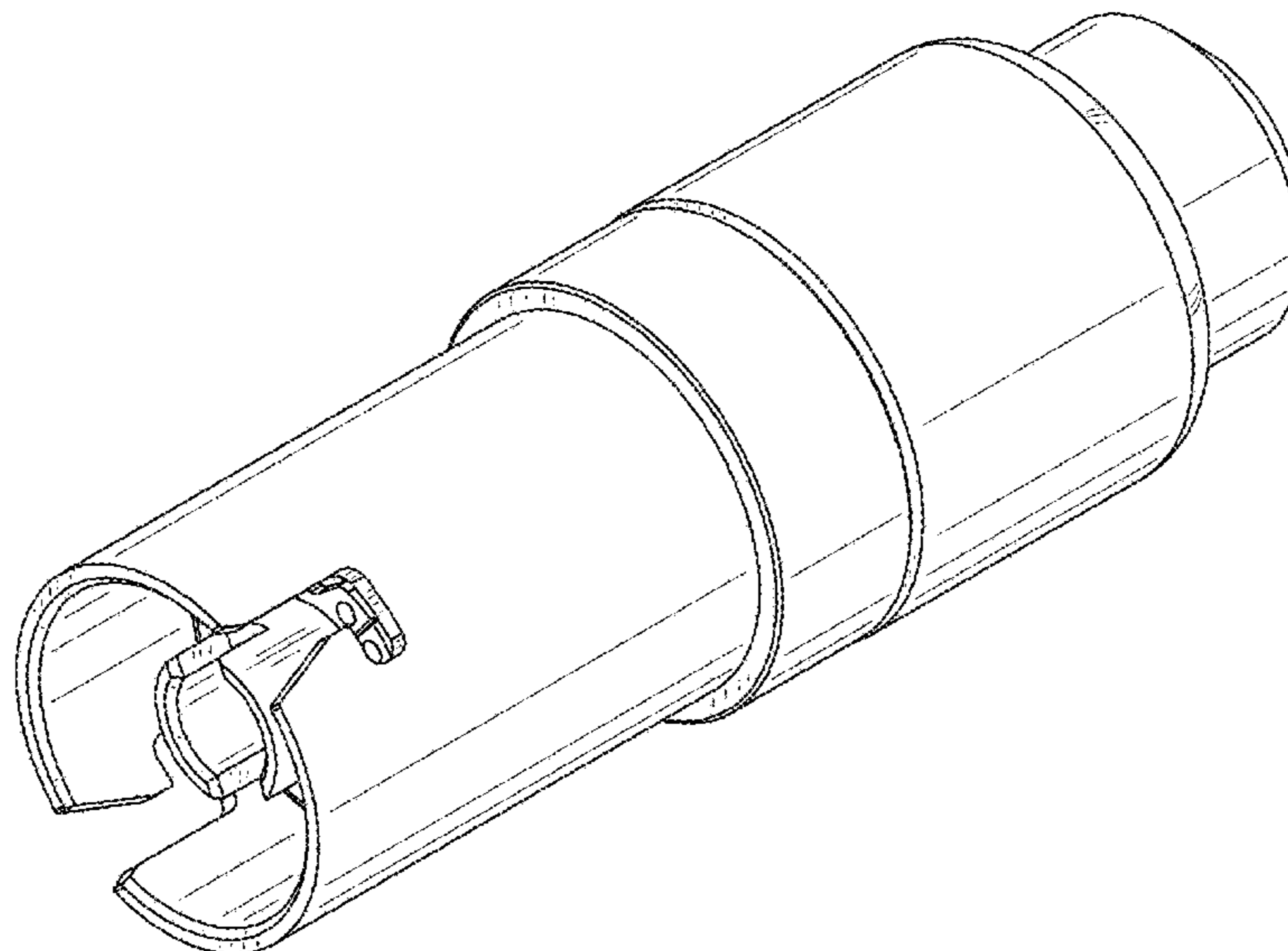
(57) **CLAIM**

The ornamental design for a removable chuck, as shown and described.

DESCRIPTION

FIG. 1 is a perspective view of a removable chuck;
 FIG. 2 is a left side elevation view of the removable chuck of FIG. 1;
 FIG. 3 is a right side elevation view of the removable chuck of FIG. 1;
 FIG. 4 is a rear elevation view of the removable chuck of FIG. 1;
 FIG. 5 is a front elevation view of the removable chuck of FIG. 1;
 FIG. 6 is a top plan view of the removable chuck of FIG. 1;
 and,
 FIG. 7 is a bottom plan view of the removable chuck of FIG. 1.
 The broken lines in the drawings illustrate portions of the removable chuck that form no part of the claimed design.

1 Claim, 6 Drawing Sheets



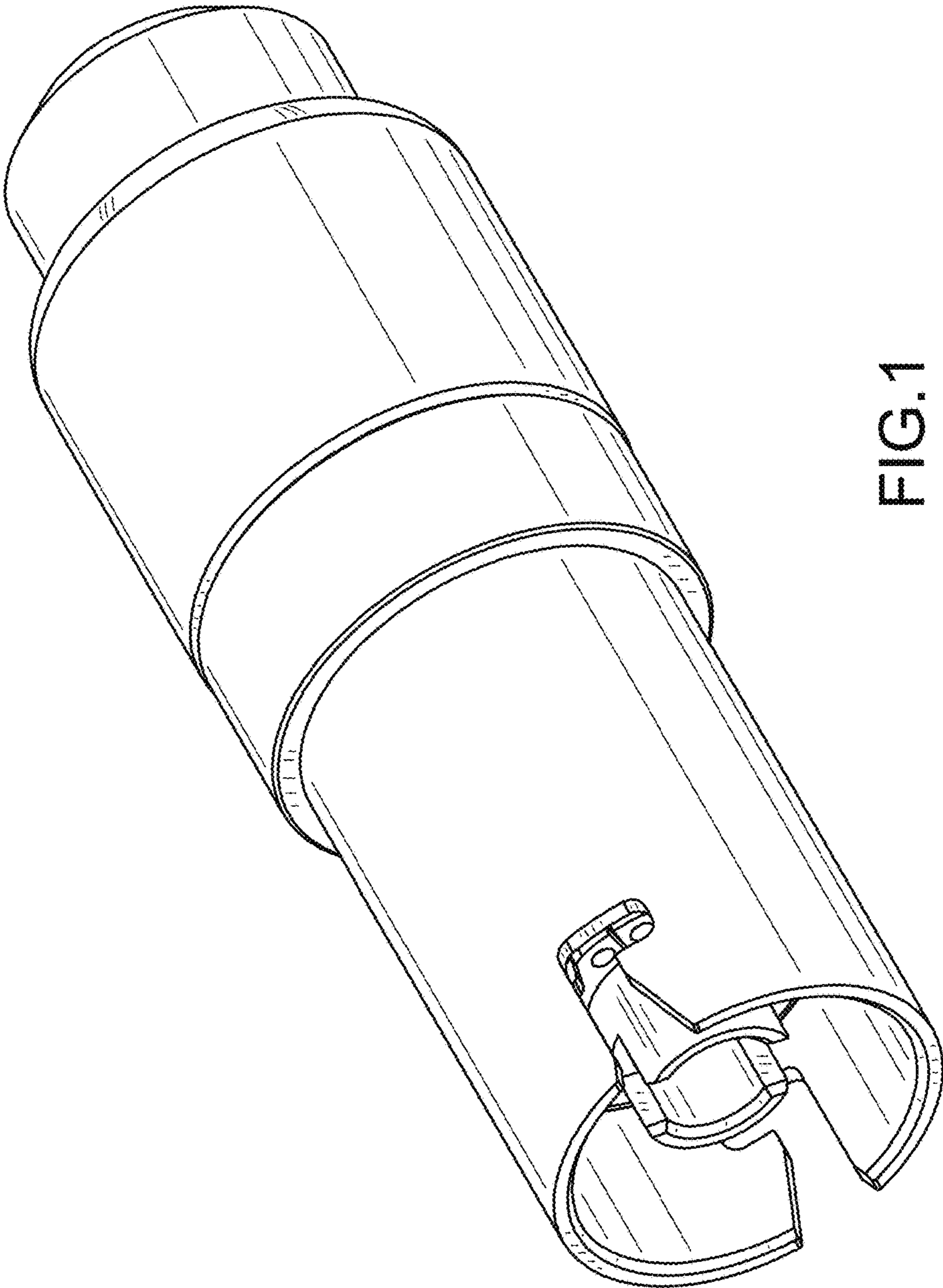


FIG. 1

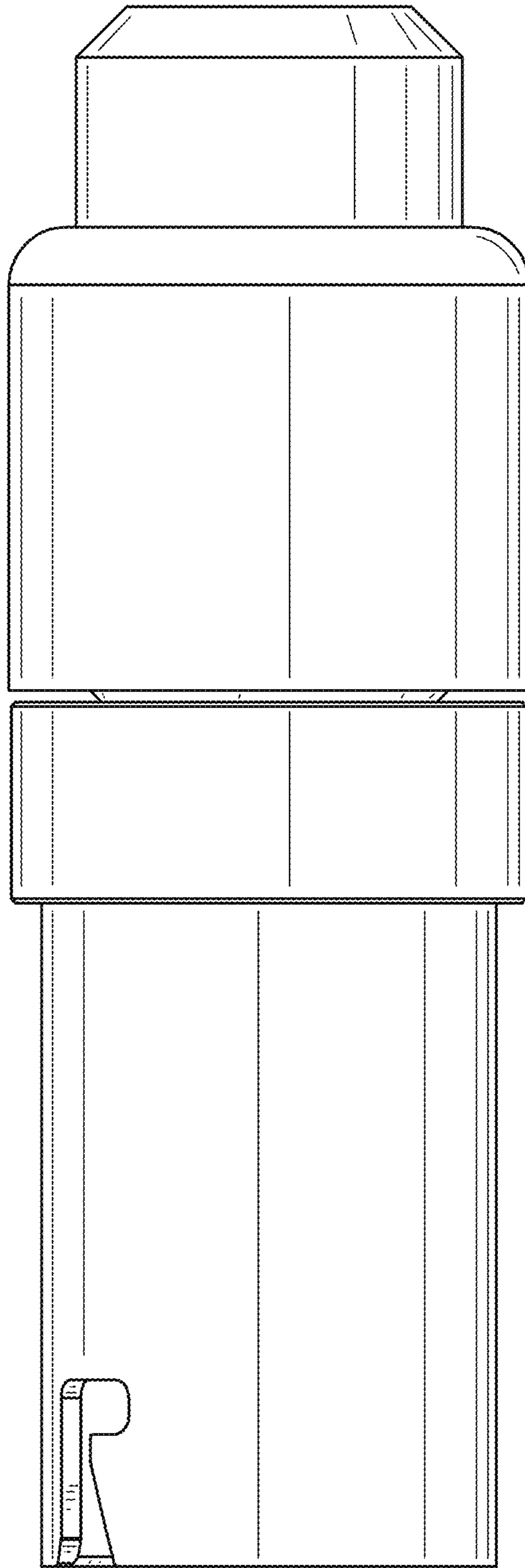


FIG.2

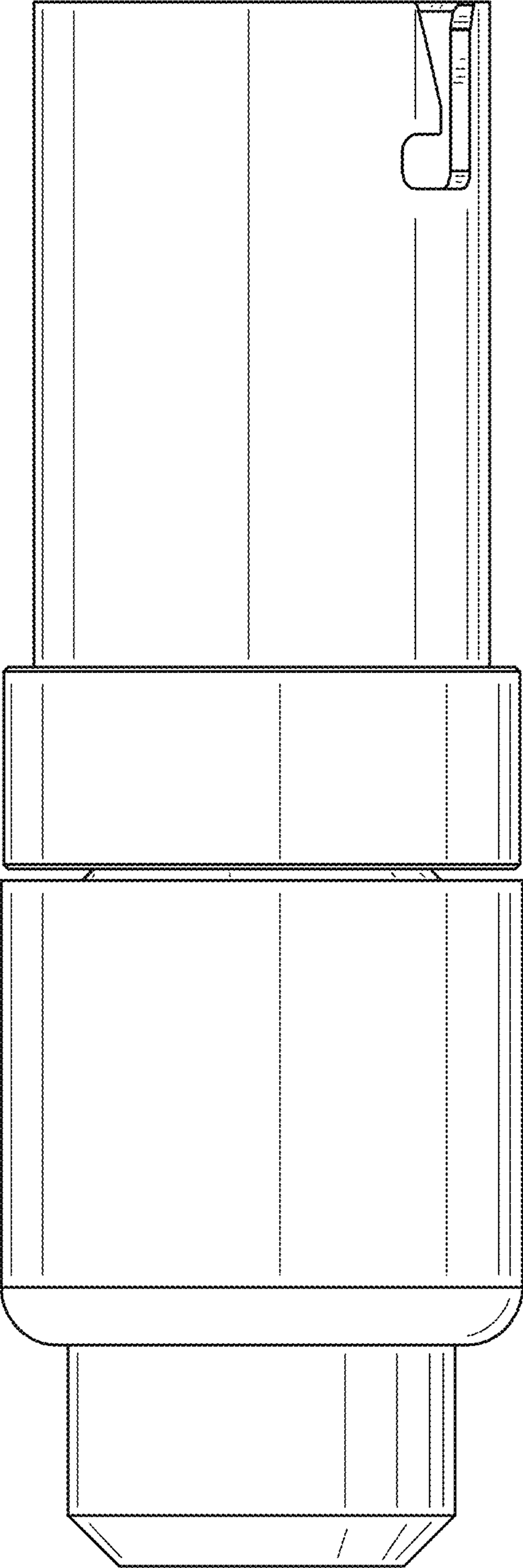


FIG.3

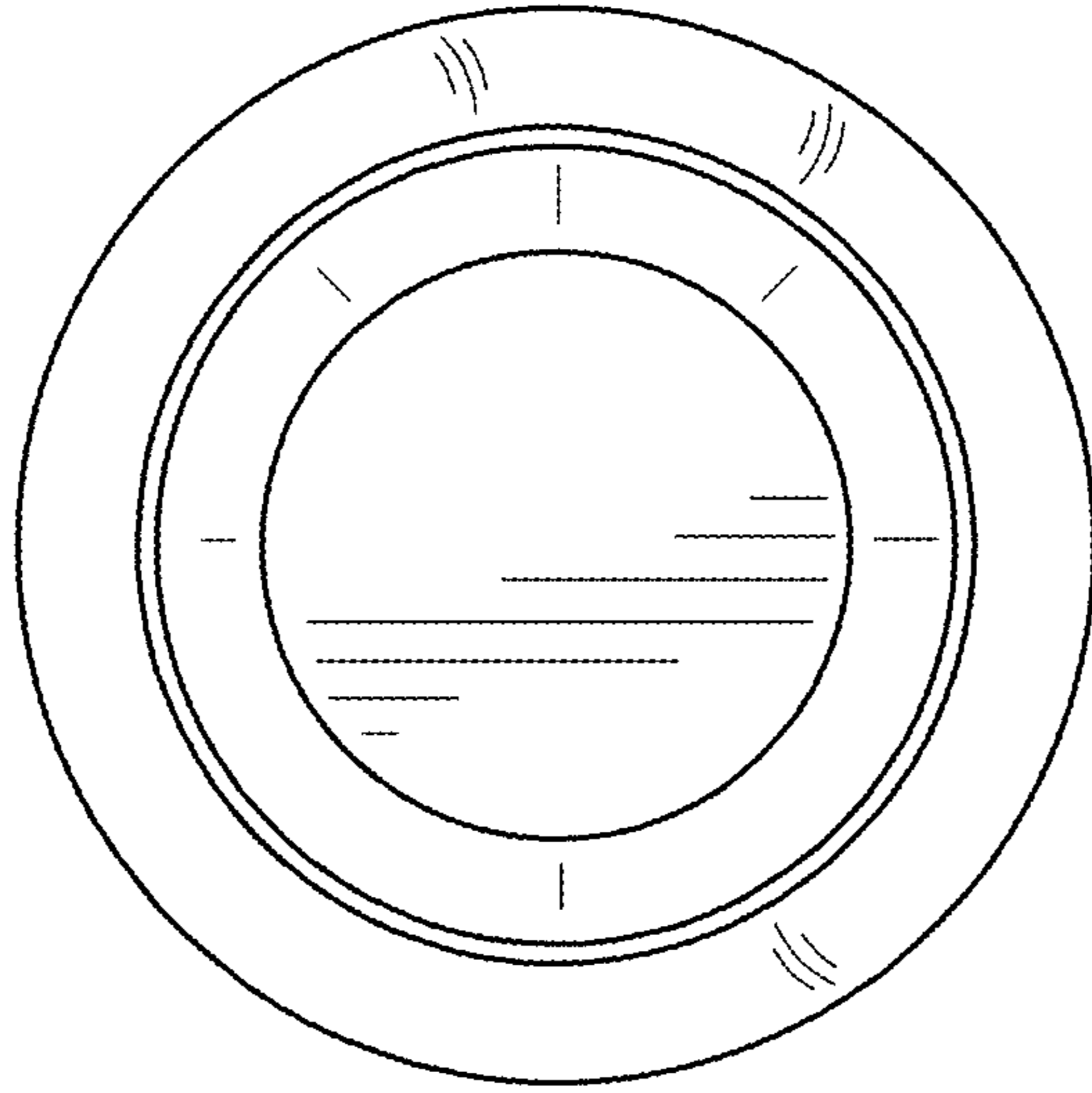


FIG.5

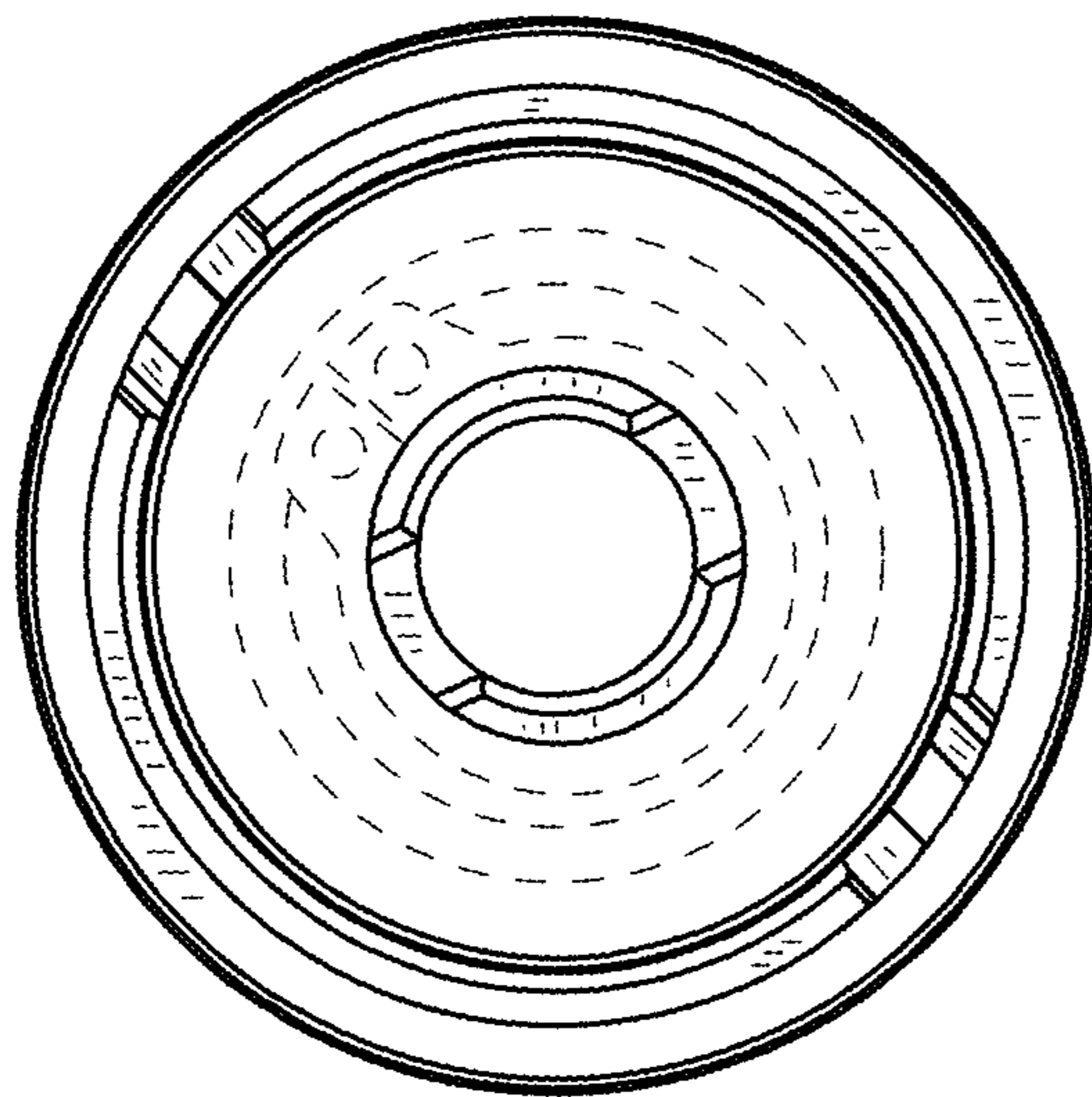


FIG.4

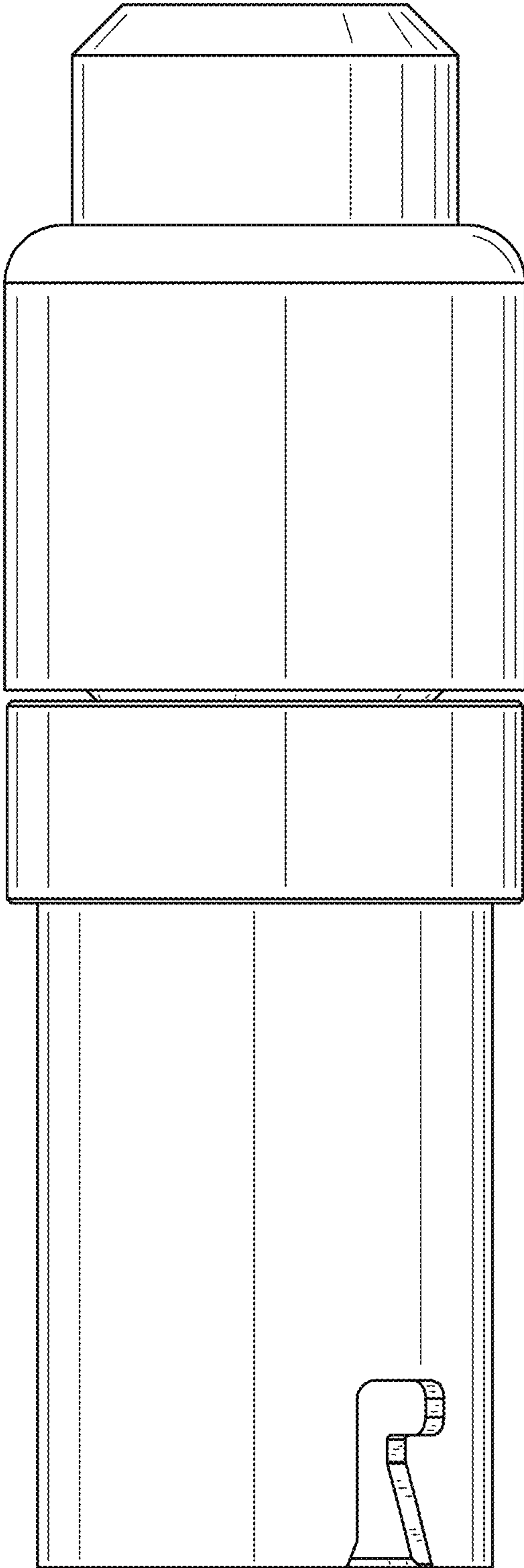


FIG.6

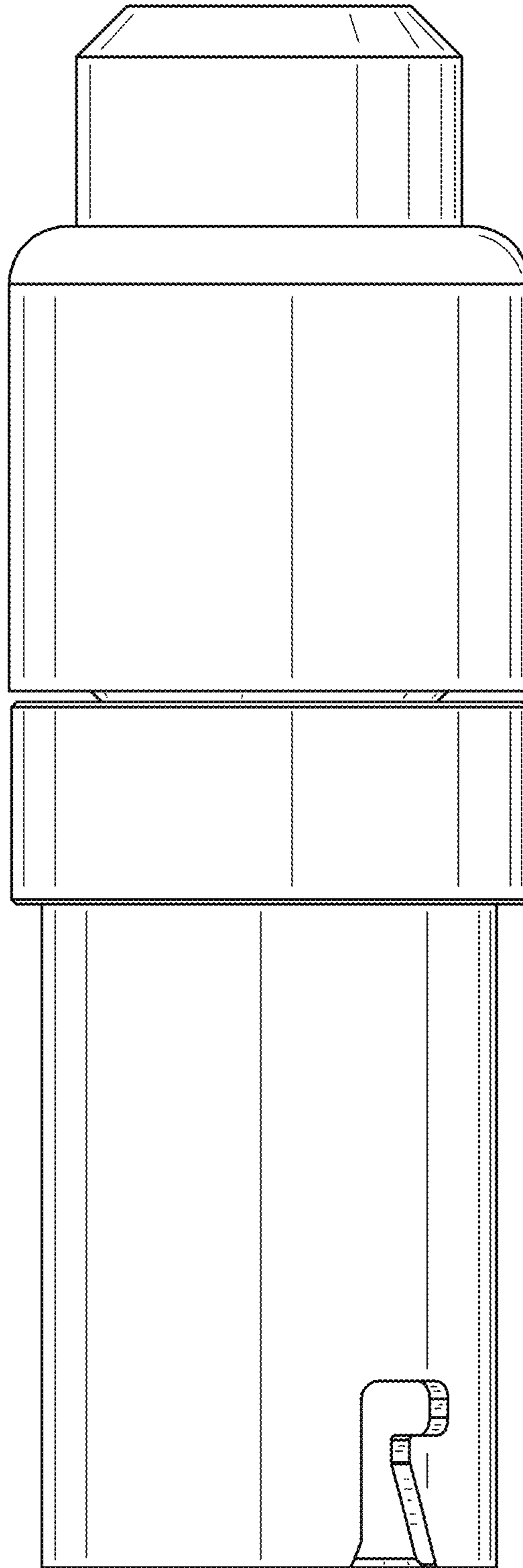


FIG. 7