



US00D793831S

(12) **United States Design Patent** (10) **Patent No.:** **US D793,831 S**
Russell et al. (45) **Date of Patent:** **** Aug. 8, 2017**

(54) **REMOVABLE CHUCK**
(71) Applicant: **McGinley Engineered Solutions, LLC**,
Casper, WY (US)
(72) Inventors: **Matthew V. Russell**, Casper, WY (US);
Ben Warren, Glenrock, WY (US);
Joseph C. McGinley, Casper, WY (US)
(73) Assignee: **McGinley Engineered Solutions, LLC**,
Casper, WY (US)
(**) Term: **15 Years**
(21) Appl. No.: **29/553,657**
(22) Filed: **Feb. 3, 2016**
(51) **LOC (10) Cl.** **08-03**
(52) **U.S. Cl.**
USPC **D8/70**
(58) **Field of Classification Search**
USPC D8/70, 71, 85, 86, 349, 359, 382, 387,
D8/394, 397; D15/138, 139; D22/134,
D22/137, 138, 140, 141; D3/24, 25
CPC B25B 15/00; B25B 23/0035; B25B 23/12;
B25B 23/0028; B25B 23/00; B25B 23/10;
B25B 23/08; B25F 1/003; B25G 1/066
See application file for complete search history.

(56) **References Cited**
U.S. PATENT DOCUMENTS
D330,318 S * 10/1992 Snider D8/70
5,881,613 A * 3/1999 Han B25B 23/0064
408/241 S
D419,845 S * 2/2000 Yasutomi D8/70
D423,899 S * 5/2000 Yasutomi D8/70

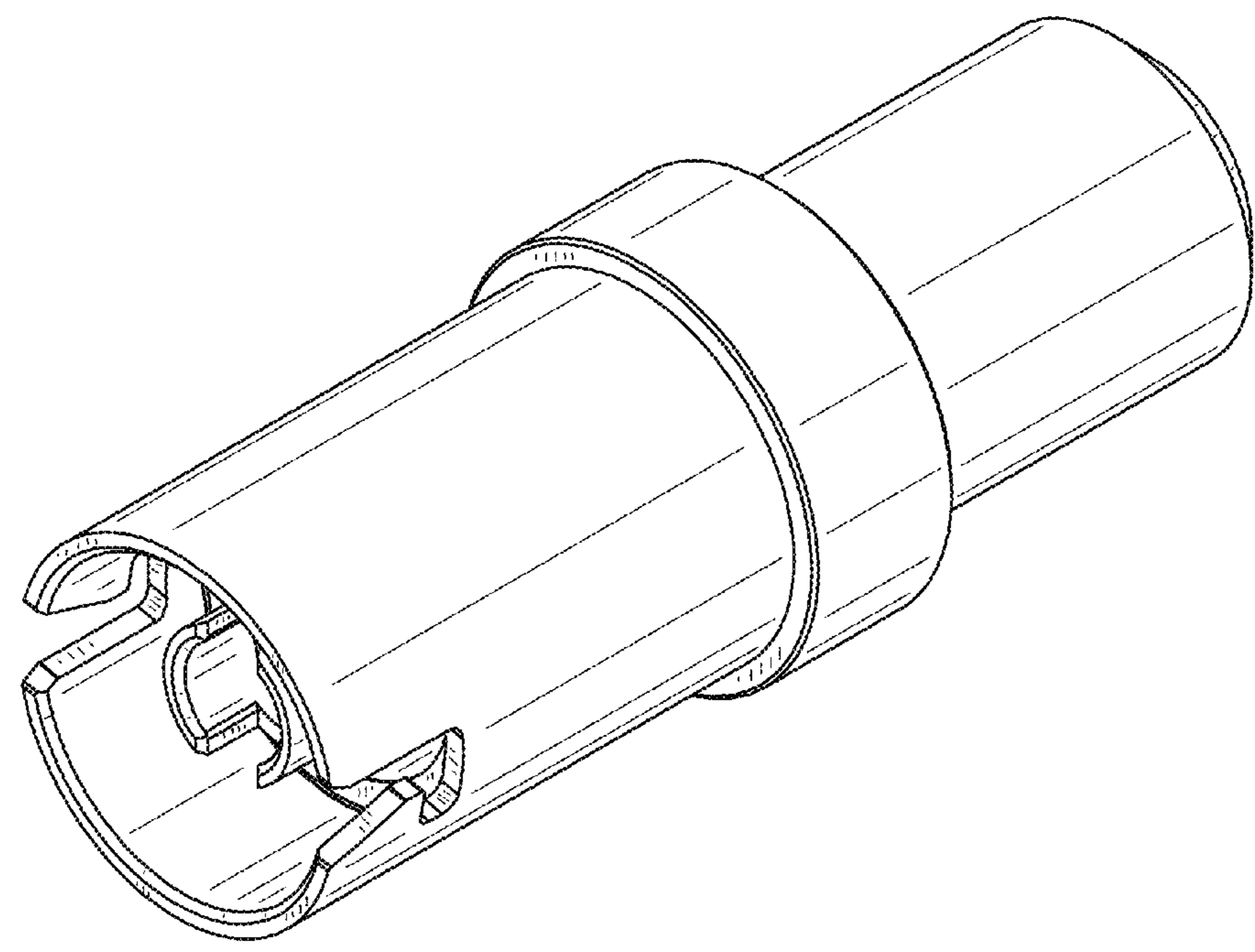
6,499,381 B2 * 12/2002 Ladish B25B 23/0064
81/429
6,695,321 B2 * 2/2004 Bedi B25B 15/001
279/22
D710,174 S * 8/2014 Moss D8/70
D710,175 S * 8/2014 Moss D8/70
D710,176 S * 8/2014 Santamarina D8/70
D723,896 S * 3/2015 Durfee D8/70
D732,364 S * 6/2015 Rinaldis D8/70

* cited by examiner
Primary Examiner — Darlington Ly
(74) *Attorney, Agent, or Firm* — Marsh Fischmann &
Breyfogle LLP

(57) **CLAIM**
The ornamental design for a removable chuck, as shown and
described.

DESCRIPTION
FIG. 1 is a perspective view of a removable chuck;
FIG. 2 is a left side elevation view of the removable chuck
of FIG. 1;
FIG. 3 is a right side elevation view of the removable chuck
of FIG. 1;
FIG. 4 is a rear elevation view of the removable chuck of
FIG. 1;
FIG. 5 is a front elevation view of the removable chuck of
FIG. 1;
FIG. 6 is a top plan view of the removable chuck of FIG. 1;
and,
FIG. 7 is a bottom plan view of the removable chuck of FIG.
1.
The broken lines in the drawings illustrate portions of the
removable chuck that form no part of the claimed design.

1 Claim, 4 Drawing Sheets



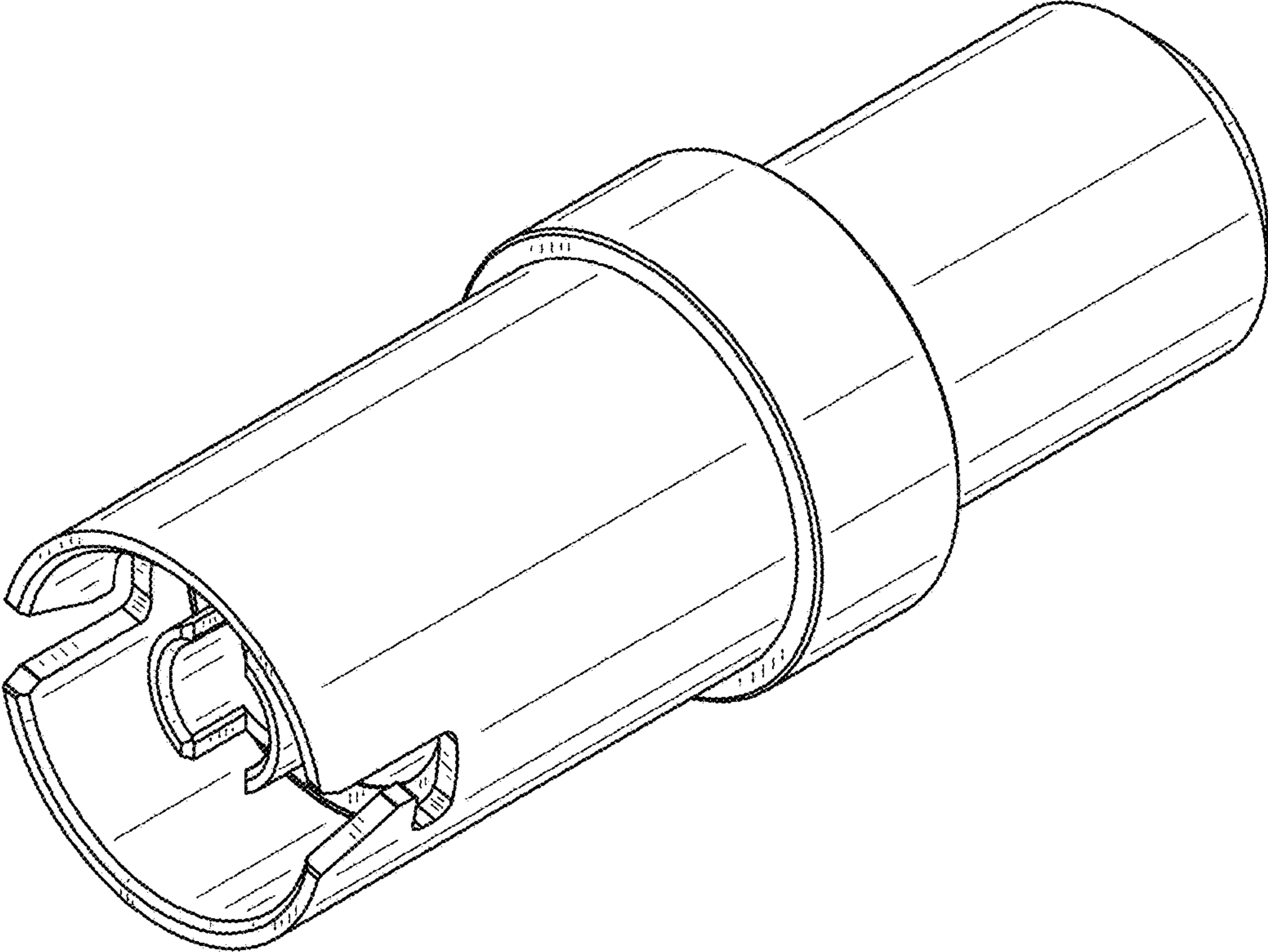


FIG.1

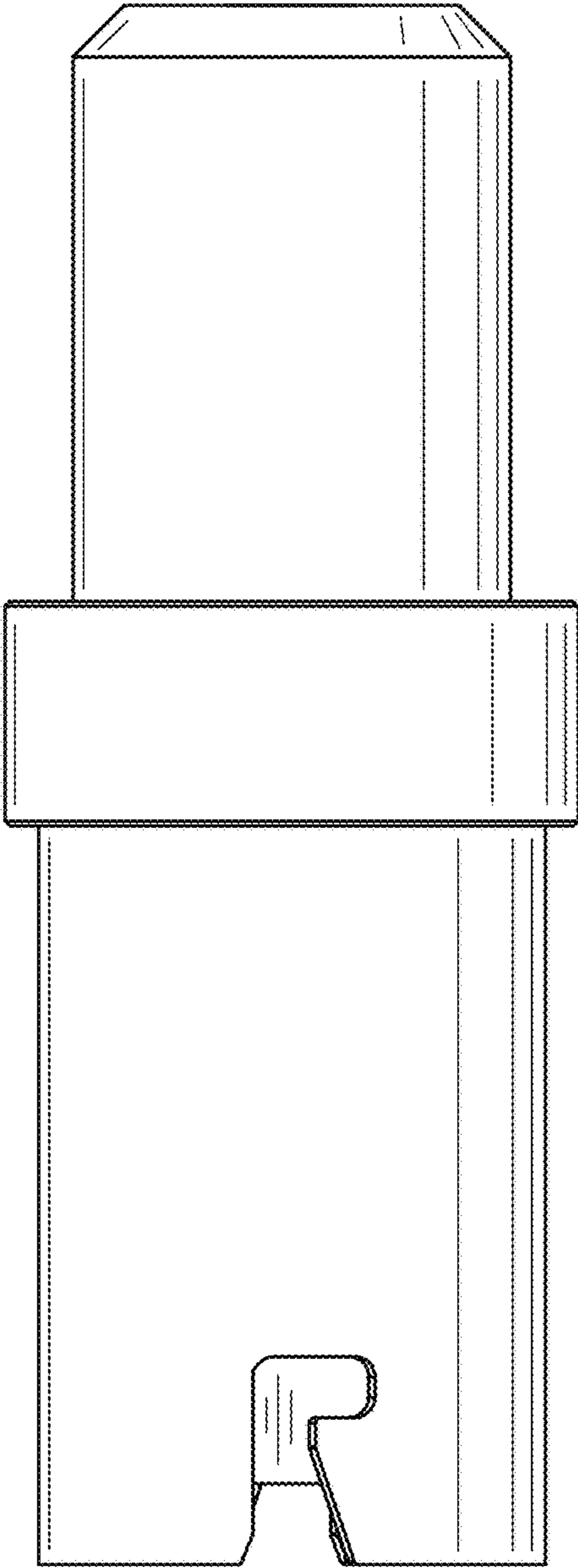


FIG. 2

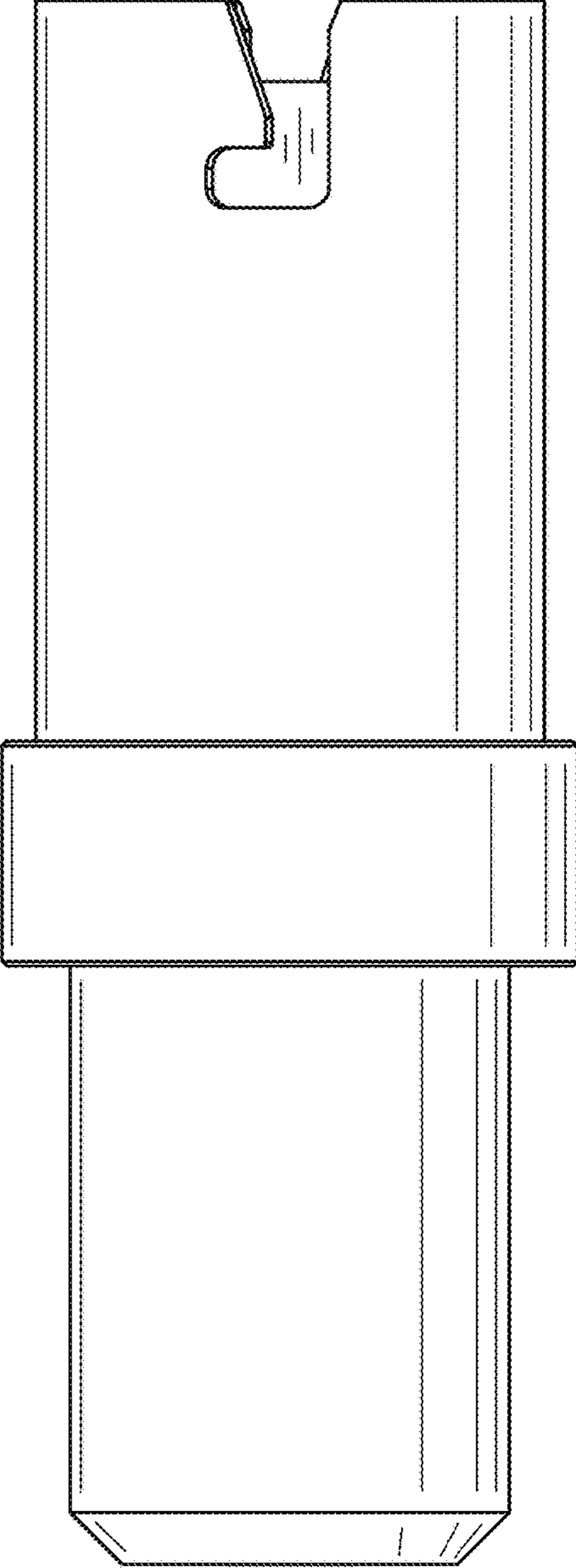


FIG. 3

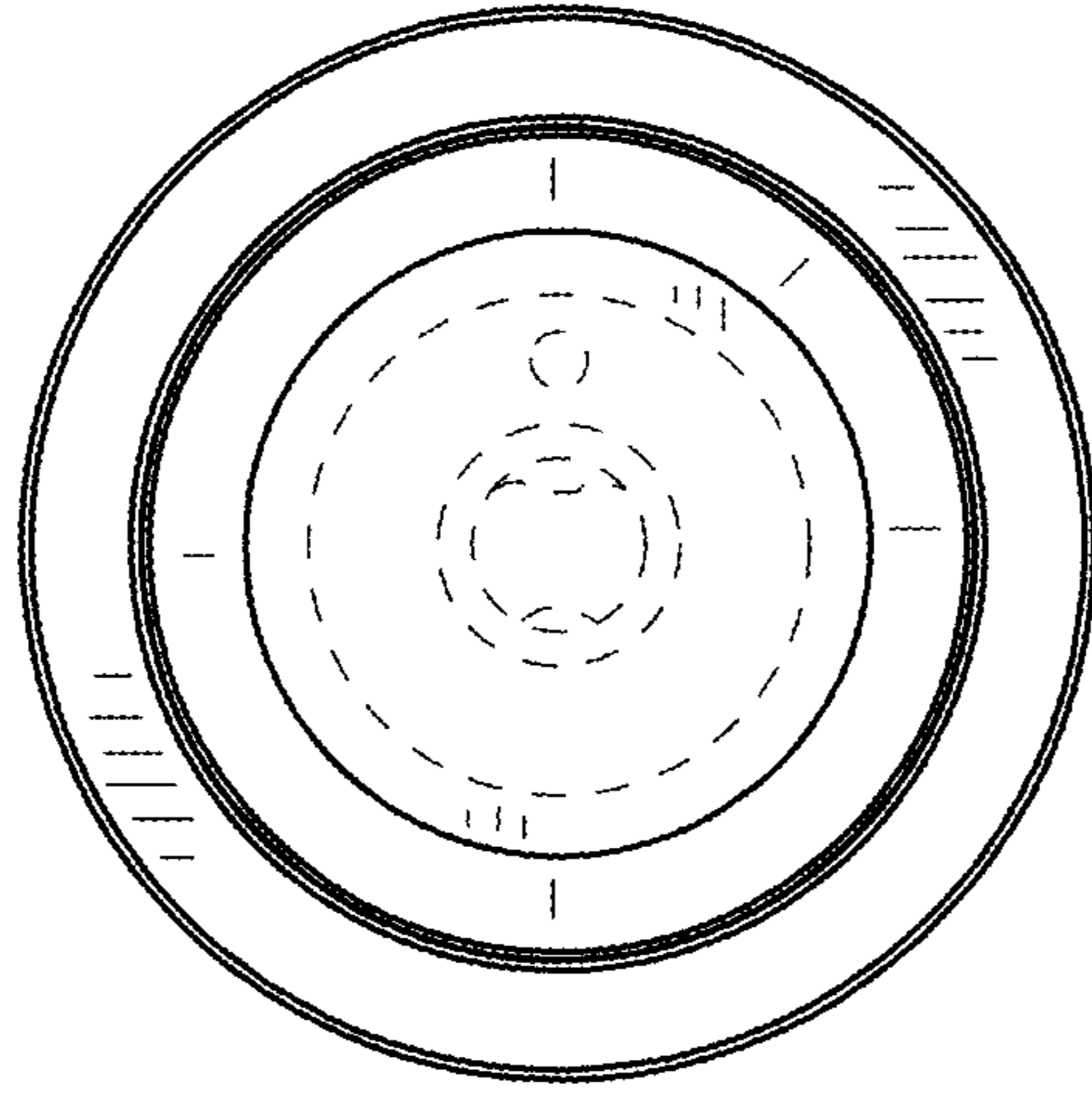


FIG. 5

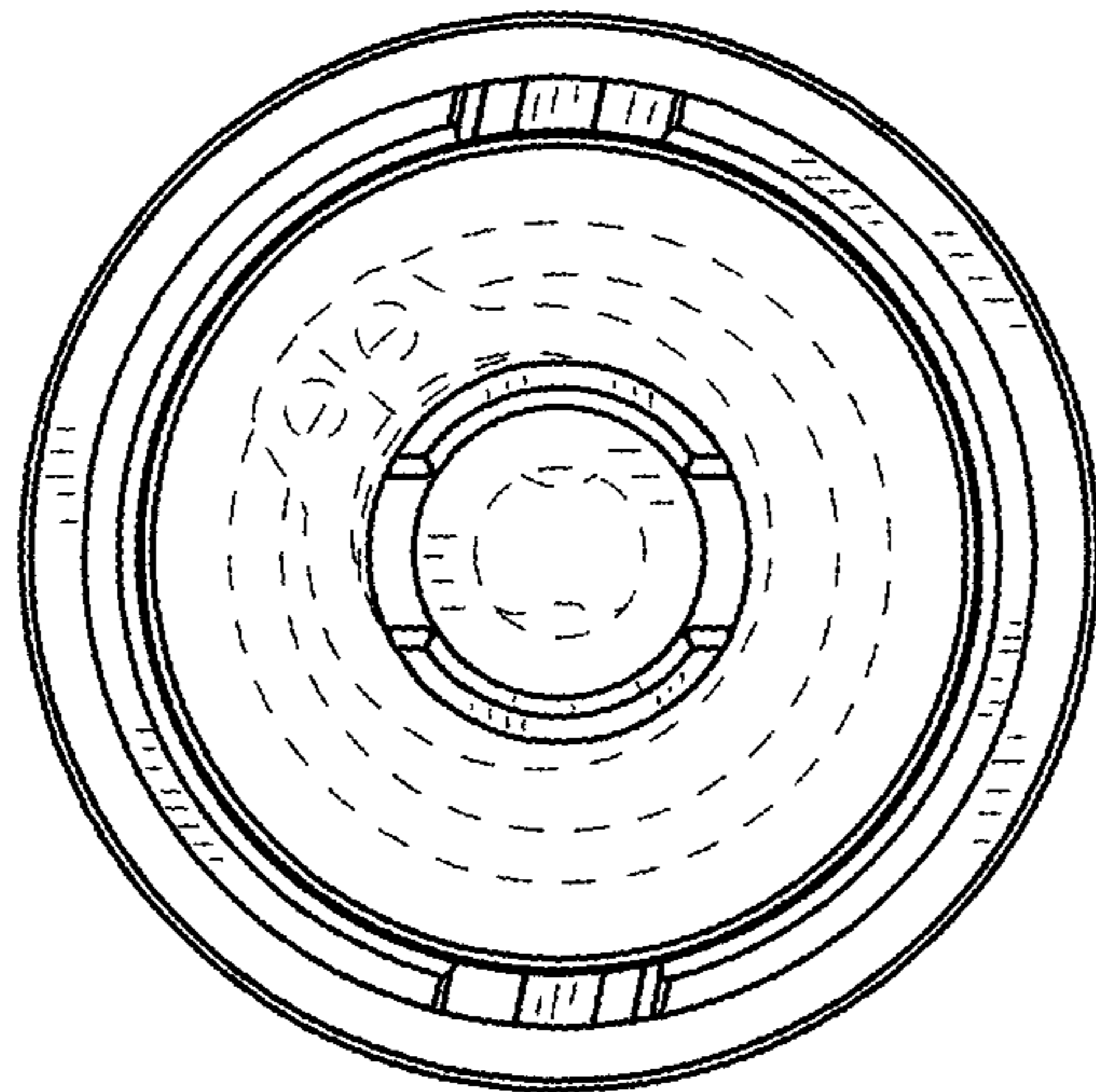


FIG. 4

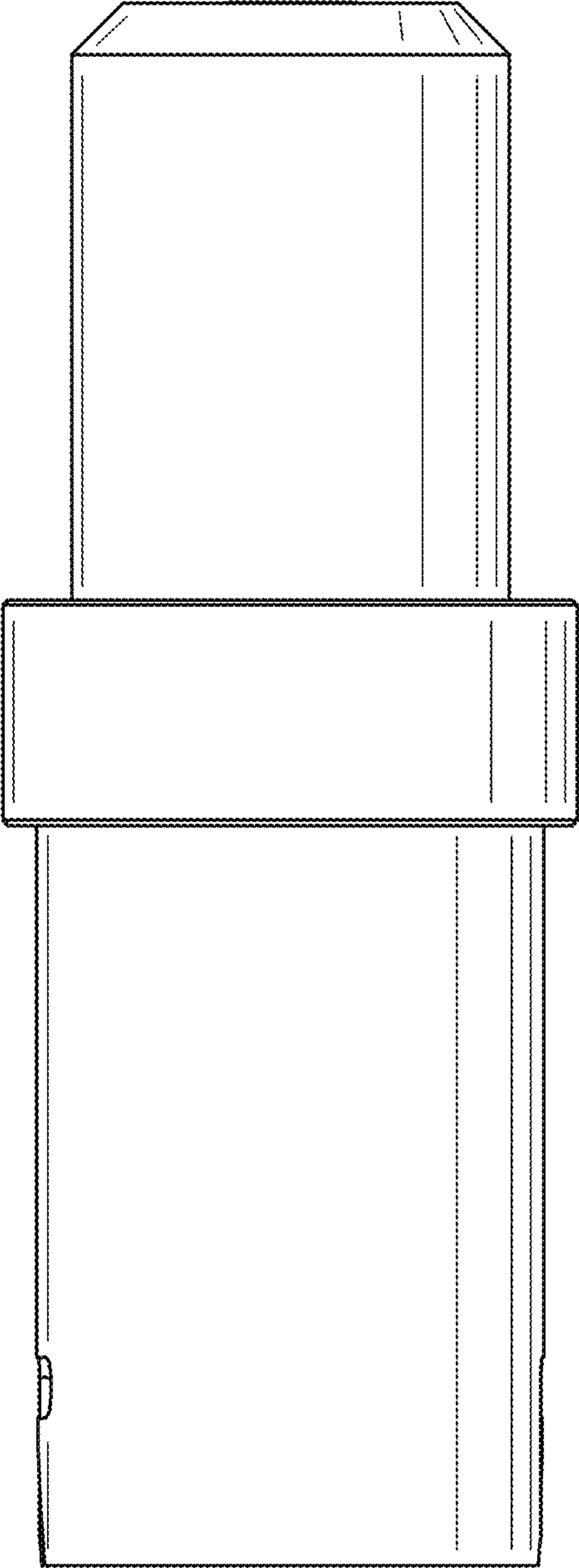


FIG. 6

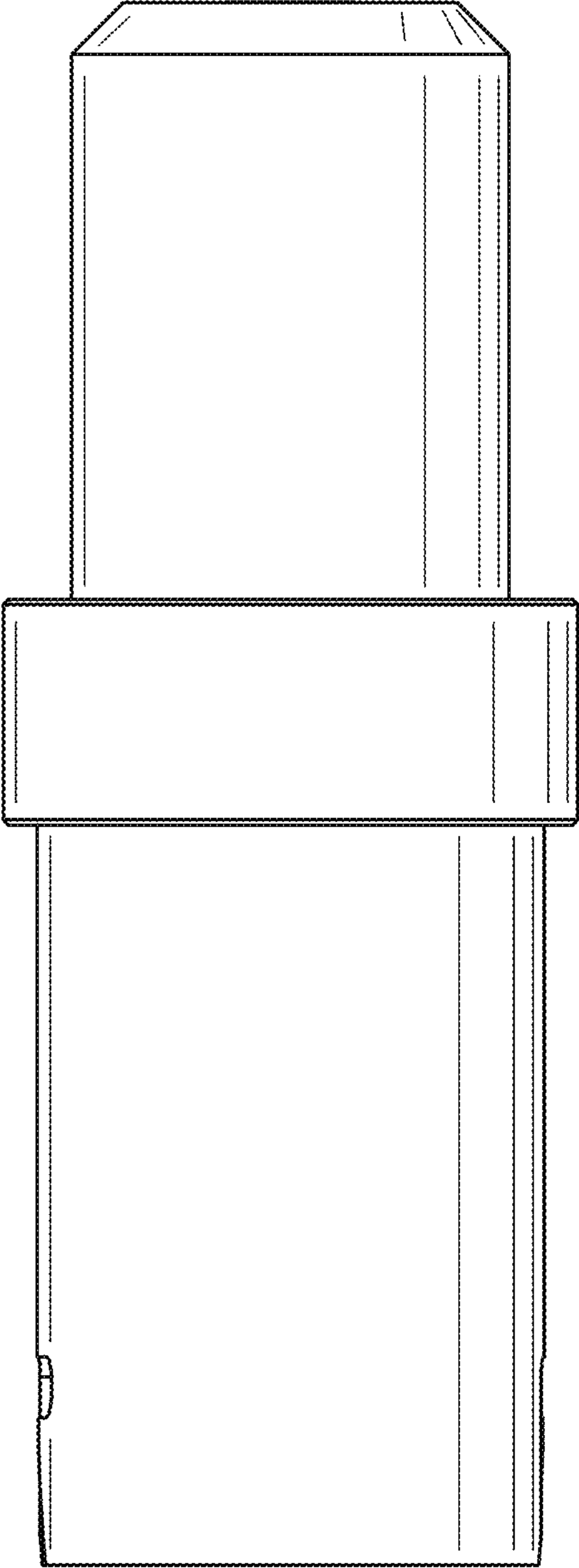


FIG. 7