



US00D793830S

(12) **United States Design Patent** (10) **Patent No.:** **US D793,830 S**
Layton, Jr. et al. (45) **Date of Patent:** **** Aug. 8, 2017**

(54) **SKATE BLADE SHARPENING SYSTEM**
(71) Applicant: **Velasa Sports, Inc.**, Acton, MA (US)
(72) Inventors: **Russell K. Layton, Jr.**, Acton, MA (US); **Daniel A. Beaudet**, Lexington, MA (US); **Ivan D. Goryachev**, Nashua, NH (US); **Zachary S. Hastings**, Ayer, MA (US)

3,574,975 A 4/1971 Liss
3,650,073 A 3/1972 Weisman
3,735,533 A 5/1973 Salberg
3,742,655 A 7/1973 Oliver
3,756,796 A 9/1973 Miller
3,789,551 A 2/1974 Norris et al.
3,800,632 A 4/1974 Juranitch
3,839,828 A 10/1974 Arnold
3,881,280 A 5/1975 Thompson
(Continued)

(73) Assignee: **VELASA SPORTS, INC.**, Acton, MA (US)

FOREIGN PATENT DOCUMENTS

(**) Term: **15 Years**

CA 1118514 2/1982
CA 1229985 12/1987
(Continued)

(21) Appl. No.: **29/532,597**

OTHER PUBLICATIONS

(22) Filed: **Jul. 8, 2015**

Invitation to Pay Additional Fees issued in International Application No. PCT/US2015/057078, mailed on Feb. 24, 2016.

(51) **LOC (10) Cl.** **08-05**

(52) **U.S. Cl.**
USPC **D8/61**

(58) **Field of Classification Search**
USPC D8/34, 35, 63, 91, 93; 451/45, 267, 552, 451/555-558; 76/82, 84, 86-89.2; 30/138

CPC B23D 59/04; B23D 63/16; B24B 55/02; B24B 3/58; B23Q 11/10

See application file for complete search history.

(Continued)

Primary Examiner — Austin Murphy
(74) *Attorney, Agent, or Firm* — Knobbe, Martens, Olson & Bear LLP

(56) **References Cited**

U.S. PATENT DOCUMENTS

1,219,004 A 3/1917 Kalanquin
2,114,967 A 4/1938 Myers
2,438,543 A 3/1948 Custin et al.
2,563,018 A 8/1951 Fello
2,599,952 A 6/1952 Strayer
2,722,792 A 11/1955 Harrington
2,775,075 A 12/1956 McMaster et al.
2,819,568 A 1/1958 Kasick
2,990,661 A 7/1961 Hackett
3,118,256 A 1/1964 De Witt
3,259,959 A 7/1966 Tobey

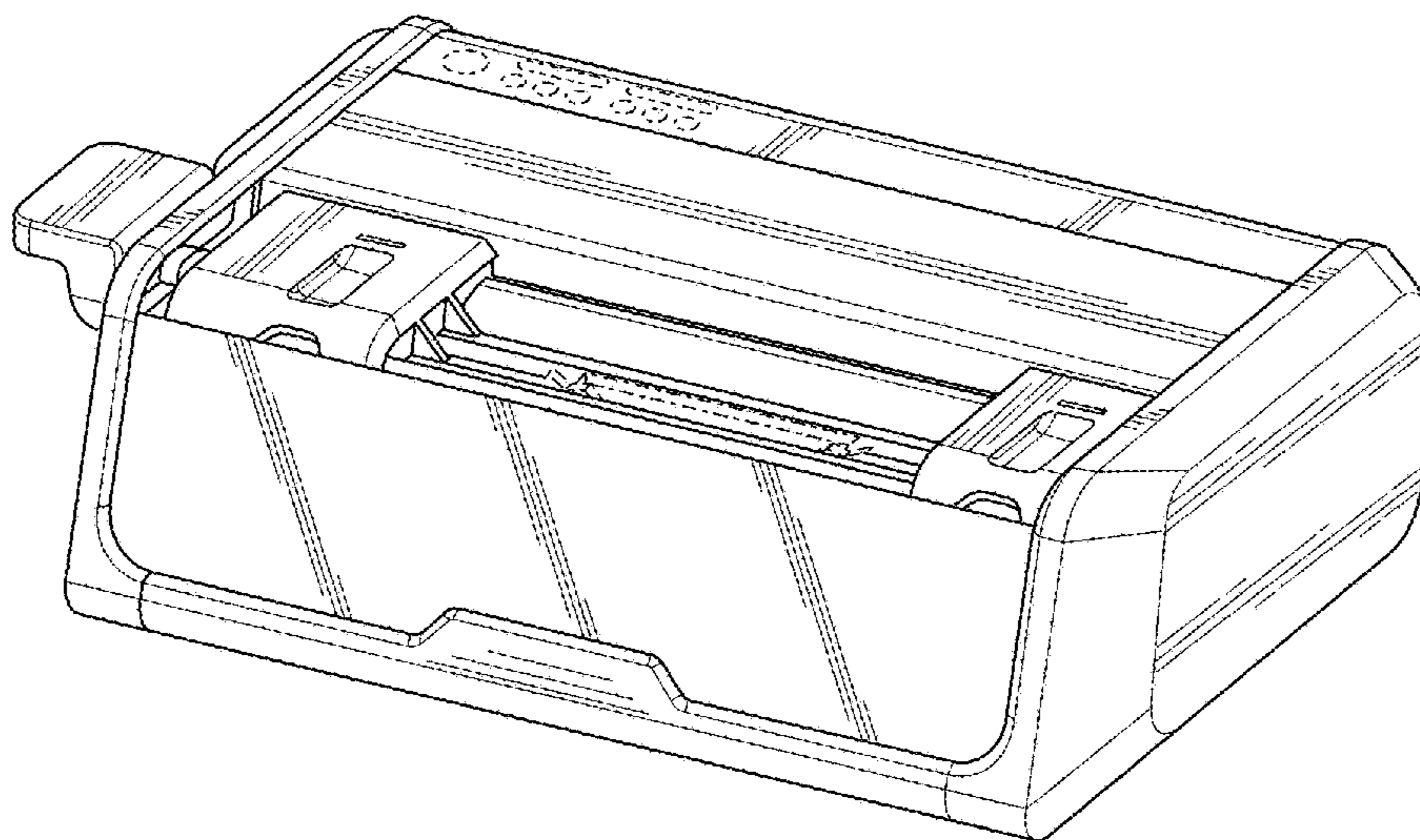
(57) **CLAIM**

The ornamental design for a skate blade sharpening system, as shown.

DESCRIPTION

FIG. 1 is a perspective view of a skate blade sharpening system according to an embodiment of the new design; FIG. 2 is a front view thereof; FIG. 3 is a rear view thereof; FIG. 4 is a left side view thereof; FIG. 5 is a right side view thereof; FIG. 6 is a top view thereof; and, FIG. 7 is a bottom view thereof.

1 Claim, 7 Drawing Sheets



(56)

References Cited

U.S. PATENT DOCUMENTS

3,988,124 A 10/1976 Babcock
 3,988,865 A 11/1976 Weisman
 4,055,026 A 10/1977 Zwicker
 4,078,337 A 3/1978 Chiasson et al.
 4,094,101 A 6/1978 Robinson
 4,235,050 A 11/1980 Hannaford et al.
 4,235,052 A 11/1980 Guidry
 4,271,635 A 6/1981 Szalay
 4,516,357 A 5/1985 Gach
 4,534,134 A 8/1985 Consay et al.
 4,549,372 A 10/1985 Sexton et al.
 4,558,541 A 12/1985 Consay
 4,570,387 A 2/1986 Unno et al.
 4,615,144 A 10/1986 Peacock et al.
 4,615,149 A 10/1986 Yoneda et al.
 4,722,152 A 2/1988 Ek et al.
 4,756,125 A 7/1988 Kadnar
 4,967,515 A 11/1990 Tsujiuchi et al.
 5,009,039 A 4/1991 Lager et al.
 D328,305 S * 7/1992 Wong D15/7
 5,127,194 A 7/1992 Jobin
 5,129,190 A 7/1992 Kovach et al.
 5,177,901 A 1/1993 Smith
 5,259,148 A 11/1993 Wiand
 5,547,416 A 8/1996 Timms
 5,562,526 A 10/1996 Yoneda et al.
 5,591,069 A 1/1997 Wurthman
 5,601,473 A 2/1997 Strain et al.
 5,823,854 A 10/1998 Chen
 5,897,428 A 4/1999 Sakcriska
 5,989,114 A 11/1999 Donahue et al.
 6,116,989 A 9/2000 Balastik
 6,422,934 B1 7/2002 Blach et al.
 D478,905 S * 8/2003 Byrne D14/384
 6,602,109 B1 8/2003 Malkin et al.
 6,626,745 B1 9/2003 Bernard
 7,018,280 B2 * 3/2006 Walker B24B 23/06
 451/344
 D525,936 S * 8/2006 Tanabe D13/123
 D527,225 S * 8/2006 Krieger D7/605
 7,104,876 B1 * 9/2006 Lin B24D 15/06
 451/312
 7,118,466 B2 10/2006 Laney
 7,121,932 B2 * 10/2006 Liao B24B 3/247
 451/179
 7,220,161 B2 5/2007 Eriksson
 7,387,562 B1 * 6/2008 Blum B24D 15/08
 451/380
 7,473,164 B2 1/2009 Sunnen
 D594,952 S * 6/2009 Orihara D23/366
 D595,318 S * 6/2009 Cigarini D15/125
 D603,432 S 11/2009 Wilson et al.
 7,934,978 B2 5/2011 Wilson et al.
 8,197,304 B2 * 6/2012 Hummel B24B 3/34
 451/380
 D665,830 S 8/2012 Wilson et al.
 8,246,425 B2 8/2012 Schudel
 8,277,284 B2 10/2012 Wilson et al.
 8,316,742 B2 11/2012 Craig et al.
 D681,077 S 4/2013 Wilson et al.
 8,430,723 B2 4/2013 Moon
 D682,646 S * 5/2013 Knopp D8/61
 8,696,407 B2 * 4/2014 Dovel B24B 3/52
 451/296
 D708,922 S * 7/2014 Evans D8/91
 8,827,768 B2 9/2014 Allen
 8,888,567 B2 11/2014 Allen et al.
 D725,453 S * 3/2015 Lodato D8/91
 9,114,498 B1 8/2015 Layton, Jr. et al.
 9,242,330 B1 1/2016 Layton, Jr. et al.
 D757,514 S * 5/2016 Cigarini D8/61

9,339,911 B2 5/2016 Eriksson
 9,352,437 B2 5/2016 Layton, Jr. et al.
 9,352,444 B2 5/2016 Layton, Jr. et al.
 9,475,175 B2 10/2016 Layton, Jr. et al.
 D772,670 S * 11/2016 Barezzani D8/68
 9,566,682 B2 2/2017 Layton, Jr. et al.
 9,573,236 B2 2/2017 Layton, Jr. et al.
 2002/0009964 A1 1/2002 Wolf et al.
 2003/0156401 A1 8/2003 Komine et al.
 2004/0209547 A1 10/2004 Hatano et al.
 2005/0130571 A1 6/2005 Sunnen
 2006/0159533 A1 7/2006 Zeiler et al.
 2006/0183411 A1 8/2006 Moon
 2006/0223419 A1 10/2006 Moon
 2007/0054598 A1 3/2007 Uchida et al.
 2008/0176496 A1 7/2008 Tasi
 2008/0280548 A1 11/2008 Wilson et al.
 2010/0125362 A1 5/2010 Canora et al.
 2011/0169233 A1 7/2011 Wilson et al.
 2011/0201257 A1 * 8/2011 Walker B24B 3/54
 451/45
 2012/0108151 A1 5/2012 Swist
 2012/0190279 A1 7/2012 Ficai
 2012/0302147 A1 11/2012 Trautner et al.
 2013/0344774 A1 12/2013 Allen
 2014/0179201 A1 6/2014 Proulx
 2015/0367224 A1 12/2015 Schatz
 2016/0114450 A1 4/2016 Layton, Jr. et al.
 2016/0114451 A1 4/2016 Layton, Jr. et al.
 2016/0114452 A1 4/2016 Layton, Jr. et al.
 2016/0114454 A1 4/2016 Layton, Jr. et al.
 2016/0114461 A1 4/2016 Layton, Jr. et al.
 2016/0114464 A1 4/2016 Layton, Jr. et al.

FOREIGN PATENT DOCUMENTS

CA 2260531 8/1999
 CA 2309222 11/2000
 CA 2323321 4/2002
 WO WO 2016/065237 A2 4/2016

OTHER PUBLICATIONS

International Search Report & Written Opinion of the International Searching Authority issued in International Application No. PCT/US2015/057078, mailed on May 2, 2016.
 "CAG One Service AB", downloaded from www.cagone.pl/dokumenty/cag-one-users-manual.pdf, 32 pages, Sep. 2009.
 "CAG Profiler Manual", downloaded from www.cagone.com/img/profiler.pdf, 23 pages, Sep. 2010.
 "Dupliskate Users Manual", downloaded from www.dupliskate.com/pdf/Dupliskate-User-Manual.pdf, 11 pages, Aug. 2013.
 "ProSharp AS2001 Allpro, AS1001 Portable, Skatepal PRO3 Instructions", downloaded from www.prosharp.net/file/broschyroriginalinstructions-eng.pdf, 40 pages, Apr. 2013.
 "SkatePal Pro Instructions", downloaded from www.prosharp.net/file/instruction-skatepal-pro2-eng.pdf, 12 pages, Oct. 2010.
 "SPAREPARTS SkatePal Pro 3", downloaded from www.prosharp.net/file/schematicssp13a1.pdf, 6 pages, Mar. 2013.
 "SSM Catalog", downloaded from www.skyice.org/ssm_catalogue_2011.pdf, 12 pages.
 CAG One Skate Sharpeners, "CAG One New Evolution Sharpening Machine", URL: <http://cagone.com/evolution/>, pp. 1-4.
 Craig Forsythe, "CAG Speed III Sharpener Manual", Teflon Publications MMV, downloaded from www.cagone.com/img/speed.pdf, 14 pages, Aug. 2009.
 ProSharp, "Grinding Wheels—SkatePals", 2015 ProSharp AB, URL: <http://prosharp.com/products/grinding-wheels/grinding-wheels>, pp. 1-9.

* cited by examiner

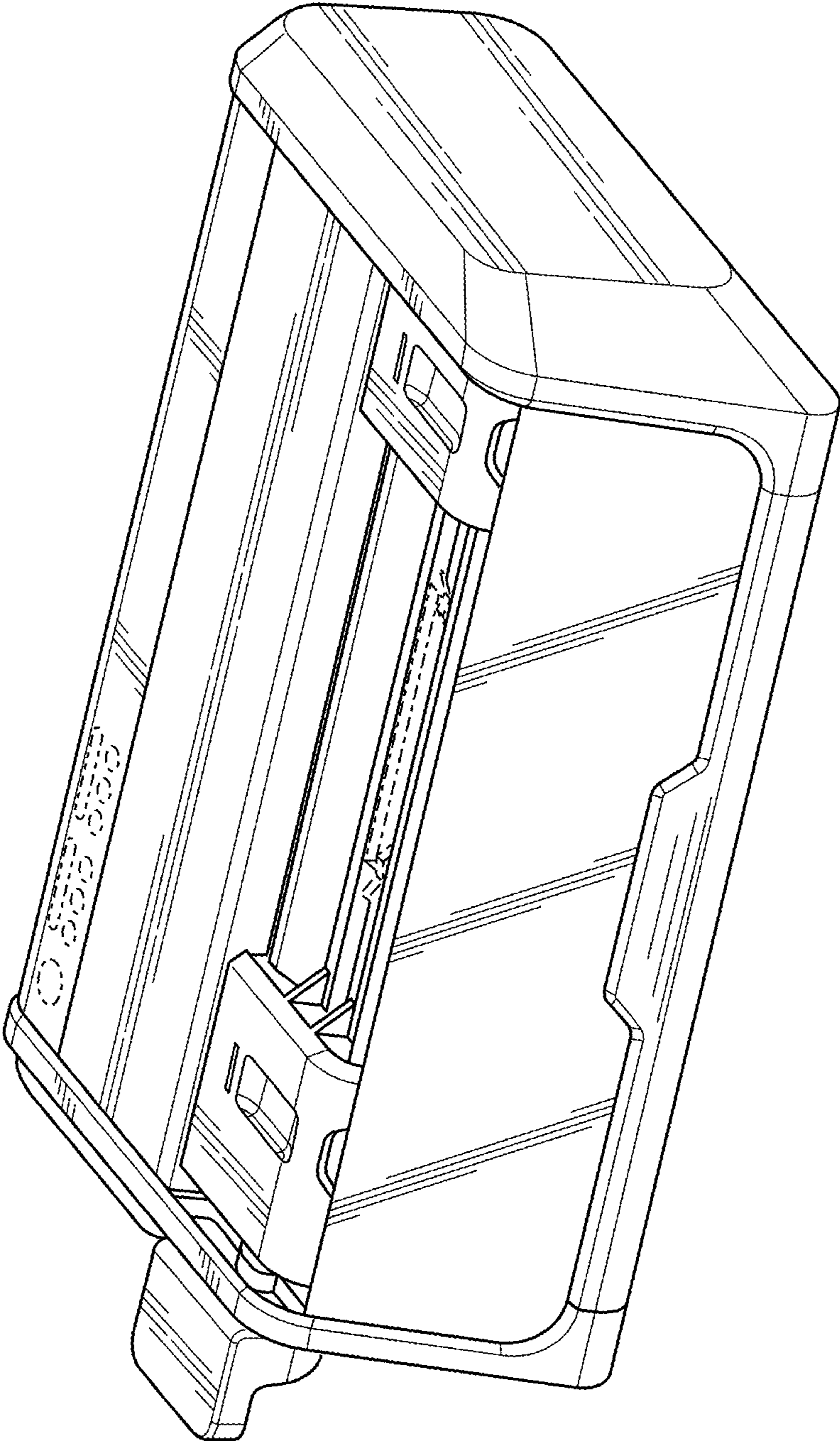


FIG. 1

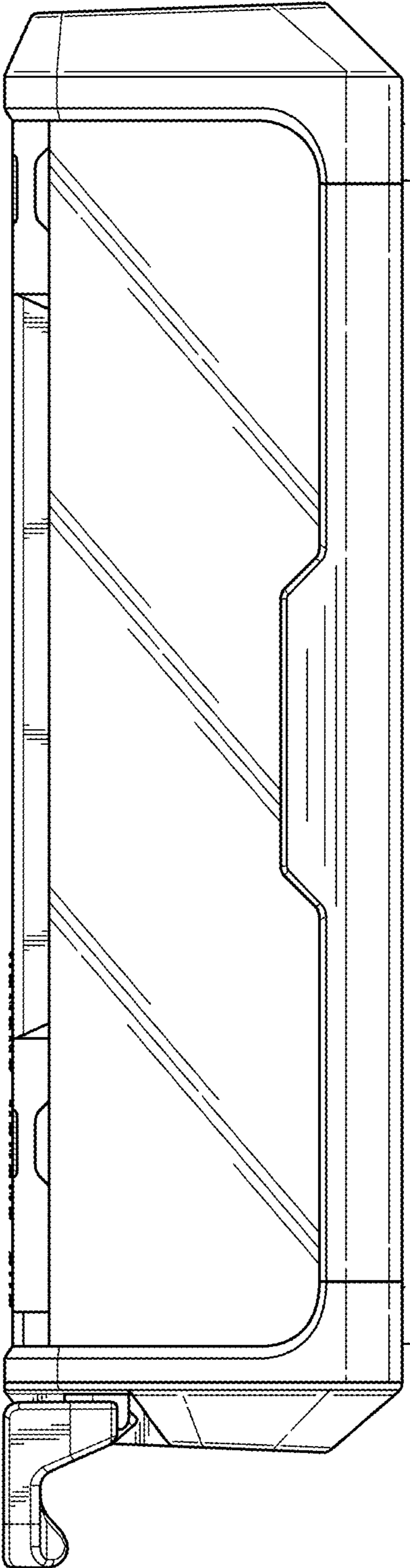


FIG. 2

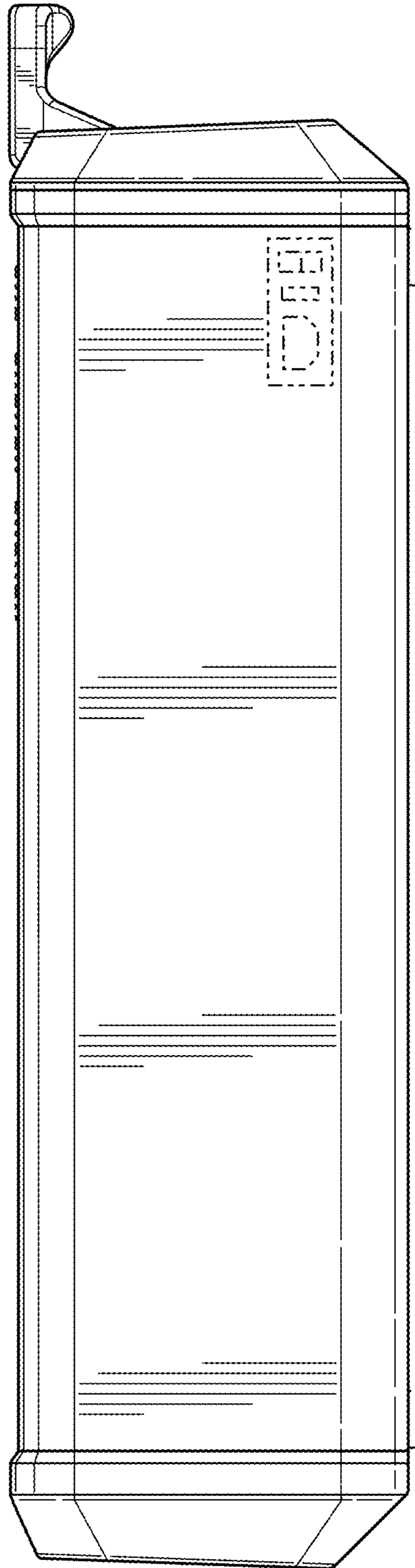


FIG. 3

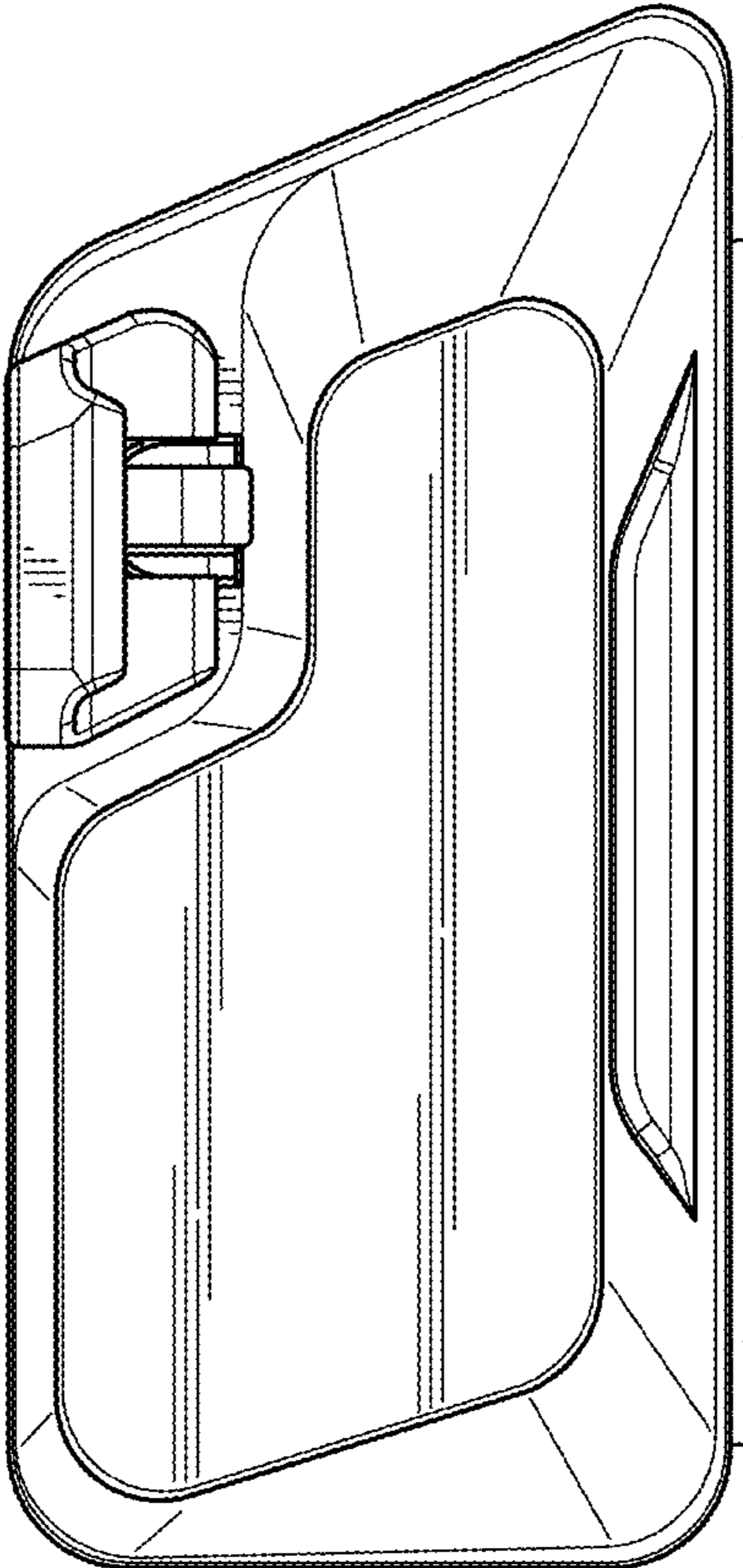


FIG. 4

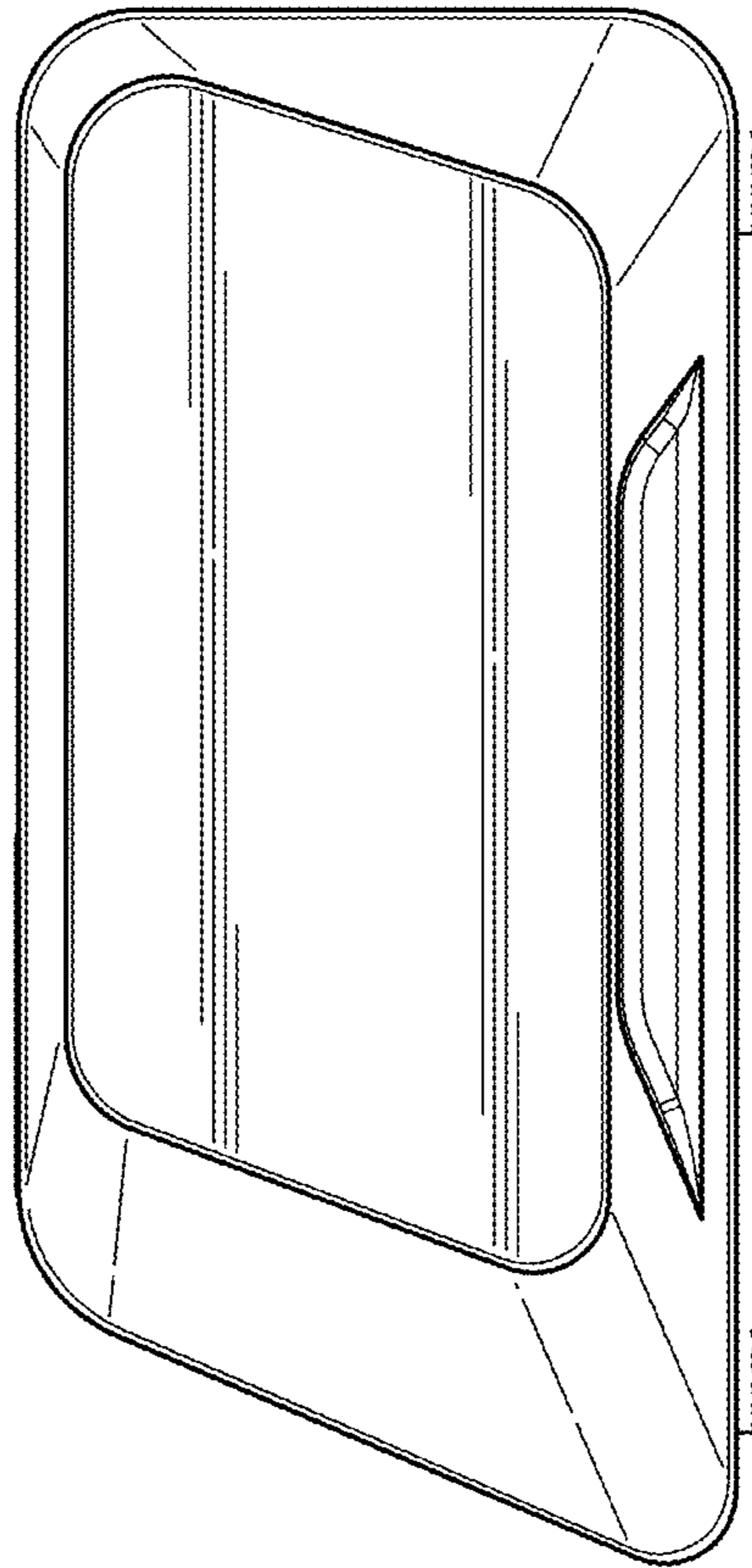


FIG. 5

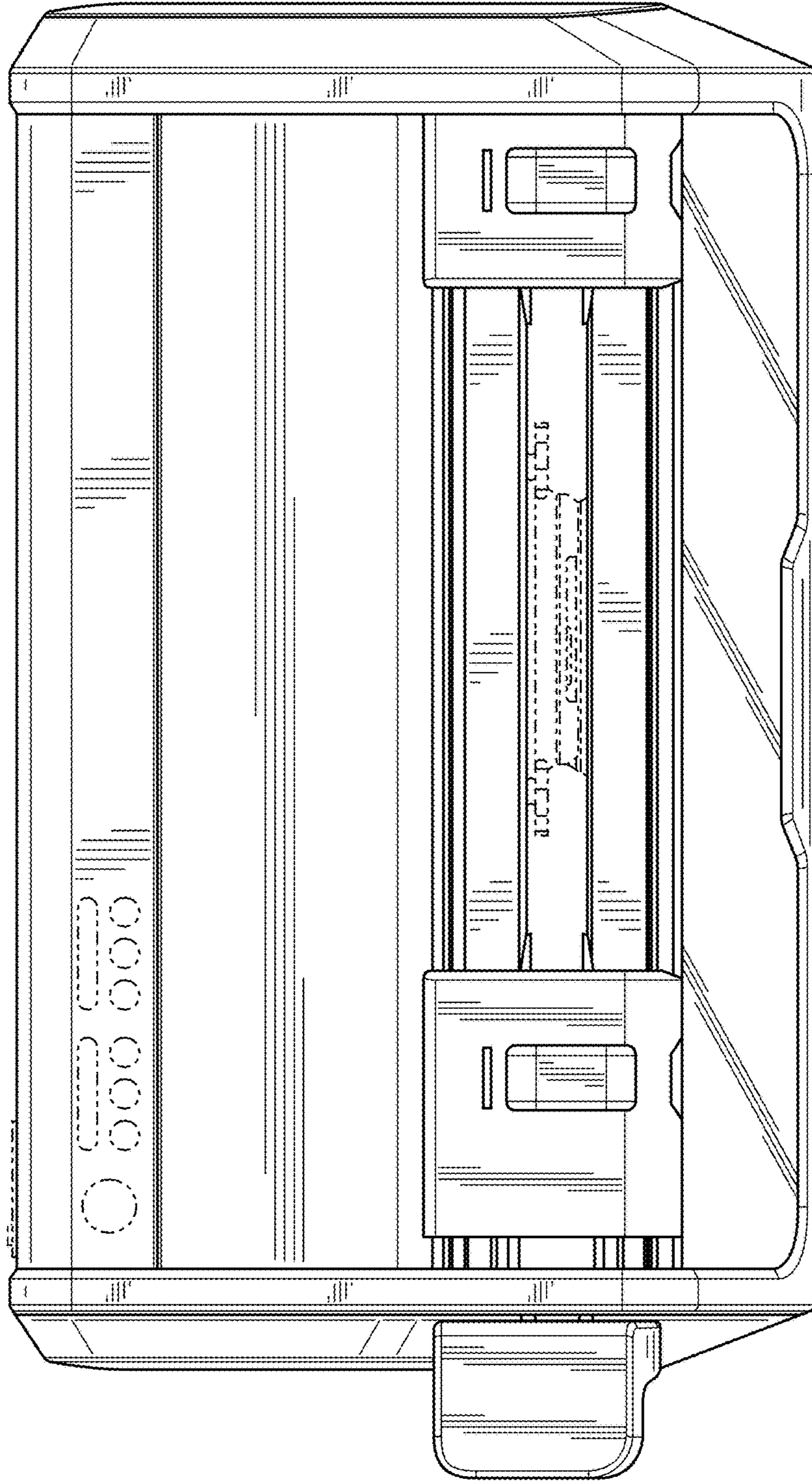


FIG. 6

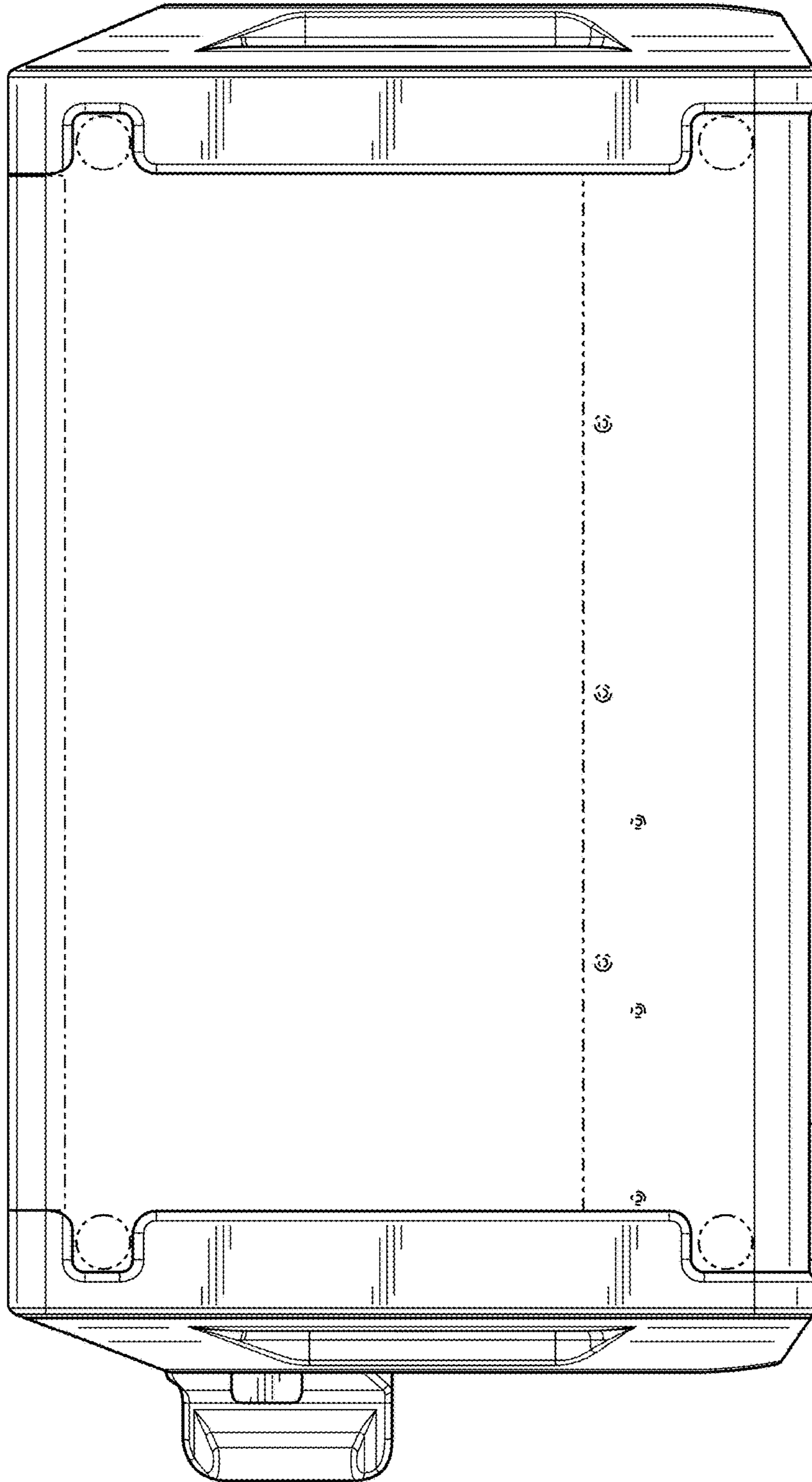


FIG. 7