



US00D793826S

(12) **United States Design Patent**
Sichien et al.

(10) **Patent No.:** **US D793,826 S**

(45) **Date of Patent:** **** Aug. 8, 2017**

(54) **CAULK GUN**

(71) Applicant: **Altachem N.V.**, Deinze (BE)

(72) Inventors: **Lieven Sichien**, Uitbergen (BE);
Jean-Marie Poppe, Heule (BE)

(73) Assignee: **Altachem NV**, Harelbeke (BE)

(**) Term: **15 Years**

(21) Appl. No.: **29/573,965**

(22) Filed: **Aug. 11, 2016**

(30) **Foreign Application Priority Data**

Jun. 16, 2016 (EM) 003225671-0001

(51) **LOC (10) Cl.** **08-05**

(52) **U.S. Cl.**

USPC **D8/14.1**

(58) **Field of Classification Search**

USPC D8/14, 14.1, 51, 68

CPC B05C 1/00; B05C 17/00; B05C 17/01;

B05C 17/0016; B05C 17/0123;

B05C 21/00

See application file for complete search history.

(56) **References Cited**

U.S. PATENT DOCUMENTS

4,802,607 A * 2/1989 Johnson B05C 17/01

222/326

D349,438 S * 8/1994 Owens D8/14.1

D411,077 S * 6/1999 Kwok D7/395

D413,235 S * 8/1999 Hwang D8/14.1

D505,306 S * 5/2005 Gaddy D8/14.1

D640,517 S * 6/2011 Rumrill D8/14.1

D654,768 S * 2/2012 Rumrill D8/14.1

D762,431 S * 8/2016 Lee B05C 17/0116

D8/14.1

* cited by examiner

Primary Examiner — Phillip S Hyder

(74) *Attorney, Agent, or Firm* — Collard & Roe, P.C.

(57) **CLAIM**

The ornamental design for a caulk gun, as shown and described.

DESCRIPTION

FIG. 1 is a left side and front perspective view of a caulk gun, showing our new design;

FIG. 2 is a right side view thereof;

FIG. 3 is a left side view thereof;

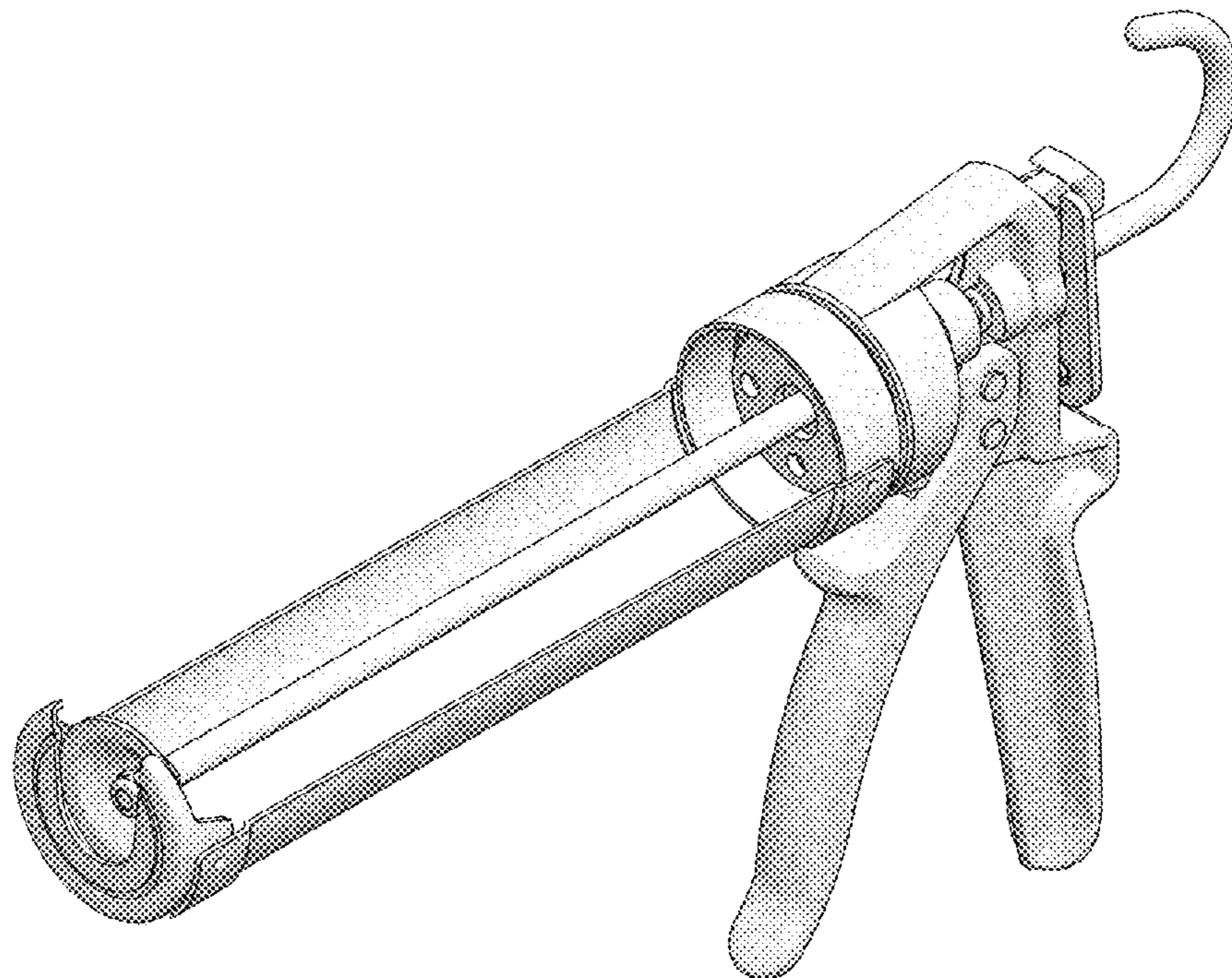
FIG. 4 is a top view thereof;

FIG. 5 is a bottom view thereof;

FIG. 6 is a rear view thereof; and,

FIG. 7 is a front view thereof.

1 Claim, 7 Drawing Sheets



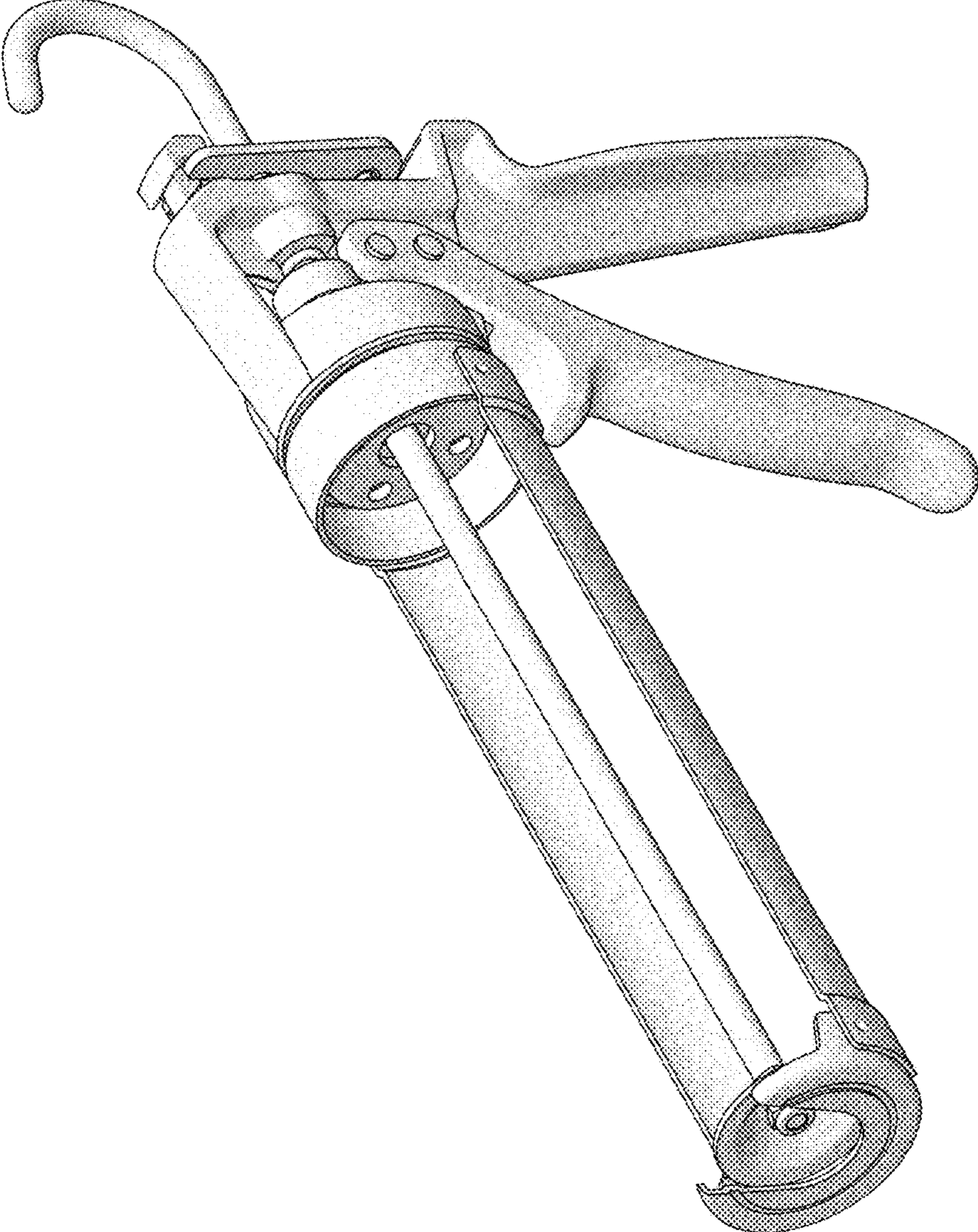


FIG. 1

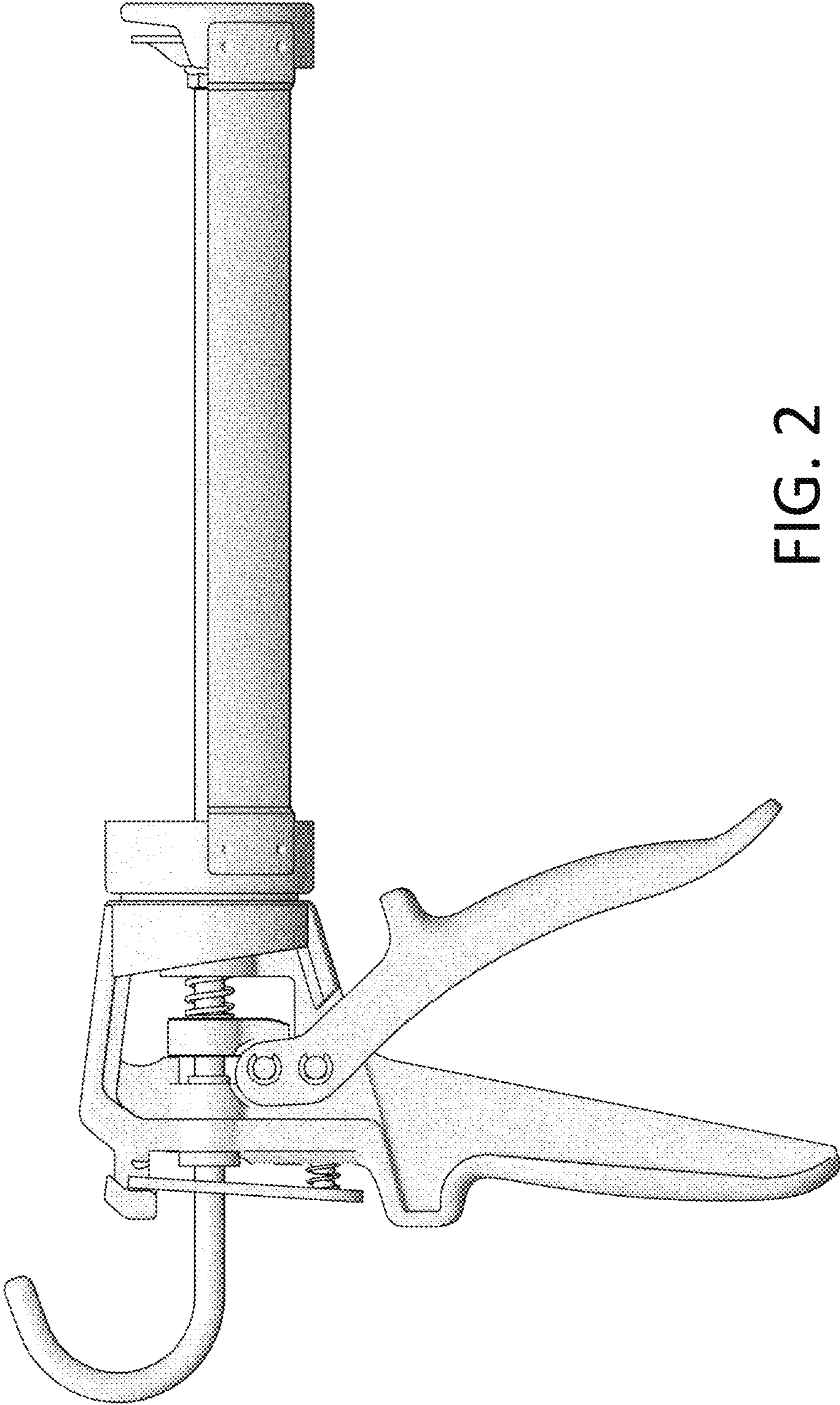


FIG. 2

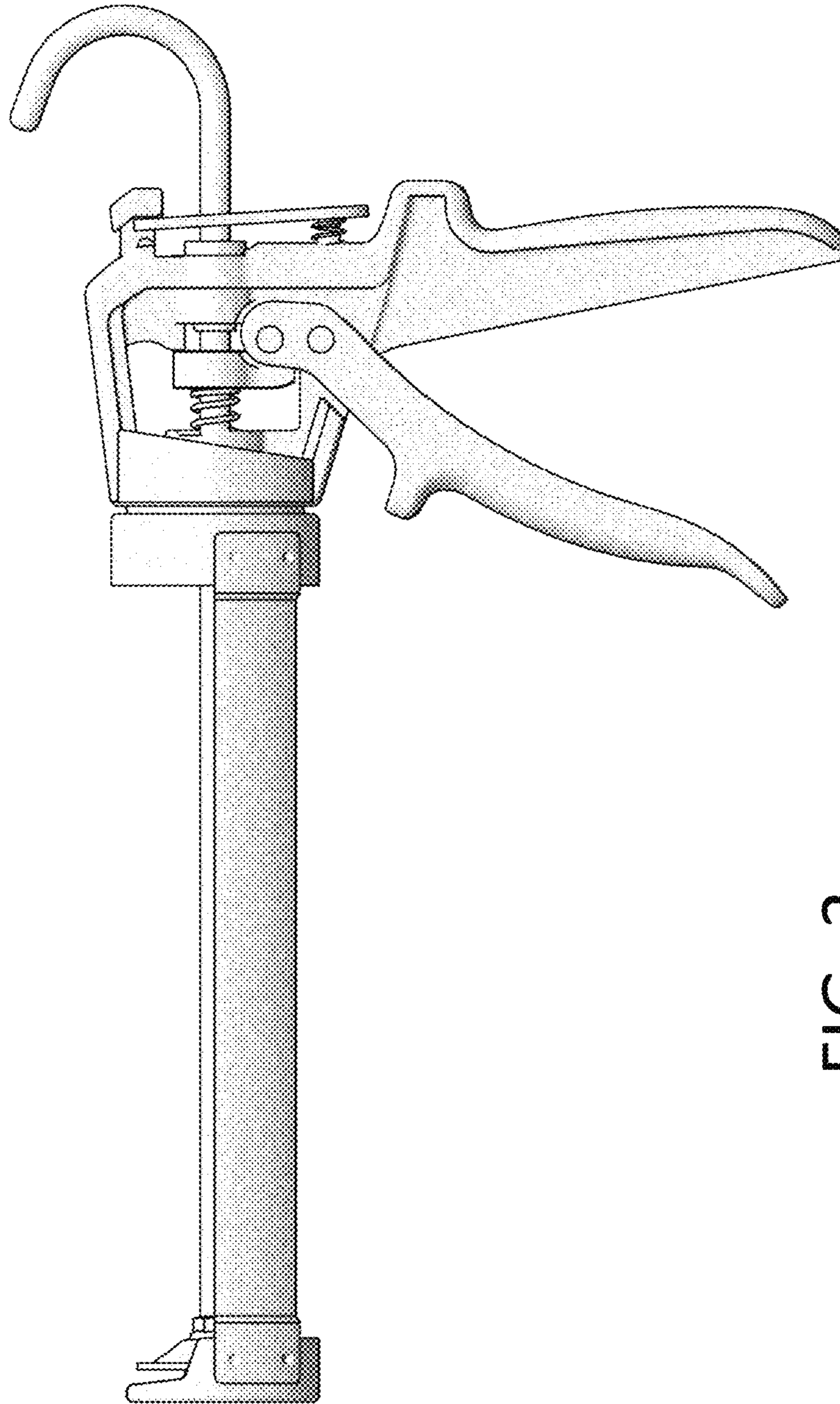


FIG. 3

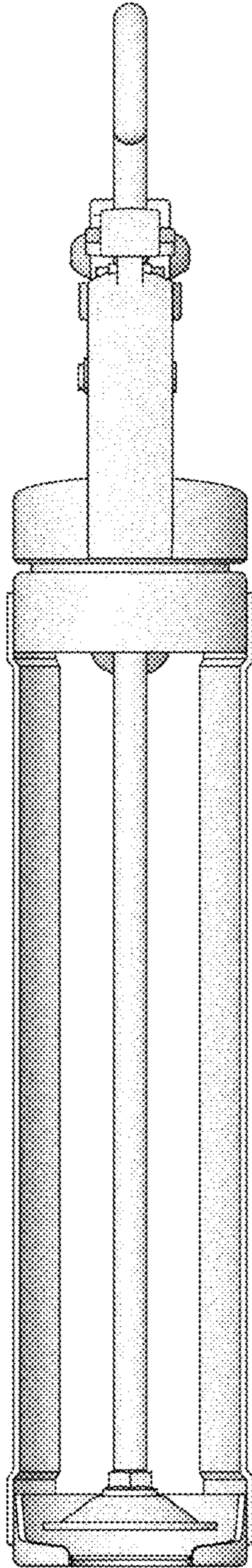


FIG. 4

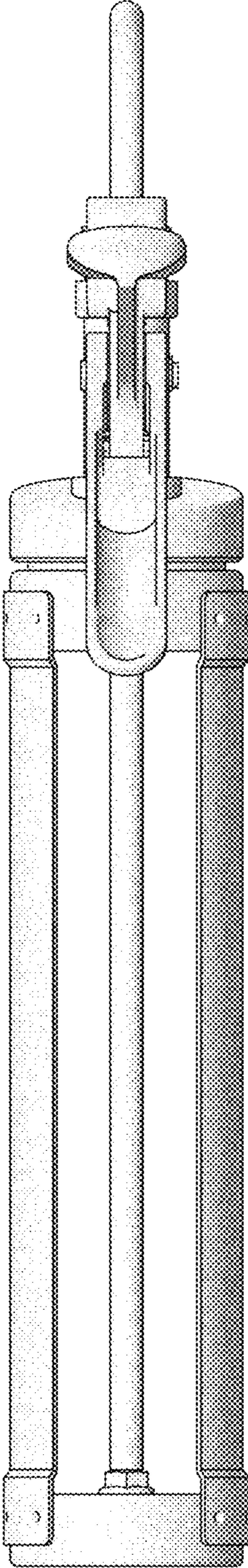


FIG. 5

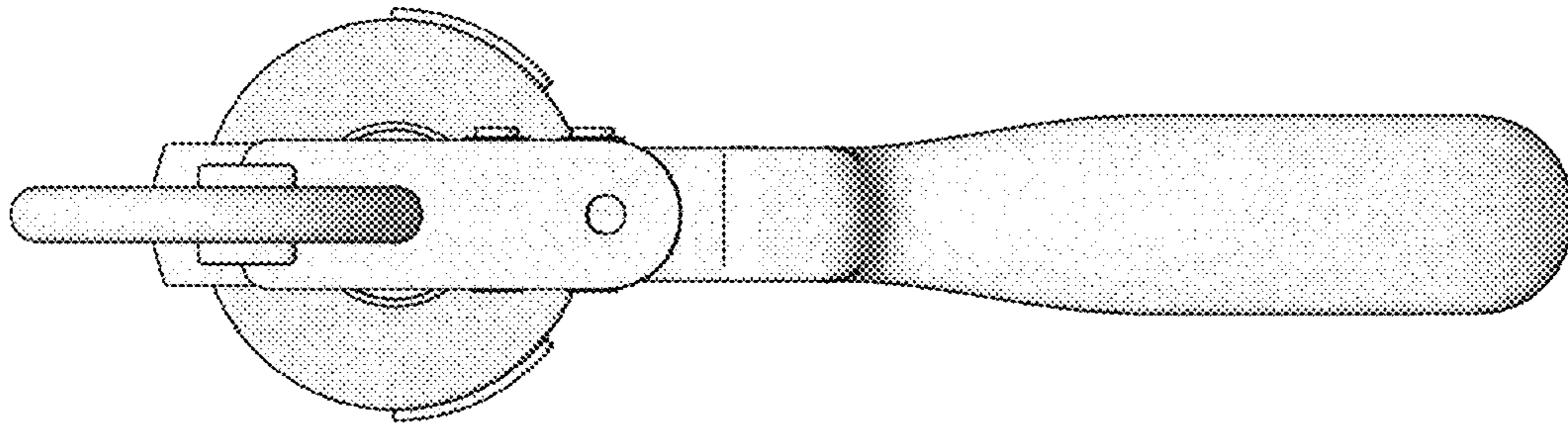


FIG. 6

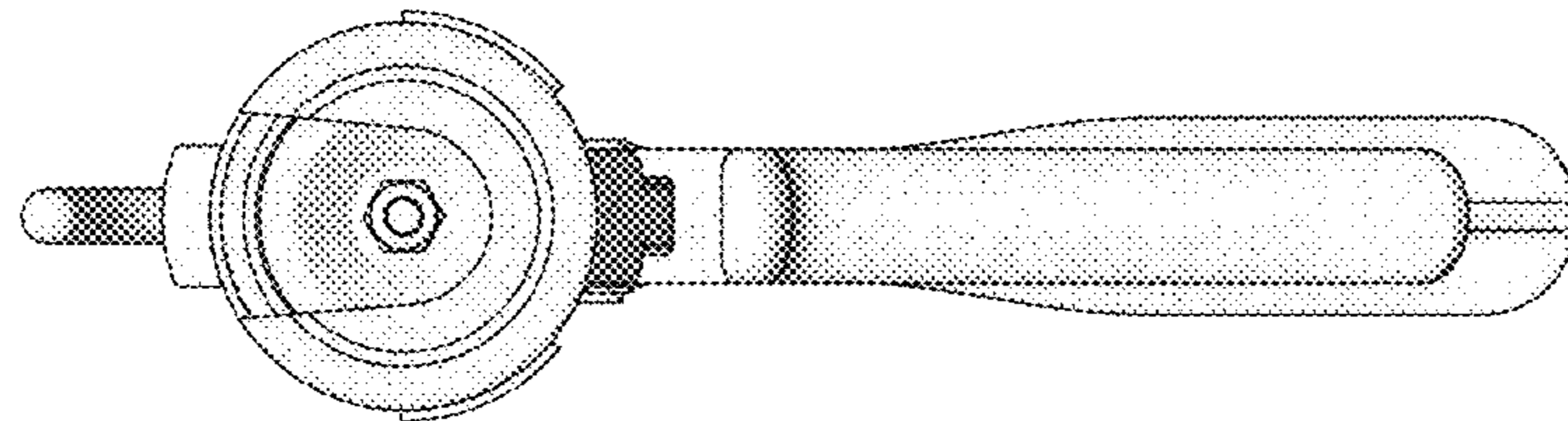


FIG. 7