



US00D793819S

(12) **United States Design Patent** (10) **Patent No.:** **US D793,819 S**
Rozek (45) **Date of Patent:** **** Aug. 8, 2017**

- (54) **DISPENSER** 3,995,582 A 12/1976 Douglas
- 4,793,539 A 12/1988 Haenni et al.
- (71) Applicant: **Georgia-Pacific Consumer Products LP, Atlanta, GA (US)** D348,379 S * 7/1994 Parella D7/631
- 5,325,992 A 7/1994 Koller et al.
- 5,439,521 A 8/1995 Rao
- (72) Inventor: **Roy J. Rozek, Neenah, WI (US)** D405,655 S * 2/1999 Michaeli D7/631
- 6,257,443 B1 * 7/2001 LaCount A47K 10/427 221/35
- (73) Assignee: **GEORGIA-PACIFIC CONSUMER PRODUCTS LP, Atlanta, GA (US)** D550,517 S * 9/2007 Neveu D7/631
- D590,213 S * 4/2009 Young D7/631
- D648,187 S * 11/2011 Kuehneman D7/631
- (**) Term: **15 Years** 8,181,899 B2 5/2012 Marietta-Tondin et al.
- D705,015 S * 5/2014 Wilson, Jr. D7/631
- 8,899,508 B2 12/2014 Hjort et al.
- (21) Appl. No.: **29/552,738** 8,899,509 B2 12/2014 Hjort et al.

(Continued)

- (22) Filed: **Jan. 26, 2016**
- (51) **LOC (10) Cl.** **07-06**
- (52) **U.S. Cl.**
- USPC **D7/631**
- (58) **Field of Classification Search**
- USPC D3/306; D6/566-574; D7/631, D7/637-641; D19/75, 81-86, 90, 92; 211/41.4, 70.7, 85.31, 90.03, 106, 126.8, 211/126.9, 133.2, 133.5; 220/485-488, 220/491; 248/37.3, 37.6, 153, 175
- CPC . A47B 88/00; A47B 88/20; A47F 7/00; A47F 7/14; A47G 21/00; A47G 21/16; B65D 1/34; B65D 1/36; B65D 21/046; B65D 21/048; G09F 1/14
- See application file for complete search history.

FOREIGN PATENT DOCUMENTS

- WO 2015088398 A1 6/2015
- WO 2015088399 A1 6/2015
- WO 2016029964 A1 3/2016

Primary Examiner — Ian Simmons

Assistant Examiner — Janice Lim

(57) **CLAIM**

The ornamental design for a dispenser, as shown and described.

DESCRIPTION

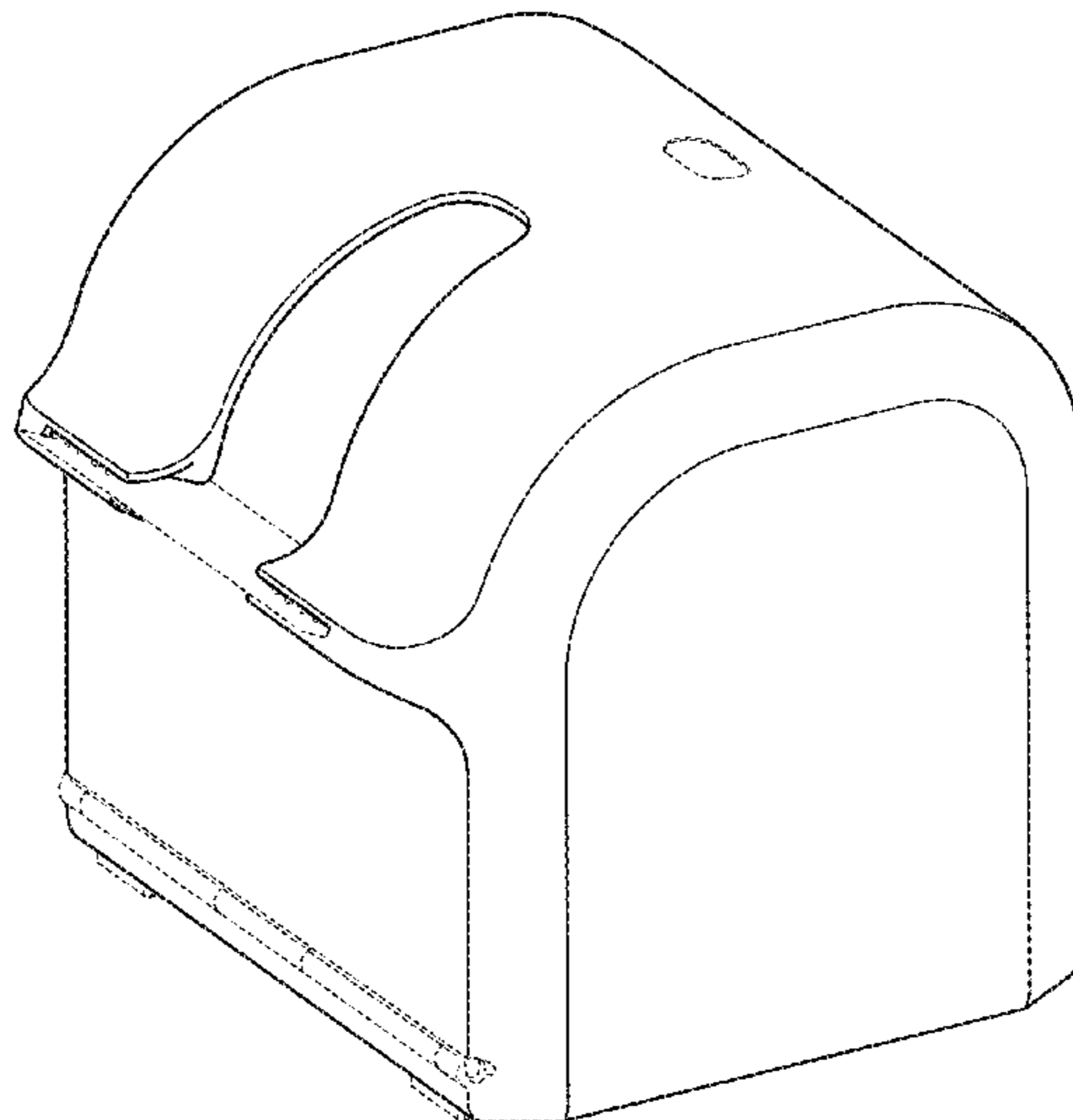
FIG. 1 is a perspective view of a dispenser, showing my new design;
 FIG. 2 is a front view thereof;
 FIG. 3 is a rear view thereof;
 FIG. 4 is a top plan view thereof;
 FIG. 5 is a bottom plan view thereof;
 FIG. 6 is a right side view thereof; and,
 FIG. 7 is a left side view thereof.
 The broken line portions show unclaimed subject matter only and form no part of the claimed design.

(56) **References Cited**

U.S. PATENT DOCUMENTS

- 1,540,876 A 6/1925 Dwyer
- 1,703,594 A * 2/1929 Pratt A47K 10/44 221/23
- 2,390,399 A 12/1945 Tator et al.
- 2,668,022 A 2/1954 Fairfield
- 2,852,158 A * 9/1958 Jones A47K 10/427 221/35
- 3,040,943 A 6/1962 Bump
- 3,592,161 A 7/1971 Hoffmann

1 Claim, 4 Drawing Sheets



(56)

References Cited

U.S. PATENT DOCUMENTS

2005/0150898 A1* 7/2005 Young B65D 83/0811
221/53

* cited by examiner

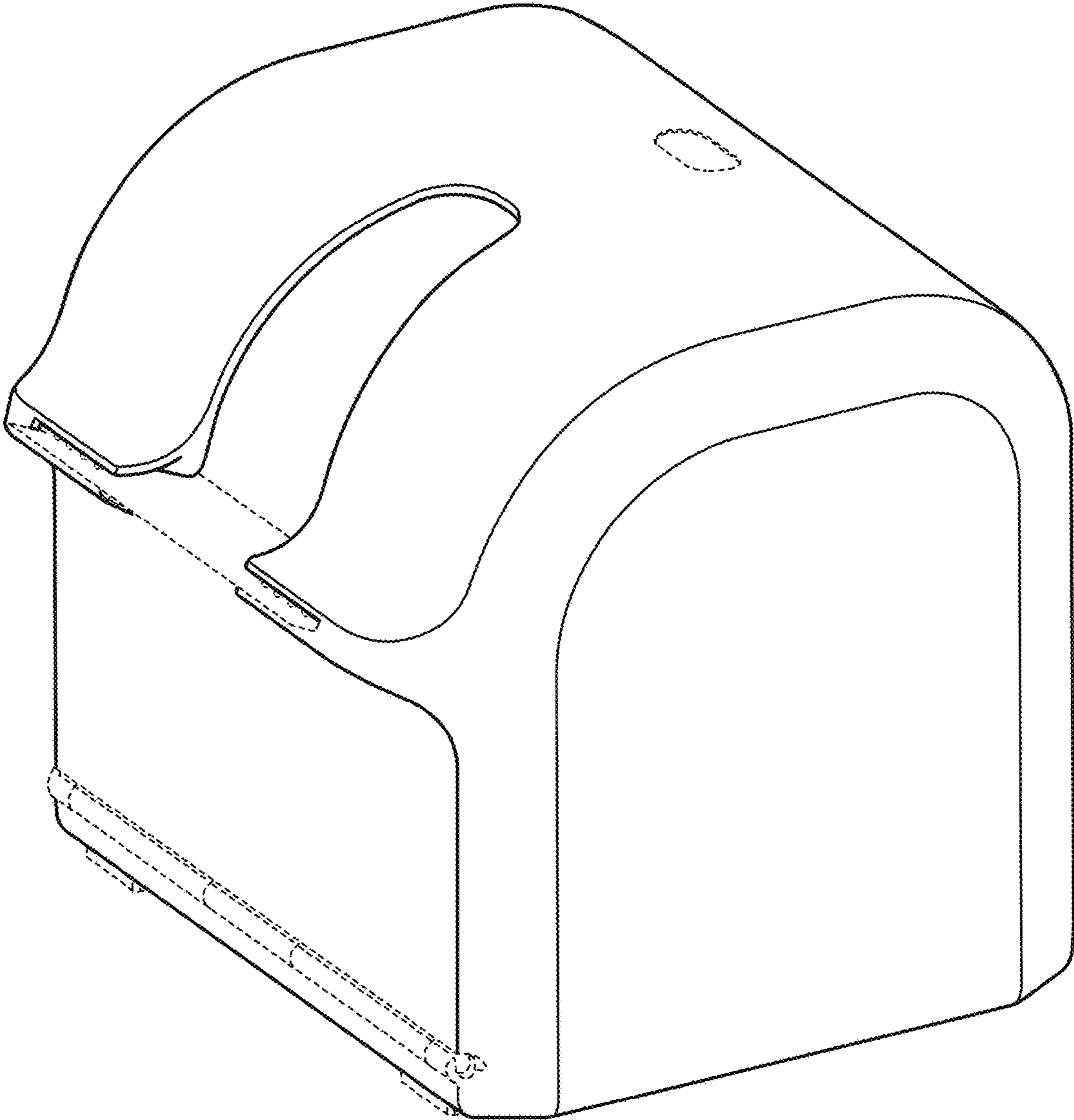


FIG. 1

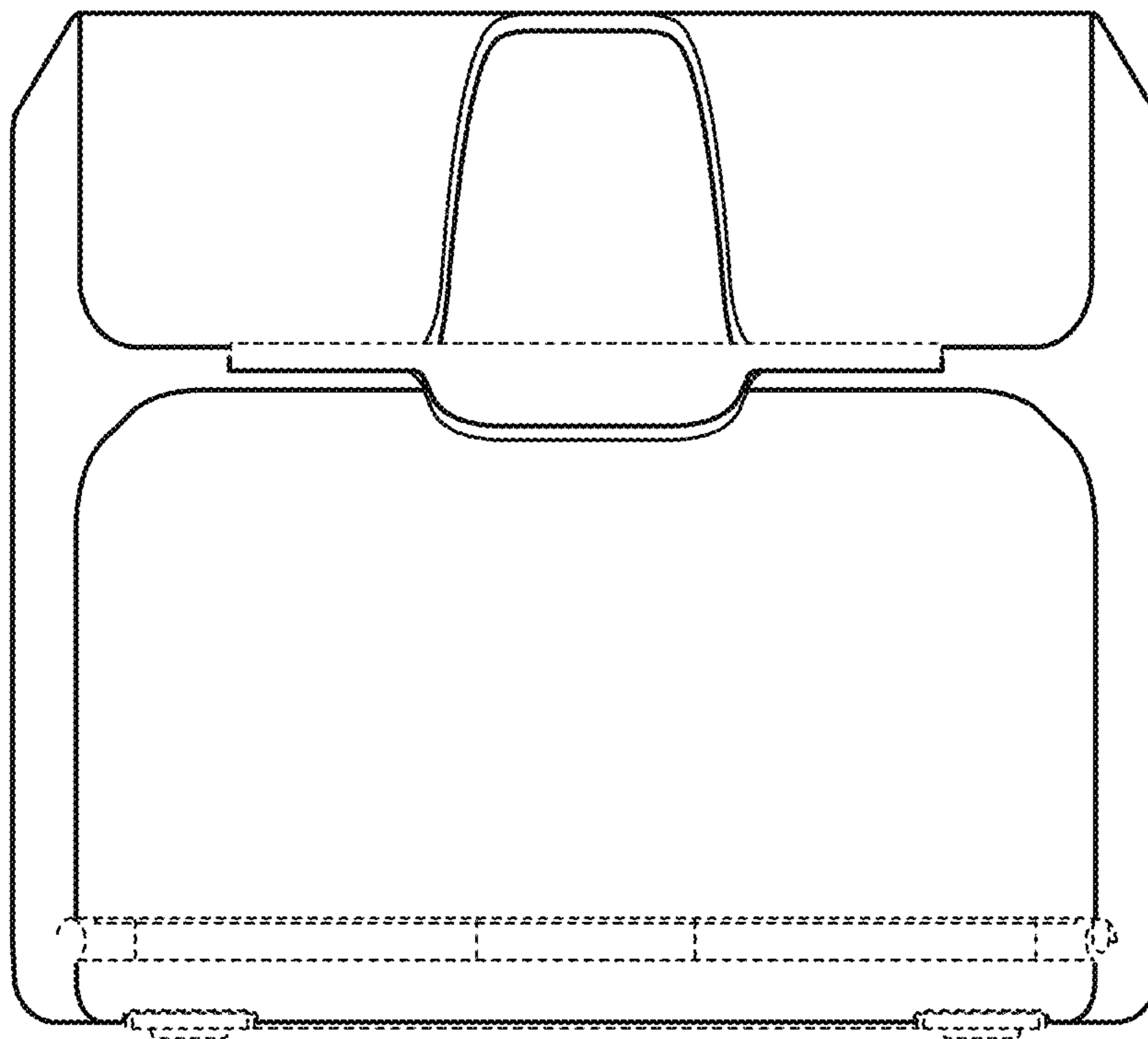


FIG. 2

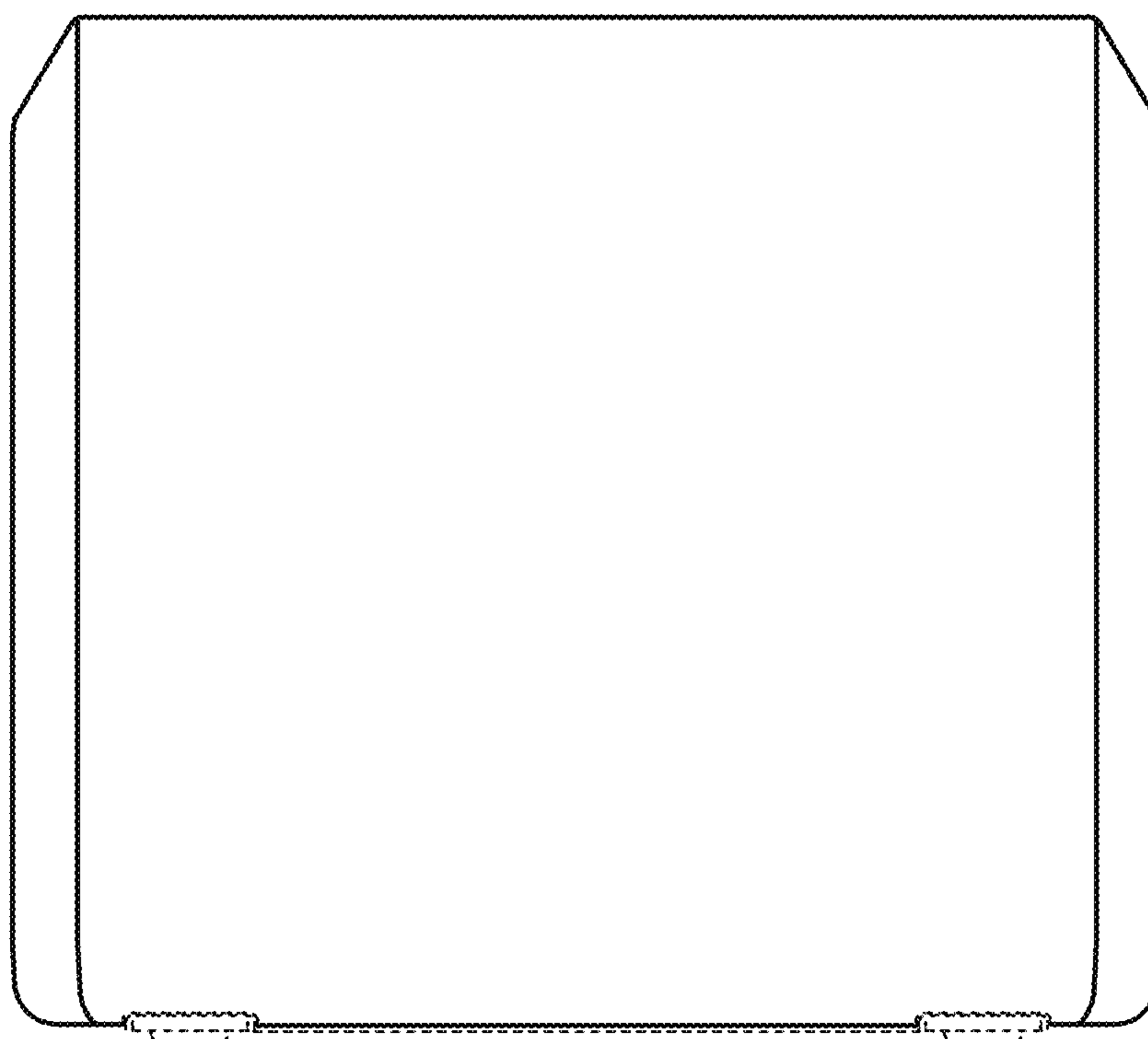


FIG. 3

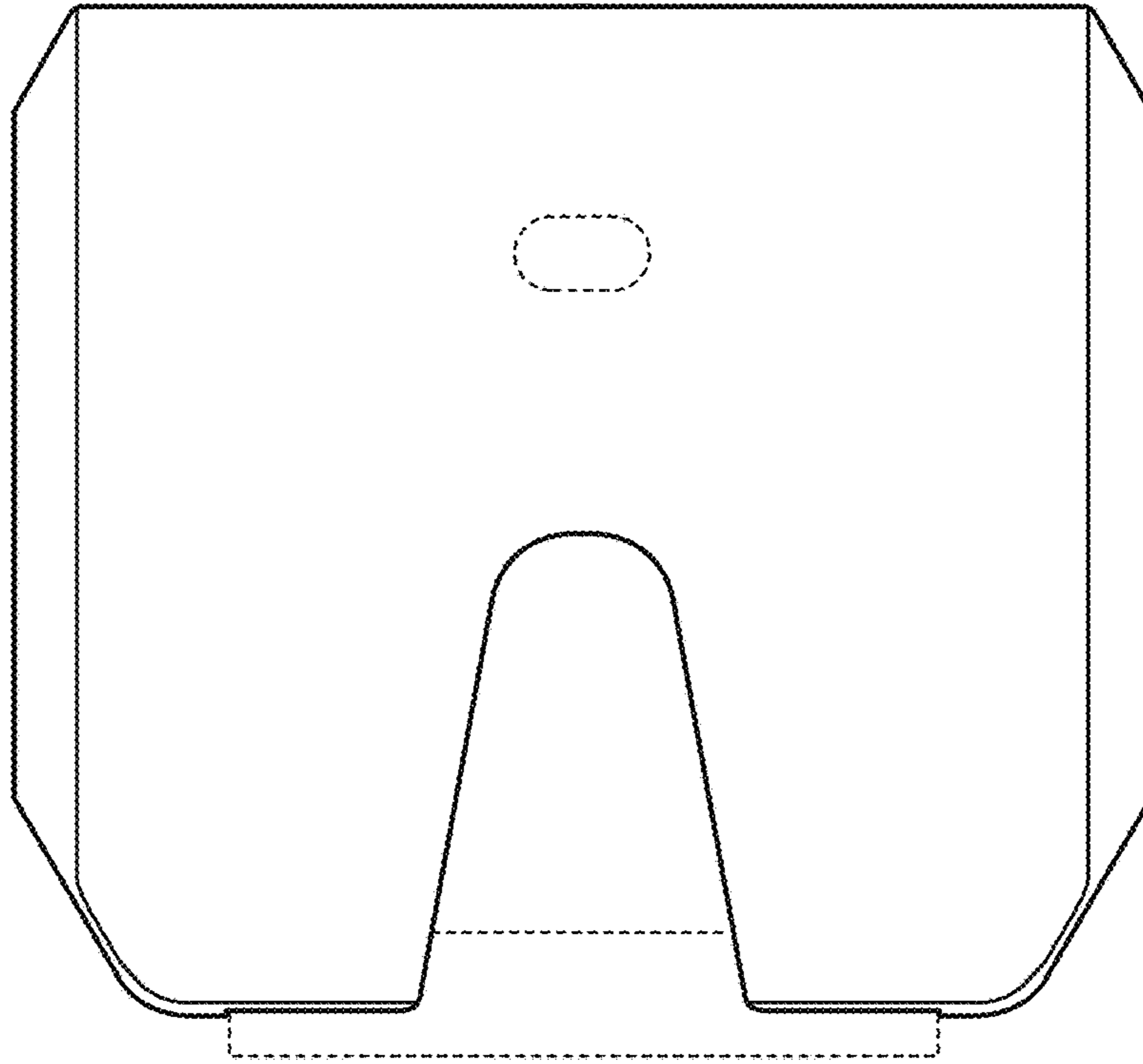


FIG. 4

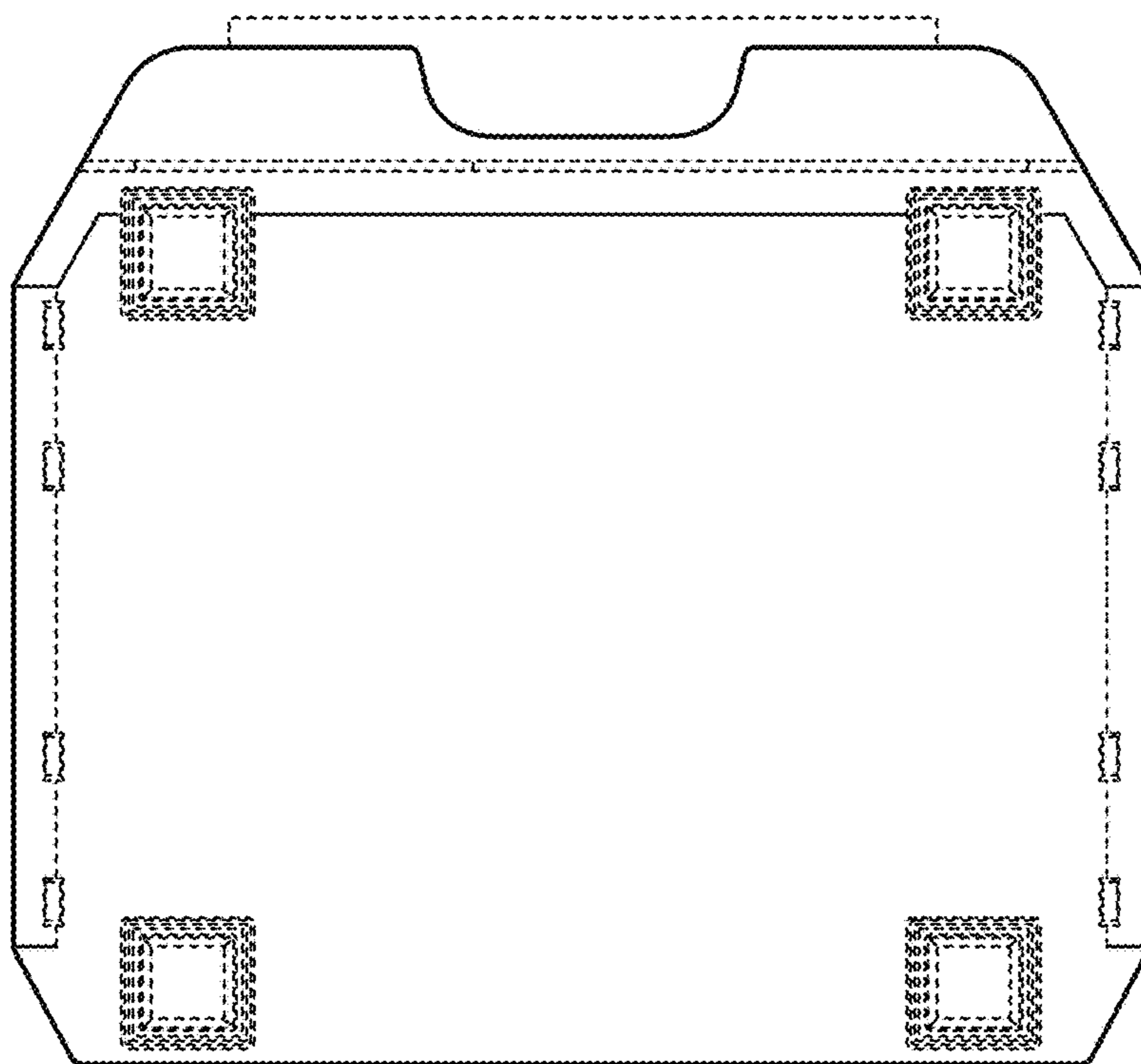


FIG. 5

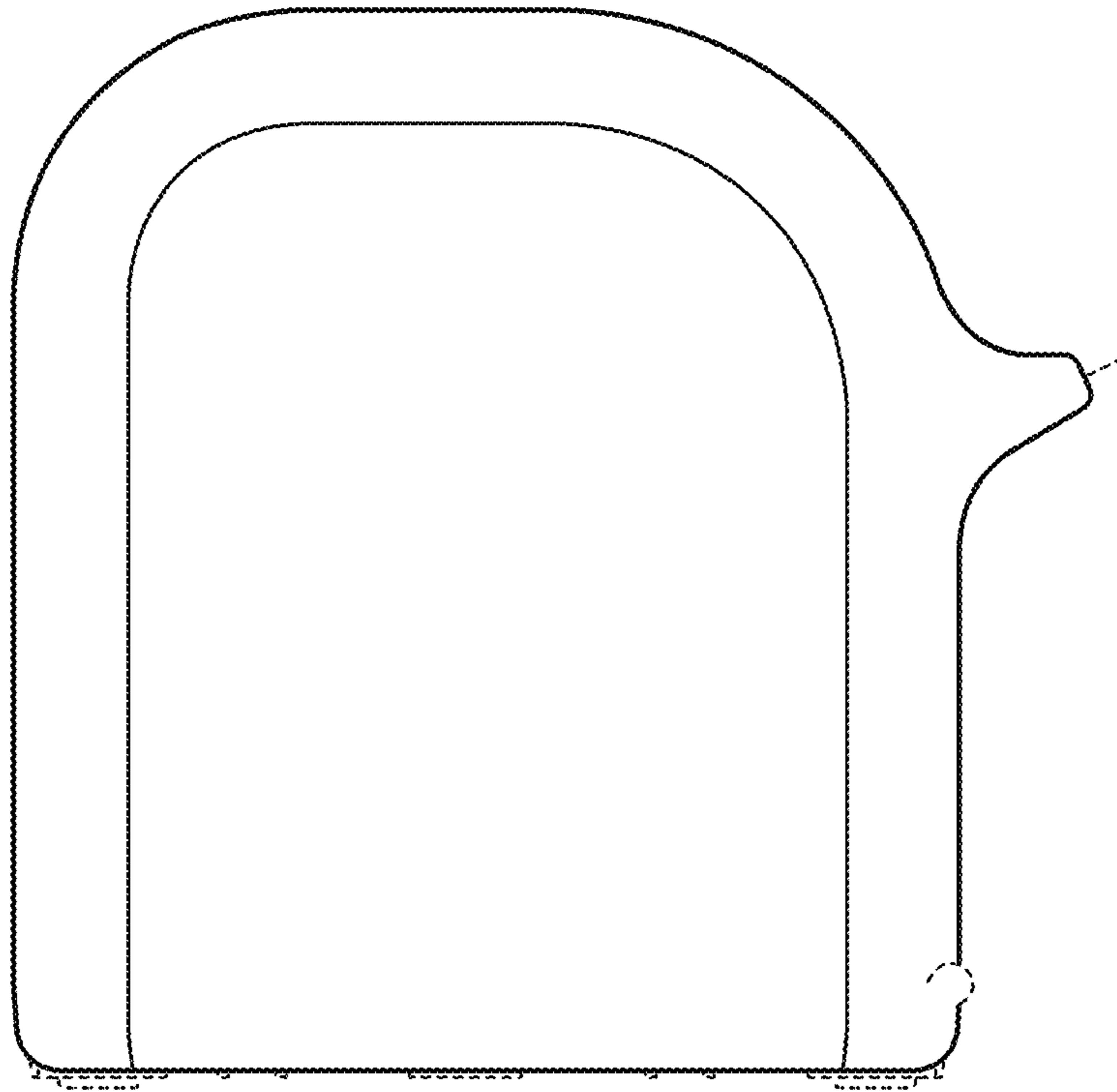


FIG. 6

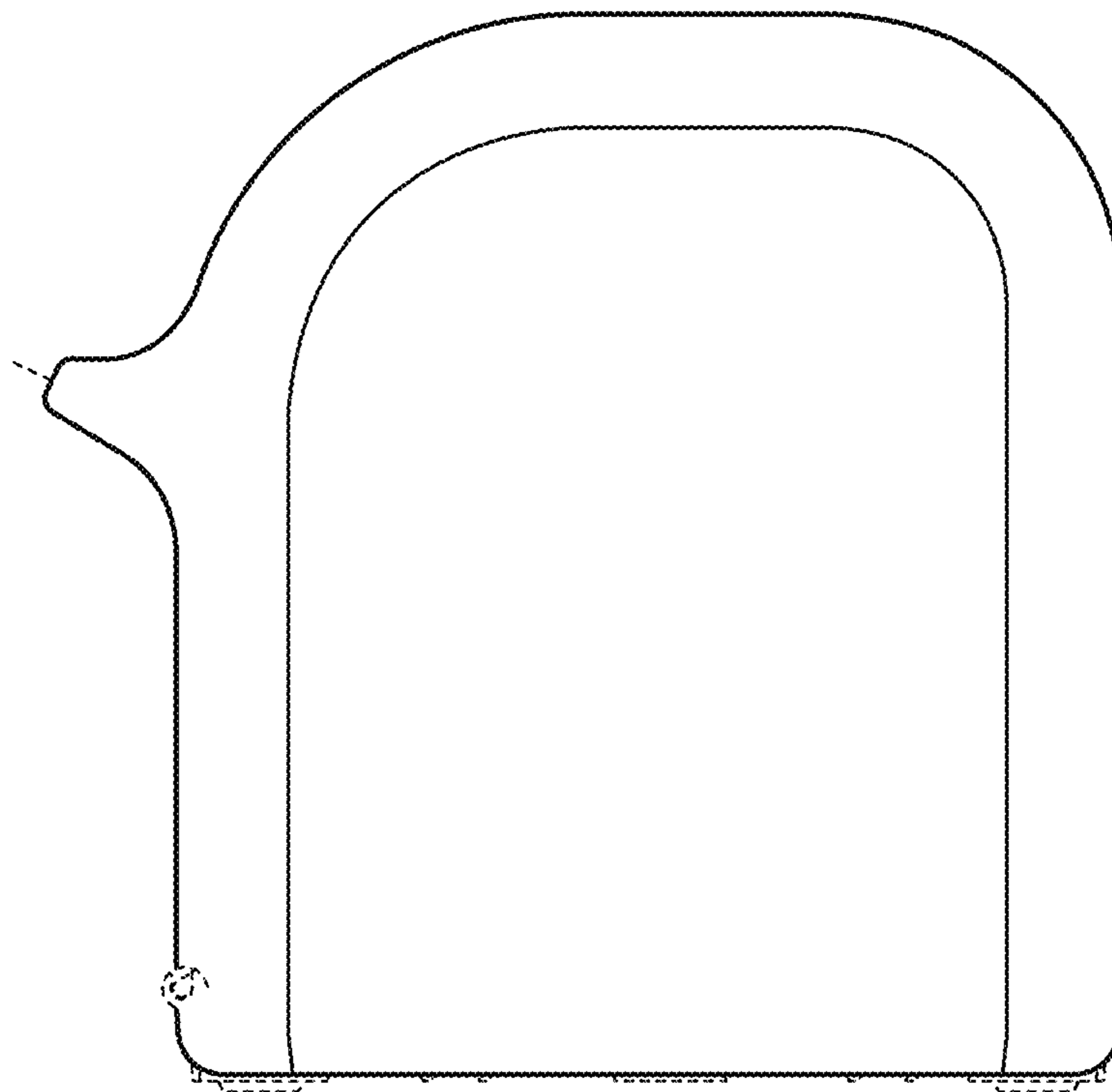


FIG. 7