



US00D793817S

(12) **United States Design Patent**
Chen et al.

(10) **Patent No.:** **US D793,817 S**

(45) **Date of Patent:** **** Aug. 8, 2017**

(54) **PAPER FOOD CONTAINER**

(71) Applicants: **Jung-Chih Chen**, Pingtung (TW);
Yung-Yuan Chu, Taichung (TW)

(72) Inventors: **Jung-Chih Chen**, Pingtung (TW);
Yung-Yuan Chu, Taichung (TW)

(**) Term: **14 Years**

(21) Appl. No.: **29/522,669**

(22) Filed: **Apr. 1, 2015**

(51) **LOC (10) Cl.** **07-01**

(52) **U.S. Cl.**
USPC **D7/602**; D9/432

(58) **Field of Classification Search**
USPC D9/414-418, 420-427, 430-434, 456;
D3/272, 273, 276, 281, 282, 302,
D3/304-309, 315; D7/601, 602
CPC B65D 5/00-5/02; B65D 5/0209-5/0272;
B65D 5/029; B65D 5/40; B65D 5/72;
B65D 5/727; B65D 31/10-31/18; B65D
35/04; B65D 35/56
See application file for complete search history.

(56) **References Cited**

U.S. PATENT DOCUMENTS

- 4,183,435 A * 1/1980 Thompson B32B 5/18
206/557
- 4,265,390 A * 5/1981 Faller B65D 5/28
229/169
- D432,361 S * 10/2000 Jenkins D7/554.3
- D551,506 S * 9/2007 Friedland D7/543
- D551,508 S * 9/2007 Friedland D7/543
- D551,908 S * 10/2007 Friedland D7/500
- D584,945 S * 1/2009 Friedland D7/545
- D603,255 S * 11/2009 King D9/433
- D609,532 S * 2/2010 Koennecke D7/584
- D641,588 S * 7/2011 Cole D7/396.1

- D653,496 S * 2/2012 Henry D7/354
- D687,679 S * 8/2013 Mikulka D7/553.2
- D695,106 S * 12/2013 Yang D9/425

(Continued)

Primary Examiner — Vy Koenig

(74) *Attorney, Agent, or Firm* — Muncy, Geissler, Olds & Lowe, P.C.

(57) **CLAIM**

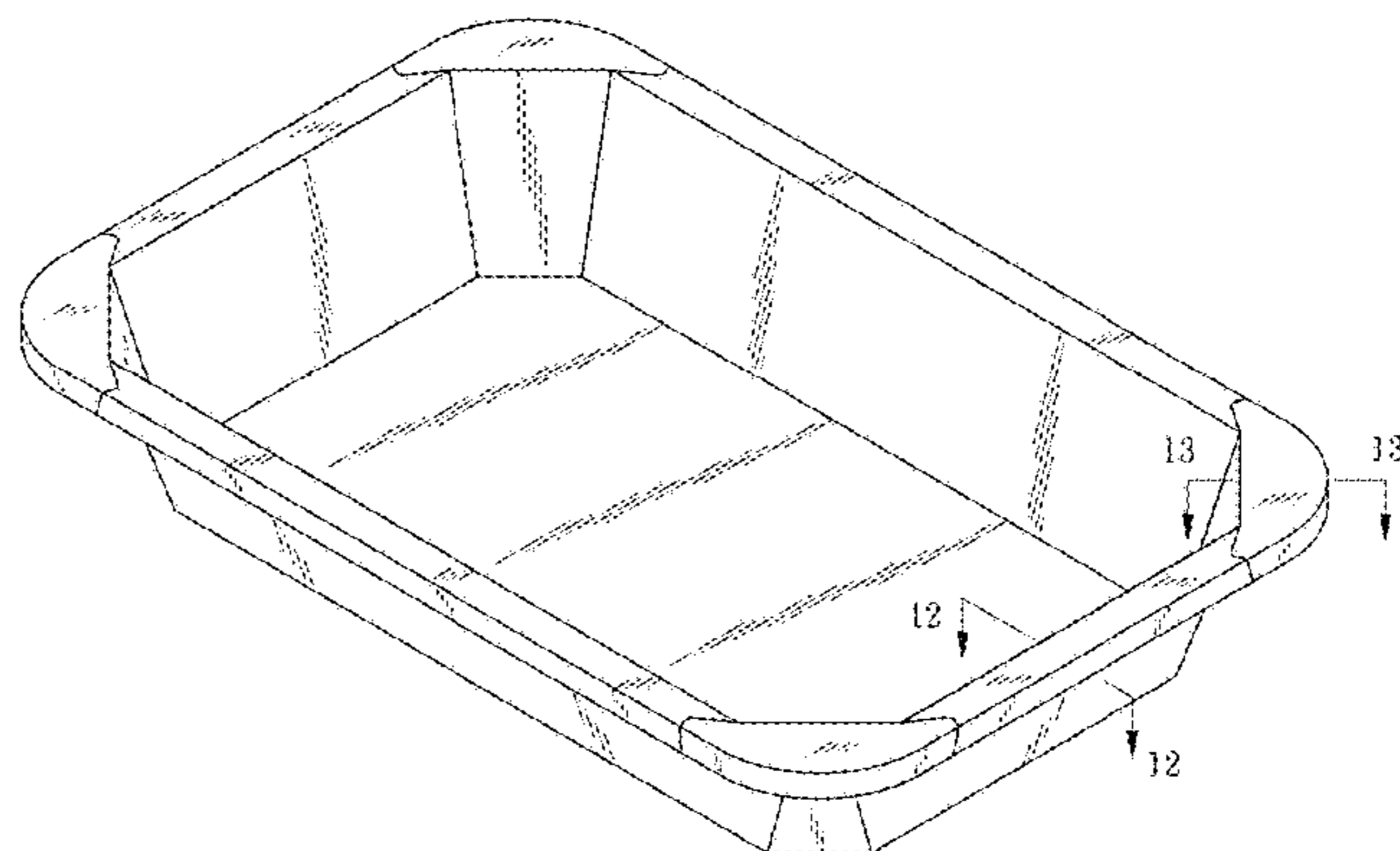
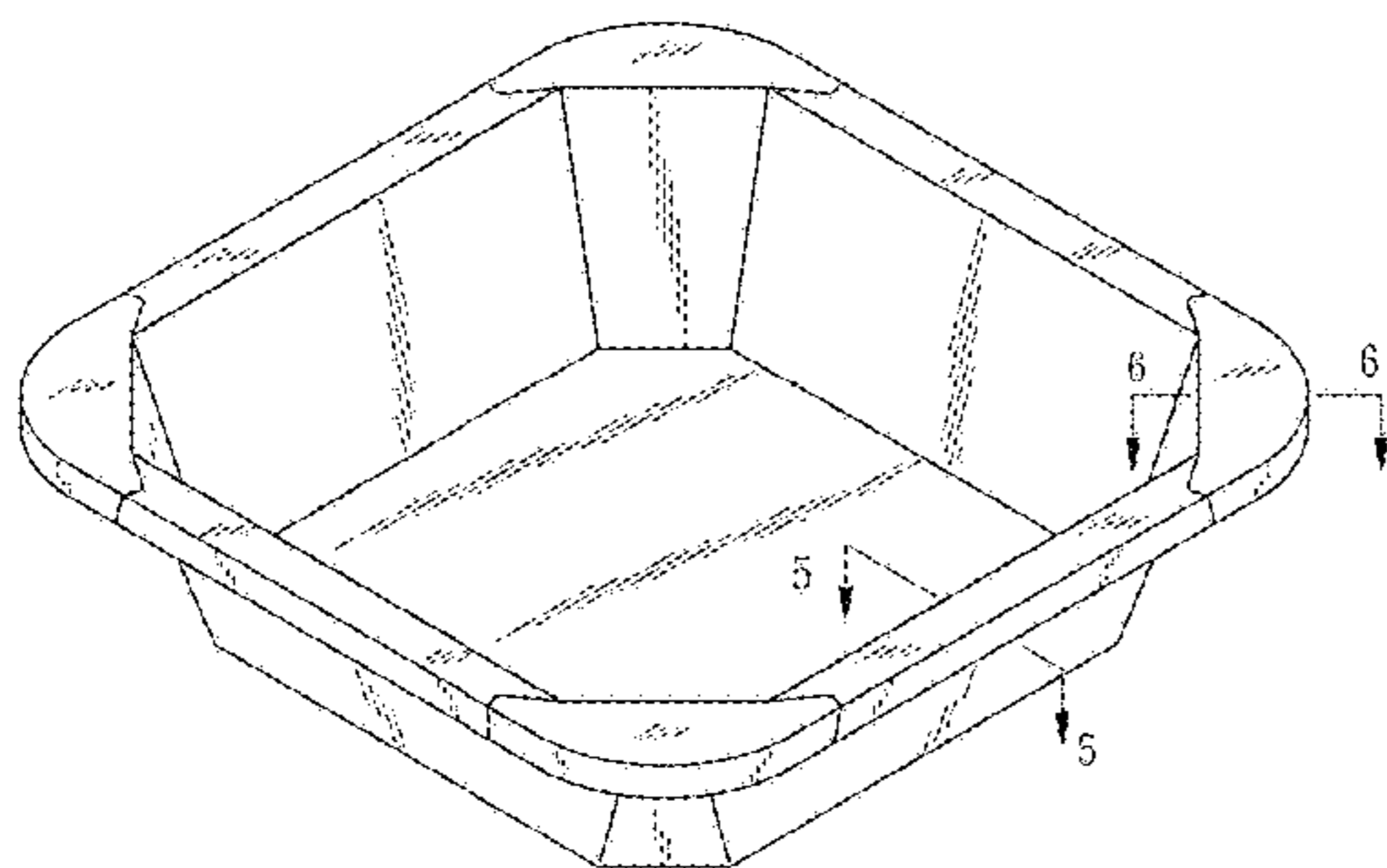
The ornamental design for a paper food container, as shown and described.

DESCRIPTION

FIG. 1 is a perspective view of a paper food container showing my new design, according to a first embodiment; FIG. 2 is a top plan view thereof; FIG. 3 is a bottom plan view thereof; FIG. 4 is a right side view thereof, the left side, front elevational and rear elevational views being identical thereto; FIG. 5 is an enlarged cross-sectional view taken along line 5-5 of FIG. 1; FIG. 6 is an enlarged cross-sectional view taken along line 6-6 of FIG. 1; FIG. 7 is a perspective view of a paper food container showing my new design, according to a second embodiment; FIG. 8 is a top plan view thereof; FIG. 9 is a bottom plan view thereof; FIG. 10 is a front elevational view thereof, the rear elevational view being identical thereto; FIG. 11 is a right side view thereof, the left side view being identical thereto; FIG. 12 is an enlarged cross-sectional view taken along line 12-12 of FIG. 7; and, FIG. 13 is an enlarged cross-sectional view taken along line 13-13 of FIG. 7.

The broken lines shown in FIGS. 3 and 9 depict portions of the paper food container that form no part of the claimed design.

1 Claim, 11 Drawing Sheets



(56)

References Cited

U.S. PATENT DOCUMENTS

8,684,260 B2 * 4/2014 White A47G 19/03
220/574
8,741,443 B2 * 6/2014 Hilbish B65D 1/34
428/34.2
8,858,858 B2 * 10/2014 Middleton B65D 81/3453
264/267
D738,718 S * 9/2015 Yang D9/425
D742,219 S * 11/2015 Murphy D9/426
D762,083 S * 7/2016 Librus D7/354
D767,940 S * 10/2016 Gross D7/554.3
2004/0262322 A1 * 12/2004 Middleton B29C 45/14336
220/675
2012/0279895 A1 * 11/2012 Middleton B29C 45/14336
206/557
2012/0312716 A1 * 12/2012 Mikulka B65D 65/466
206/557
2013/0019808 A1 * 1/2013 Lathim A01K 5/0135
119/51.01

* cited by examiner

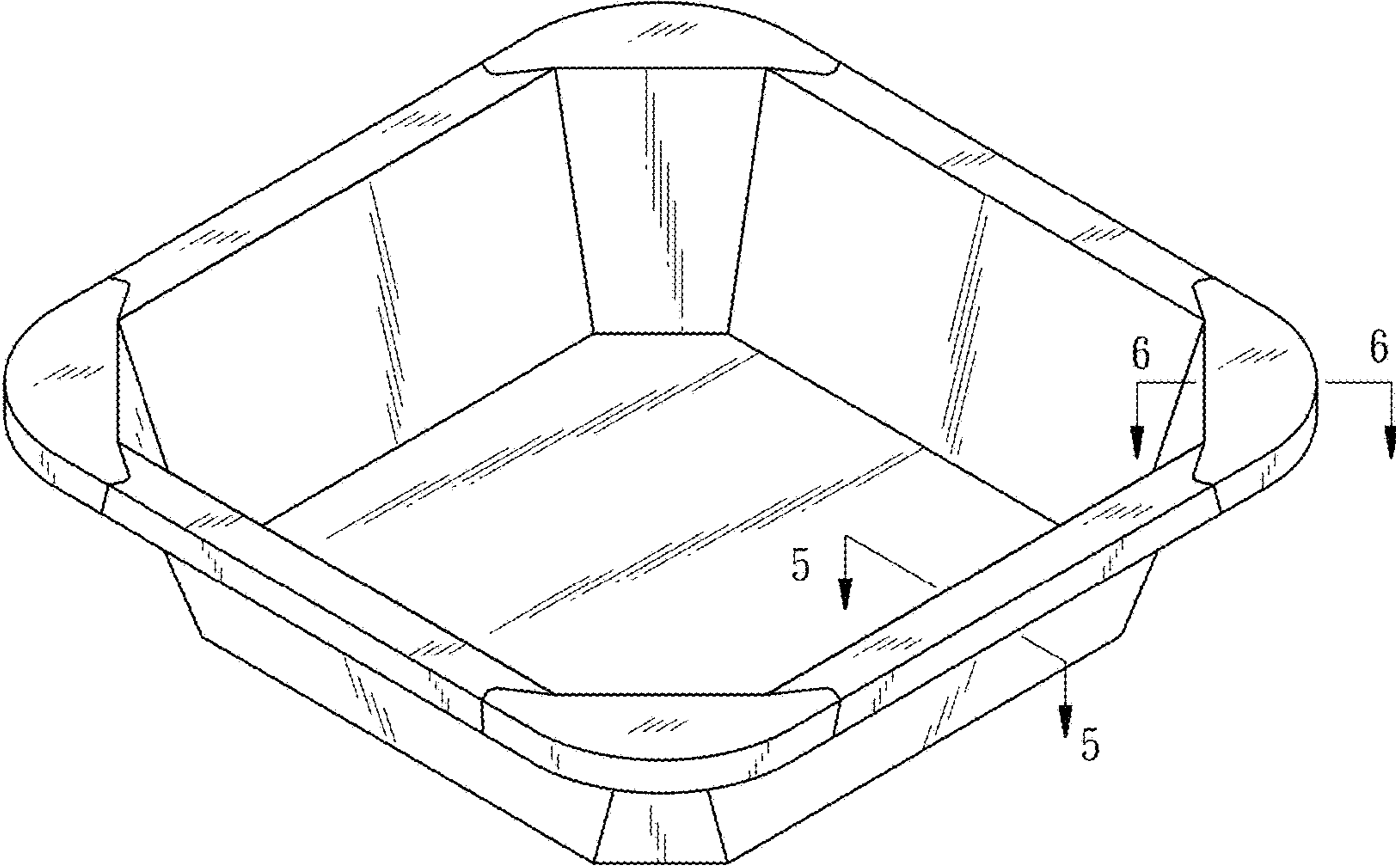


FIG. 1

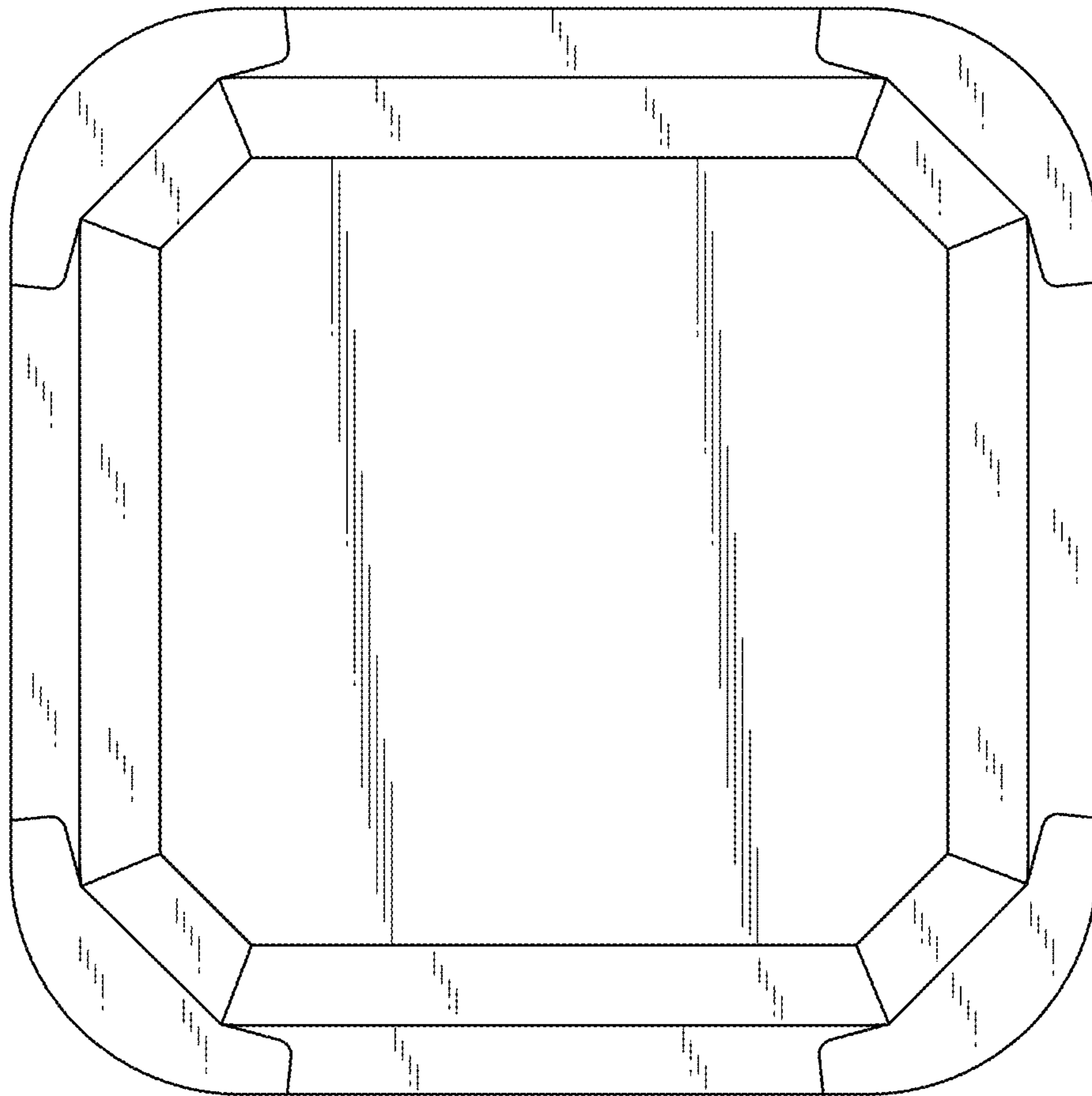


FIG. 2

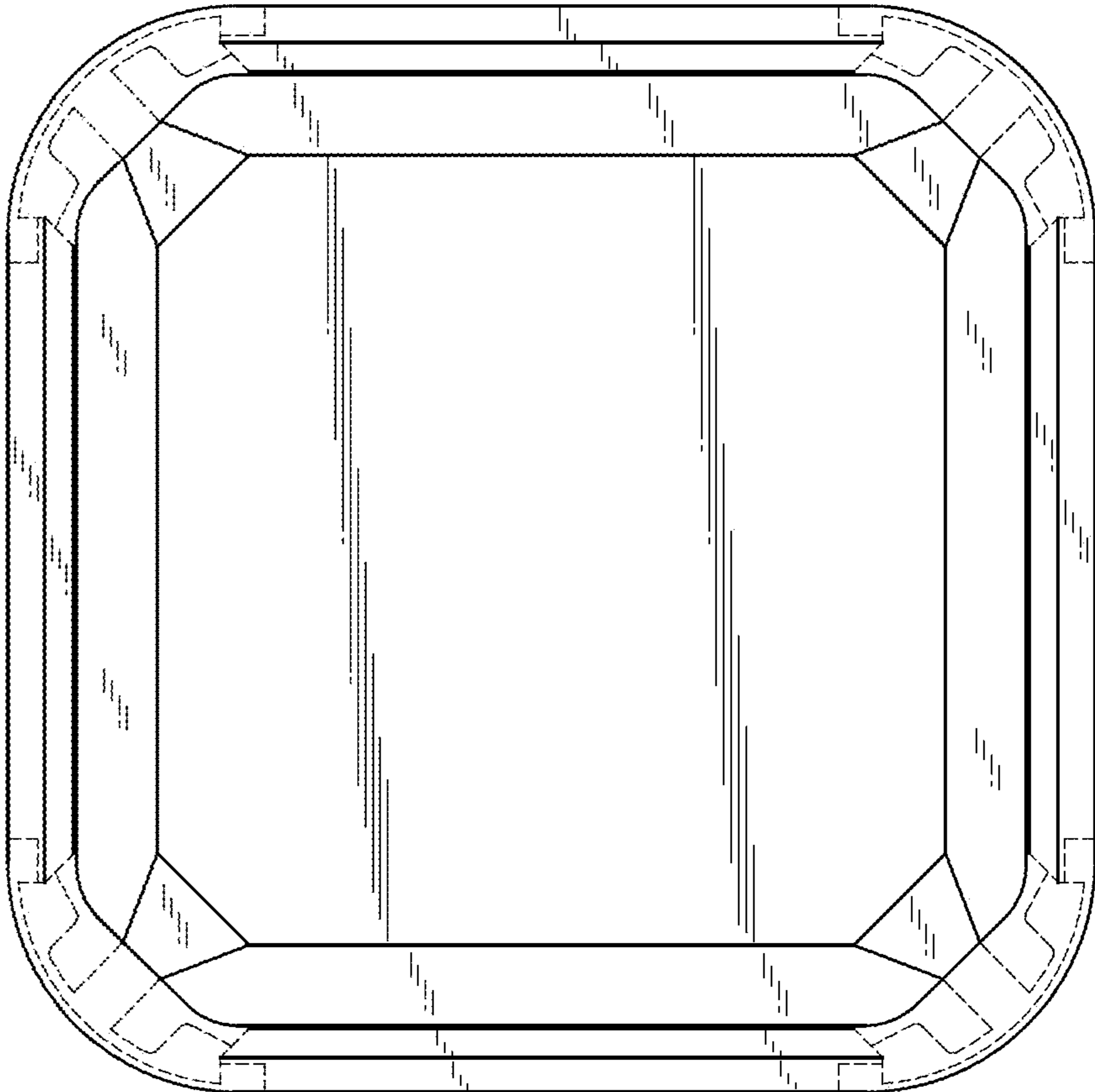


FIG. 3

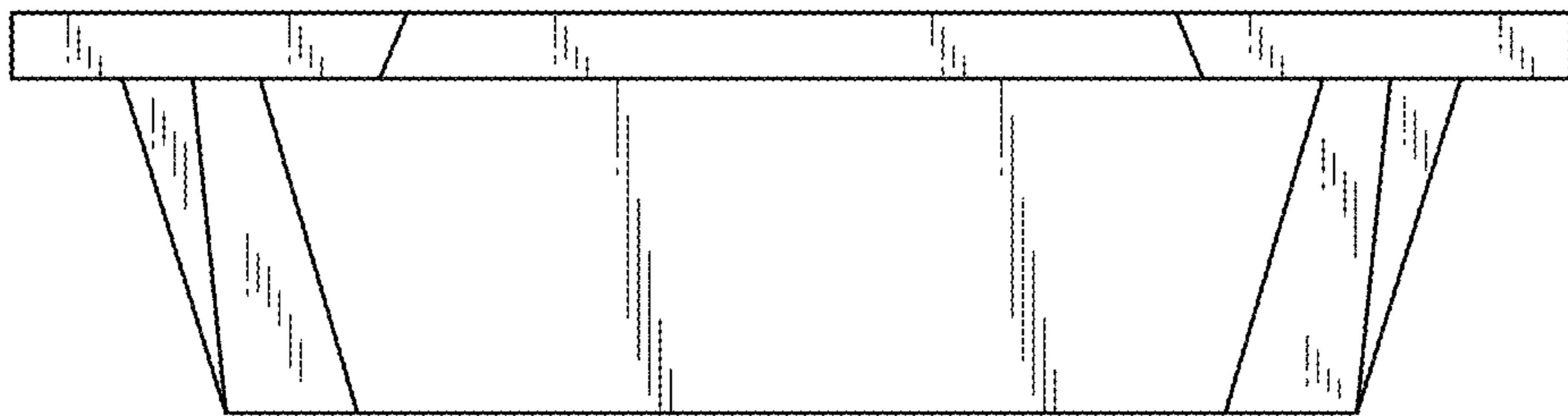


FIG. 4

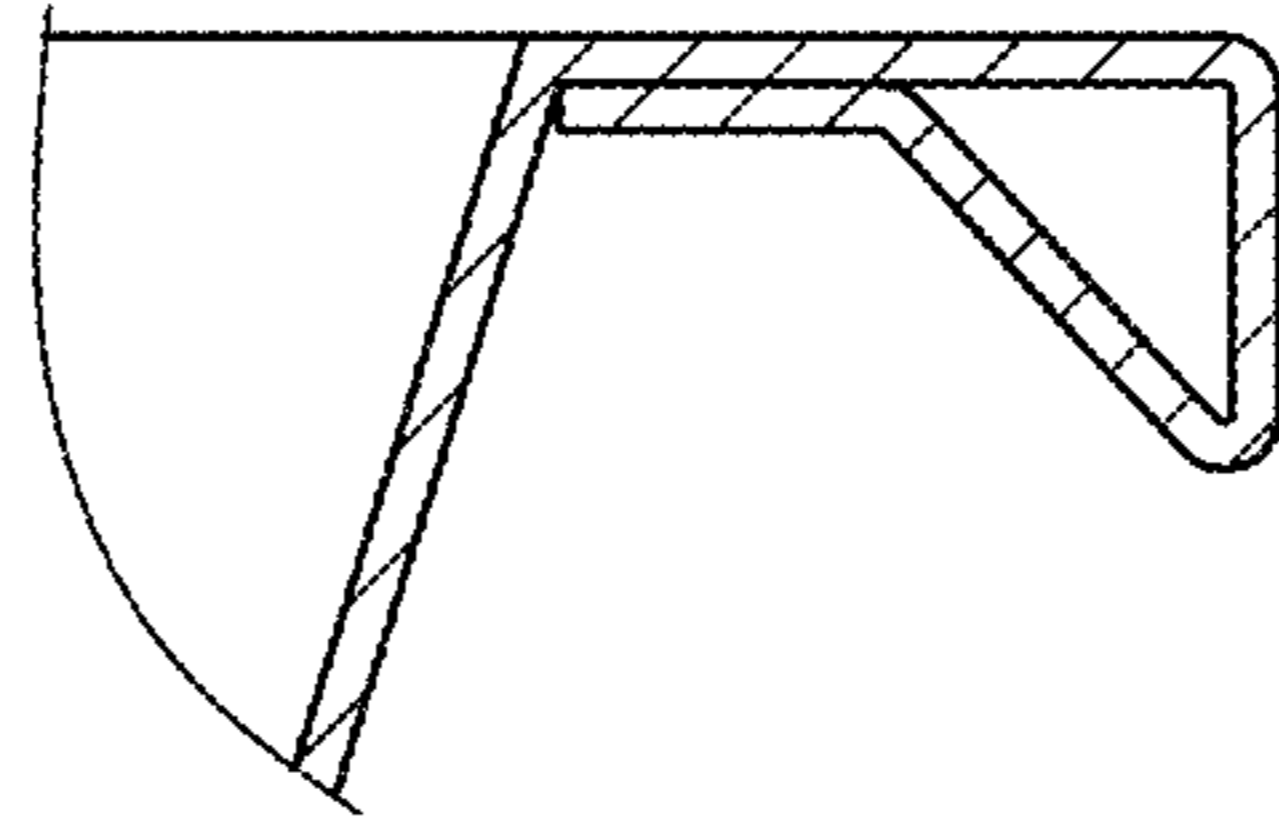


FIG. 5

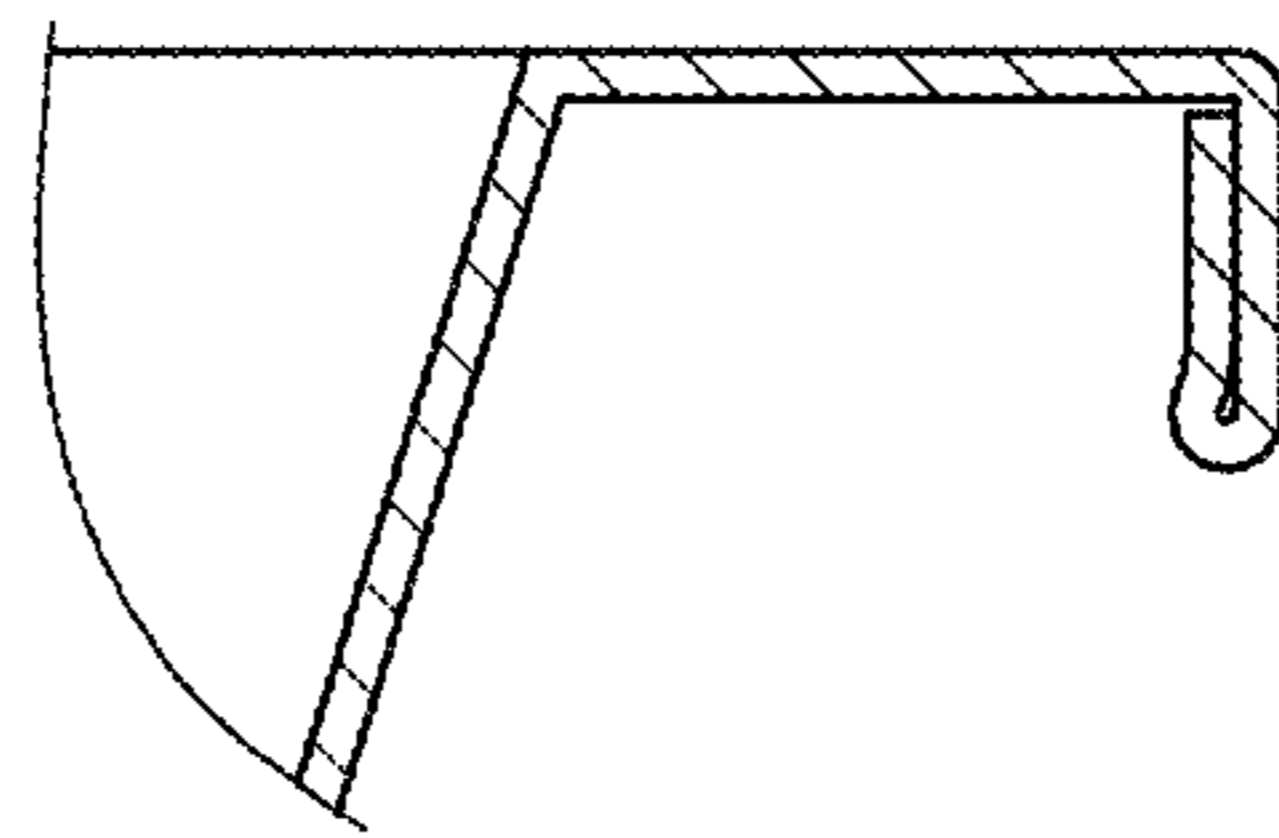


FIG. 6

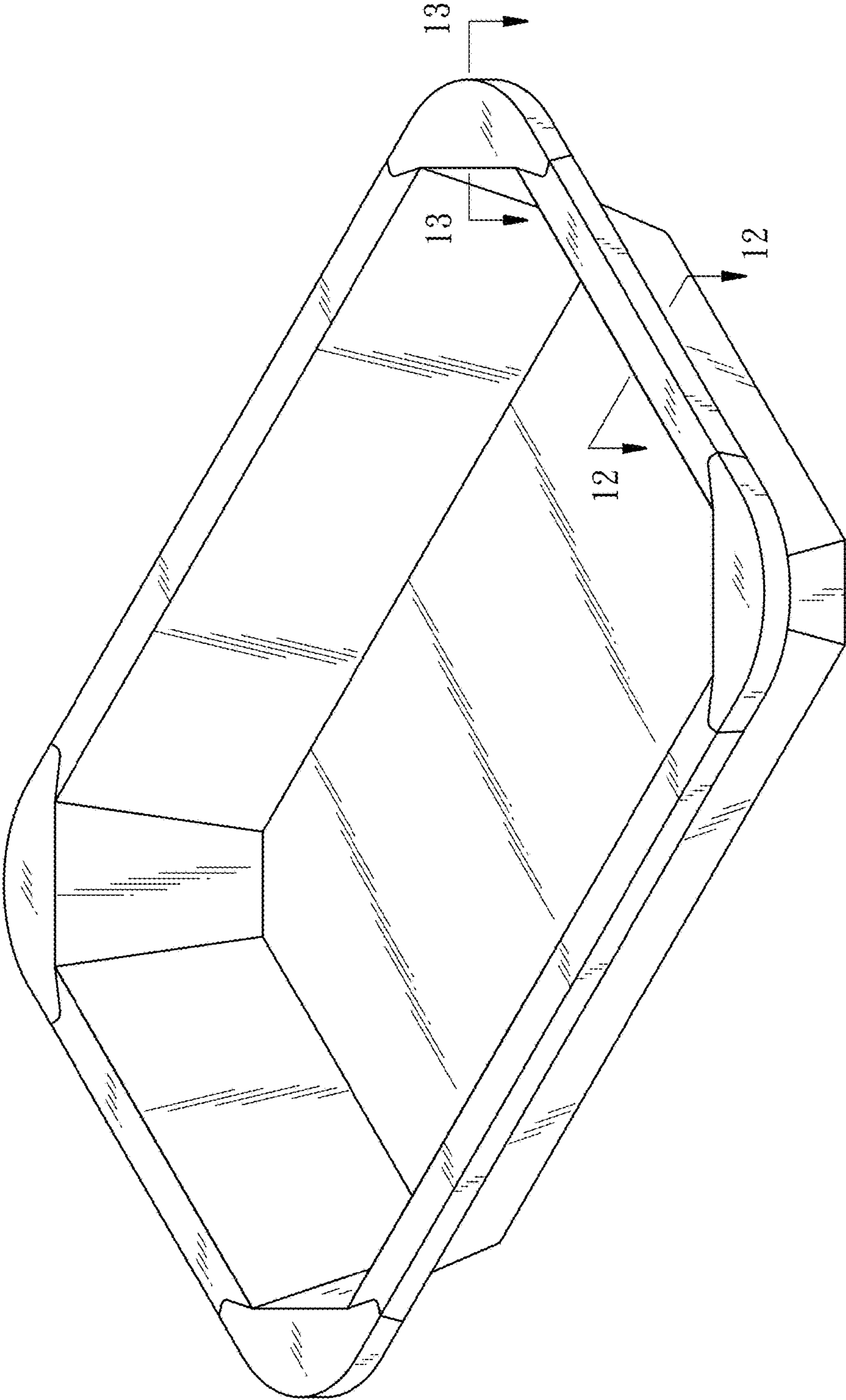


FIG. 7

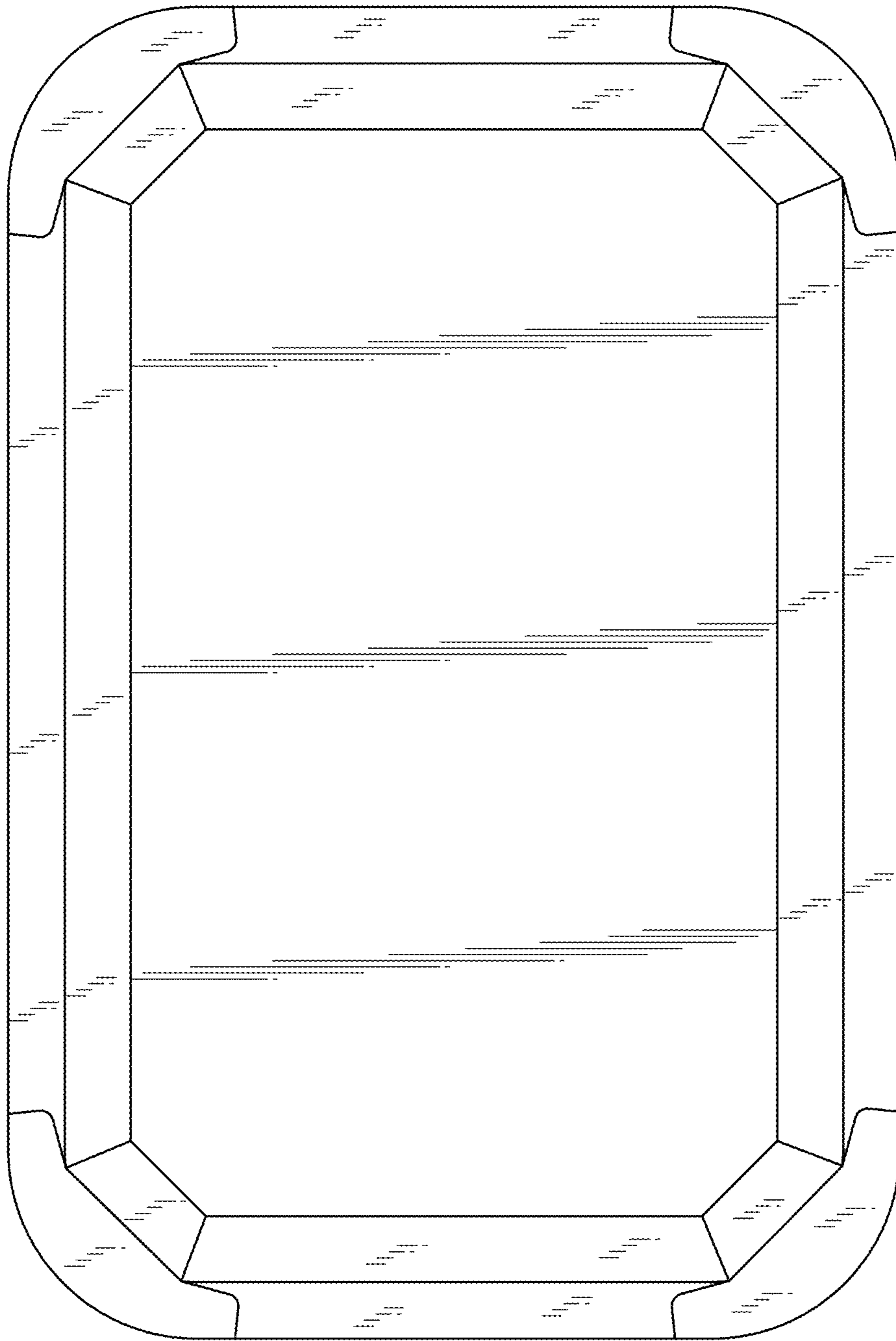


FIG. 8

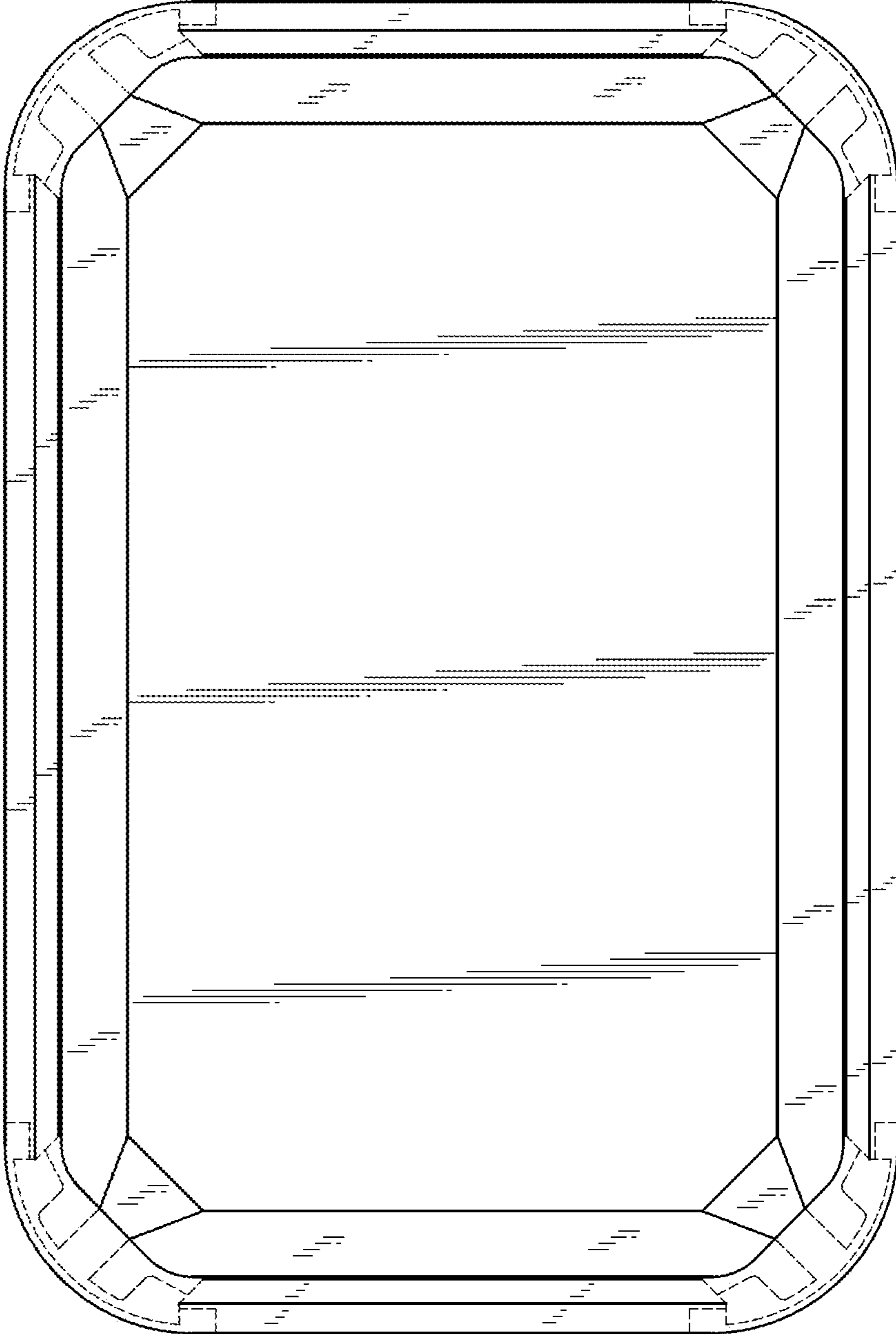


FIG. 9

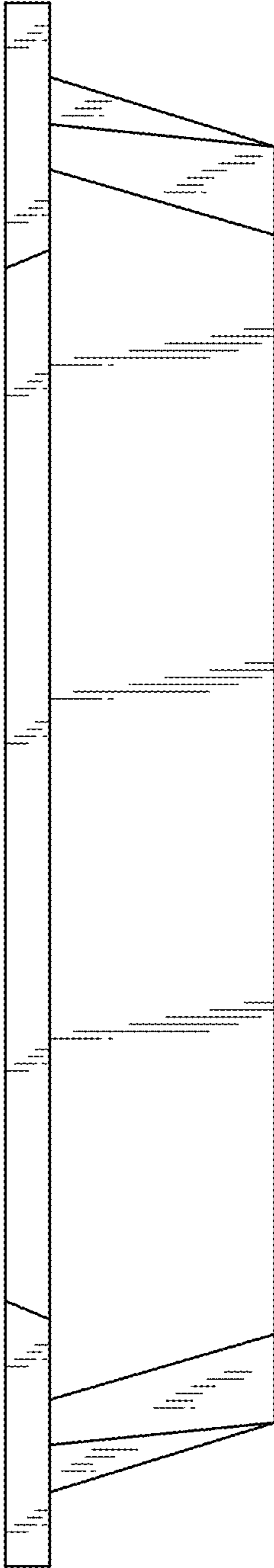


FIG. 10

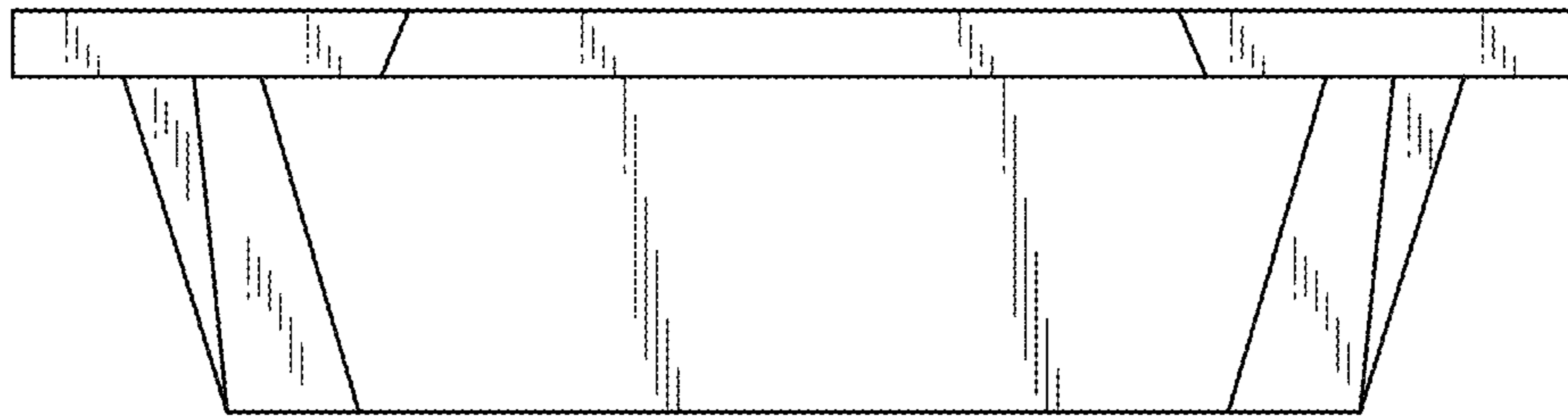


FIG. 11

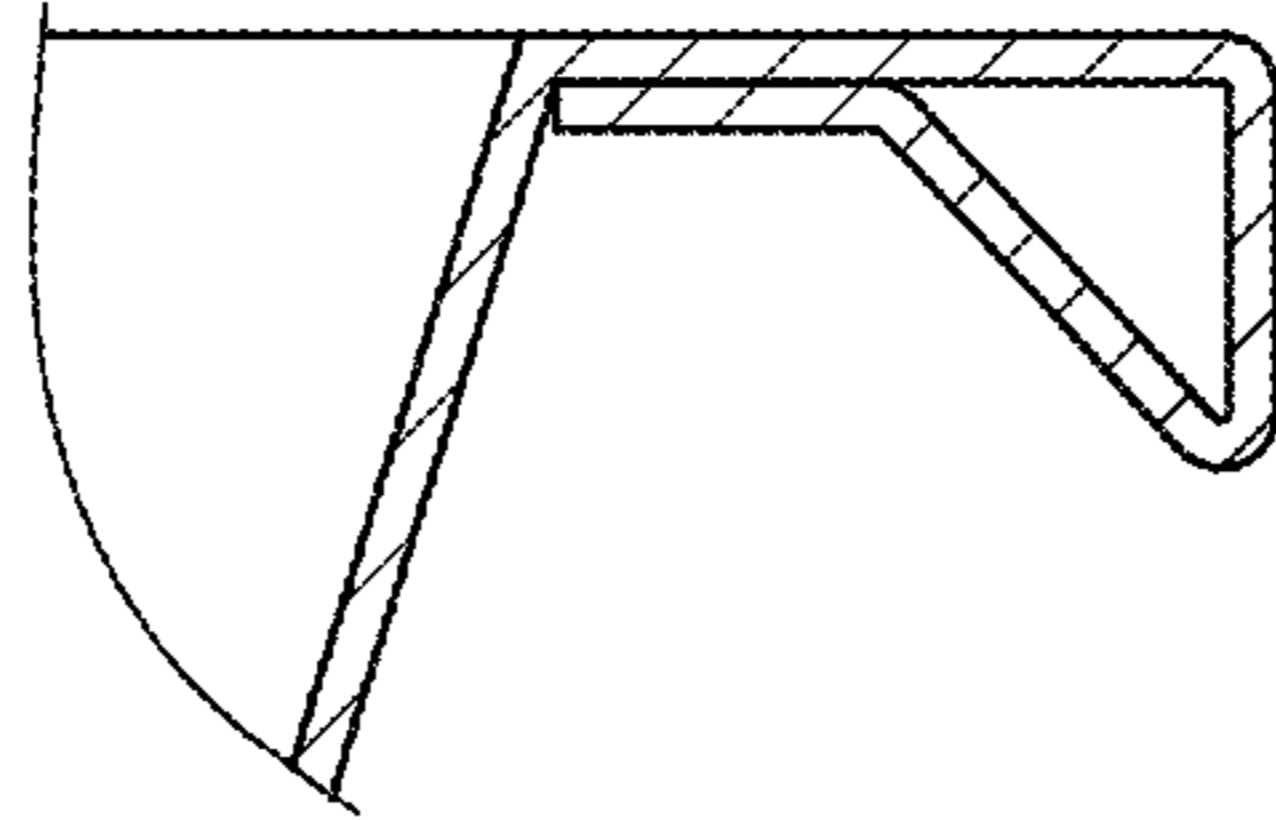


FIG. 12

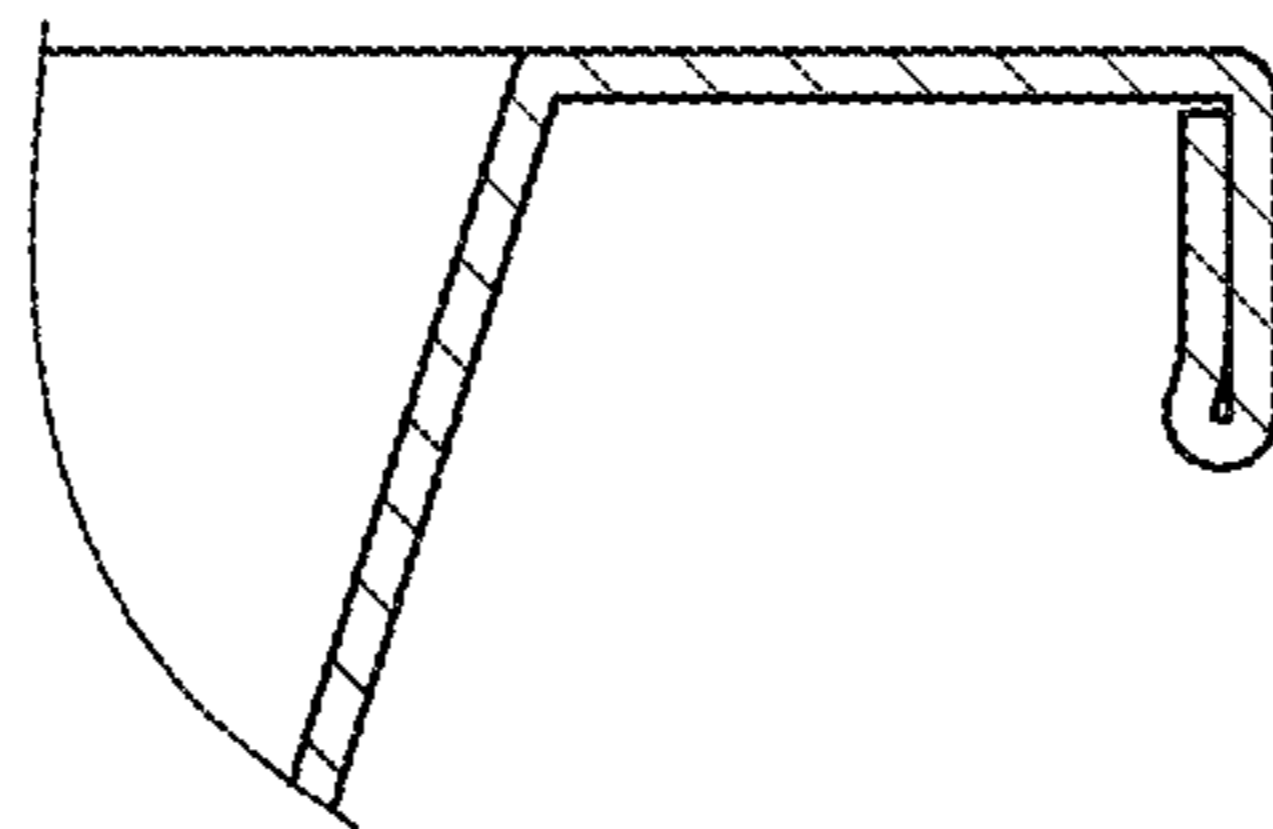


FIG. 13