



US00D793815S

(12) **United States Design Patent**
Donovan

(10) **Patent No.:** **US D793,815 S**
(45) **Date of Patent:** **** Aug. 8, 2017**

- (54) **PLATE**
- (71) Applicant: **Kyle Donovan**, New York, NY (US)
- (72) Inventor: **Kyle Donovan**, New York, NY (US)
- (**) Term: **15 Years**
- (21) Appl. No.: **29/541,899**
- (22) Filed: **Oct. 8, 2015**
- (51) **LOC (10) Cl.** **07-01**
- (52) **U.S. Cl.**
USPC **D7/586; D7/505**
- (58) **Field of Classification Search**
USPC D7/584, 500, 570, 566, 565, 557, 552.2,
D7/503, 538, 543, 553.6, 586, 587, 505,
D7/555, 504; D3/306; 217/122; 147/18;
220/23.83, 574.1, 574
CPC A47G 19/02; A47G 19/025; A47G 19/30;
A47J 43/18
See application file for complete search history.

(56) **References Cited**

U.S. PATENT DOCUMENTS

D40,397 S *	12/1909	Zieglar	D7/568
D50,194 S *	1/1917	Haley	D7/584
D217,632 S *	5/1970	Bouchet	220/574.1
D285,513 S *	9/1986	Ritman	D7/586
D291,757 S *	9/1987	Ritman	D7/584
D551,505 S *	9/2007	Friedland	D7/543
D551,506 S *	9/2007	Friedland	D7/543
D551,507 S *	9/2007	Friedland	D7/543
D551,908 S *	10/2007	Friedland	D7/500
D552,423 S *	10/2007	Friedland	D7/543
D722,251 S *	2/2015	Morga	D7/500
D734,102 S *	7/2015	Schonfeld	D7/645
D742,698 S *	11/2015	Kellow, Jr.	D7/553.8
9,265,370 B2 *	2/2016	Kellow, Jr.	A47G 19/065
D750,939 S *	3/2016	Kellow, Jr.	D7/557

- 2006/0218795 A1* 10/2006 Santa Cruz A47G 19/06
30/147
- 2008/0110901 A1* 5/2008 Unda A47G 19/06
220/574.1
- 2009/0194543 A1* 8/2009 Farmer B65D 1/36
220/575
- 2009/0200315 A1* 8/2009 Blondeel A47G 19/06
220/574.1

(Continued)

Primary Examiner — Cynthia Underwood

(74) *Attorney, Agent, or Firm* — Franklin & Associates International Inc.; Matthew F. Lambrinos

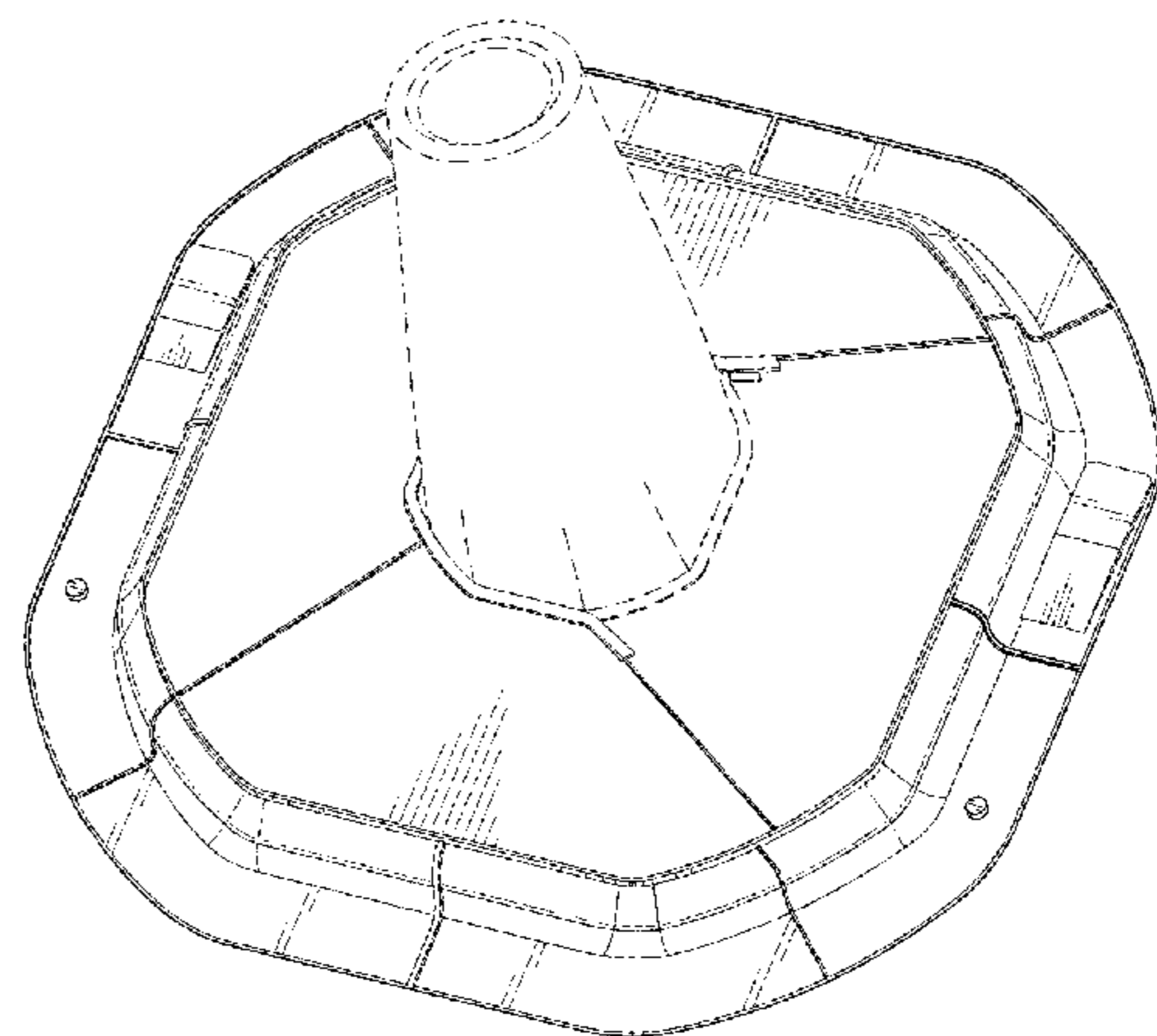
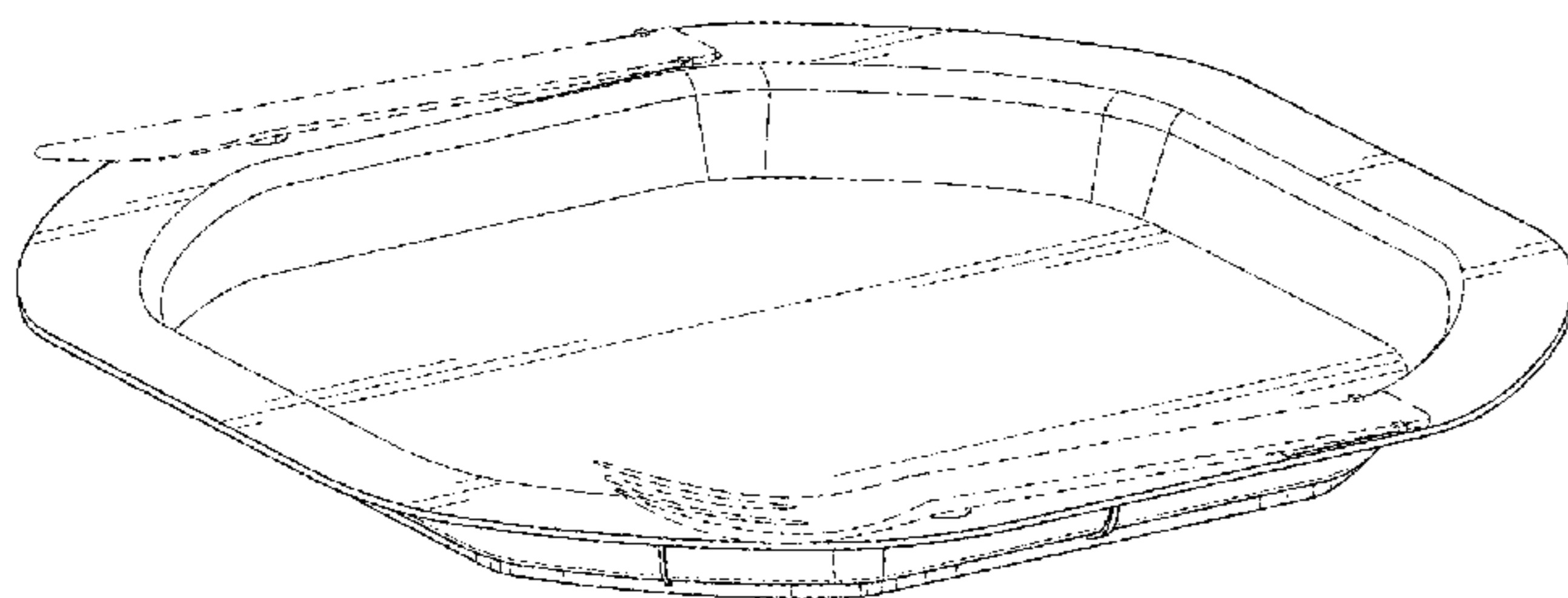
(57) **CLAIM**

The ornamental design for plate, as shown and described.

DESCRIPTION

FIG. 1 is a top perspective view of a plate showing my new design according to an embodiment;
 FIG. 2 is a top perspective view of the plate of FIG. 1 showing cutlery engaged with the plate;
 FIG. 3 is top plan view of the plate of FIG. 1 shown reduced in scale;
 FIG. 4 is a bottom plan view of the plate of FIG. 1 shown reduced in scale;
 FIG. 5 is a front end view of the plate of FIG. 1;
 FIG. 6 is a rear end view of the plate of FIG. 1;
 FIG. 7 is a bottom perspective view of the plate of FIG. 1;
 FIG. 8 is a left side bottom perspective view of the plate of FIG. 1 showing a beverage cup engaged with the plate; and,
 FIG. 9 is a right side bottom perspective view of the plate of FIG. 1 showing the beverage cup engaged with the plate.
 The cutlery and beverage cup shown in broken lines is for illustrative purposes only and forms no part of the claimed design.
 The shade lines in the Figures show contour and not surface ornamentation.

1 Claim, 5 Drawing Sheets



(56)

References Cited

U.S. PATENT DOCUMENTS

2012/0248124 A1 * 10/2012 Mitri A47G 19/06
220/574.1

* cited by examiner

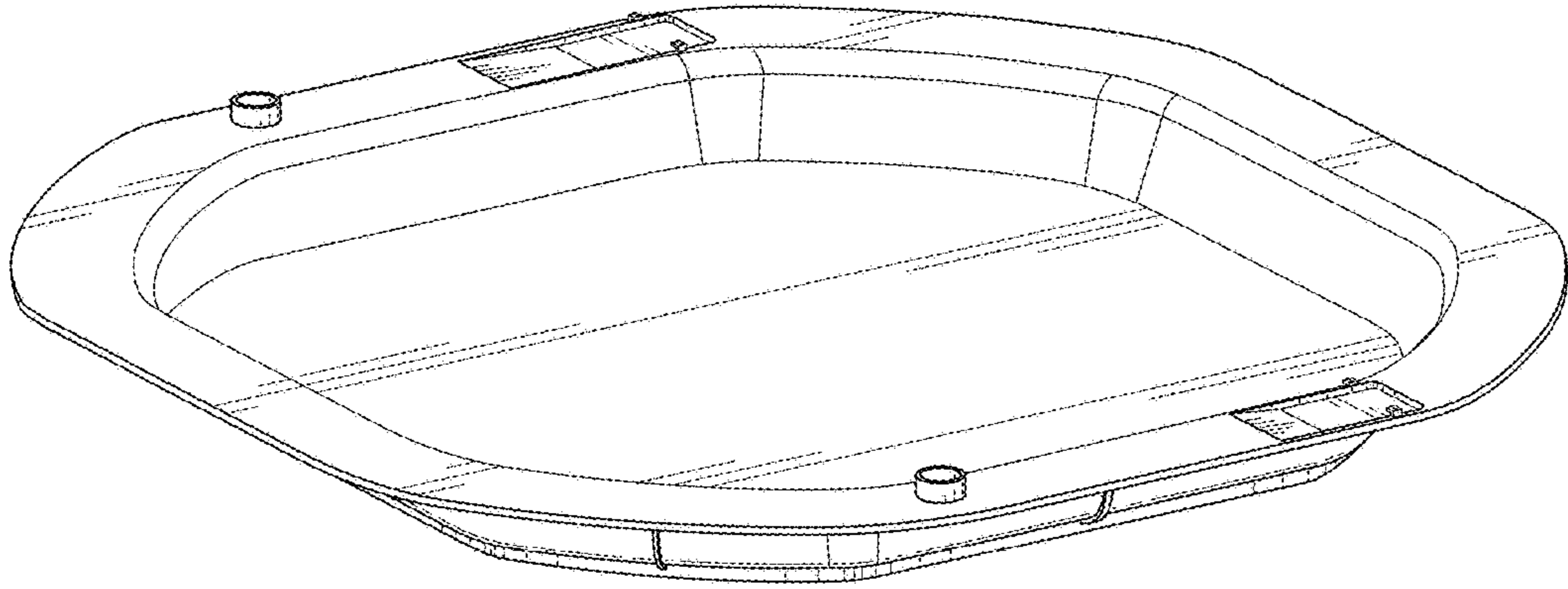


FIG. 1

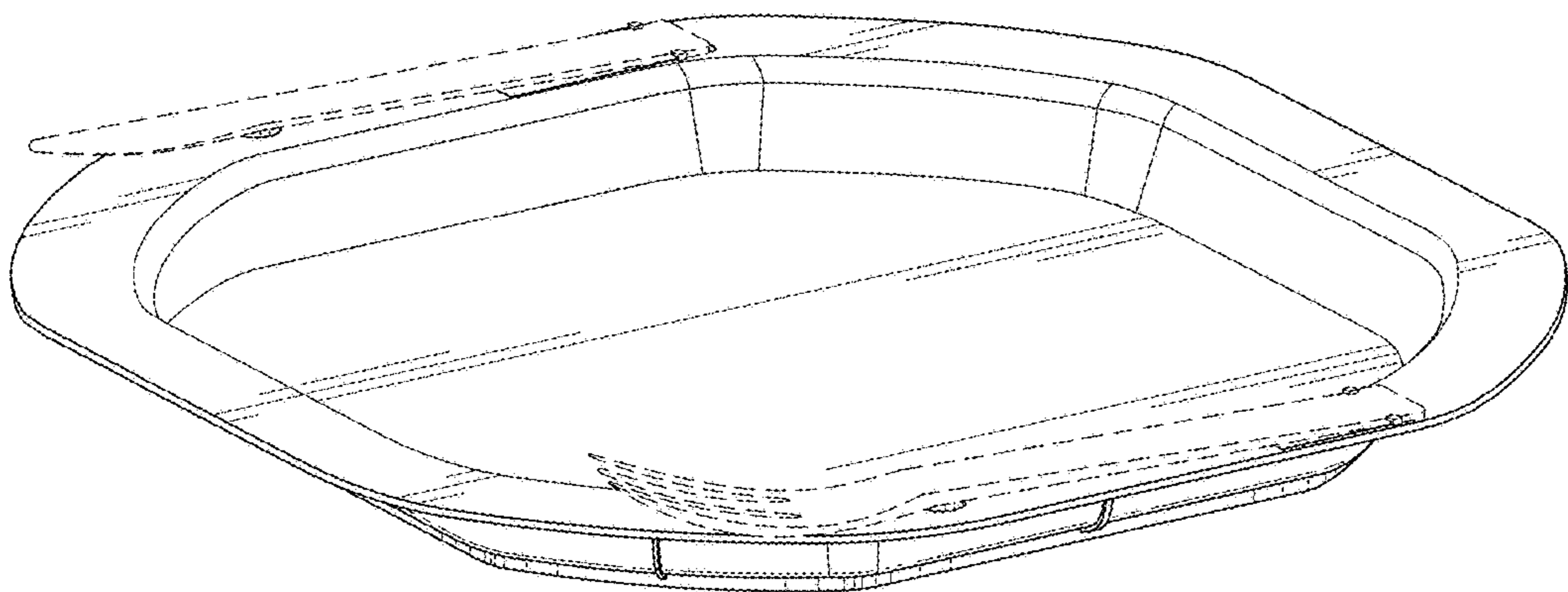


FIG. 2

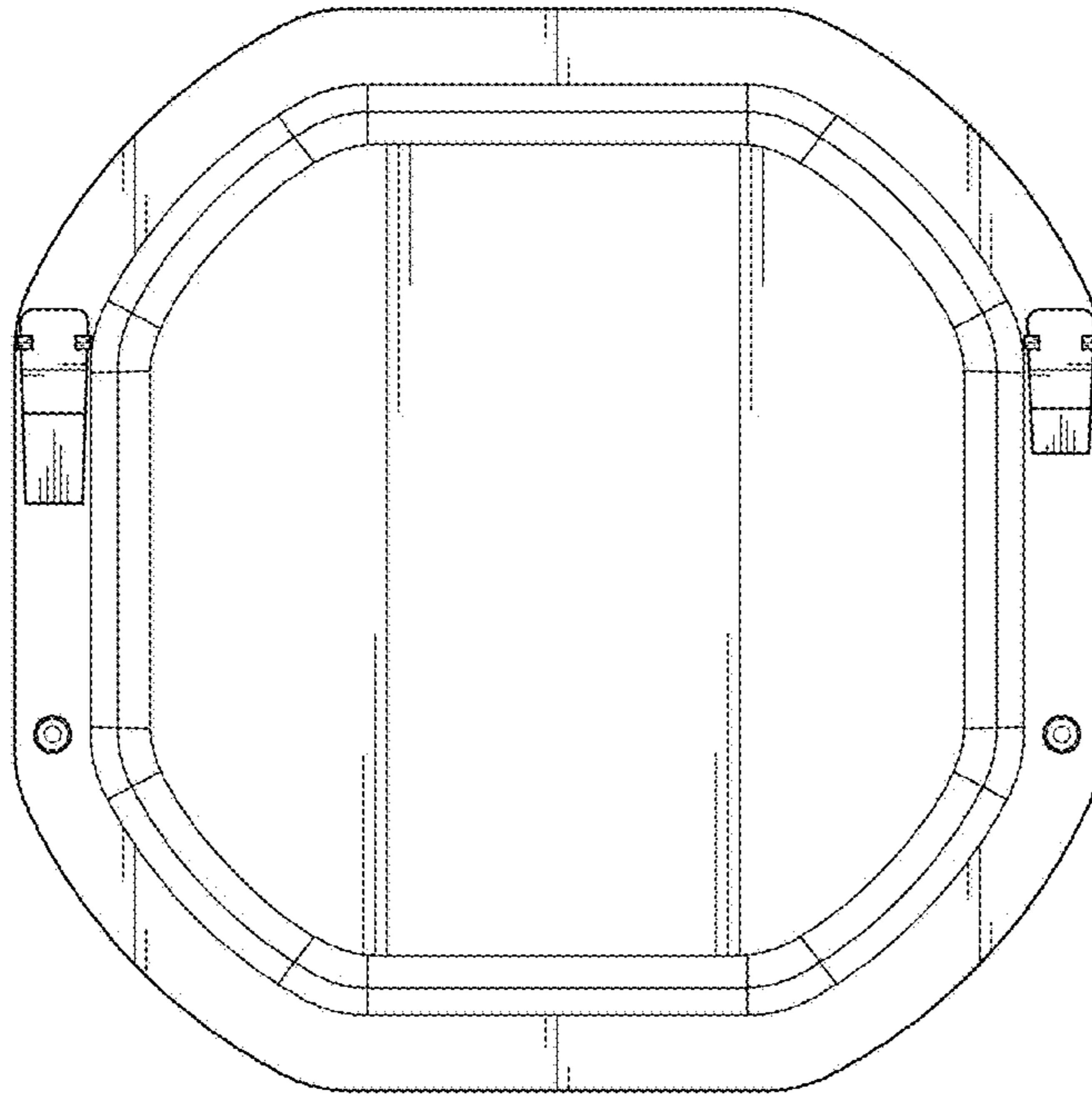


FIG. 3

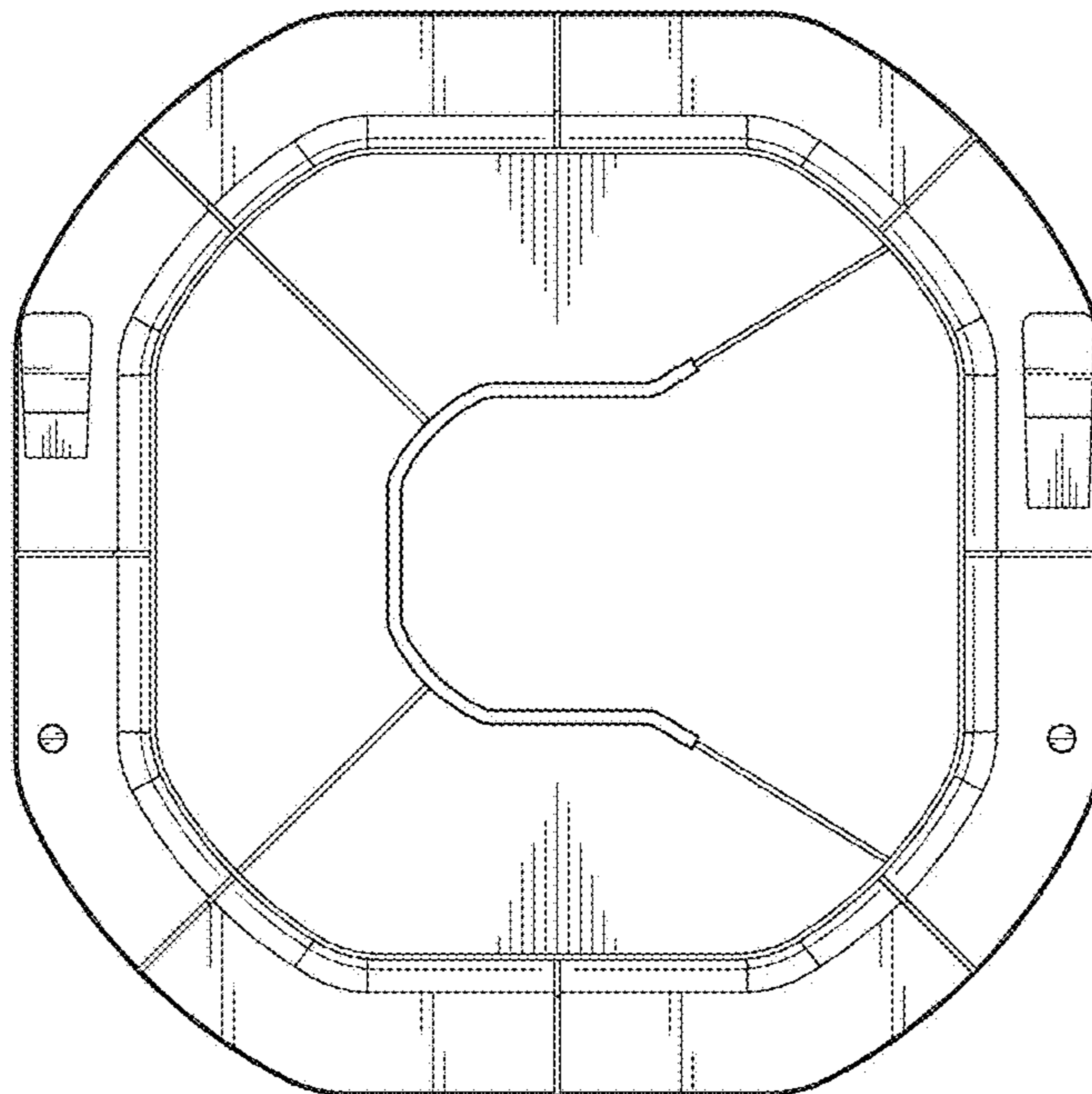


FIG. 4

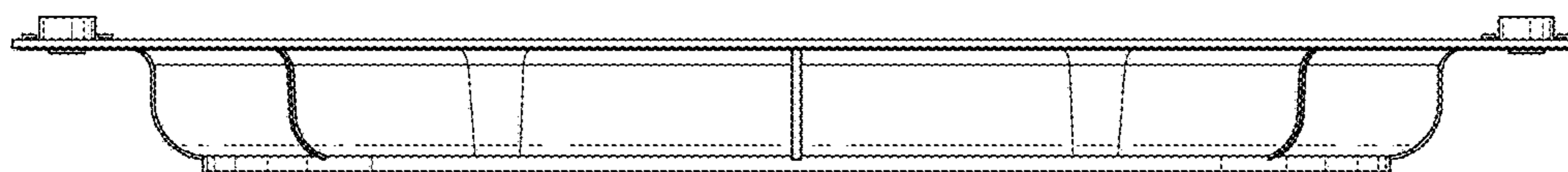


FIG. 5

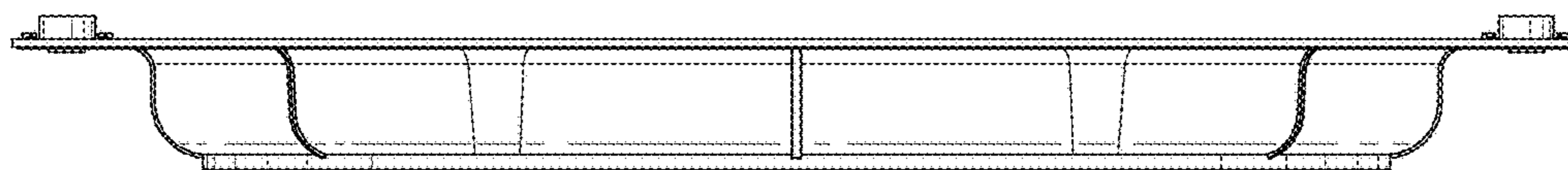


FIG. 6

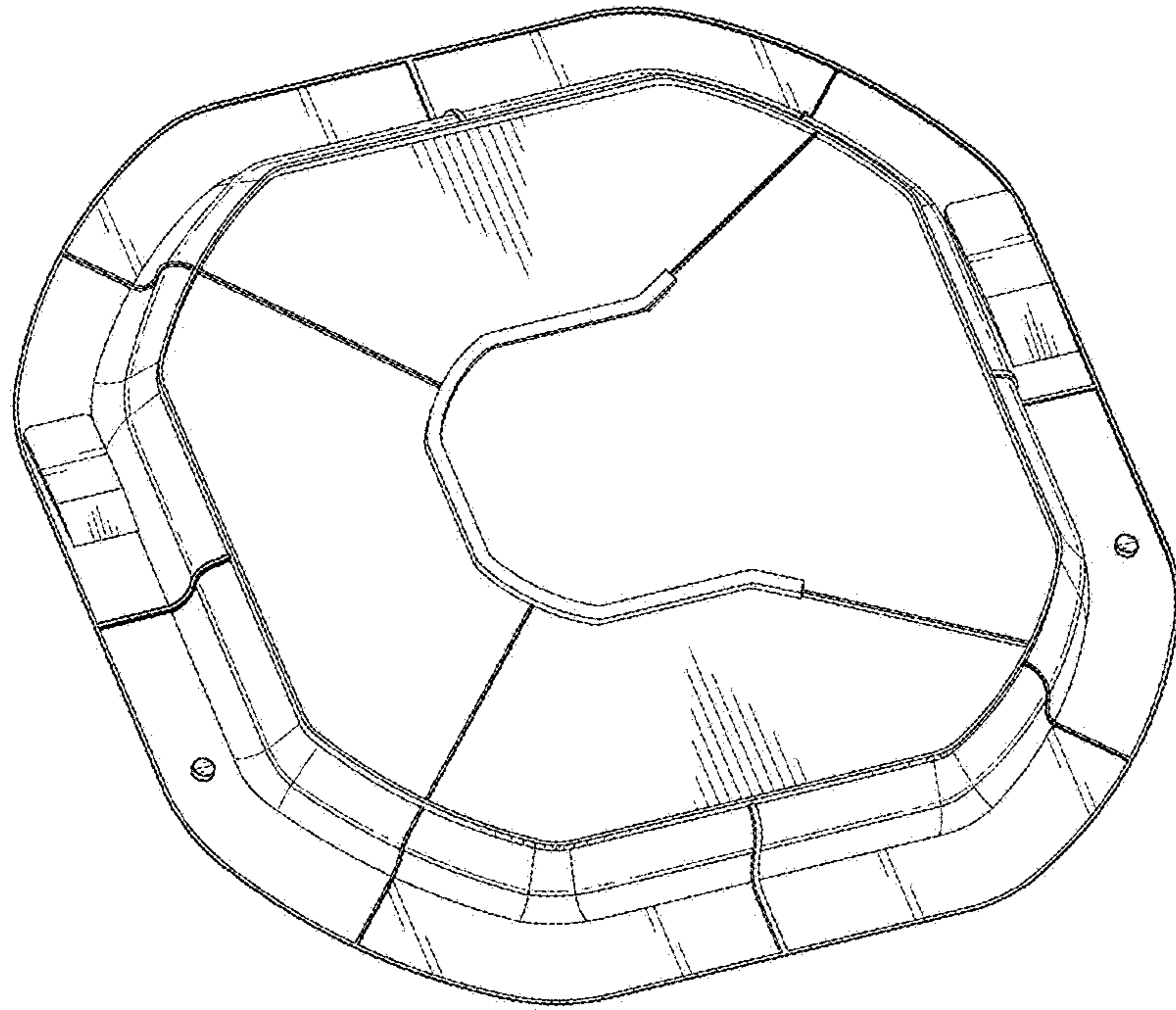


FIG. 7

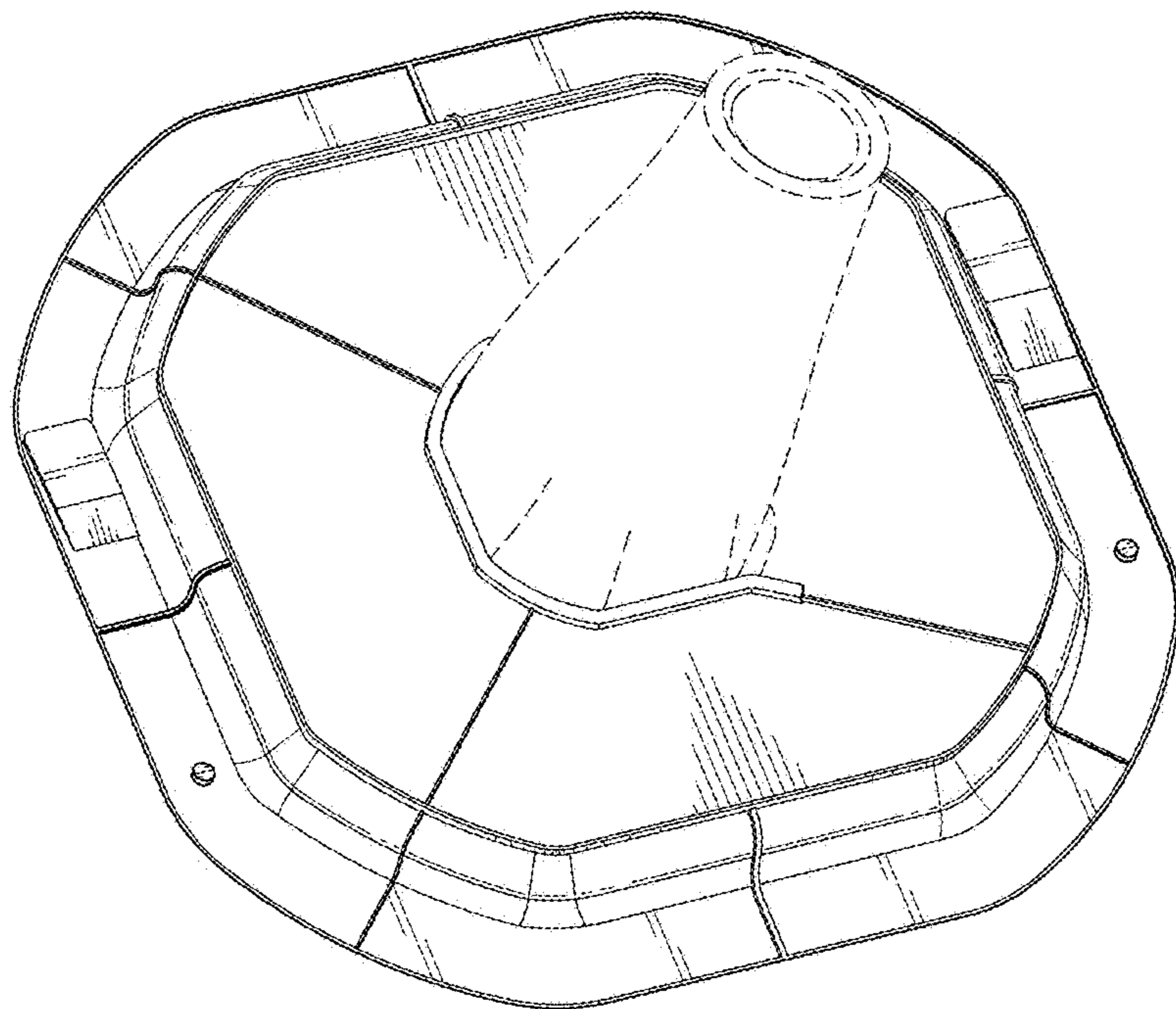


FIG. 8

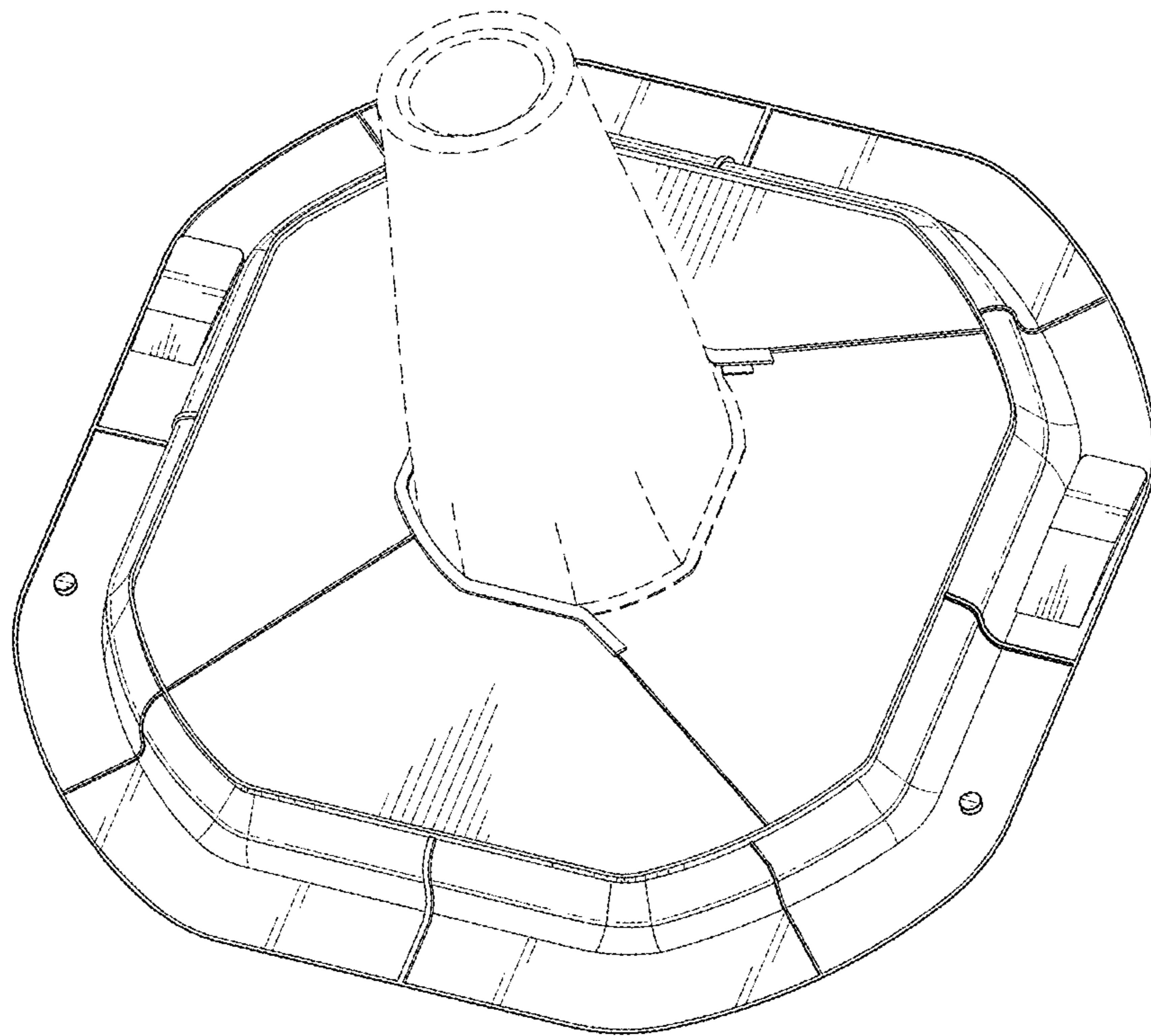


FIG. 9