



US00D793814S

(12) **United States Design Patent** (10) **Patent No.:** **US D793,814 S**  
**Wrightson et al.** (45) **Date of Patent:** **\*\* Aug. 8, 2017**

- (54) **SNACK BOWL**
- (71) Applicants: **Richard Hastings Wrightson**, Los Angeles, CA (US); **Dallas Aaron Amsden**, Van Nuys, CA (US)
- (72) Inventors: **Richard Hastings Wrightson**, Los Angeles, CA (US); **Dallas Aaron Amsden**, Van Nuys, CA (US)
- (73) Assignee: **EVENTMAX DESIGN, LLC**, Collinsville, IL (US)
- (\*\*) Term: **15 Years**
- (21) Appl. No.: **29/543,379**
- (22) Filed: **Oct. 23, 2015**
- (51) **LOC (10) Cl.** ..... **07-01**
- (52) **U.S. Cl.**  
USPC ..... **D7/556**
- (58) **Field of Classification Search**  
USPC ..... D7/538, 500, 505, 539, 543, 57, 581, D7/629, 540, 541, 555, 603, 602, 609, D7/554.2; D9/425, 424, 428, 426, 737, D9/761; 220/810, 270, 326; 229/406  
CPC ..... A47G 21/001; B65D 43/162; B65D 43/0249; B65D 43/26  
See application file for complete search history.

- D282,233 S \* 1/1986 Kelley ..... D19/75
- D324,546 S \* 3/1992 Casolin ..... D19/75
- D363,853 S \* 11/1995 Smith ..... D7/504
- D604,105 S \* 11/2009 Metcalfe ..... D7/388
- D605,896 S \* 12/2009 Zalewski ..... D7/553.1
- D693,646 S \* 11/2013 Katterheinrich ..... D7/555
- D707,085 S \* 6/2014 Carmichael ..... D7/554.2
- D743,212 S \* 11/2015 Habig ..... D7/555
- D753,443 S \* 4/2016 Mock ..... D7/555

\* cited by examiner

*Primary Examiner* — Cynthia Underwood  
(74) *Attorney, Agent, or Firm* — Hankin Patent Law, APC; Kevin Schraven; Anooj Patel

(57) **CLAIM**

The ornamental design for a snack bowl, as shown and described.

**DESCRIPTION**

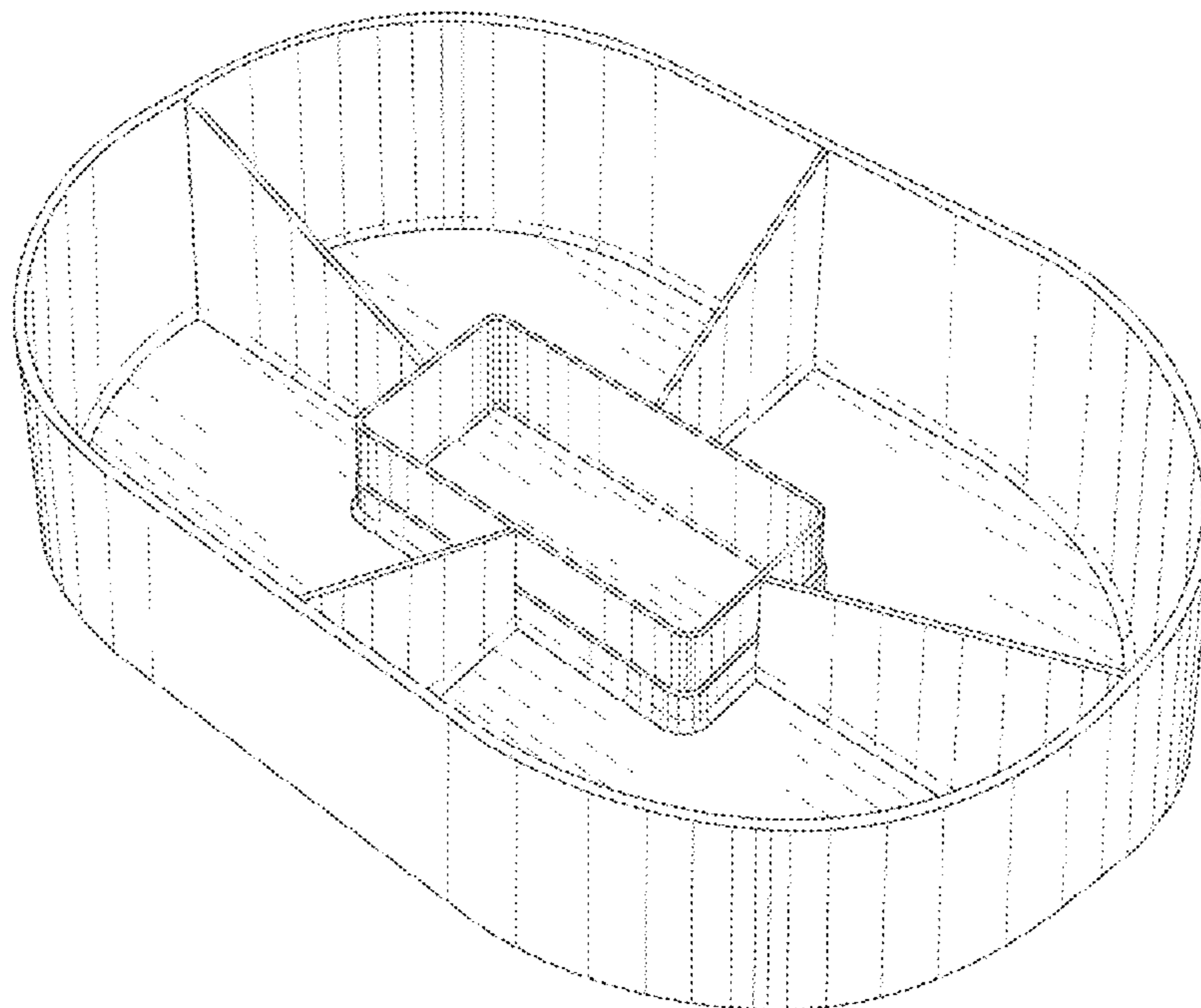
FIG. 1 is a top perspective view of a snack bowl, showing our new design.  
 FIG. 2 is a bottom perspective view thereof.  
 FIG. 3 is a right side elevational view thereof.  
 FIG. 4 is a left side elevational view thereof.  
 FIG. 5 is a rear elevational view thereof.  
 FIG. 6 is a front elevational view thereof.  
 FIG. 7 is a bottom plan view thereof.  
 FIG. 8 is a top plan view thereof.  
 FIG. 9 is a top perspective exploded view thereof.  
 FIG. 10 is a bottom perspective exploded view thereof; and,  
 FIG. 11 is a top perspective view thereof in an alternative configuration of use.

**1 Claim, 11 Drawing Sheets**

(56) **References Cited**

**U.S. PATENT DOCUMENTS**

- D55,218 S \* 5/1920 Torgeson ..... 220/23.8
- D123,472 S \* 11/1940 Caldwell ..... D7/388



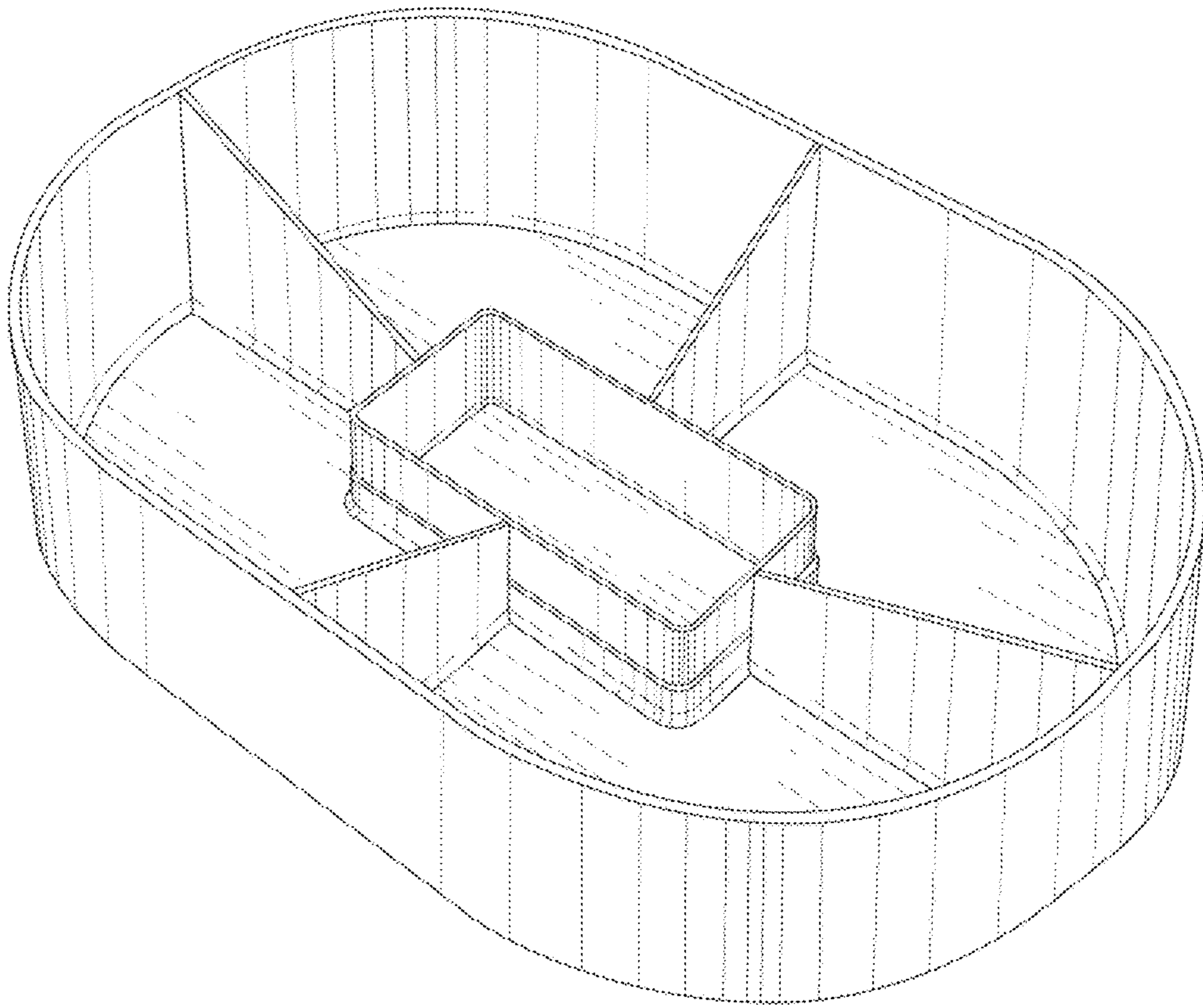


FIG. 1

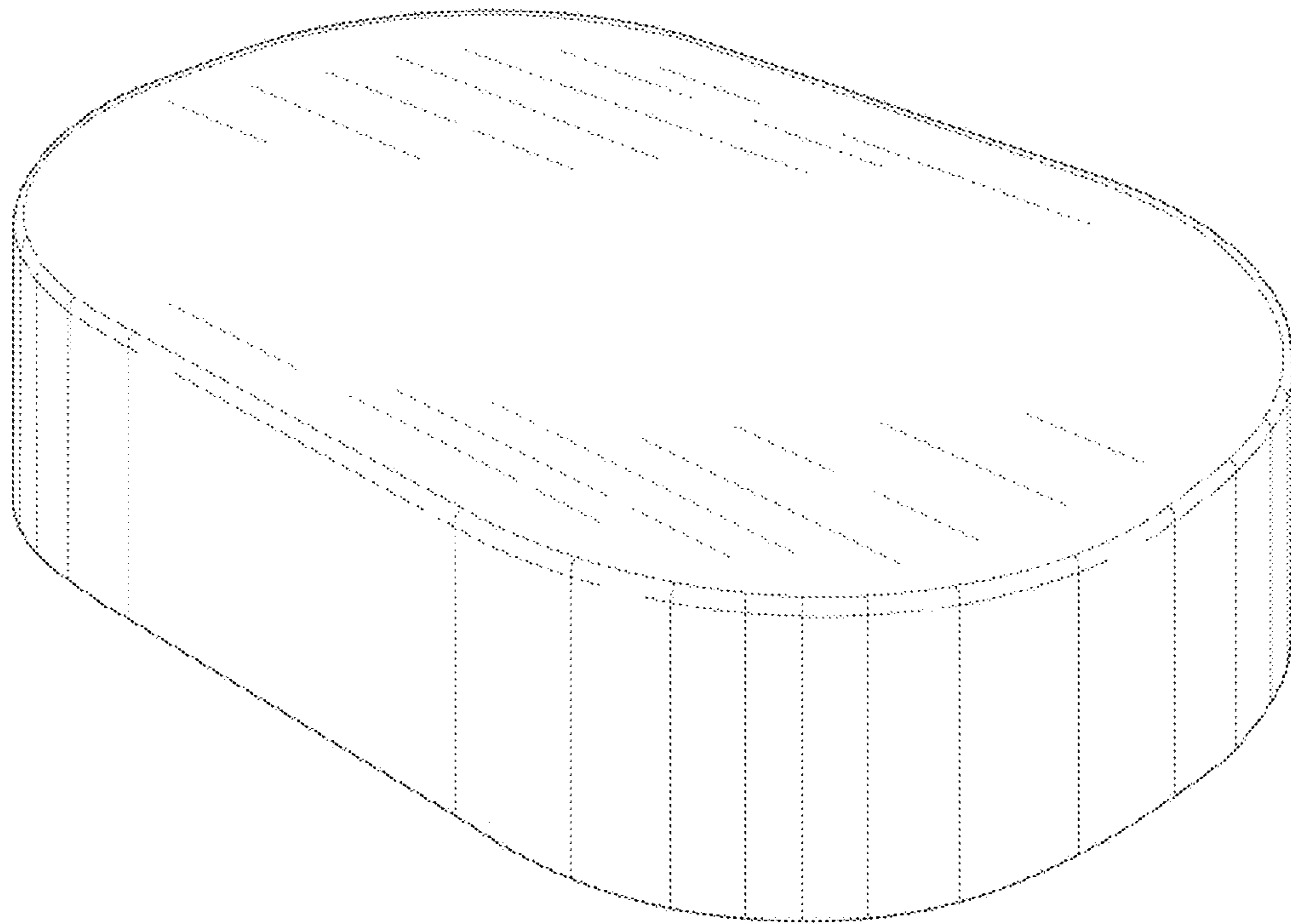


FIG. 2

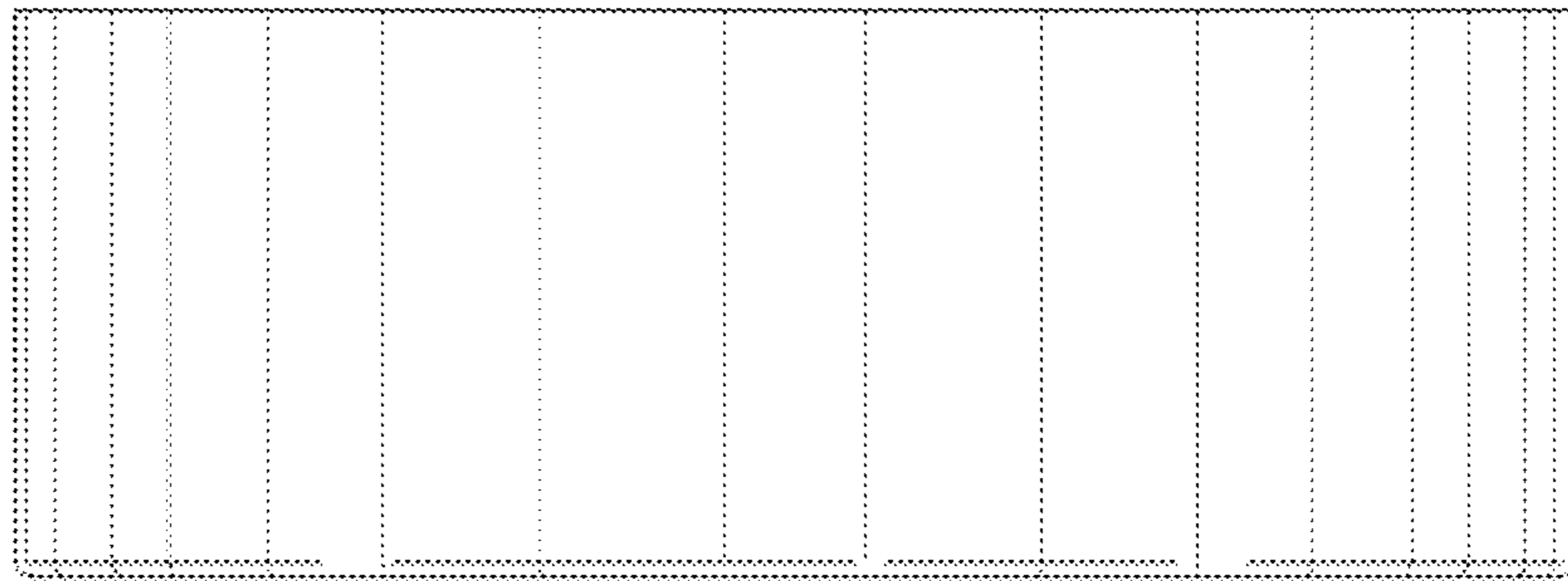


FIG. 3

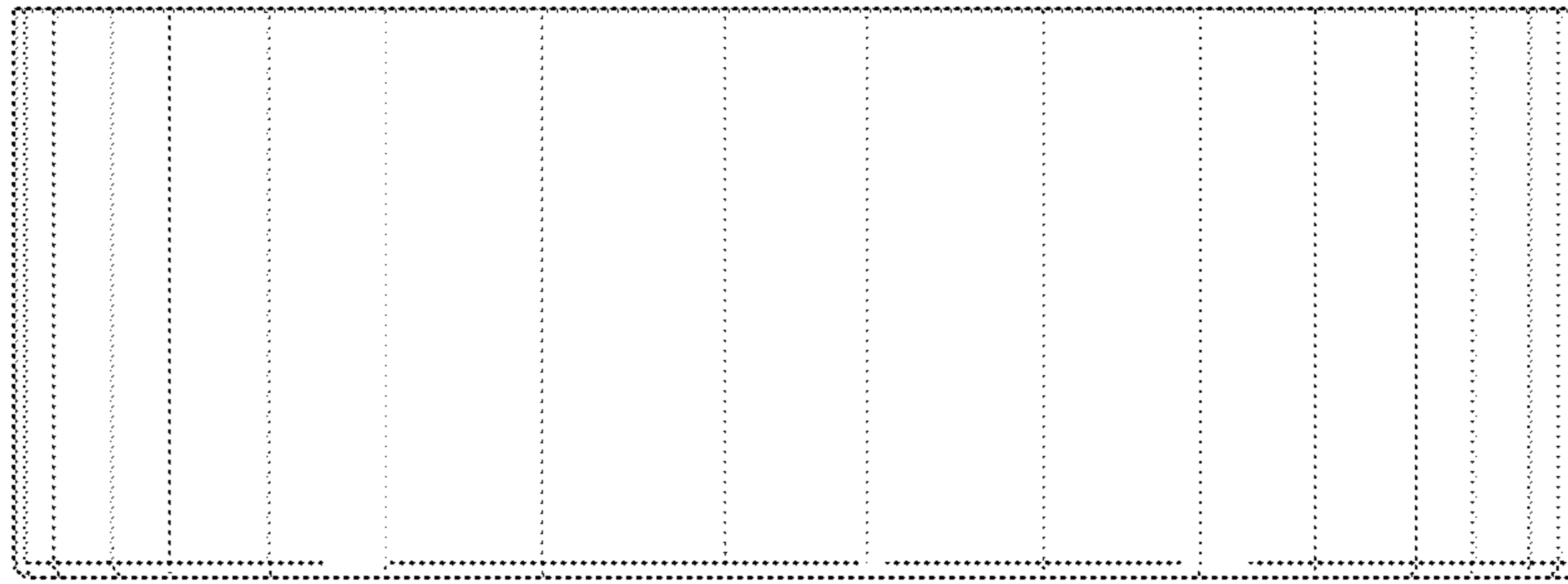


FIG. 4

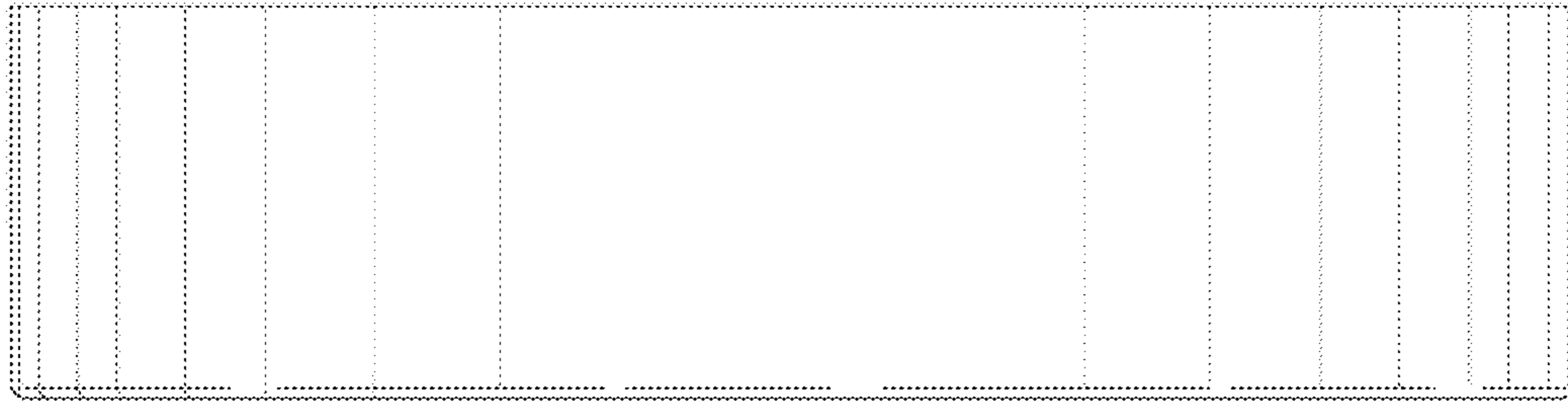


FIG. 5

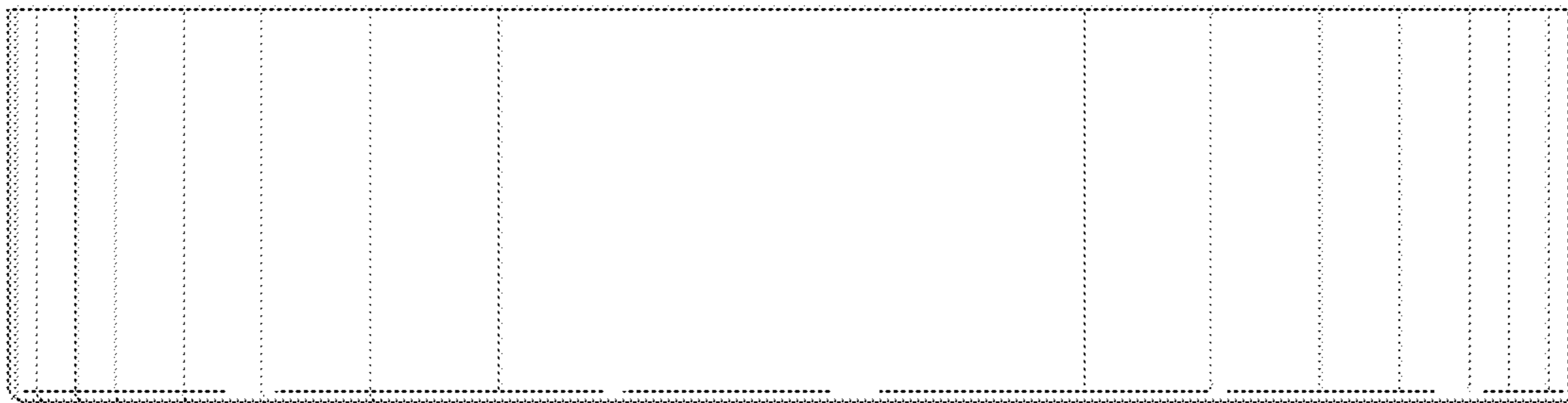


FIG. 6

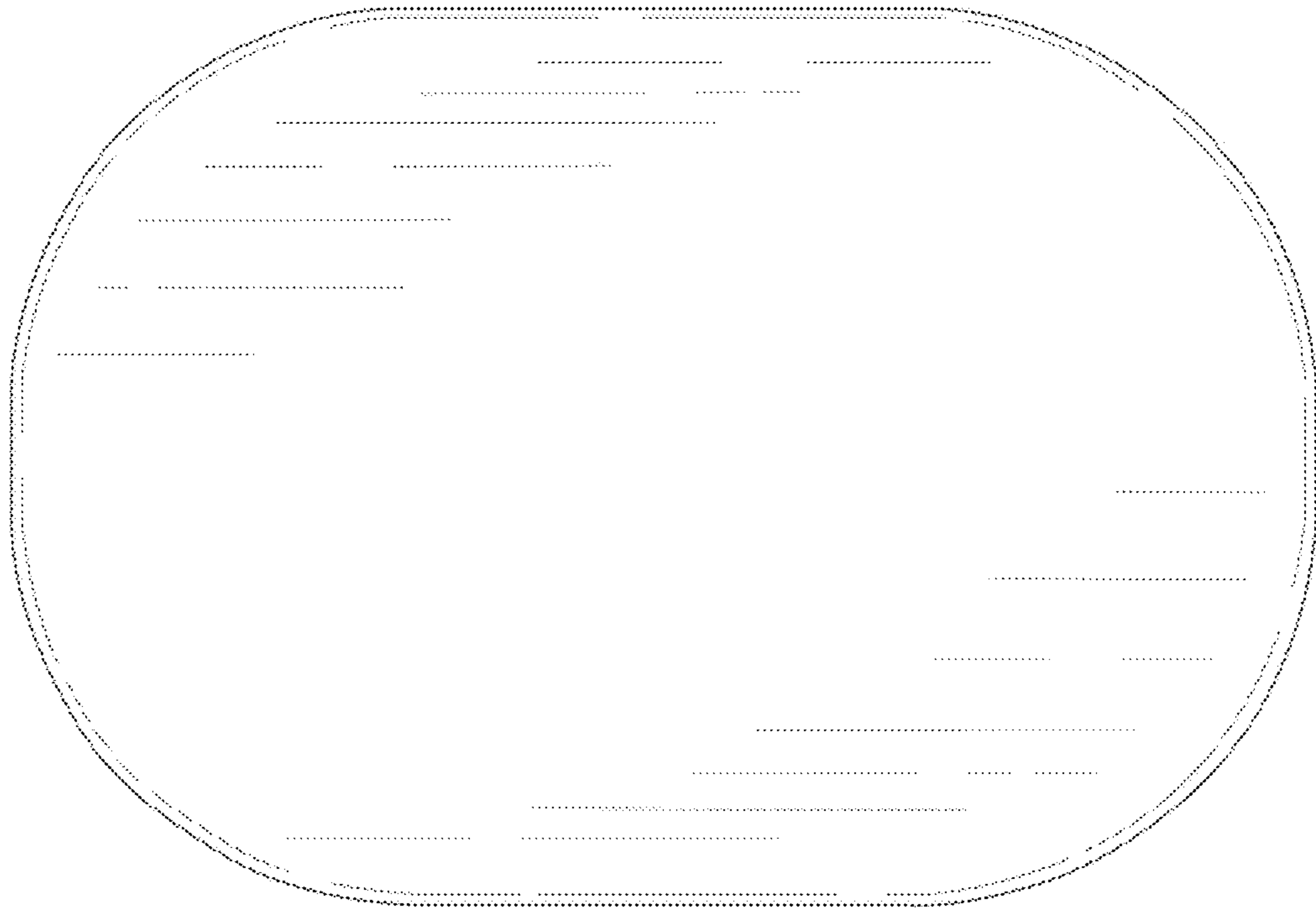


FIG. 7



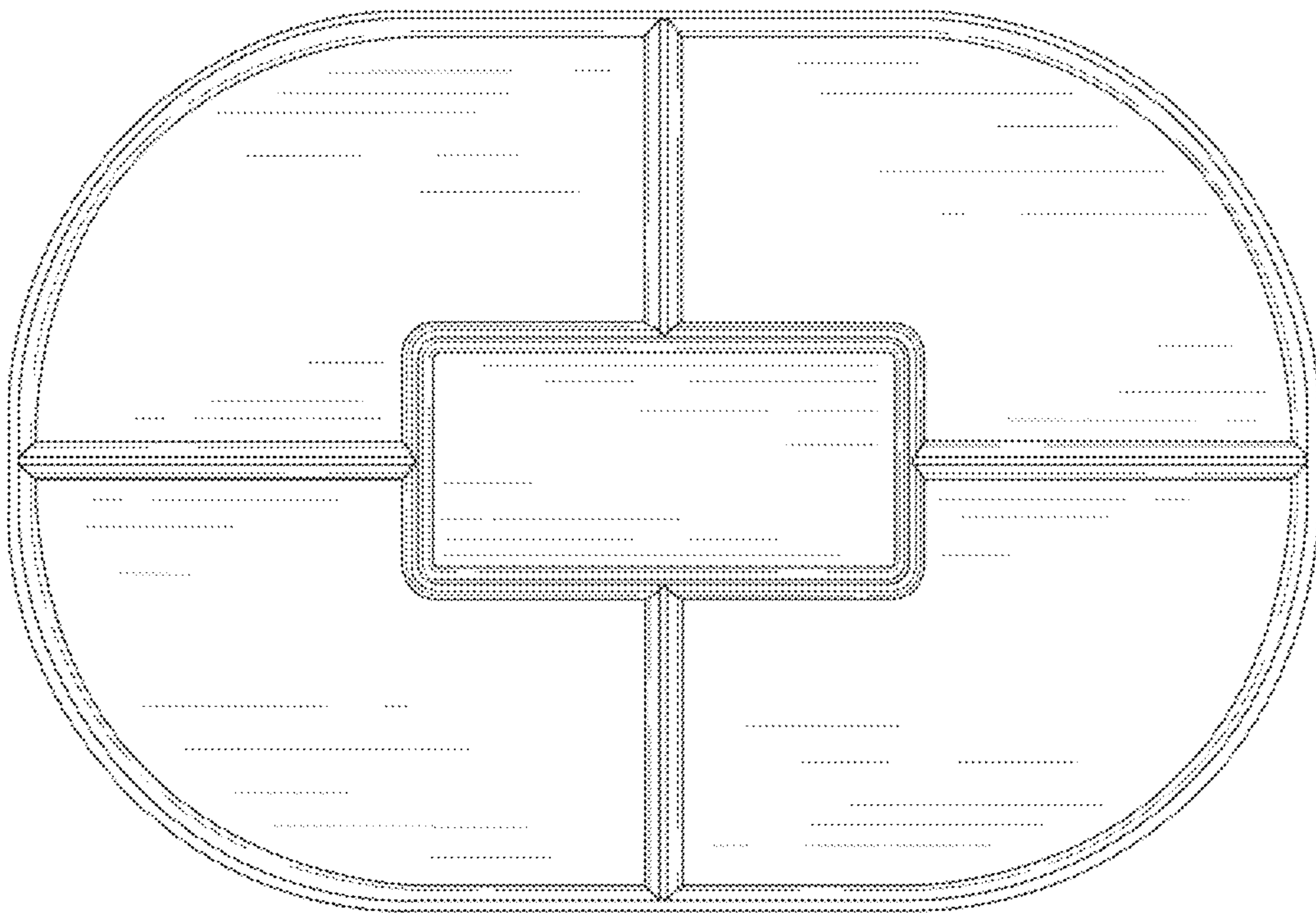


FIG. 8

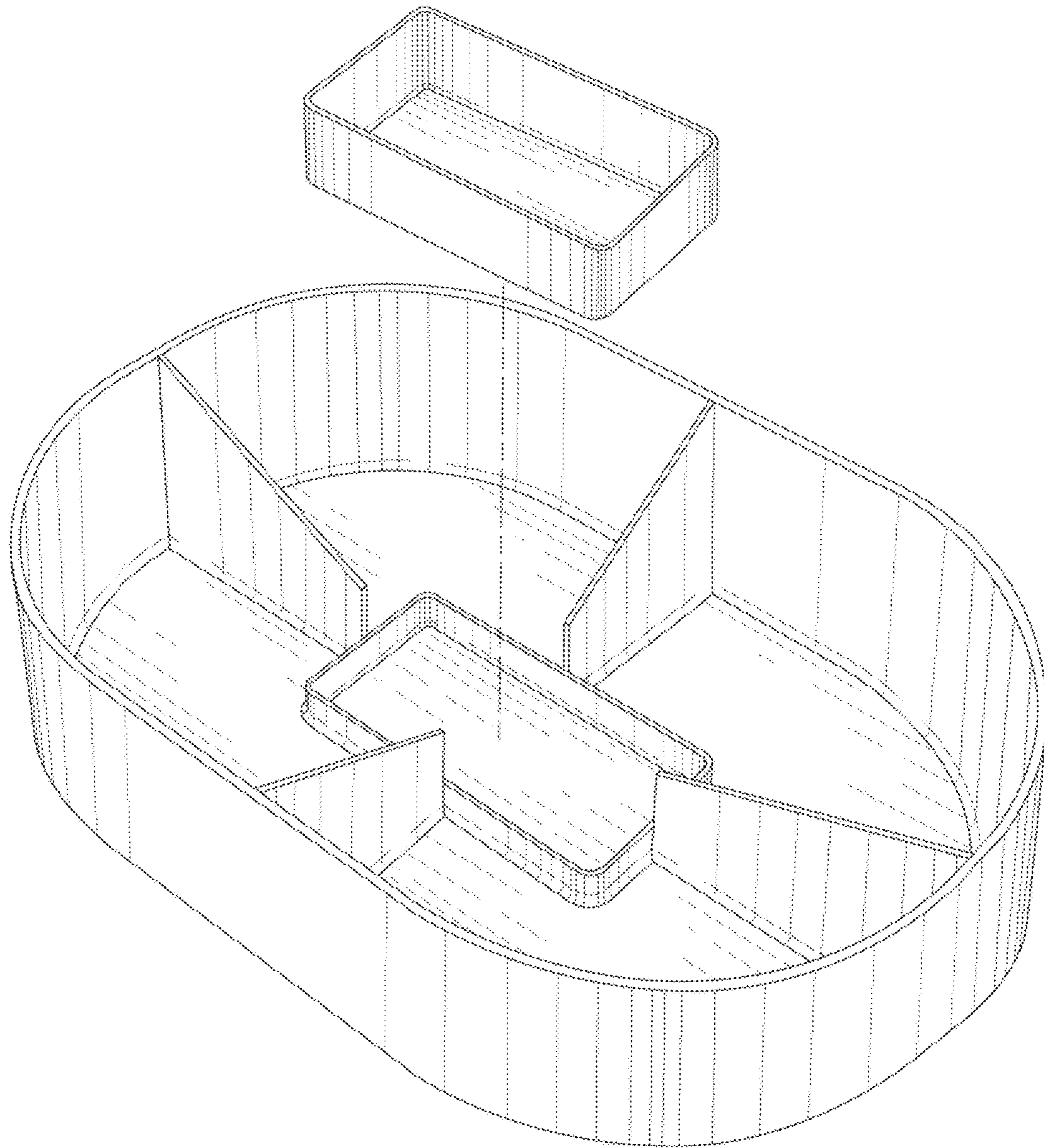


Fig. 9

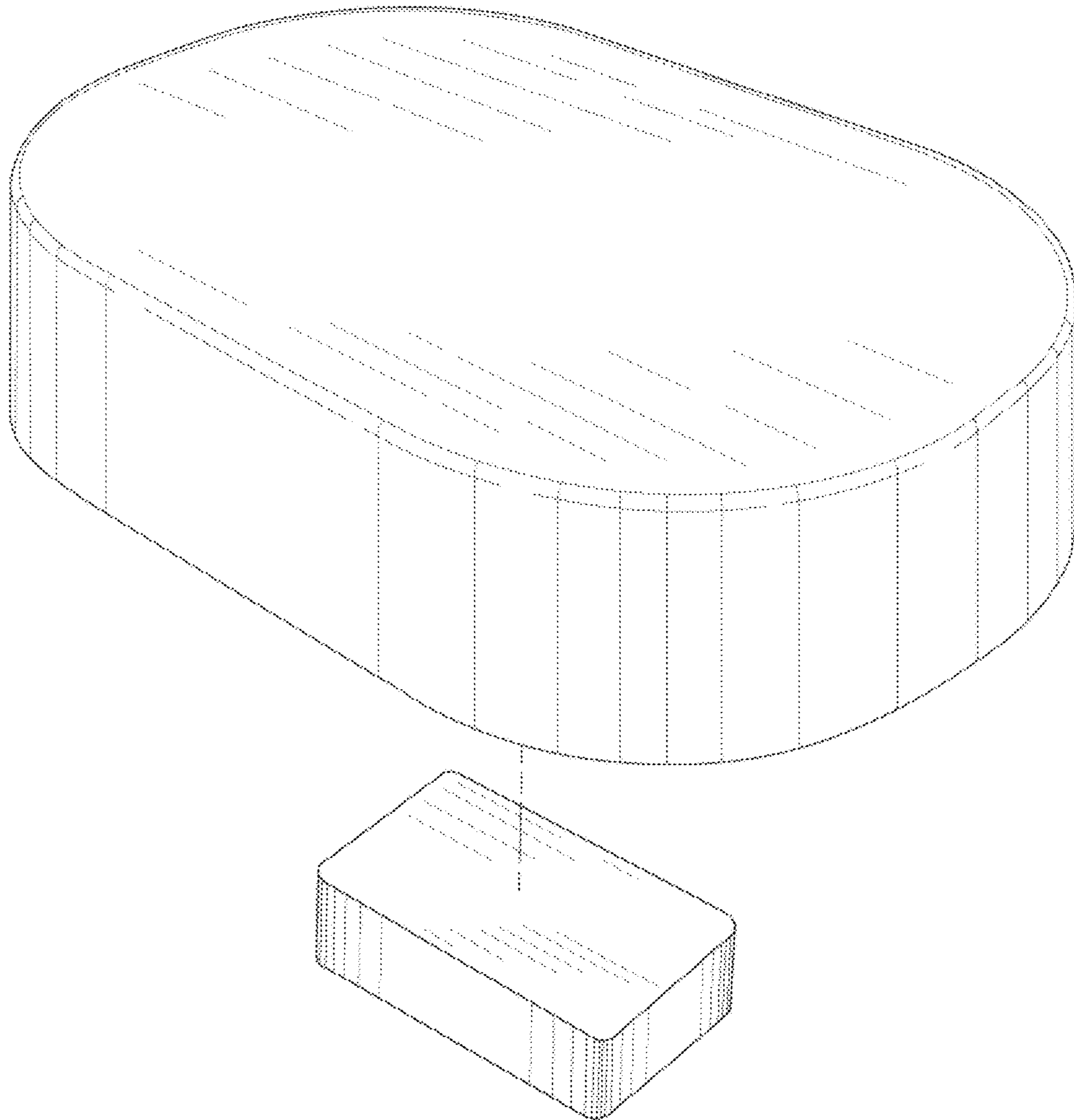


Fig. 10

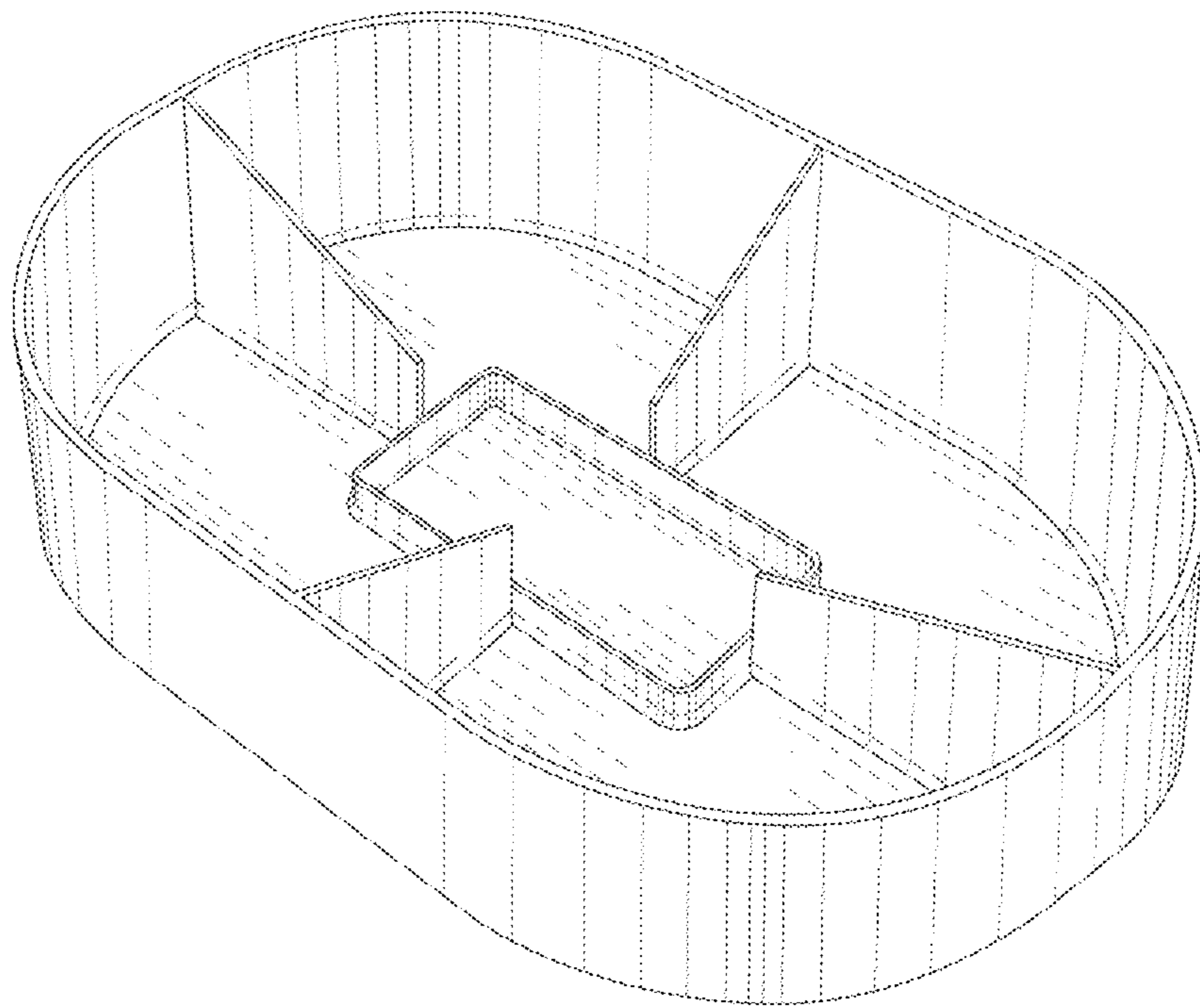


FIG. 11