



US00D793812S

(12) **United States Design Patent** (10) **Patent No.:** **US D793,812 S**  
**Dennis** (45) **Date of Patent:** **\*\* Aug. 8, 2017**

(54) **LEGGED TRAY**  
(71) Applicant: **Gilbert Dennis**, Mansfield, TX (US)  
(72) Inventor: **Gilbert Dennis**, Mansfield, TX (US)  
(73) Assignee: **Gilbert Dennis**, Mansfield, TX (US)  
(\*\*) Term: **15 Years**

D380,379 S \* 7/1997 Lindblom ..... D9/433  
D382,201 S \* 8/1997 Brondyke ..... D9/753  
D428,767 S \* 8/2000 Turner, Jr. .... D7/505  
D440,118 S \* 4/2001 Claffy ..... D7/553.1  
D450,130 S \* 11/2001 Goldstein ..... D24/227  
D467,797 S \* 12/2002 Sullivan ..... D9/761  
D600,504 S \* 9/2009 Clark ..... D7/553.5  
D608,150 S \* 1/2010 Lilly ..... D7/552.1  
D691,856 S \* 10/2013 Dabney-Wiggs ..... D7/553.2  
D732,897 S \* 6/2015 Clark ..... D7/553.2  
D746,637 S \* 1/2016 Mairinger ..... D7/553.2

(21) Appl. No.: **29/558,342**

\* cited by examiner

(22) Filed: **Mar. 16, 2016**

*Primary Examiner* — Kelley Donnelly

(51) **LOC (10) Cl.** ..... **07-01**

(74) *Attorney, Agent, or Firm* — Sinorica, LLC

(52) **U.S. Cl.**  
USPC ..... **D7/553.2**

(57) **CLAIM**

(58) **Field of Classification Search**  
USPC ..... D7/500, 505, 586–587, 545–546, 548,  
D7/550.1, 553.1, 553.2, 601–602;  
D3/304, 307, 314, 414  
CPC ..... B65D 1/34; B65D 21/00; B65D 21/0209;  
B65D 1/00; A47B 23/002  
See application file for complete search history.

The ornamental design for a legged tray, as shown and described.

**DESCRIPTION**

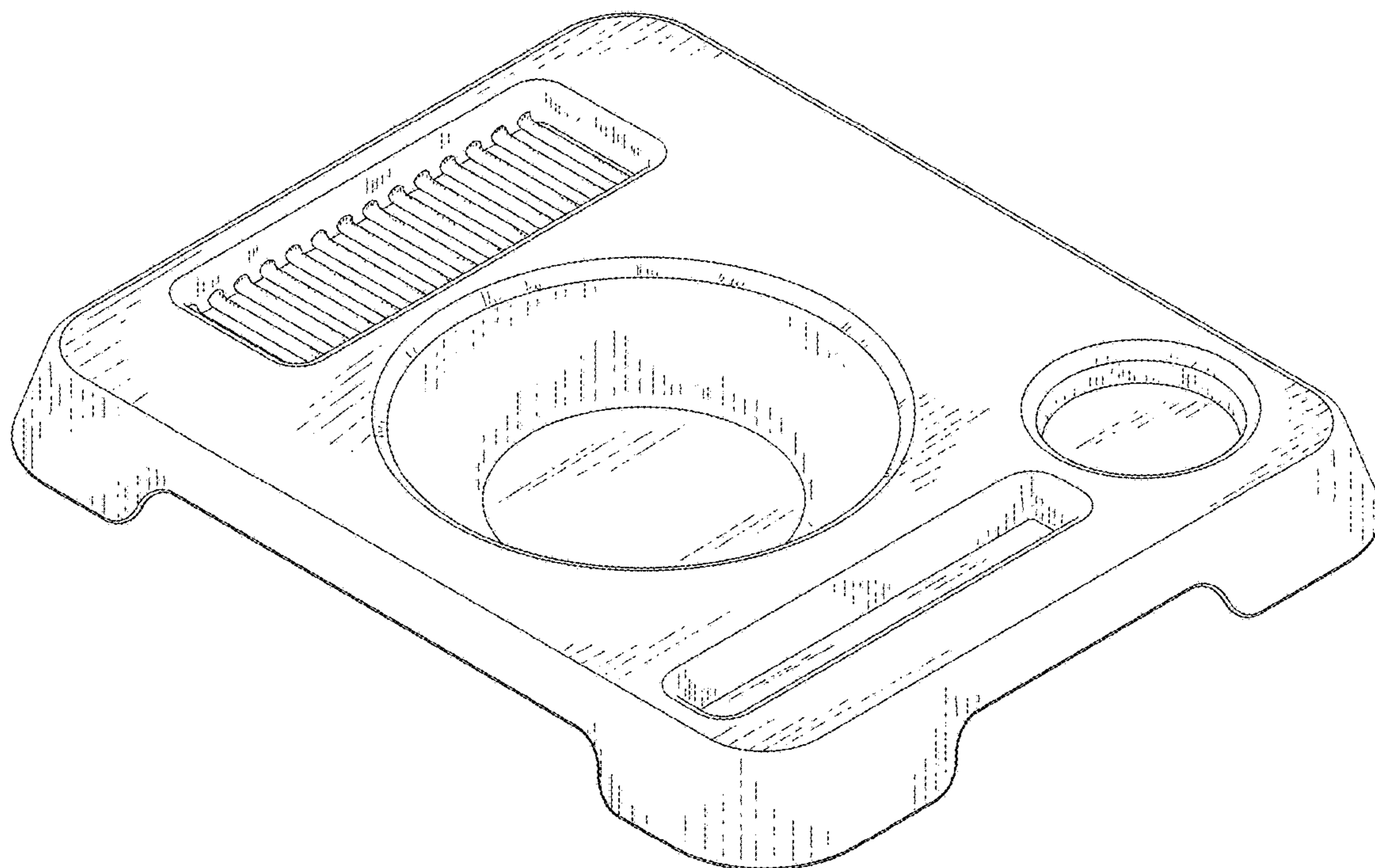
(56) **References Cited**

FIG. 1 is a perspective view of a legged tray showing my new design;  
FIG. 2 is a bottom perspective view thereof;  
FIG. 3 is a front elevational view thereof;  
FIG. 4 is a rear elevational view thereof;  
FIG. 5 is a left side elevational view thereof;  
FIG. 6 is a right side elevational view thereof;  
FIG. 7 is a bottom plan view thereof; and,  
FIG. 8 is a top plan view thereof.

**U.S. PATENT DOCUMENTS**

3,608,770 A \* 9/1971 Naimoli ..... B65D 1/36  
206/545  
D320,909 S \* 10/1991 Szablak ..... D30/133  
D333,237 S \* 2/1993 Plaut ..... D7/549

**1 Claim, 8 Drawing Sheets**



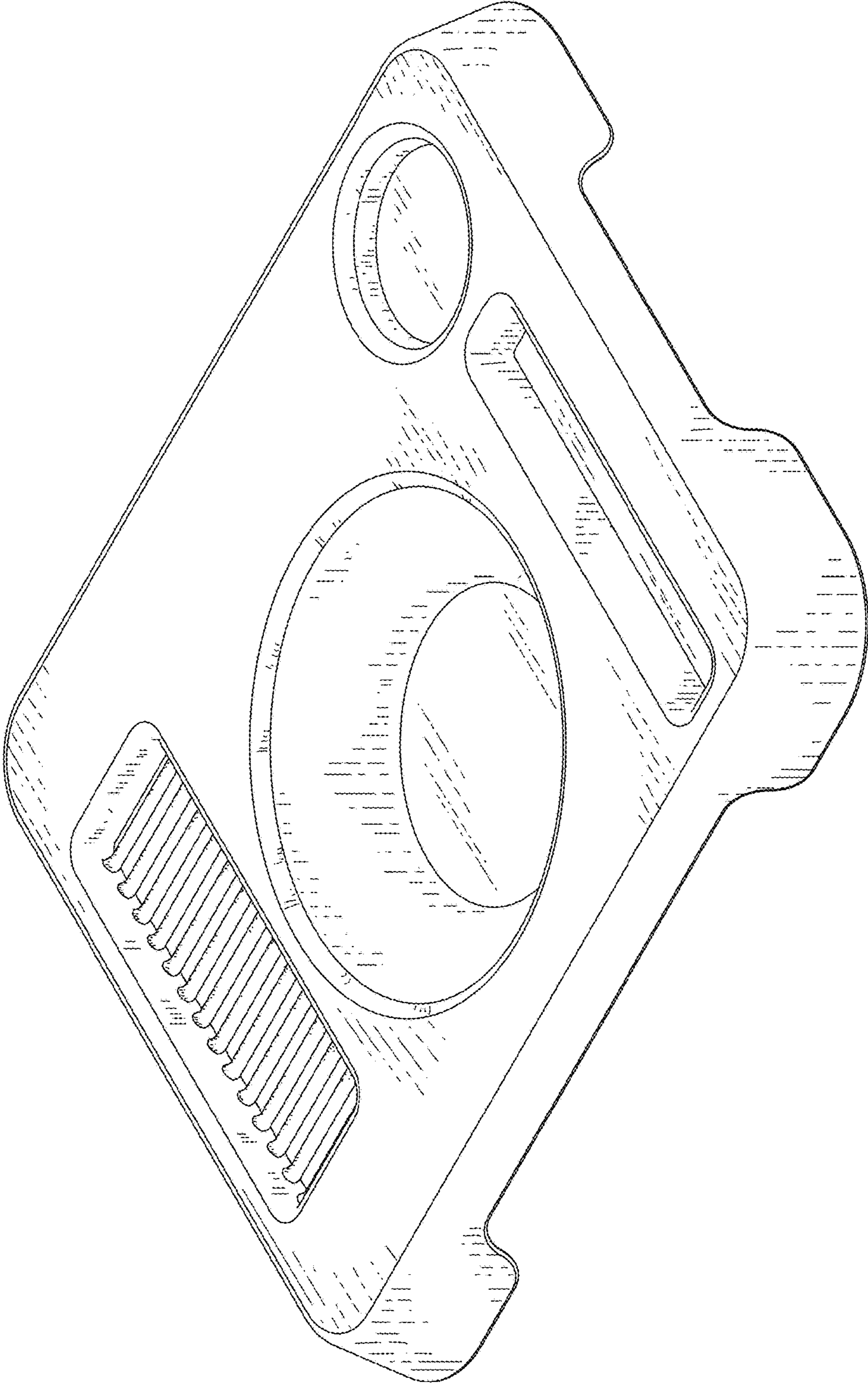


FIG. 1

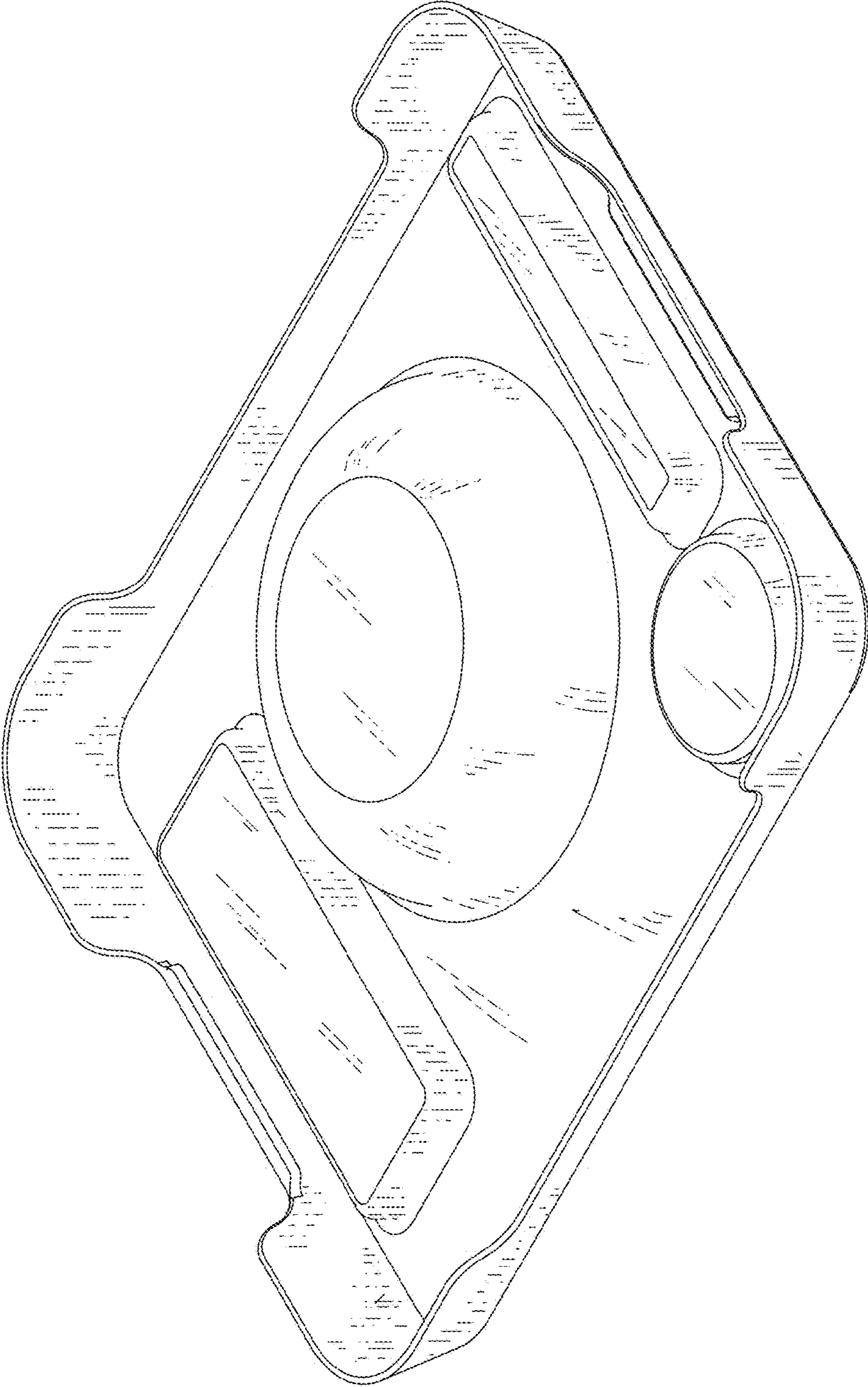


FIG. 2

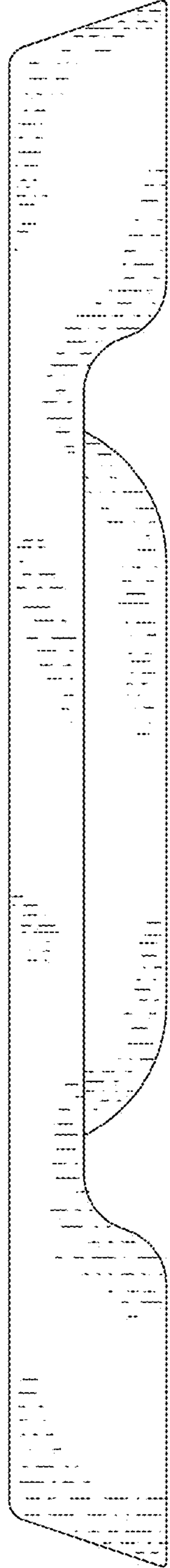


FIG. 3

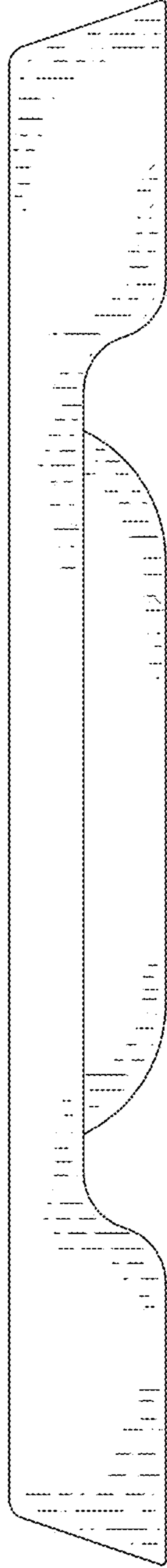


FIG. 4

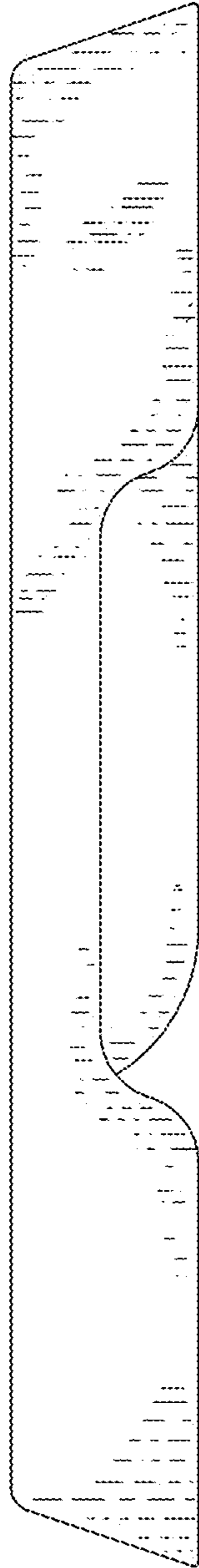


FIG. 5

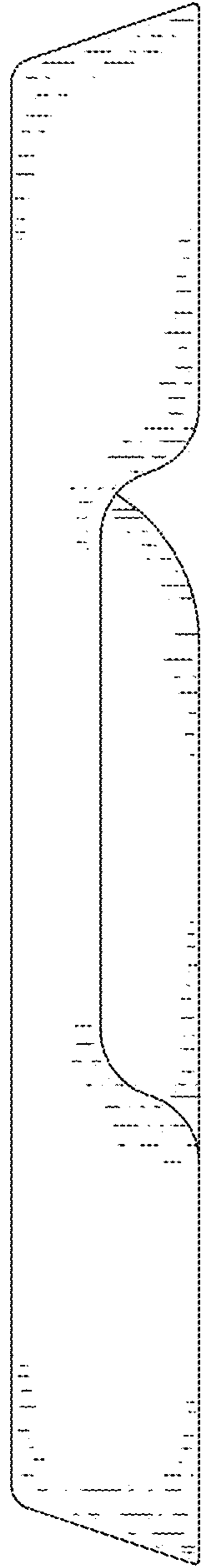


FIG. 6

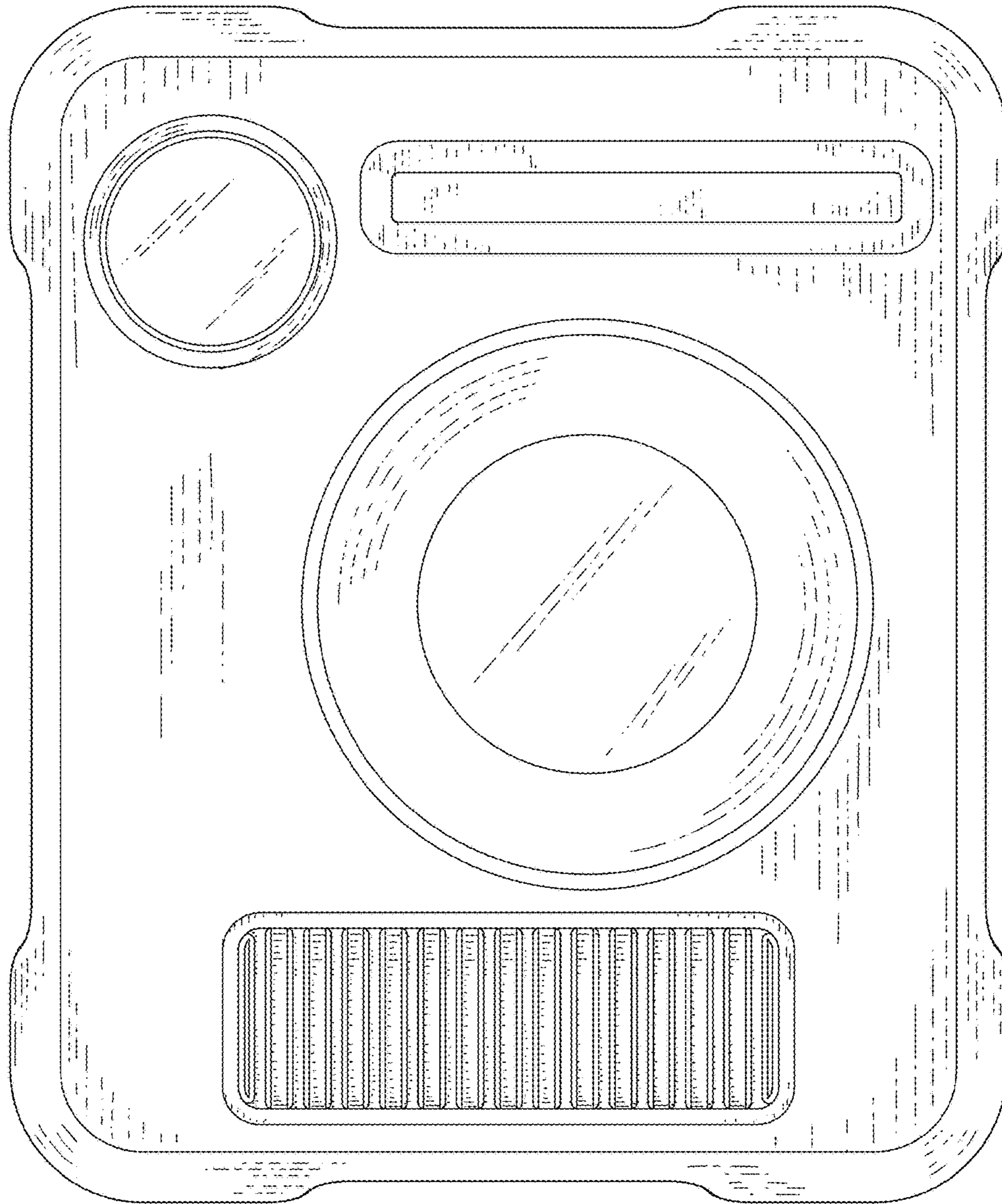


FIG. 7



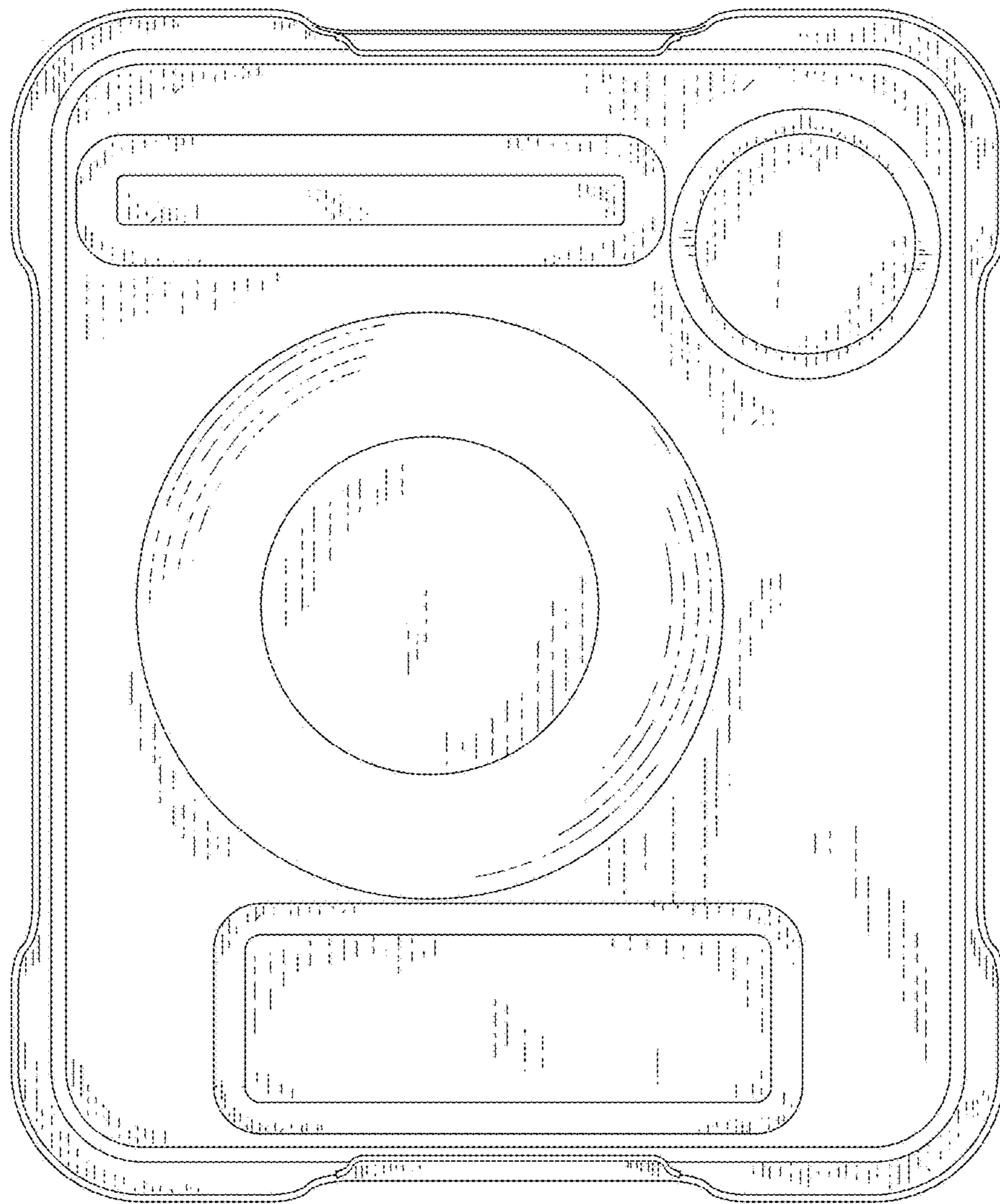


FIG. 8