



US00D793811S

(12) **United States Design Patent** (10) **Patent No.:** **US D793,811 S**
Ng (45) **Date of Patent:** **** Aug. 8, 2017**

(54) **HINGED CLAMSHELL FOOD CONTAINER**

D749,412 S * 2/2016 Hu D9/426
D752,430 S * 3/2016 Stevenson D9/425
D756,770 S * 5/2016 Snedden D9/425

(71) Applicant: **Tsing Kou Ng**, San Francisco, CA (US)

(Continued)

(72) Inventor: **Tsing Kou Ng**, San Francisco, CA (US)

(**) Term: **15 Years**

(21) Appl. No.: **29/548,172**

(22) Filed: **Dec. 10, 2015**

(51) **LOC (10) Cl.** **07-01**

(52) **U.S. Cl.**
USPC **D7/540**

(58) **Field of Classification Search**
USPC D7/538, 500, 505, 539, 543, 57, 581,
D7/629, 540; D9/425, 424, 428, 426;
220/810, 270
CPC A47G 21/001; B65D 43/162; B65D
43/0249; B65D 43/26
See application file for complete search history.

(56) **References Cited**

U.S. PATENT DOCUMENTS

5,515,993 A * 5/1996 McManus B65D 43/162
206/508
D536,992 S * 2/2007 Garg D9/425
D601,014 S * 9/2009 Petitjean D9/426
D640,548 S * 6/2011 Lawrence D9/430
D668,537 S * 10/2012 Sanfilippo D9/423
D668,950 S * 10/2012 Sanfilippo D9/423
D675,517 S * 2/2013 Garza D9/424
D680,860 S 4/2013 Schuller et al.
D681,447 S * 5/2013 Schuller D9/420
D683,623 S * 6/2013 Chen D9/423
D686,064 S * 7/2013 Garza D9/424
D694,619 S * 12/2013 Pham D9/426
D697,795 S * 1/2014 Garza D9/424
9,120,595 B2 * 9/2015 Chou B65D 17/24
9,132,942 B2 * 9/2015 Nikaein B65D 43/0249
9,187,209 B1 * 11/2015 Hanna B65D 43/162

OTHER PUBLICATIONS

IDS filed on Nov. 26, 2012 in connection with Design U.S. Pat. No. D680,860, containing the NPL references cited therein.

Primary Examiner — Cynthia Underwood

(74) *Attorney, Agent, or Firm* — Fulwider Patton LLP

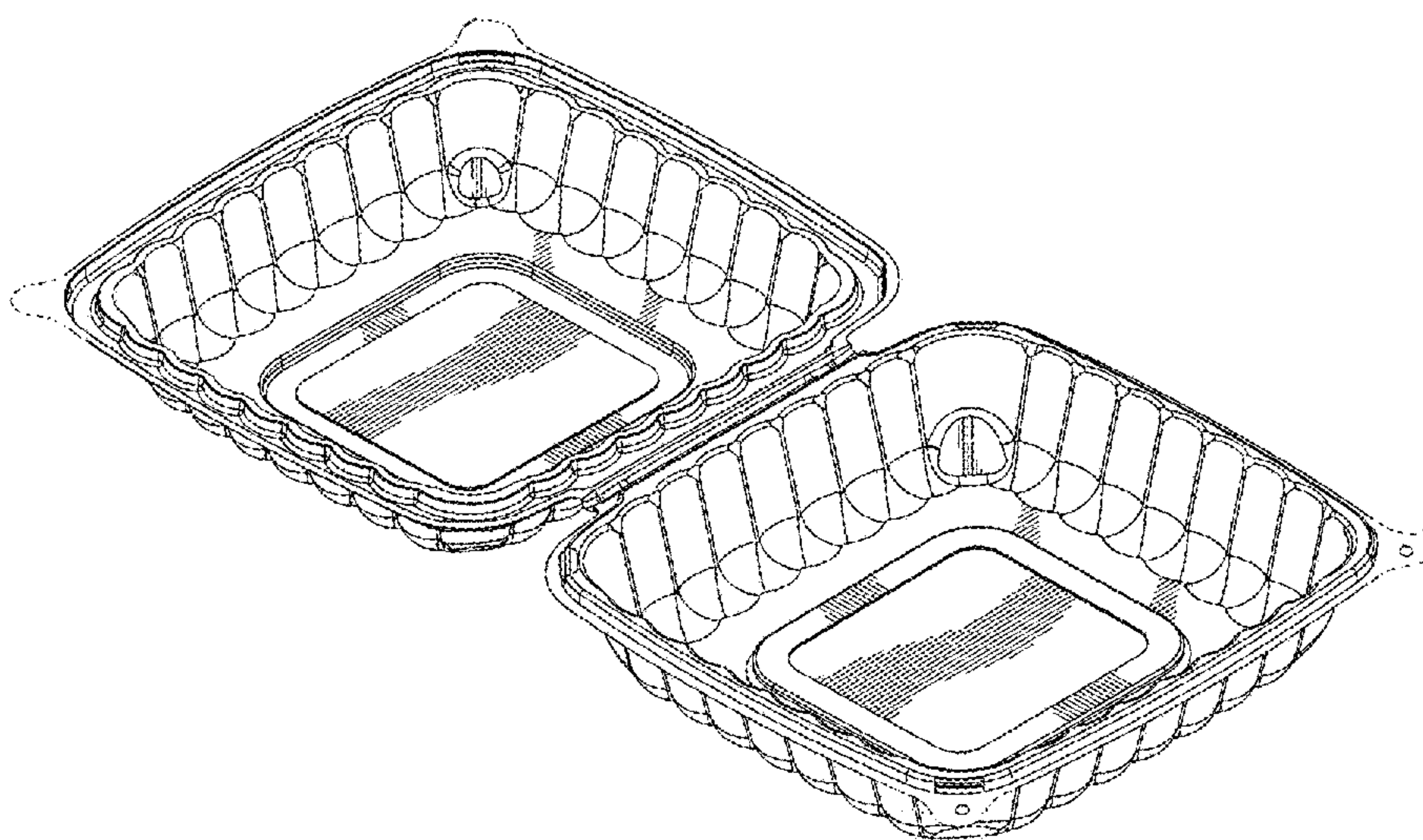
(57) **CLAIM**

The ornamental design for a hinged clamshell food container, as shown and described.

DESCRIPTION

FIG. 1 is a perspective view of the interior of an embodiment of the hinged clamshell food container in an open condition; FIG. 2 is a perspective view of the exterior of an embodiment of the hinged clamshell food container in an open condition; FIG. 3 is a left side view of the exterior of an embodiment of the hinged clamshell food container in an open condition; FIG. 4 is a right side view of the exterior of an embodiment of the hinged clamshell food container in an open condition; FIG. 5 is a rear view of the exterior of an embodiment of the hinged clamshell food container in an open condition; FIG. 6 is a front view of the exterior of an embodiment of the hinged clamshell food container in an open condition; FIG. 7 is a bottom view of the exterior of an embodiment of the hinged clamshell food container in an open condition; and, FIG. 8 is a top view of the exterior of an embodiment of the hinged clamshell food container in an open condition; The broken lines represent portions of the structure that form no part of the claim.

1 Claim, 6 Drawing Sheets



(56)

References Cited

U.S. PATENT DOCUMENTS

D764,276 S * 8/2016 Das D9/425
D778,115 S * 2/2017 Strachan D7/553.1
D778,155 S * 2/2017 Strachan D7/555
D778,722 S * 2/2017 Strachan D9/432
2005/0247709 A1* 11/2005 Atkins B65D 1/36
220/4.23
2006/0081641 A1* 4/2006 Habeger B65D 21/0219
220/839
2007/0045317 A1* 3/2007 Rosender B65D 43/0249
220/266
2010/0072217 A1* 3/2010 Parikh B65D 55/024
220/833
2011/0000929 A1* 1/2011 Brown B65D 43/162
220/810
2011/0139785 A1* 6/2011 Strange B65D 43/162
220/283
2012/0031921 A1* 2/2012 Cadiente B65D 43/162
220/835

* cited by examiner

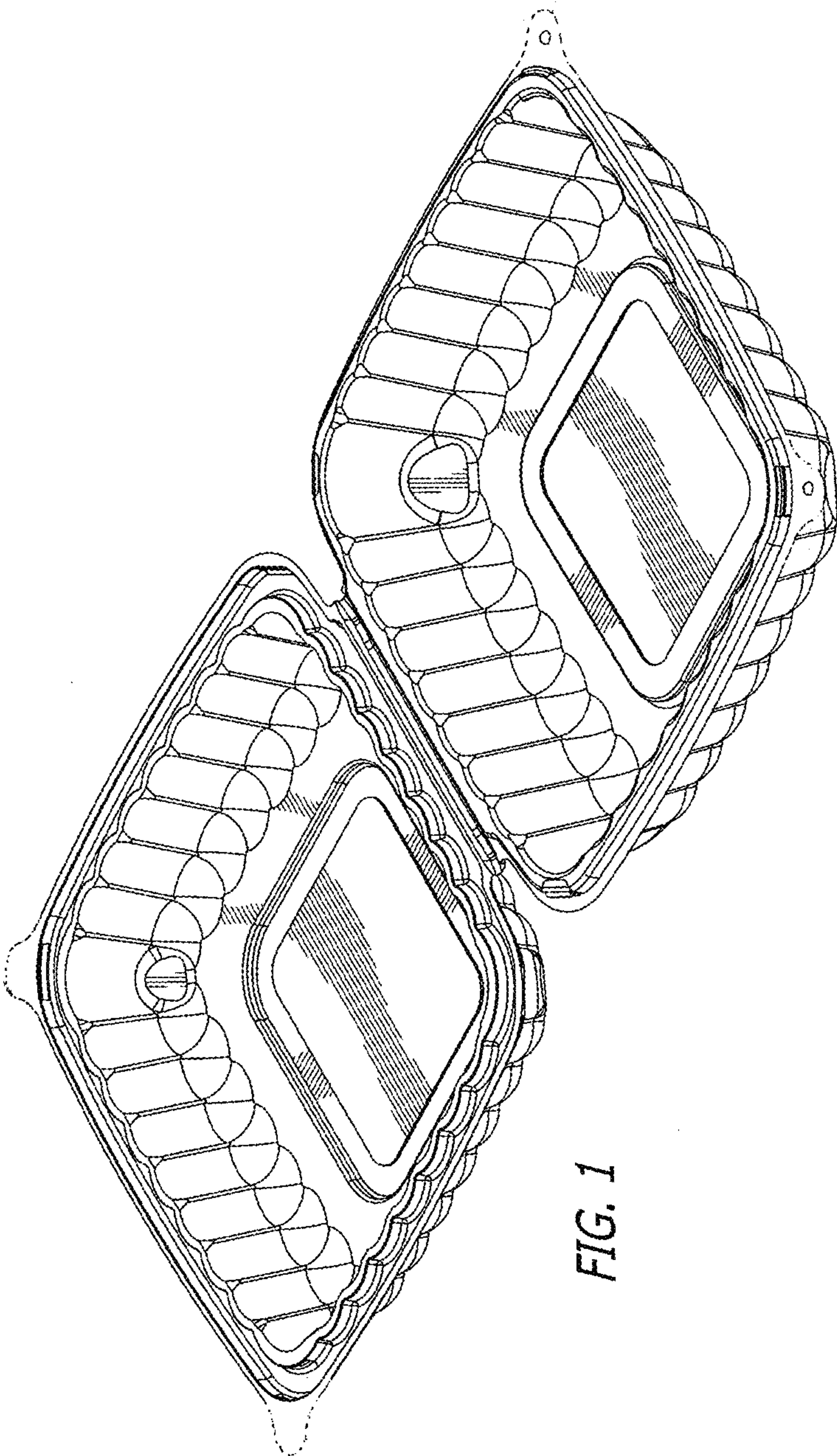


FIG. 1

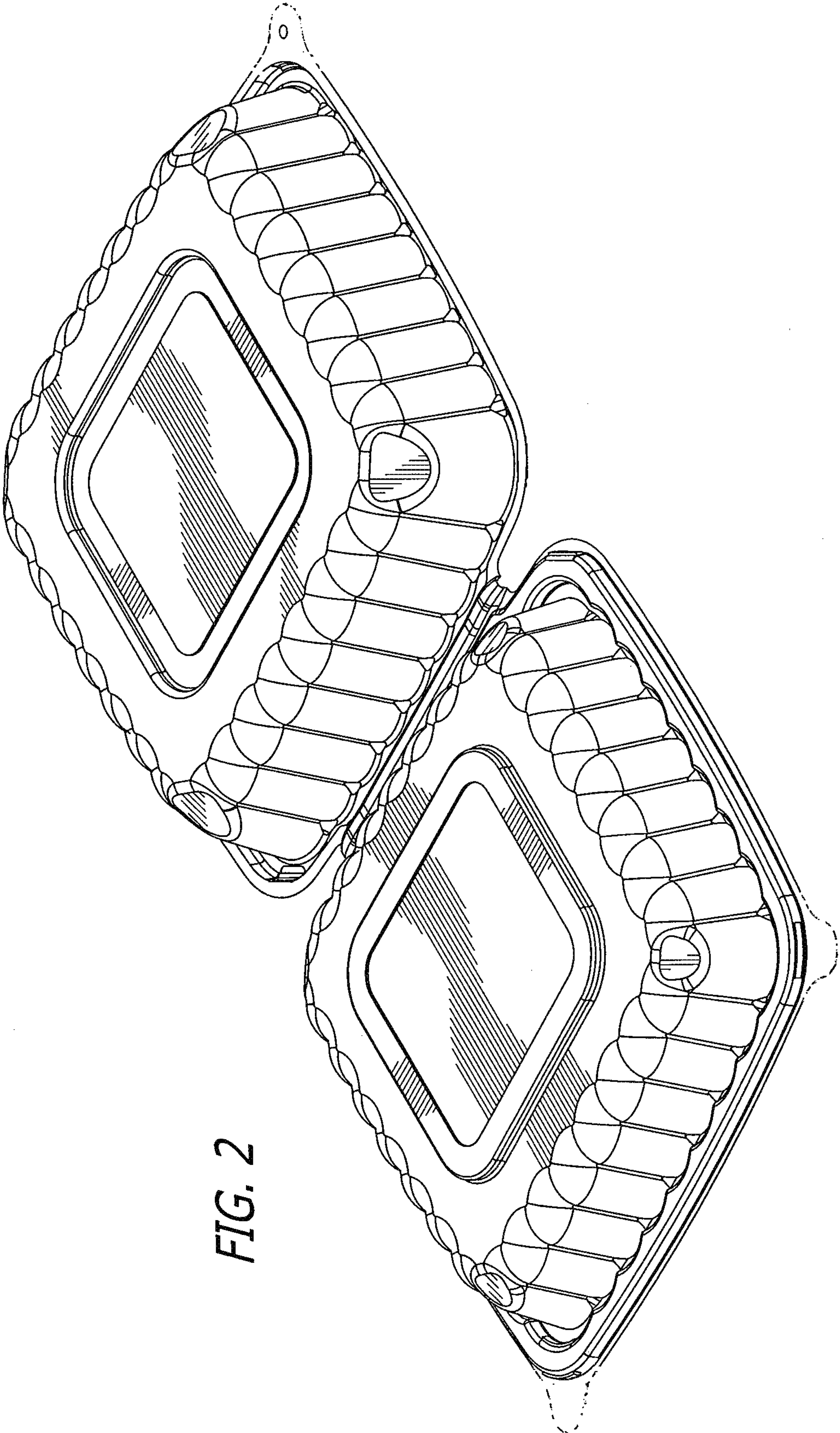


FIG. 2

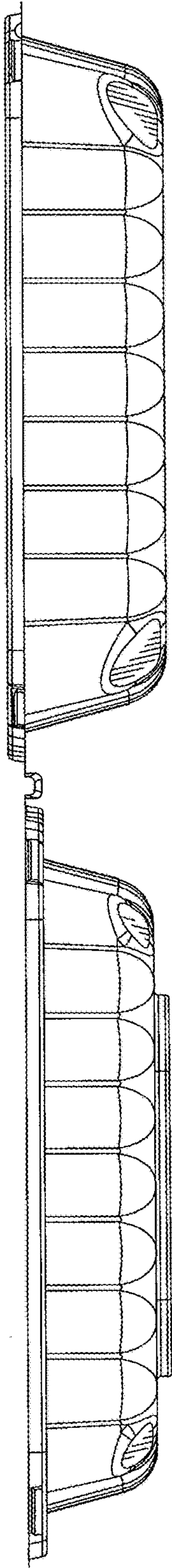


FIG. 3

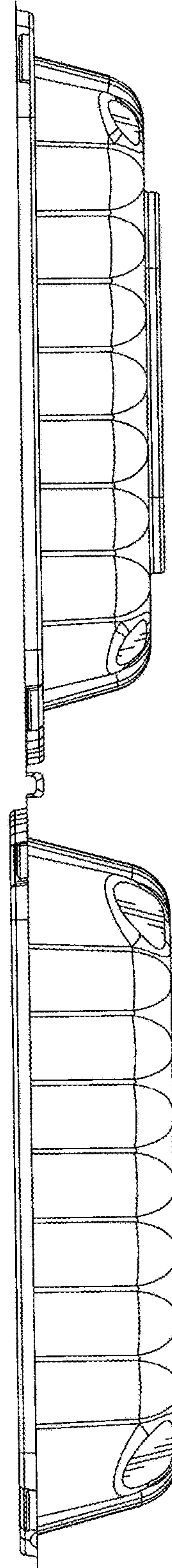


FIG. 4

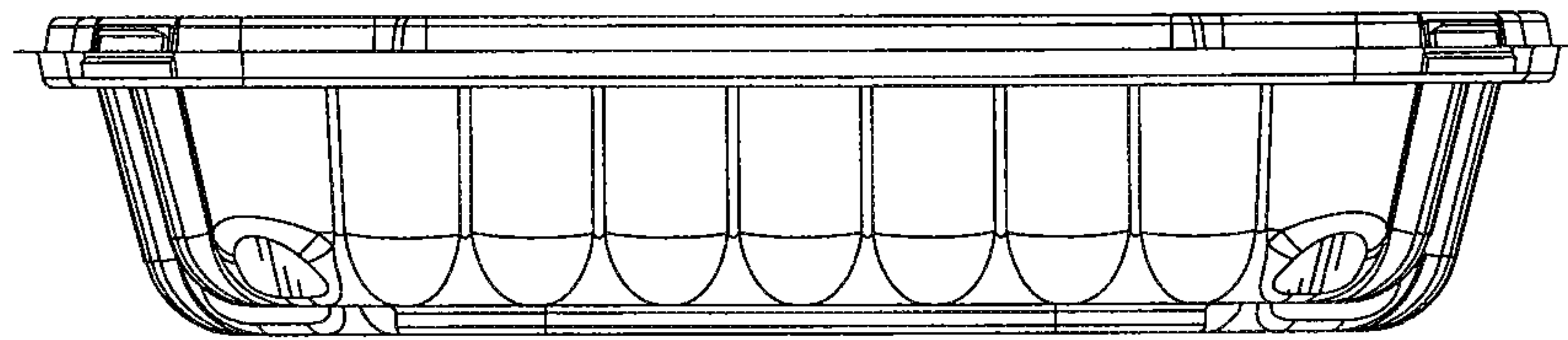


FIG. 5

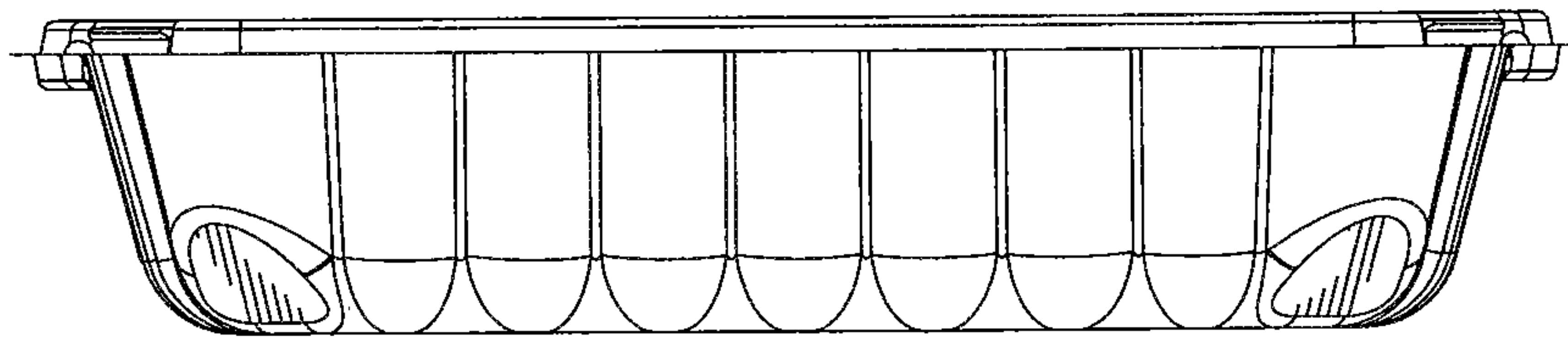


FIG. 6

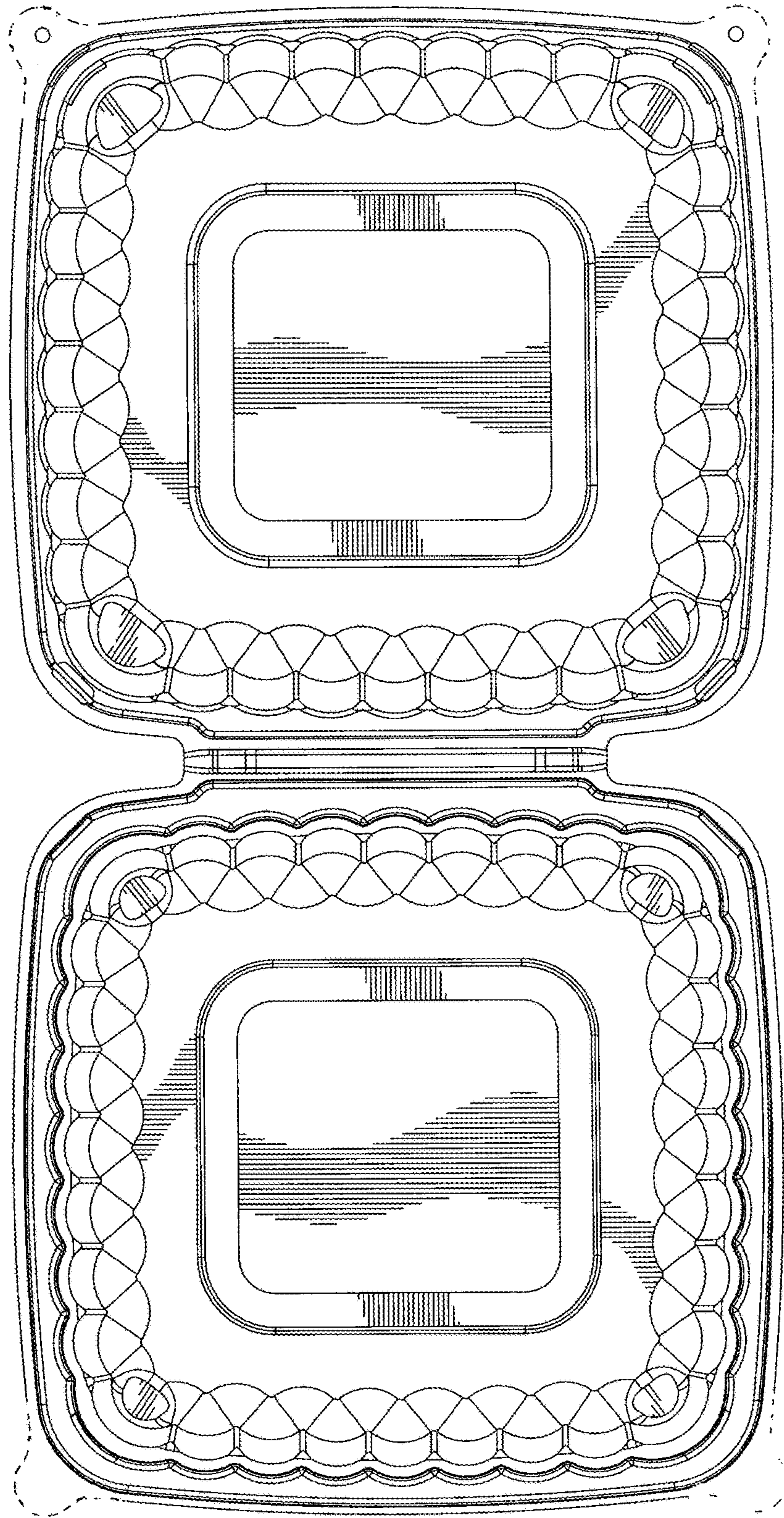


FIG. 7

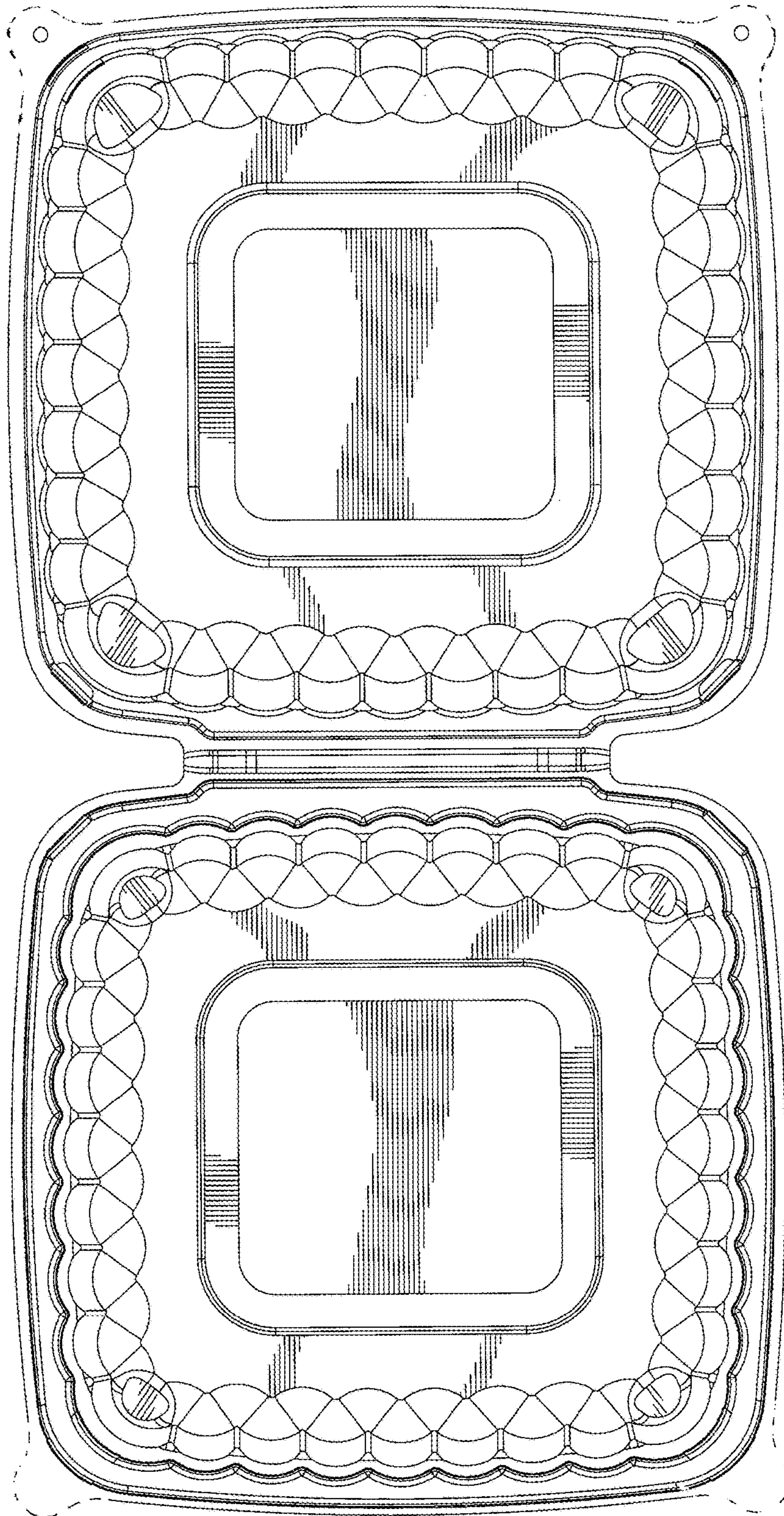


FIG. 8