



US00D793809S

(12) **United States Design Patent**
Bodum

(10) **Patent No.:** **US D793,809 S**

(45) **Date of Patent:** **** Aug. 8, 2017**

(54) **TUMBLER**

(71) Applicant: **PI-Design AG**, Triengen (CH)

(72) Inventor: **Jorgen Bodum**, Meggen (CH)

(73) Assignee: **PI-Design AG**, Triengen (CH)

(**) Term: **15 Years**

(21) Appl. No.: **29/505,432**

(22) Filed: **Jun. 8, 2015**

(30) **Foreign Application Priority Data**

Dec. 11, 2014 (WO) DM/085091

(51) **LOC (10) Cl.** **07-01**

(52) **U.S. Cl.**

USPC **D7/523**; D7/532; D7/509

(58) **Field of Classification Search**

USPC D7/507, 509, 523, 524, 525, 526, 527,
D7/528, 530, 531, 532, 533, 536, 537,
D7/503, 510, 514, 515, 512, 608;
220/592.16, 502.17, 495.03, 740;
D3/202; D30/130, 121; 206/307, 217,
206/509; D9/424

CPC A47G 19/22; A47G 19/2205; A47G
19/2227; A47G 23/0233; A45F 3/20;
B65D 1/265

See application file for complete search history.

(56) **References Cited**

U.S. PATENT DOCUMENTS

723,796 A * 3/1903 Williams B65D 81/3869
220/568
2,051,446 A * 8/1936 Ice A47G 19/2288
215/12.1
3,269,144 A * 8/1966 Paris F25D 3/00
62/457.3
3,471,075 A * 10/1969 Wolf B65D 1/265
206/519

3,769,056 A * 10/1973 Sincock B05D 1/32
264/130
3,810,557 A * 5/1974 Cline A47G 19/2288
215/12.1
4,096,947 A * 6/1978 Morse B65D 85/816
206/217
4,193,494 A * 3/1980 Green B65D 85/816
206/217
4,312,889 A * 1/1982 Melsheimer A23L 2/395
206/217
D265,372 S * 7/1982 Groenewold D7/523
(Continued)

OTHER PUBLICATIONS

Select portions of Bodum Collection Catalogue, Jan. 2015, 5 pages.

Primary Examiner — Marianne Pandozzi

Assistant Examiner — Jae Liang

(74) *Attorney, Agent, or Firm* — McDonnell Boehnen
Hulbert & Berghoff LLP

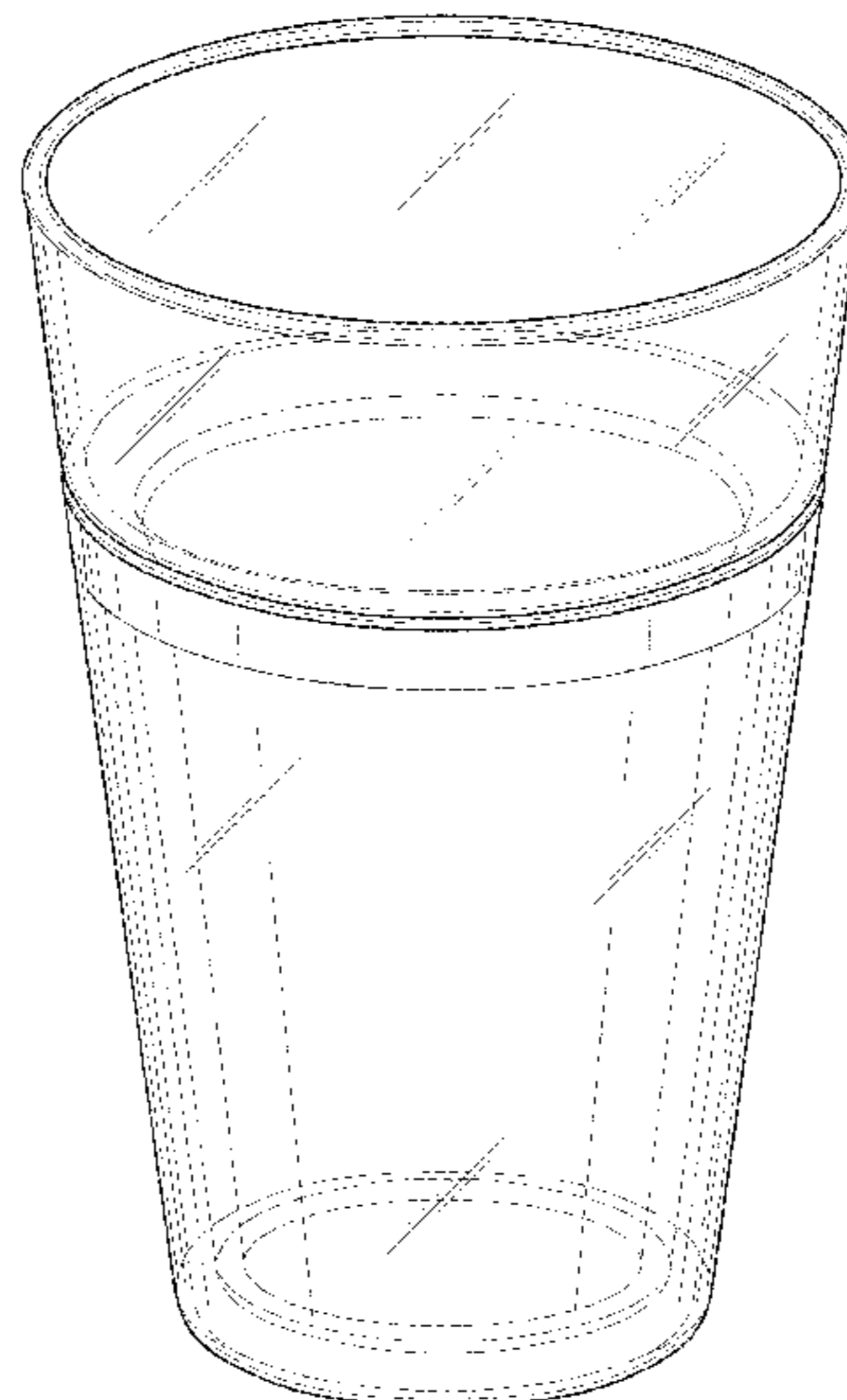
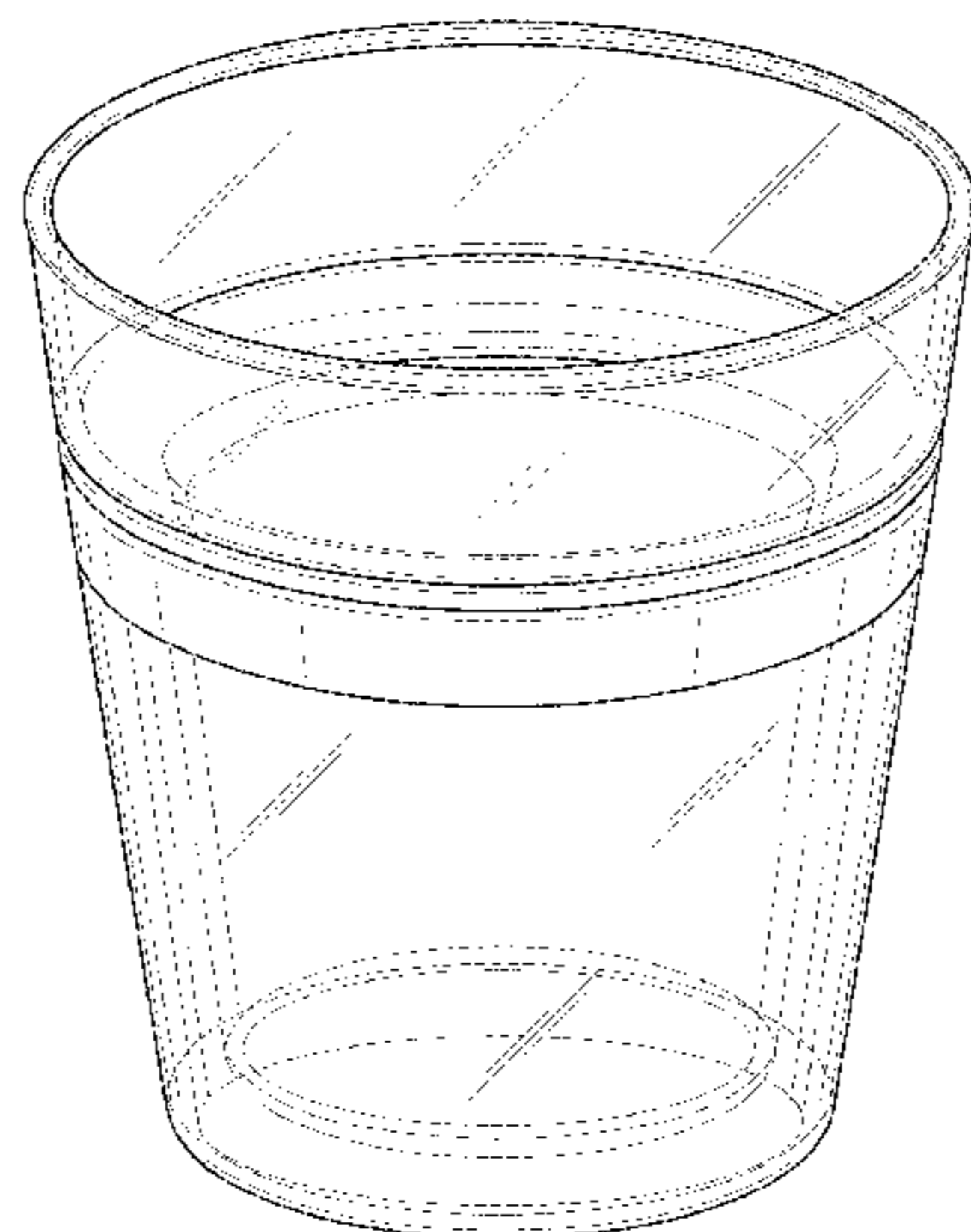
(57) **CLAIM**

The ornamental design for a tumbler, as shown and described.

DESCRIPTION

FIG. 1 is a perspective view of a first embodiment of a tumbler showing my new design;
FIG. 2 is a front view thereof; the right side, left side and rear views are identical;
FIG. 3 is a top view thereof;
FIG. 4 is a bottom view thereof;
FIG. 5 is a perspective view of a second embodiment of a tumbler;
FIG. 6 is a front view thereof; the right side, left side and rear views are identical;
FIG. 7 is a top view thereof; and,
FIG. 8 is a bottom view thereof.

1 Claim, 6 Drawing Sheets



(56)

References Cited

U.S. PATENT DOCUMENTS

4,420,081 A * 12/1983 Dart B65D 1/265
 206/519
 D281,296 S * 11/1985 Umanoff D6/677.3
 D282,134 S * 1/1986 Durand D7/523
 5,076,463 A * 12/1991 McGraw A47G 19/2288
 126/400
 D335,382 S * 5/1993 O'Brien D7/509
 5,938,015 A * 8/1999 Candy B65D 51/246
 206/217
 D448,241 S * 9/2001 Morris, Jr. D7/507
 D536,579 S * 2/2007 Roth B65D 81/3205
 D7/523
 D553,437 S * 10/2007 Bodum D7/509
 D553,909 S * 10/2007 Bodum D7/500
 D566,471 S * 4/2008 Bodum D7/500
 D568,103 S * 5/2008 Bodum D7/509
 D568,685 S * 5/2008 Bodum D7/500
 D577,253 S * 9/2008 Bodum D7/399
 D581,738 S * 12/2008 Bodum D7/509
 D599,619 S * 9/2009 Bodum D7/509
 D670,836 S * 11/2012 Hisey 26/22
 D682,035 S * 5/2013 Monugian D7/523
 D694,112 S * 11/2013 Brown D9/428
 D754,478 S * 4/2016 Kushner D10/44
 D757,497 S * 5/2016 Bodum D7/509
 D758,802 S * 6/2016 Bodum D7/523
 D766,661 S * 9/2016 Bodum D7/523
 D772,653 S * 11/2016 Miller D7/523
 D774,827 S * 12/2016 Miller D7/507

* cited by examiner

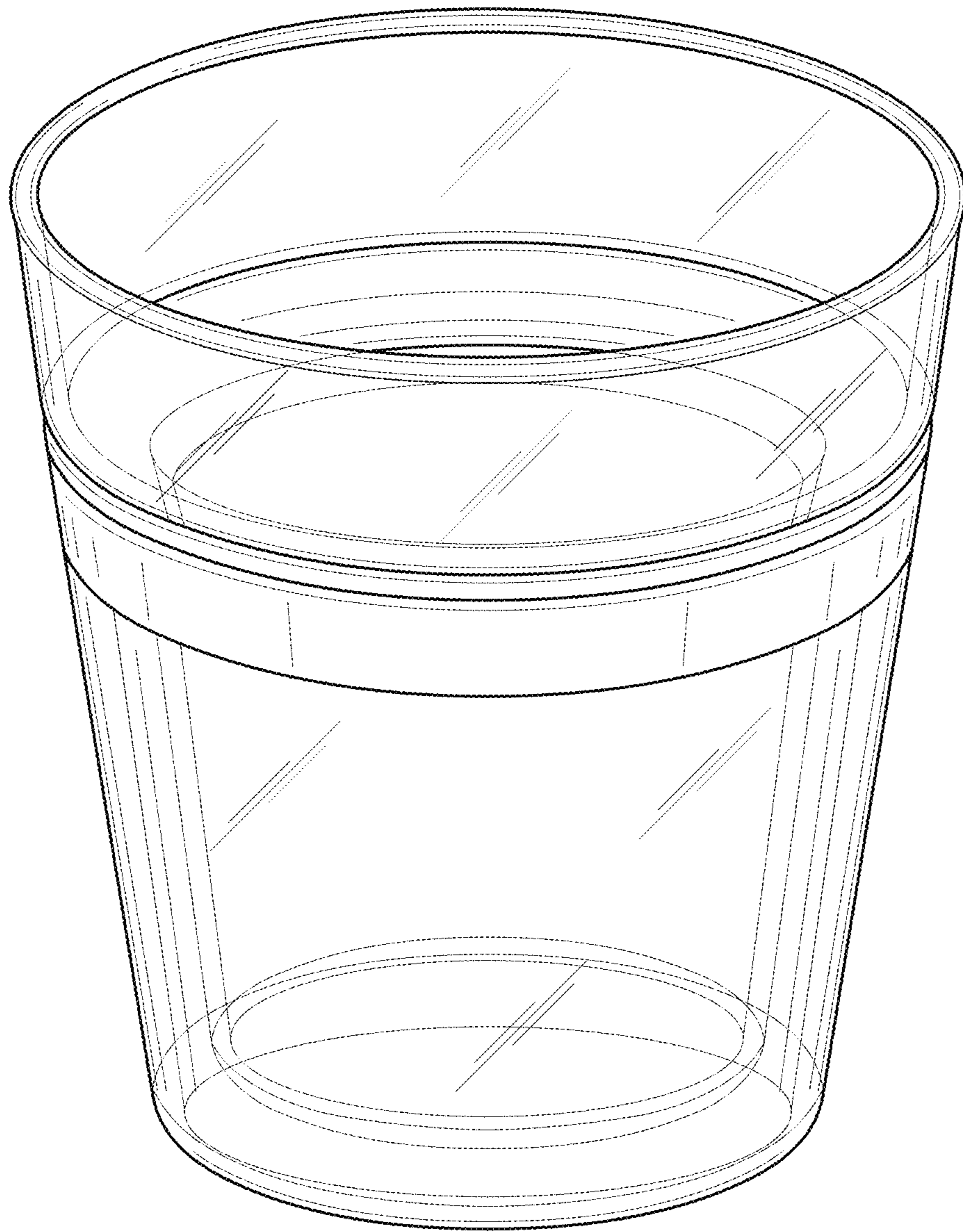


FIG. 1

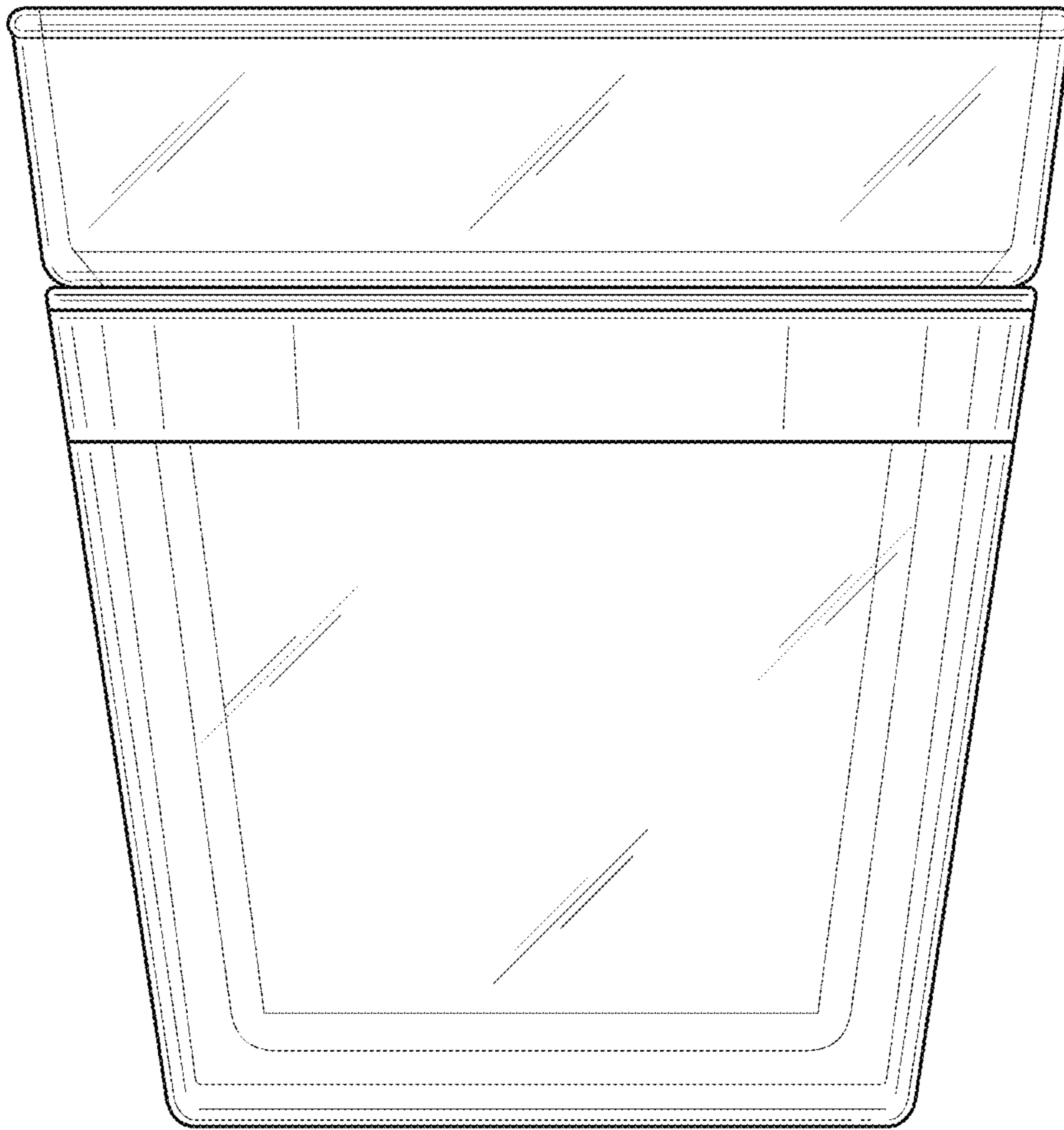


FIG. 2

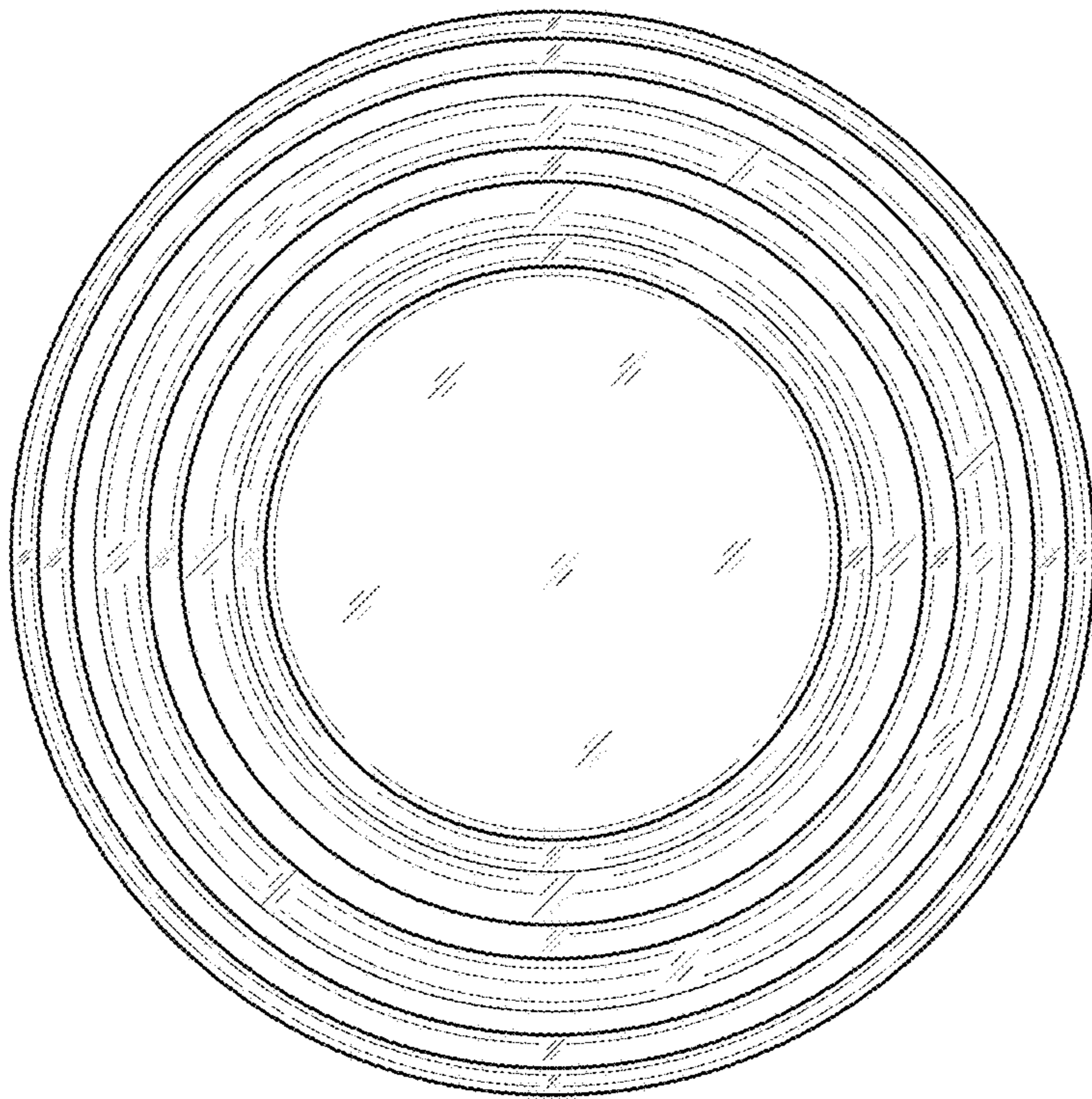


FIG. 3

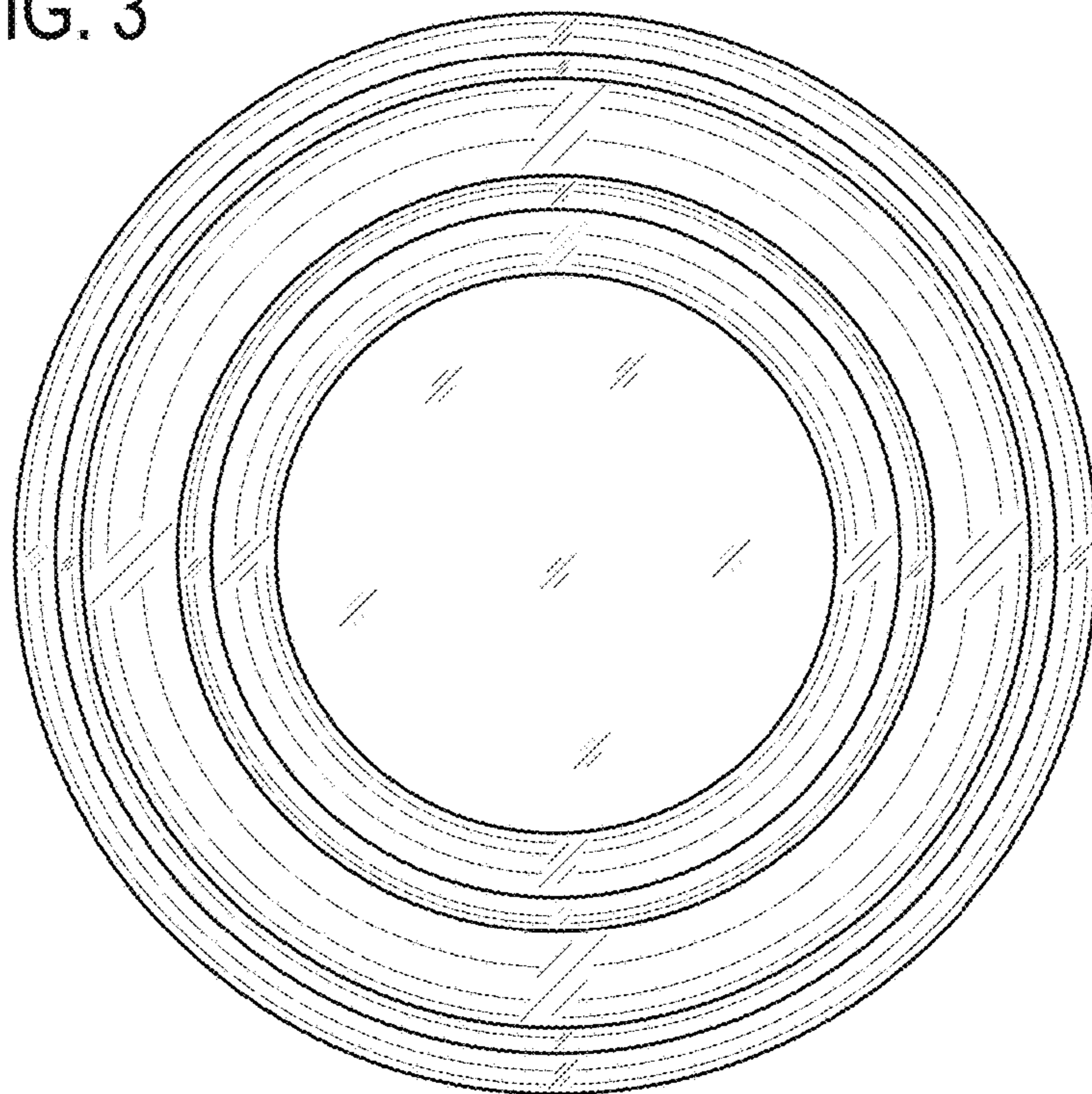


FIG. 4

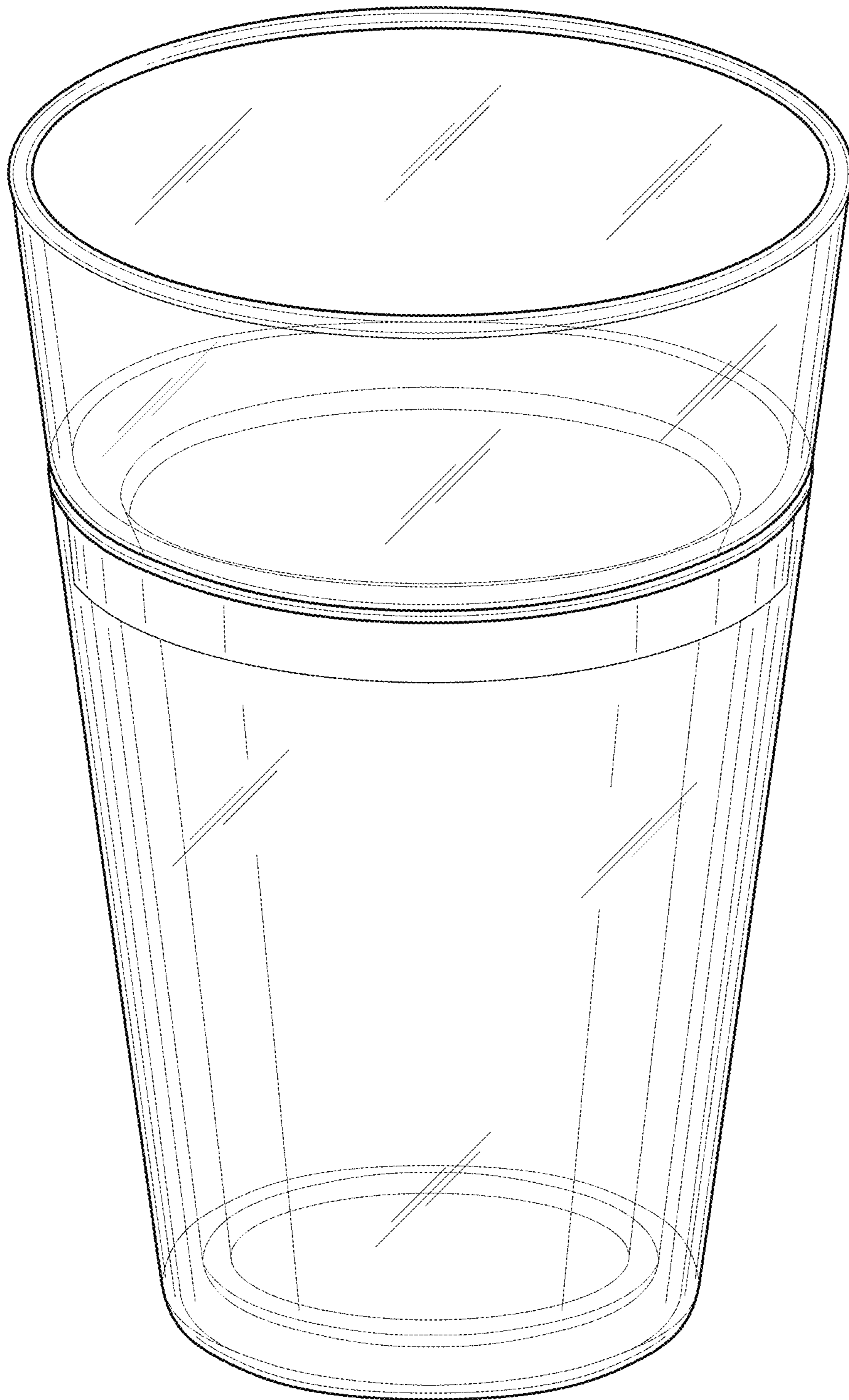


FIG. 5

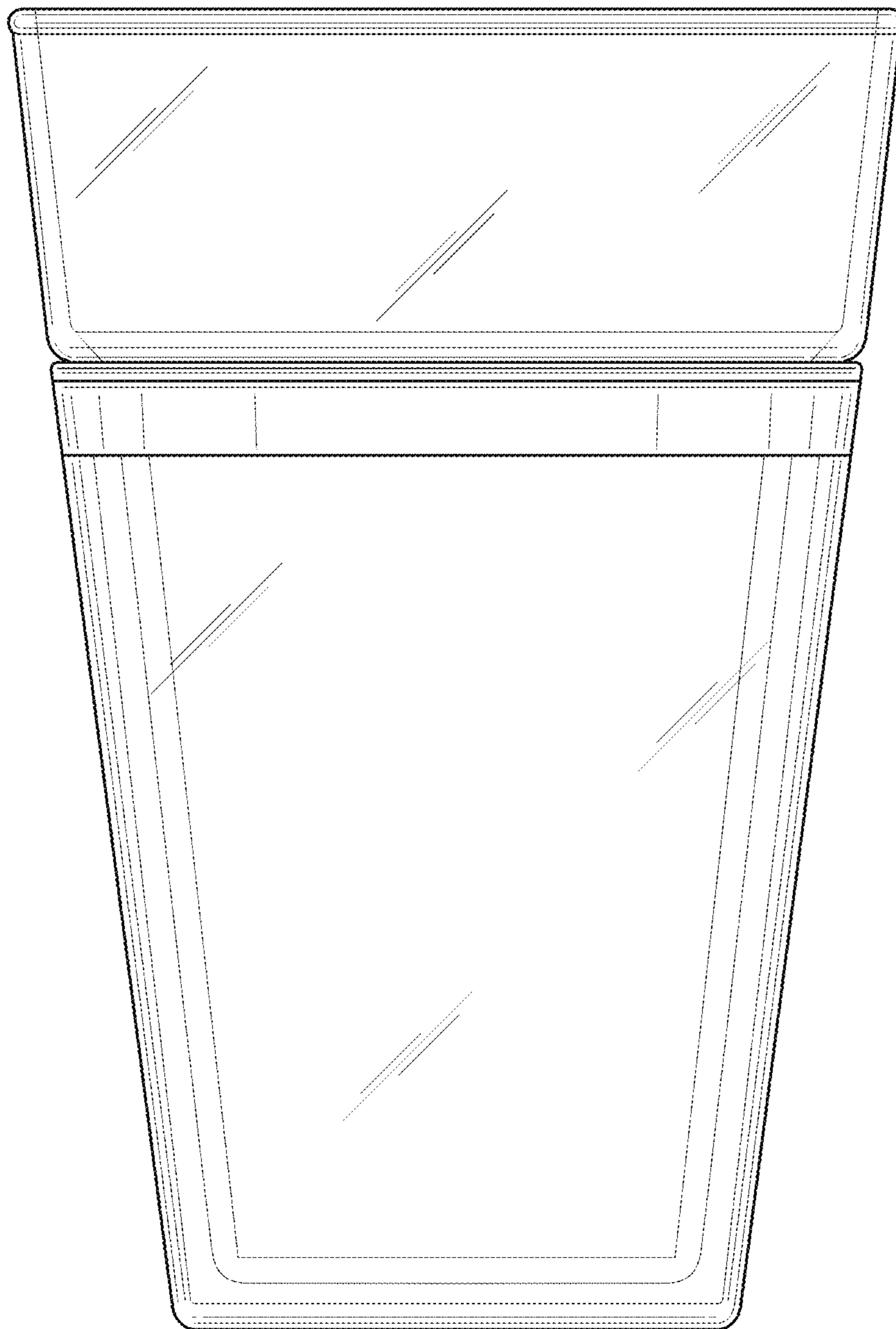


FIG. 6

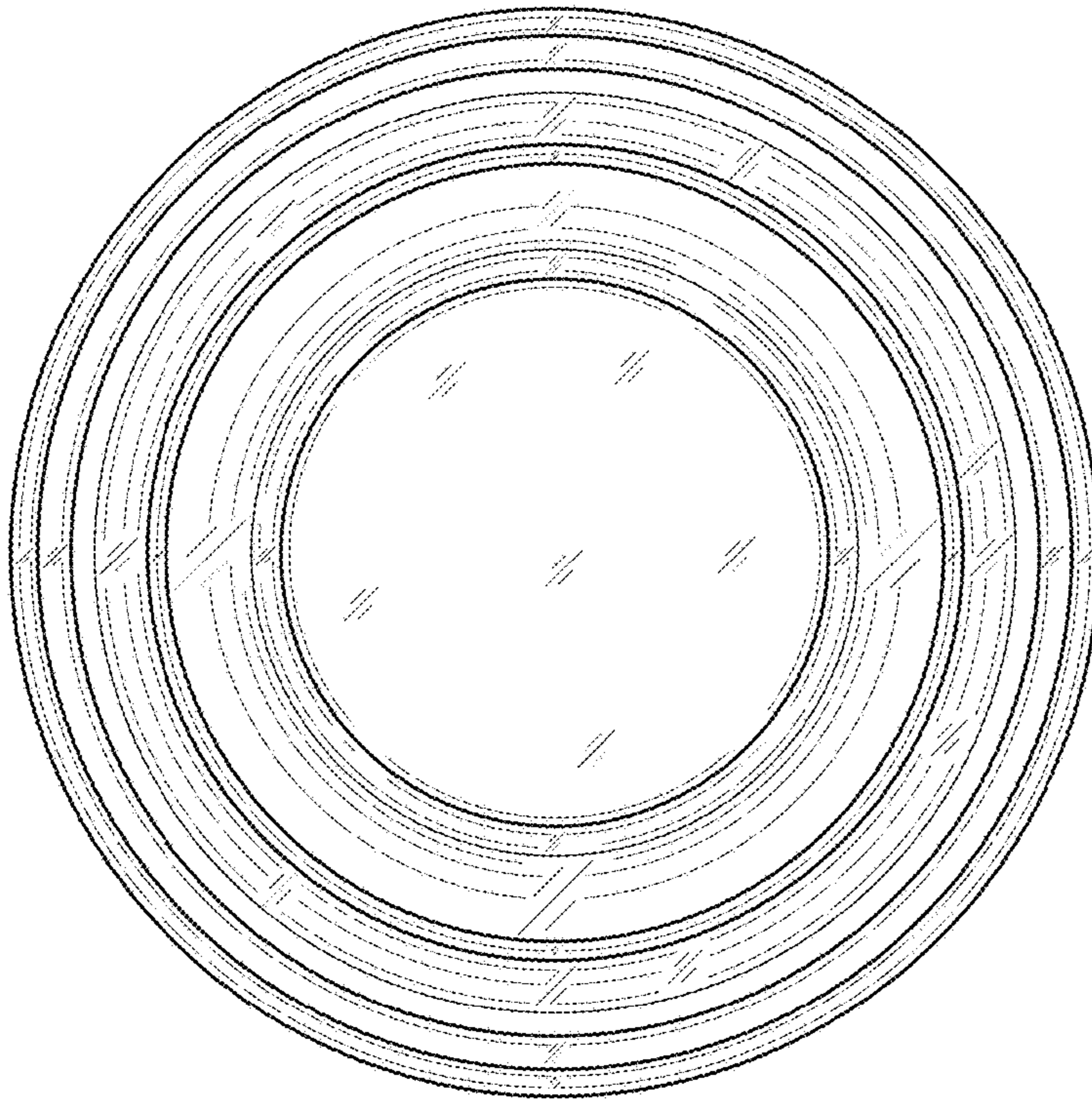


FIG. 7

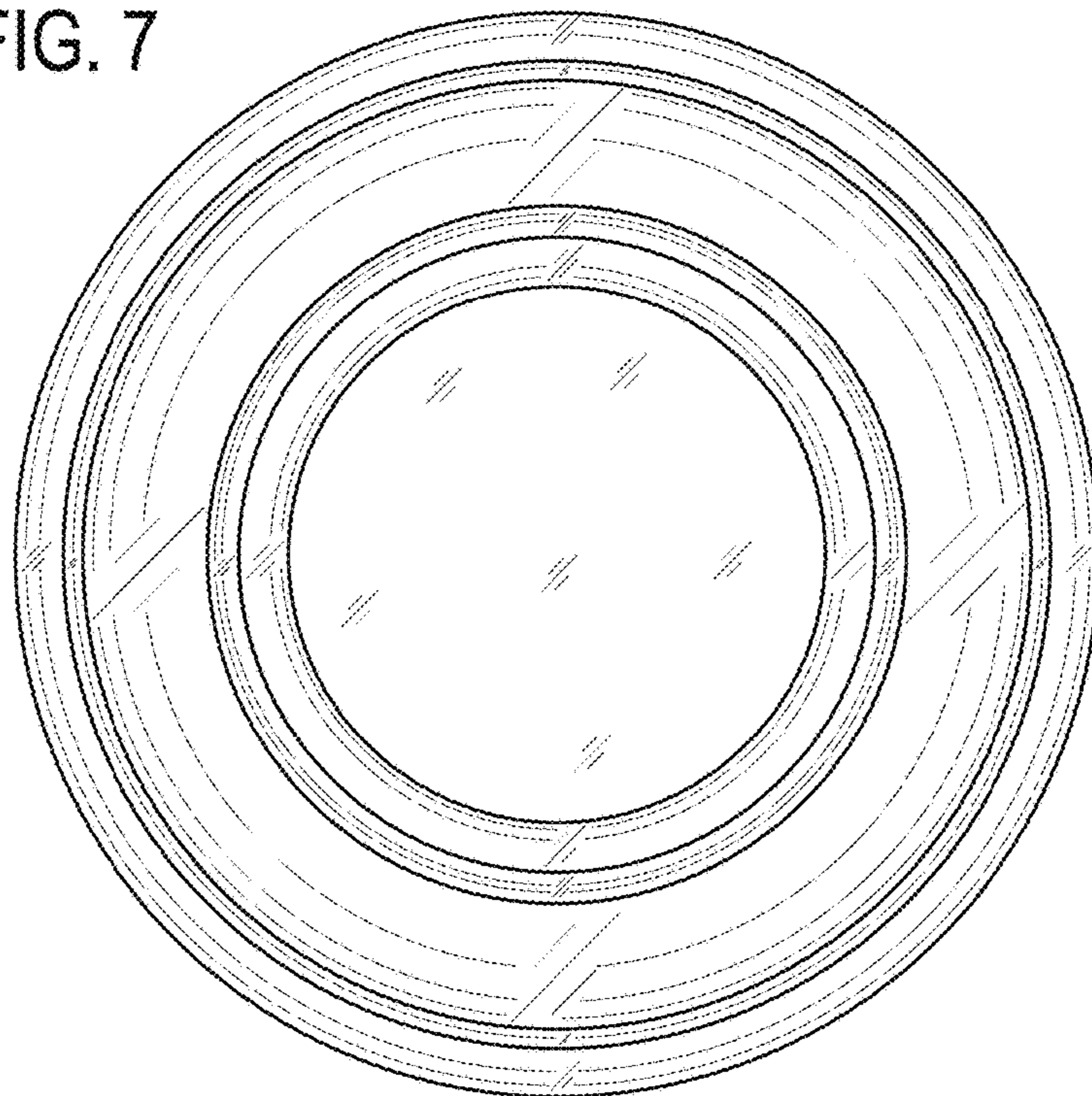


FIG. 8