



US00D793807S

(12) **United States Design Patent** (10) **Patent No.:** **US D793,807 S**
Weaden et al. (45) **Date of Patent:** **** Aug. 8, 2017**

(54) **BLENDER ATTACHMENT**

(71) Applicant: **Kenwood Limited**, Havant, Hampshire (GB)

(72) Inventors: **Jamie Weaden**, Havant (GB); **Sam Davies**, Havant (GB)

(**) Term: **14 Years**

(21) Appl. No.: **29/519,218**

(22) Filed: **Mar. 3, 2015**

(30) **Foreign Application Priority Data**

Dec. 5, 2014 (EM) 001426977

(51) **LOC (10) Cl.** **31-00**

(52) **U.S. Cl.**
USPC **D7/412; D7/376; D7/378; D7/383; D7/384**

(58) **Field of Classification Search**

USPC D7/372, 376-386, 412-413, 602, 629, D7/665-666, 669, 679, 693-694

CPC A21C 1/02; A21C 1/04; A23N 1/00; A23N 1/02; A47J 43/04; A47J 43/25; A47J 43/27; A47J 43/042; A47J 43/044; A47J 43/046; A47J 43/075; A47J 43/0722; A47J 43/0727; B01F 3/00; B01F 3/0807; B01F 3/0853; B01F 7/0025; B01F 13/0059; B01F 13/0064; B02C 1/08; B02C 2/04; B02C 4/42; B02C 4/142; B02C 4/143; B02C 4/423; B02C 13/1835; B28C 5/10; B28C 5/12; B28C 5/14; B28C 5/16

See application file for complete search history.

(56) **References Cited**

U.S. PATENT DOCUMENTS

6,834,818 B2 * 12/2004 Lee A47J 43/0722
241/282.2
D624,359 S * 9/2010 Schleinzer D7/384

D647,365 S * 10/2011 Audette D7/376
D668,115 S * 10/2012 Potter D7/376
D682,030 S * 5/2013 Ezechukwu D7/376
D684,817 S * 6/2013 Leavitt D7/412
D690,159 S * 9/2013 Gursel D7/376

(Continued)

OTHER PUBLICATIONS

Korean Office Action dated Jul. 15, 2015 from corresponding Korean Application No. Design 30-2015-0009902 and Serial No. M001(3 pages including English translation).

(Continued)

Primary Examiner — Ricky Pham

(74) *Attorney, Agent, or Firm* — Brinks Gilson & Lione; G. Peter Nichols

(57) **CLAIM**

The ornamental design for a blender attachment, as shown and described.

DESCRIPTION

The patent or application file contains at least one drawing executed in color. Copies of this patent or patent application publication with color drawing(s) will be provided by the Office upon request and payment of the necessary fee.

FIG. 1 is a top perspective view of a blender attachment according to the present invention;

FIG. 2 is a bottom perspective view thereof;

FIG. 3 is a first side view thereof;

FIG. 4 is a second side view thereof, opposite the first side view;

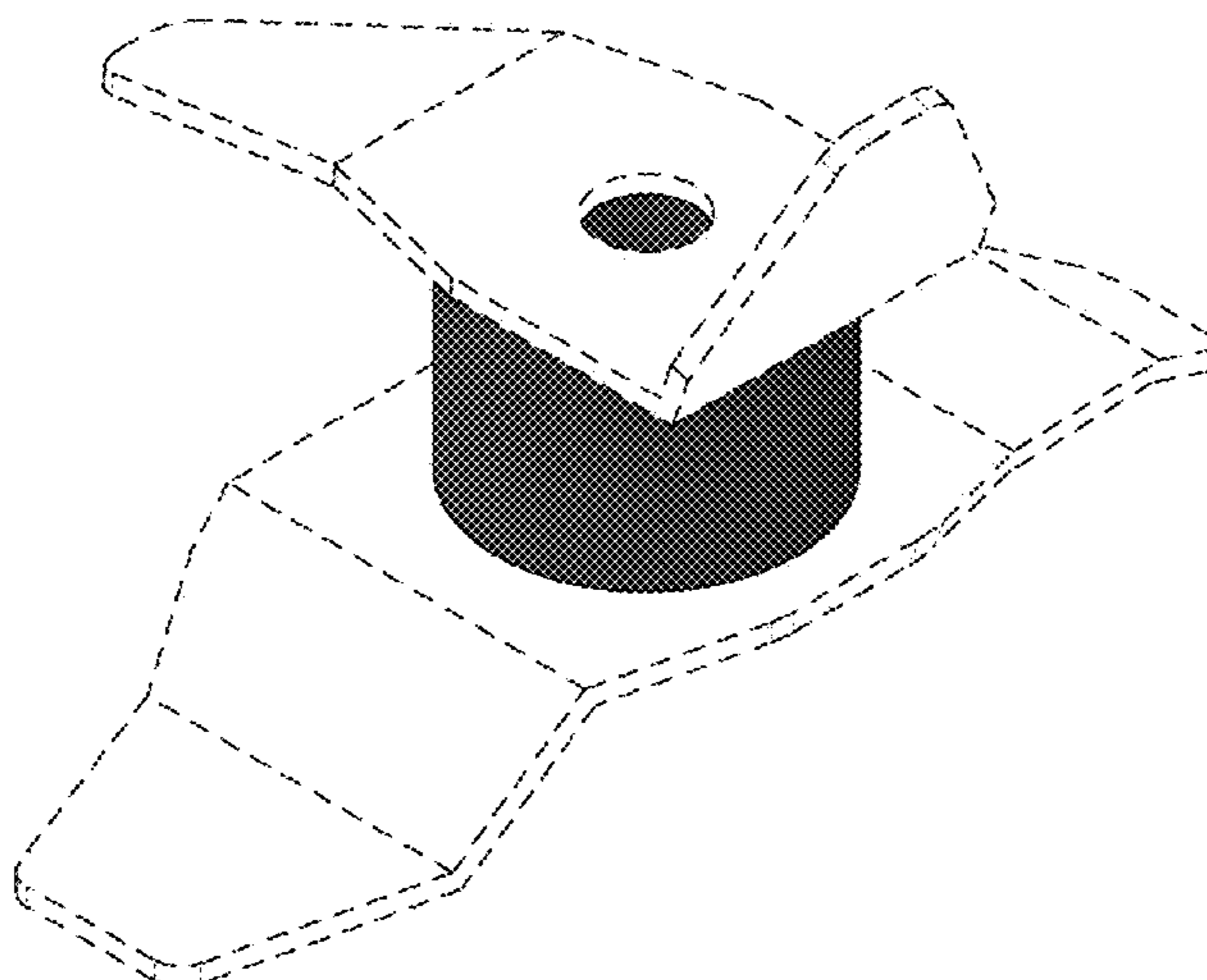
FIG. 5 is a third side view thereof;

FIG. 6 is a top view thereof; and,

FIG. 7 is a bottom view thereof.

The broken lines shown in the drawings represent unclaimed portions and form no part of the claimed design.

1 Claim, 7 Drawing Sheets
(5 of 7 Drawing Sheet(s) Filed in Color)



(56)

References Cited

U.S. PATENT DOCUMENTS

D700,013 S *	2/2014	Chu	D7/376
D709,324 S *	7/2014	Guo	D7/376
D709,325 S *	7/2014	Guo	D7/376
8,950,930 B2 *	2/2015	Wang	A47J 43/046 366/205
D761,056 S *	7/2016	Kemker	D7/376
2008/0198691 A1 *	8/2008	Behar	A47J 43/0722 366/205
2012/0080549 A1 *	4/2012	Rukavina	B01F 7/0025 241/282.1

OTHER PUBLICATIONS

Korean Office Action dated Jul. 15, 2015 from corresponding Korean Application No. Design 30-2015-0009902 and Serial No. M003 (3 pages including English translation).
 Korean Office Action dated Jul. 15, 2015 from corresponding Korean Application No. Design 30-2015-0009902 and Serial No. M010 (3 pages including English translation).

Korean Office Action dated Jul. 15, 2015 from corresponding Korean Application No. Design 30-2015-0009902 and Serial No. M011 with pictures obtained from the Internet on Aug. 13, 2014 at: https://www.youtube.com/watch?v=md0qgGbNNdA&list=PLEFolio04mJ9M9hrTerQAiwwQkQM_RBSM, (3 pages including English translation).
 Korean Office Action dated Jul. 15, 2015 from corresponding Korean Application No. Design 30-2015-0009902 and Serial No. M012 with pictures obtained from the Internet on Aug. 13, 2014 at: https://www.youtube.com/watch?v=md0qgGbNNdA&list=PLEFolio04mJ9M9hrTerQAiwwQkQM_RBSM, (3 pages including English translation).
 Présentation du blender Blend-X Pro de Kenwood [online] YouTube [retrieved on Aug. 13, 2014], Retrieved from the Internet <URL: www.youtube.com/watch?v=md0qgGbNNdA&list=PLEFolio04mJ9M9hrTerQAiwwQkQM_RBSM>.
 Rejection Notice dated Mar. 15, 2016 out of corresponding Japanese Design Application No. 2015-004347.
 Kenwood Global instructional video published Nov. 26, 2014 relating to the Kenwood Blend-X Pro Blender machine URL: <https://www.youtube.com/watch?v=3LsQGwVrRsl>.

* cited by examiner

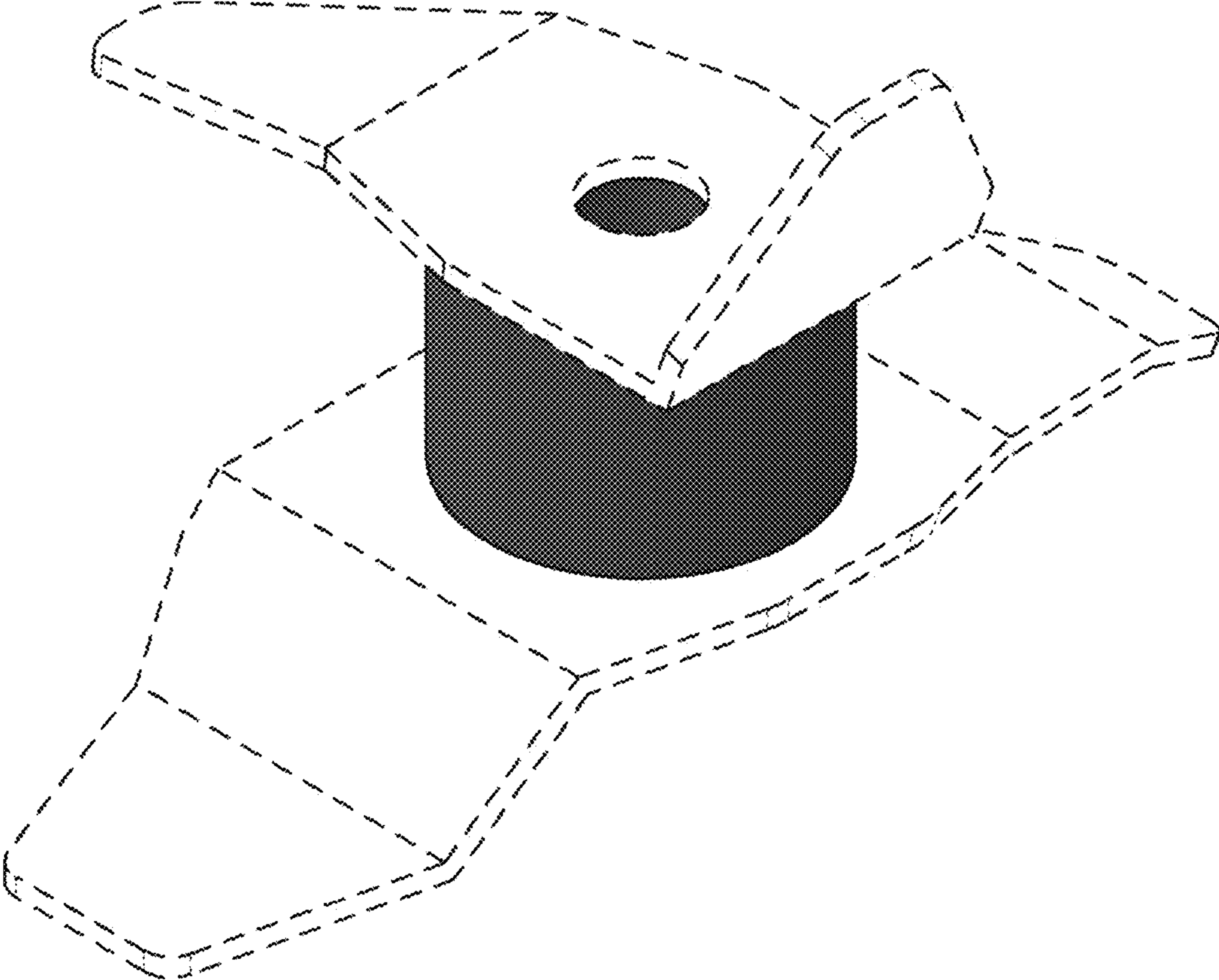


FIG. 1

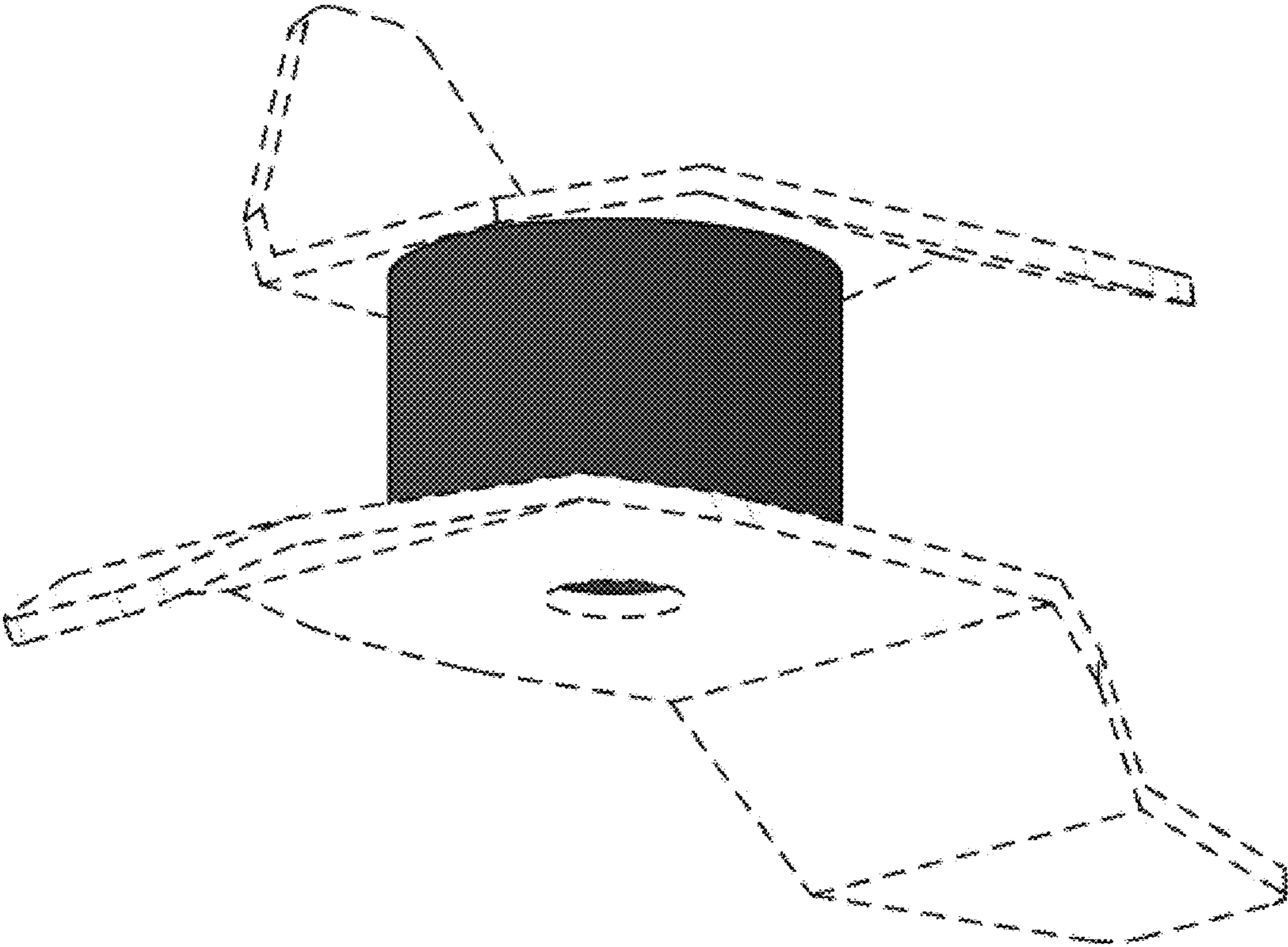


FIG. 2

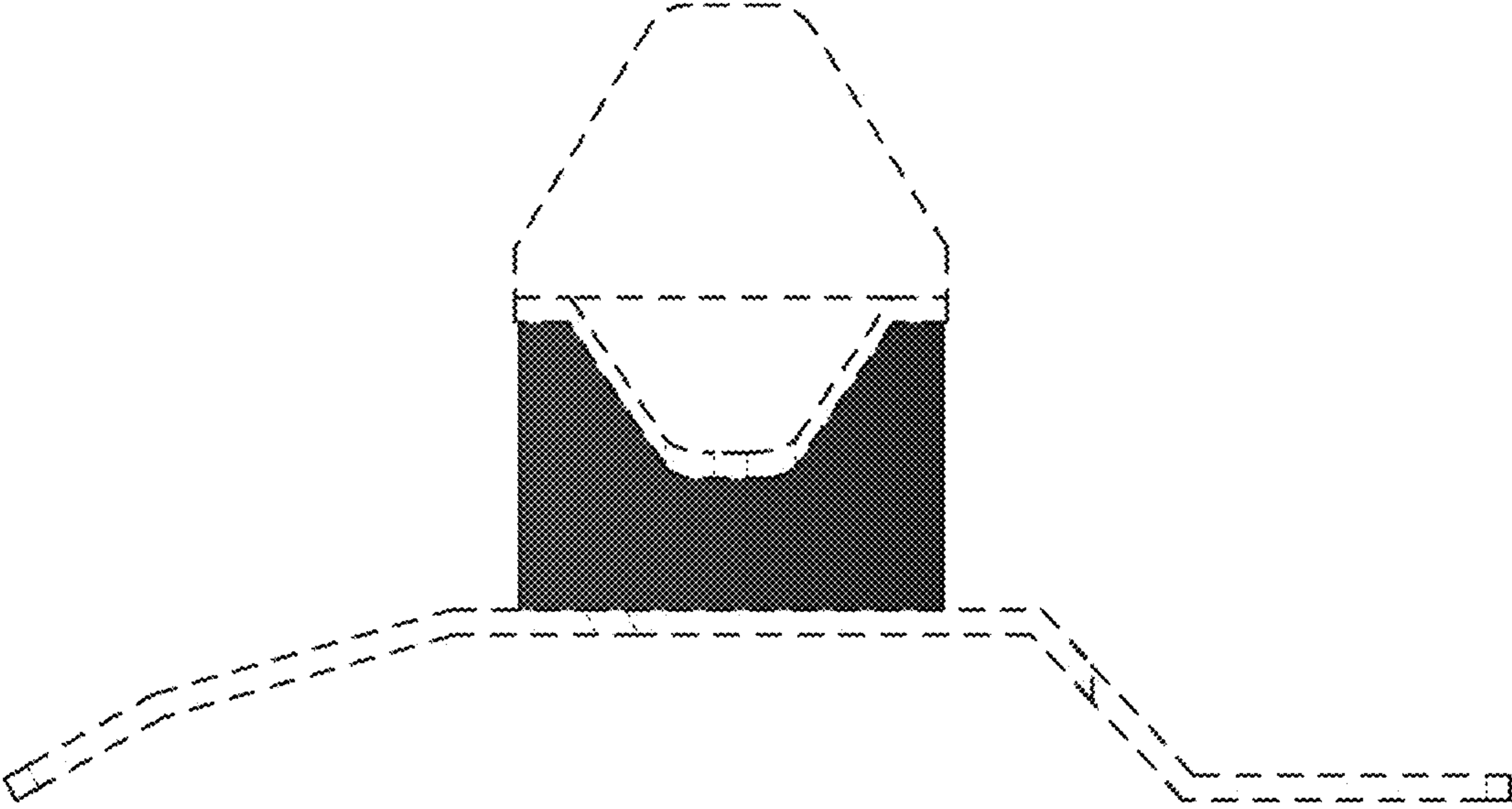


FIG. 3

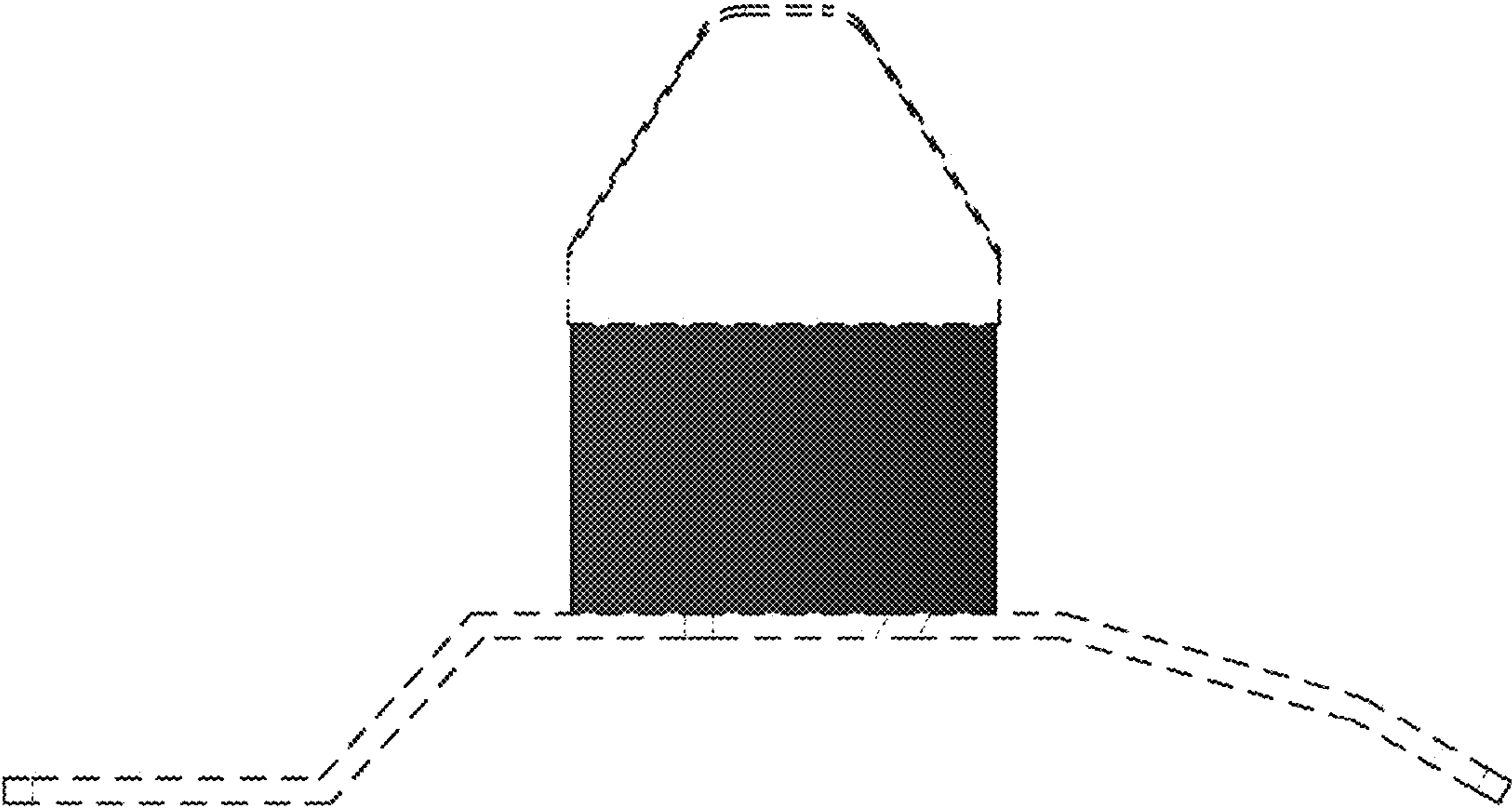


FIG. 4

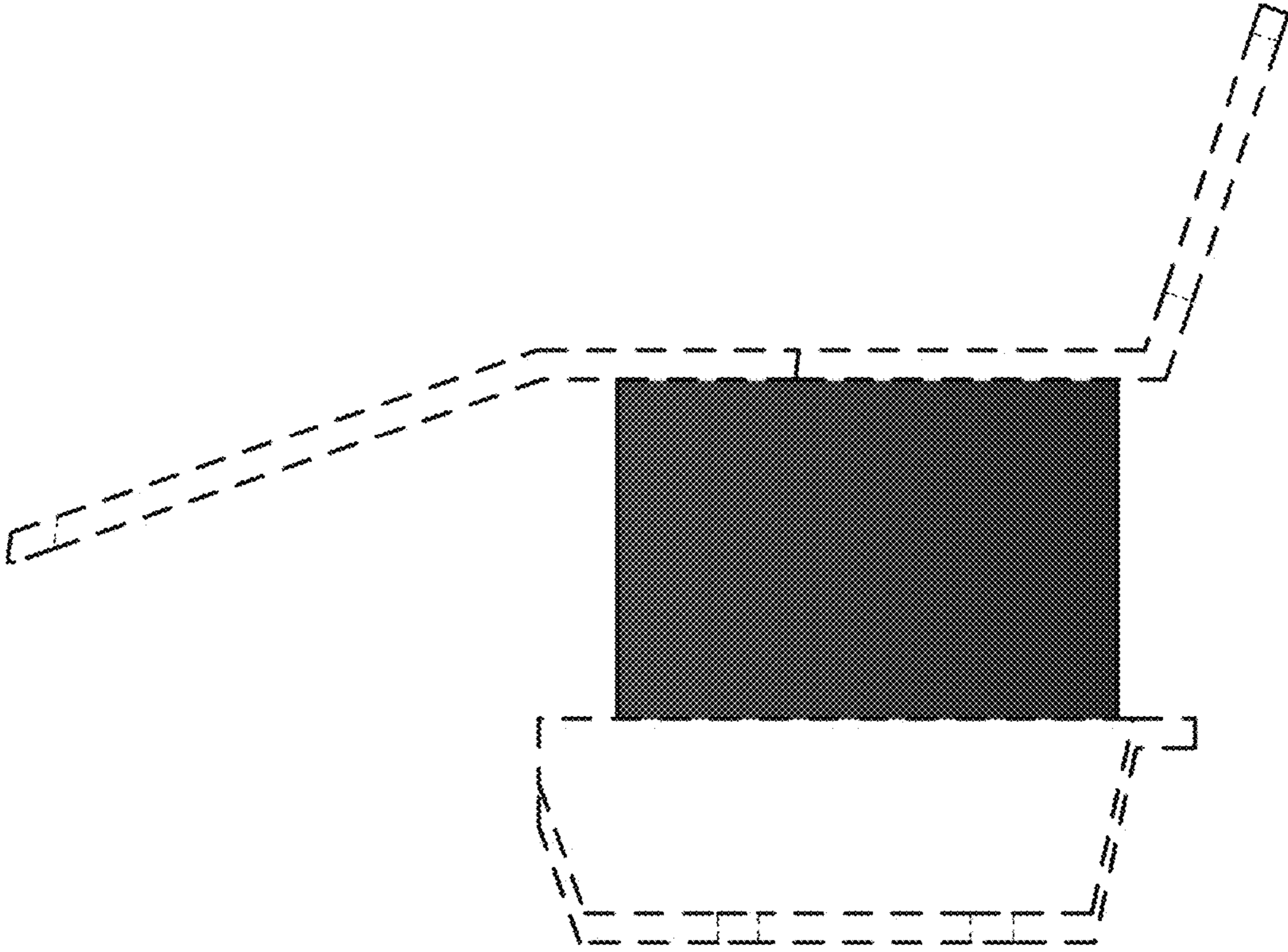


FIG. 5

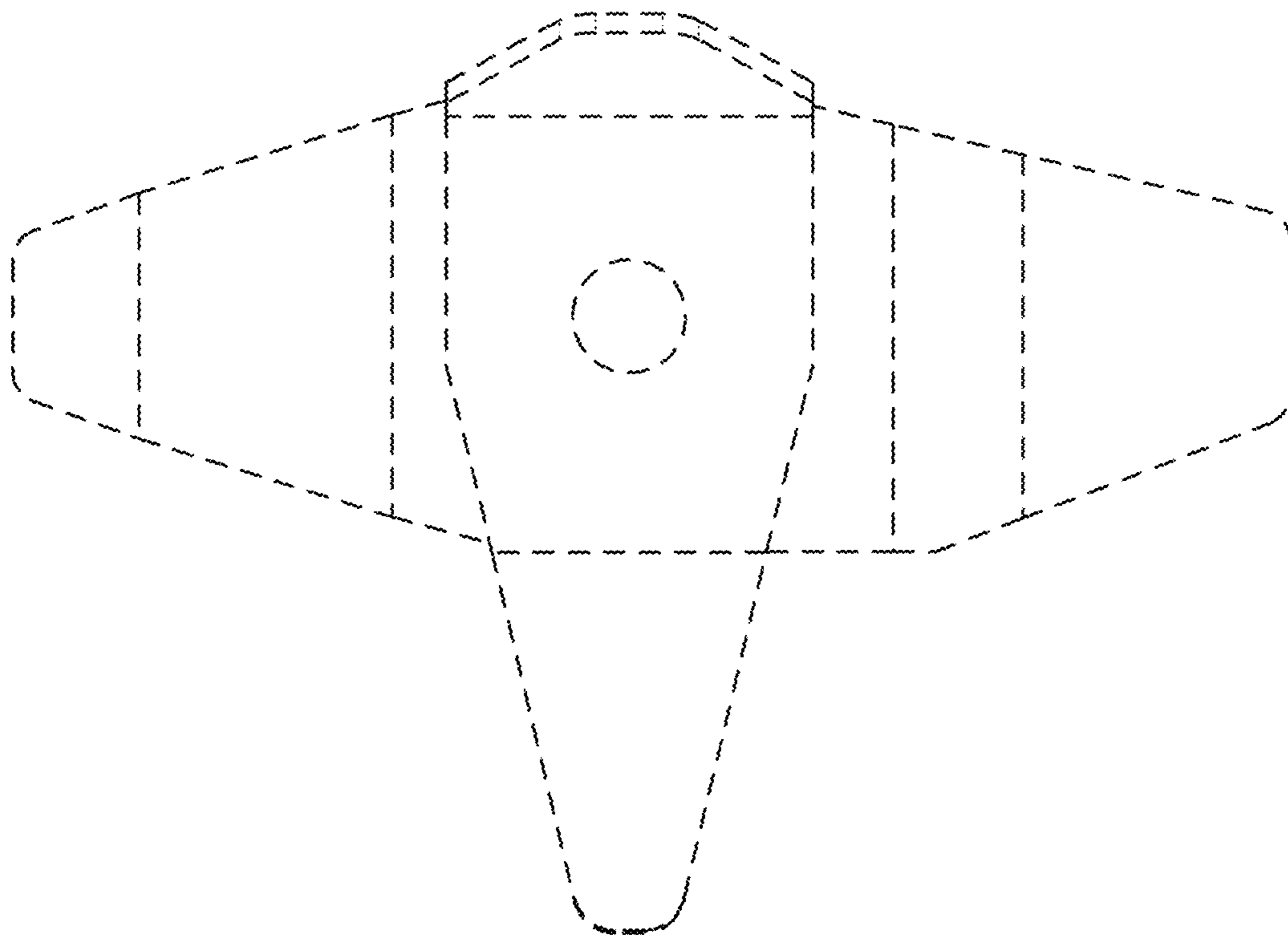


FIG. 6

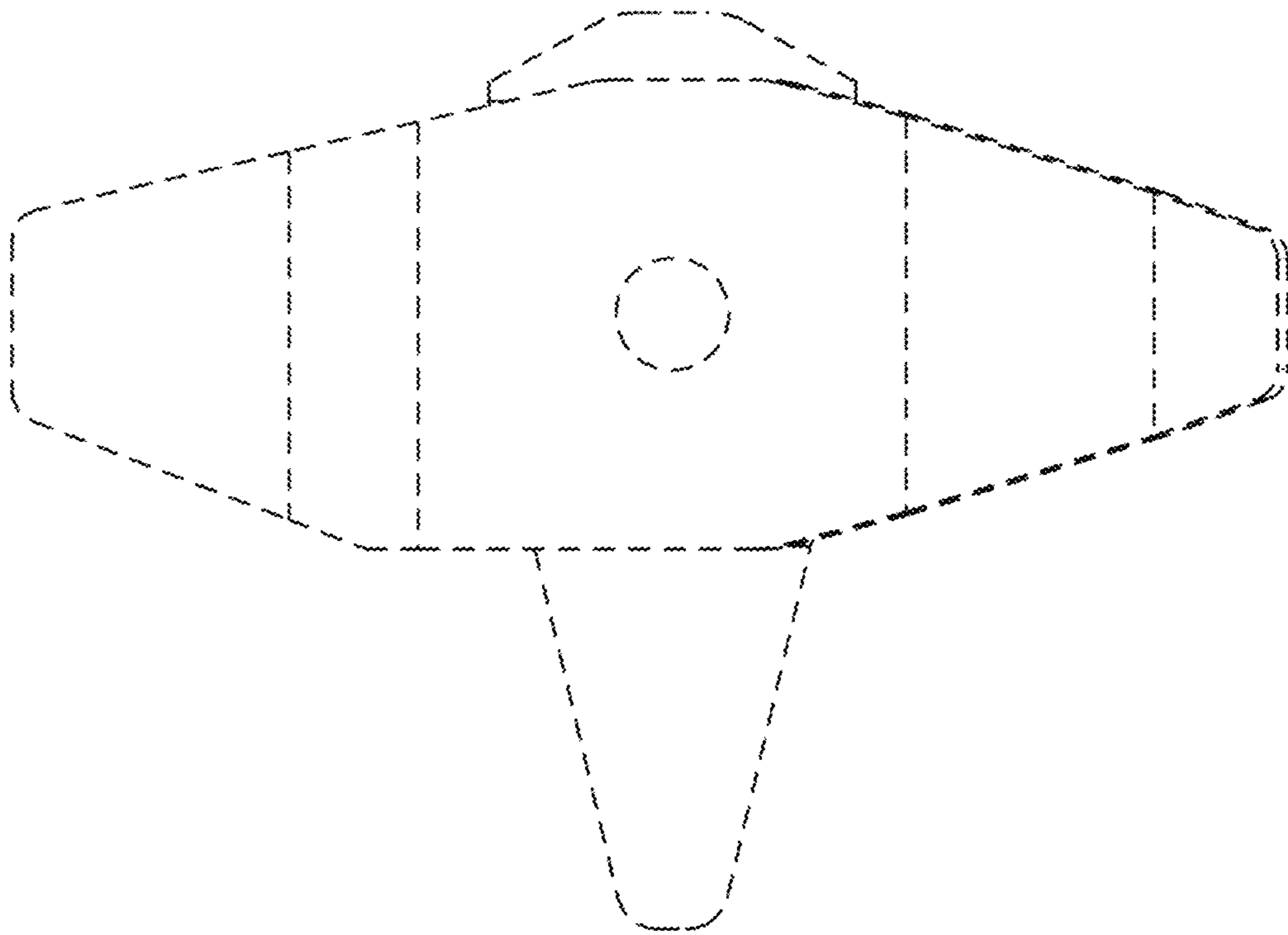


FIG. 7