



US00D793806S

(12) **United States Design Patent**
Moy et al.

(10) **Patent No.:** **US D793,806 S**

(45) **Date of Patent:** **** Aug. 8, 2017**

(54) **GRILL BURNER MODULE**

(71) Applicant: **Hestan Commercial Corporation,**
Anaheim, CA (US)

(72) Inventors: **Chris Moy,** Monterey Park, CA (US);
Hans F. Wenzel, Santa Ana, CA (US)

(73) Assignee: **Hestan Commercial Corporation,**
Anaheim, CA (US)

(**) Term: **15 Years**

(21) Appl. No.: **29/555,589**

(22) Filed: **Feb. 23, 2016**

(51) **LOC (10) Cl.** **07-02**

(52) **U.S. Cl.**
USPC **D7/407**

(58) **Field of Classification Search**
USPC D7/402-404, 407-409, 332-337,
D7/362-367; D23/386, 415-419
CPC A47J 37/0713; A47J 37/041; A47J 37/042;
A47J 37/043; F23D 14/10; F23D 14/045;
F23D 2203/1012; F23D 2900/00017;
F24C 3/14; F24C 1/16; F24C 5/20
See application file for complete search history.

(56) **References Cited**

U.S. PATENT DOCUMENTS

1,224,157	A *	5/1917	Fry	F23D 14/08
					431/278
2,201,678	A *	5/1940	Dufault	F23D 14/10
					239/128
D125,446	S *	2/1941	Jones, Jr.	D7/337
D145,601	S *	9/1946	Hufford et al.	126/14
D166,032	S *	2/1952	Du Fault	D23/415
D258,927	S *	4/1981	Lee	D7/332
D263,918	S *	4/1982	Boyd	D7/336

D268,391	S *	3/1983	Craco	D7/332
D279,498	S *	7/1985	Nakamura	D23/386
D325,967	S *	5/1992	Dieterle	D23/386
D330,936	S *	11/1992	Dieterle	D23/323
2016/0138805	A1 *	5/2016	Martin	F23G 7/085
					431/202

OTHER PUBLICATIONS

Hestan 36 Inch Stainless Steel Freestanding Grill, Luxpatio [online], published date not available, [retrieved on Mar. 28, 2017]. Retrieved from the Internet <URL: <https://www.luxapatio.com/product/hestan-36-inch-stainless-steel-freestanding-grill-rotisserie-double-side-burner-gabr36cx/>>.*

* cited by examiner

Primary Examiner — Sheryl Lane

Assistant Examiner — Nicole Shiflet

(74) *Attorney, Agent, or Firm* — Akeman LLP

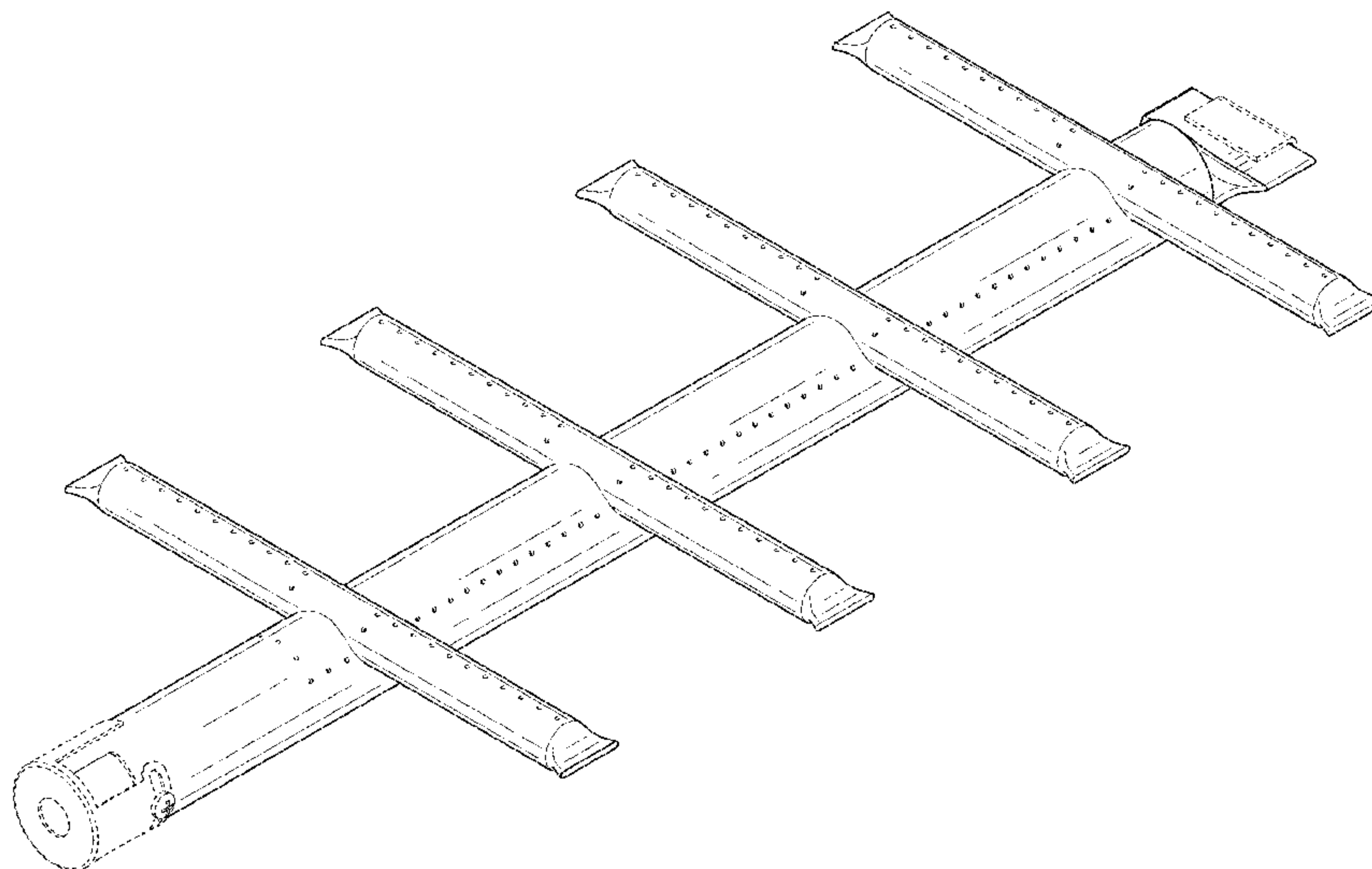
(57) **CLAIM**

The ornamental design for a grill burner module, as shown and described.

DESCRIPTION

FIG. 1 is a perspective view of the “grill burner module”, showing our new design; FIG. 2 is a right side view thereof; FIG. 3 is a left side view thereof; FIG. 4 is a front view thereof; FIG. 5 is a back view thereof; FIG. 6 is a top view thereof; and, FIG. 7 is a bottom view thereof. The broken lines showing portions of the article form no part of the claimed design.

1 Claim, 5 Drawing Sheets



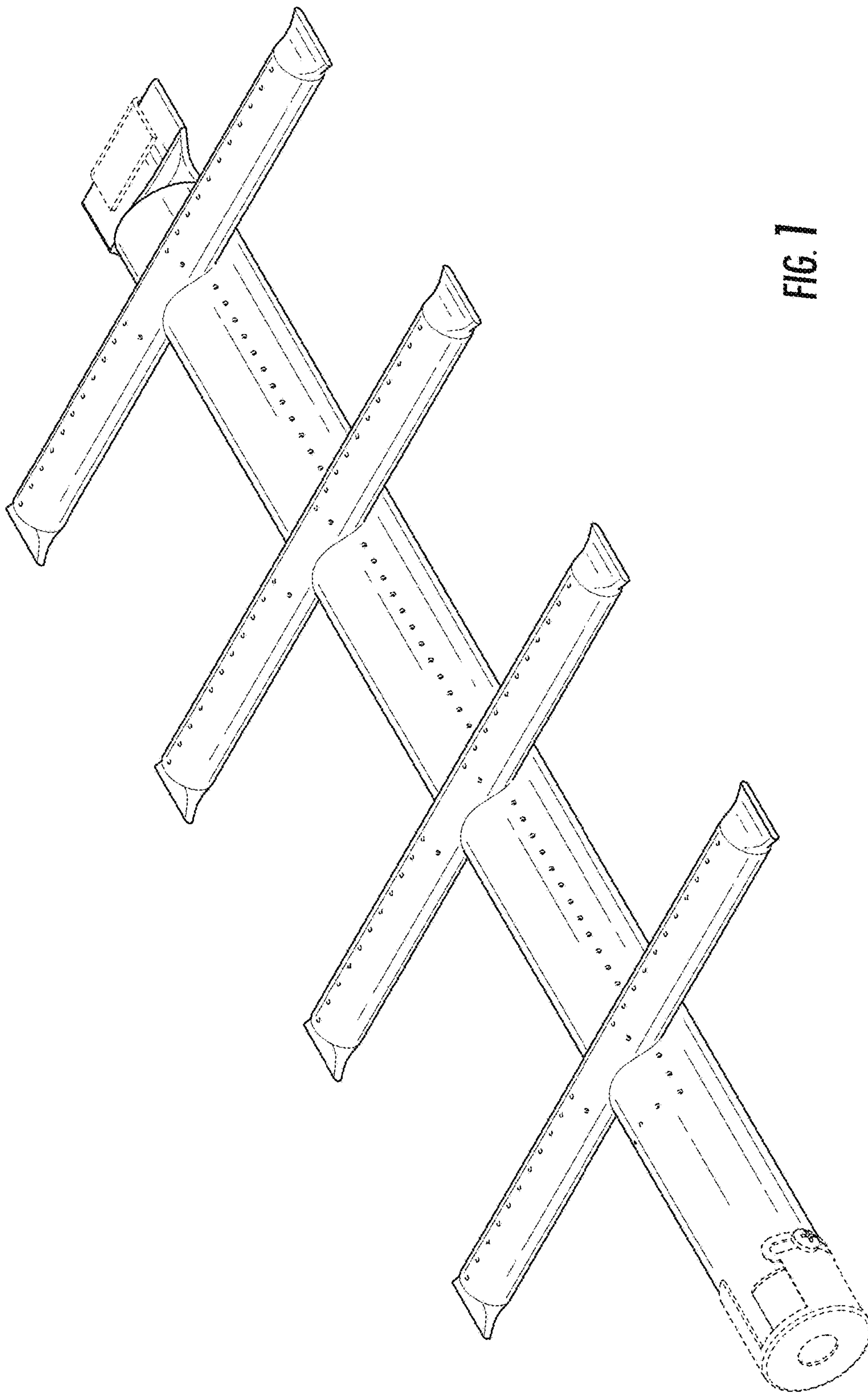


FIG. 1

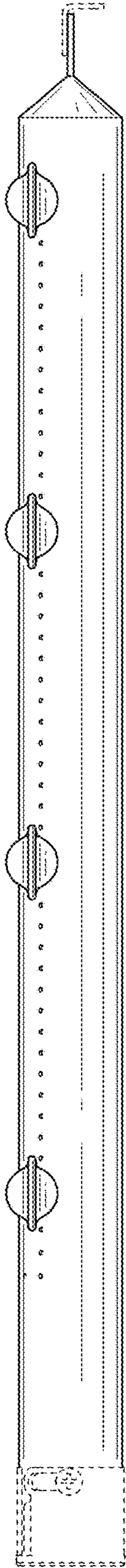


FIG. 2

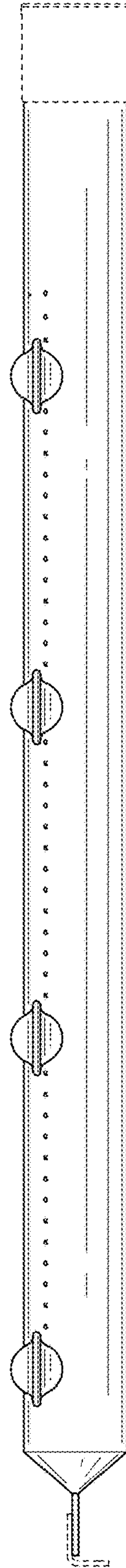


FIG. 3

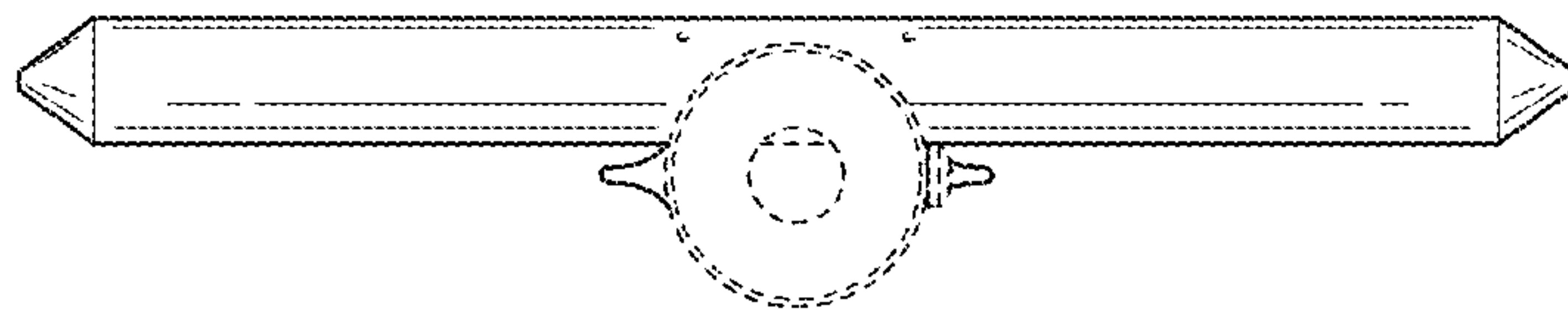


FIG. 4

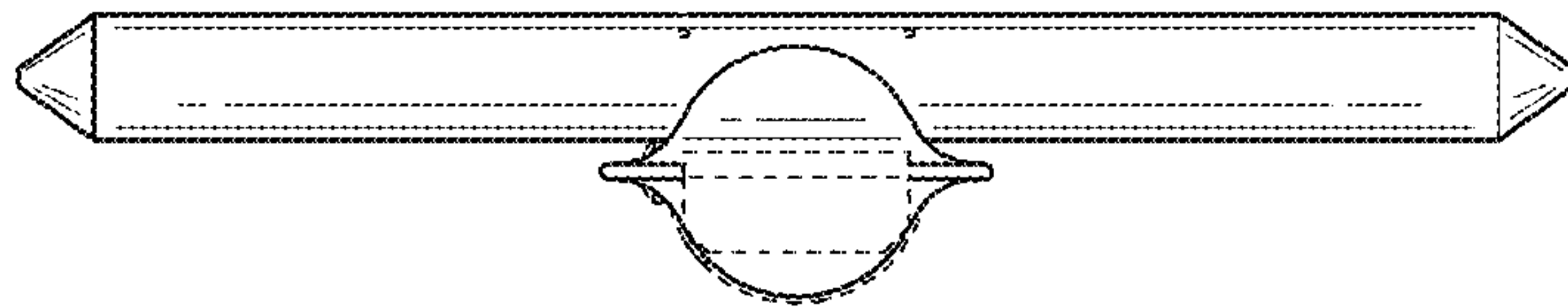


FIG. 5

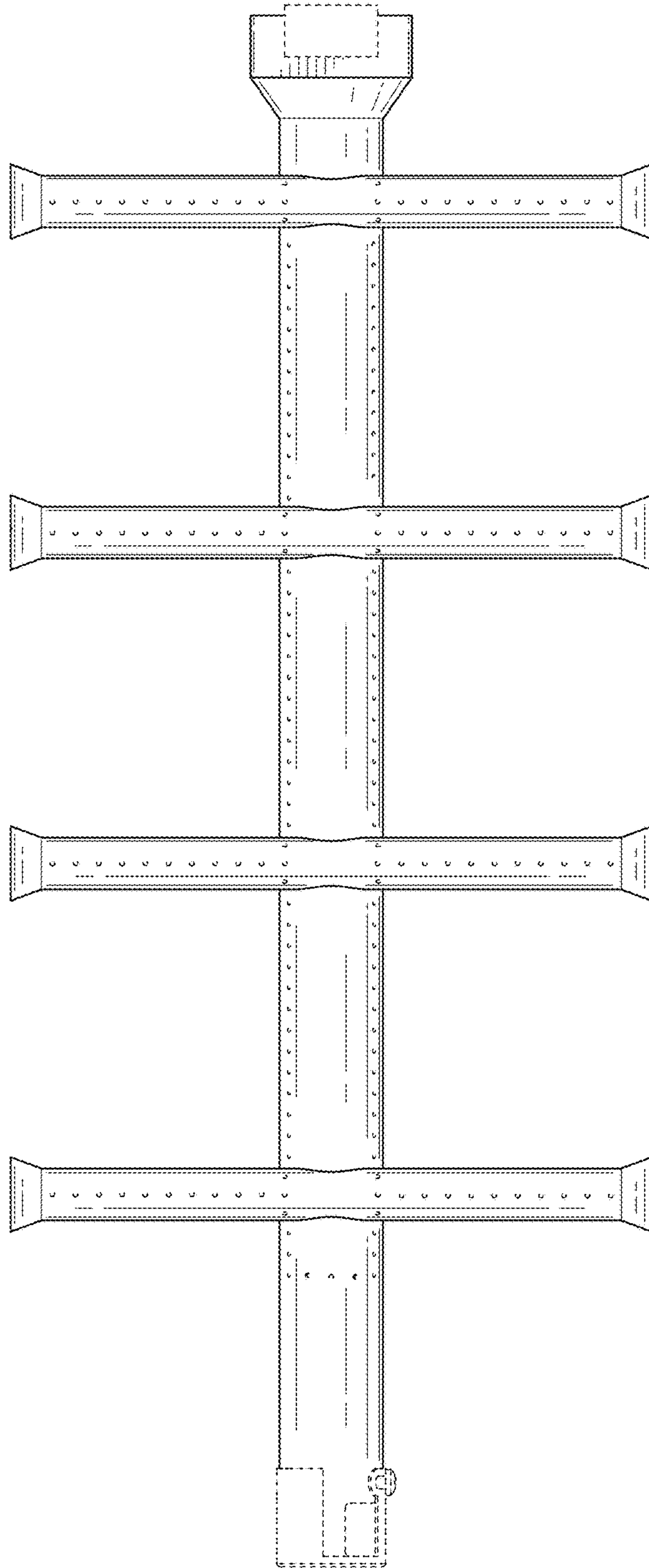


FIG. 6

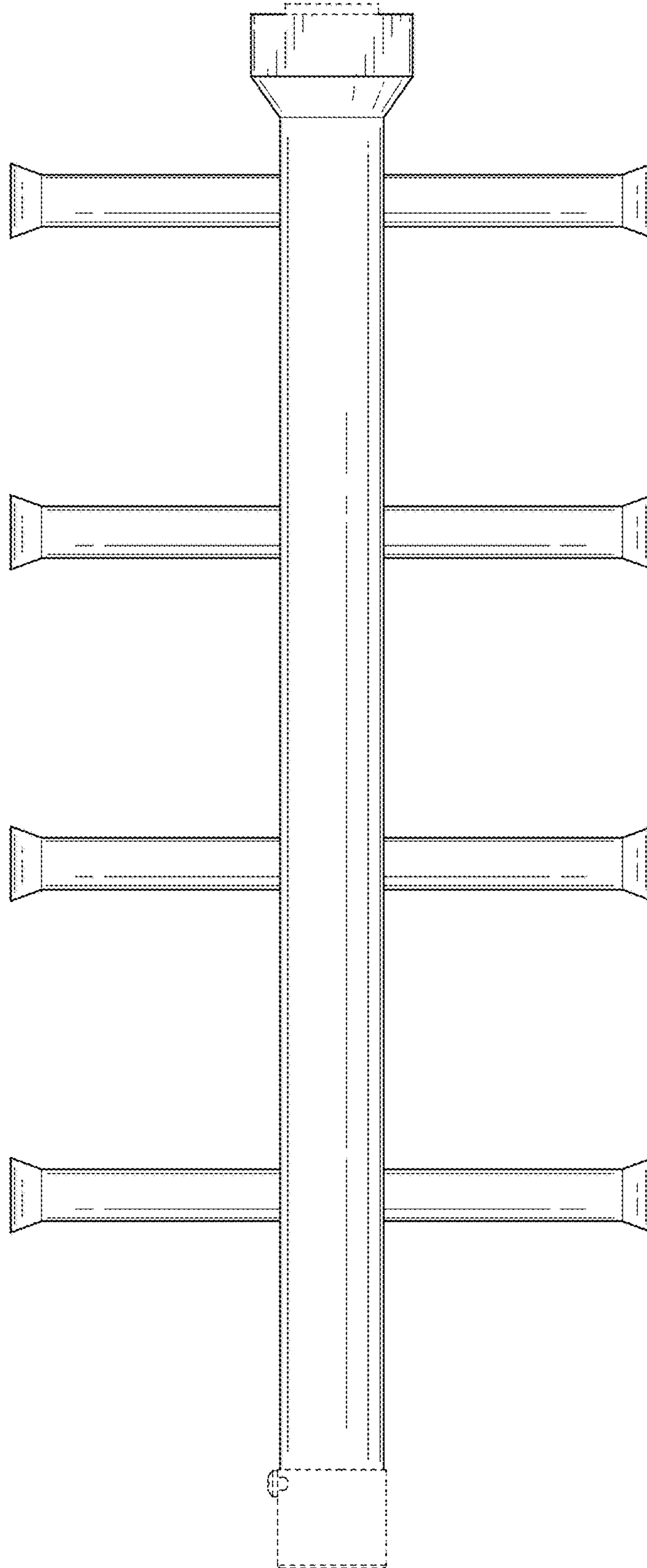


FIG. 7