



US00D793805S

(12) **United States Design Patent** (10) **Patent No.:** **US D793,805 S**
D'Amico (45) **Date of Patent:** **** Aug. 8, 2017**

- (54) **BREW BASKET**
- (71) Applicant: **S&D Coffee, Inc.**, Concord, NC (US)
- (72) Inventor: **Anthony T. D'Amico**, Charlotte, NC (US)
- (73) Assignee: **S&D Coffee, Inc.**, Concord, NC (US)
- (**) Term: **15 Years**
- (21) Appl. No.: **29/563,057**
- (22) Filed: **May 2, 2016**
- (51) **LOC (10) Cl.** **07-02**
- (52) **U.S. Cl.**
USPC **D7/400**
- (58) **Field of Classification Search**
USPC D7/400; D23/209; 99/295, 306, 315, 99/323; 210/238, 248, 455, 474
CPC A47J 47/00; A47J 47/16; A47J 31/446; A47J 31/00; A47J 31/44; A47J 31/057
See application file for complete search history.

- D486,355 S * 2/2004 Lyall, III D7/400
- 7,021,198 B1 * 4/2006 Lyall, III A47J 31/0642
426/77
- D542,088 S * 5/2007 Albrecht D7/399
- 8,539,876 B2 * 9/2013 Webster A47J 31/02
206/219
- D772,644 S * 11/2016 Kestenbaum D7/399

OTHER PUBLICATIONS

Amazon, brew basket, http://ecx.images-amazon.com/images/I/31DQ7teMgml._SY300_.jpg, known at least as early as Oct. 6, 2015, last viewed Oct. 6, 2015, 1 pg.
Bloomfield metal brew basket, known at least as early as Feb. 28, 2000, 2 pgs.

(Continued)

Primary Examiner — Cynthia Ramirez
Assistant Examiner — Andrew Kerr
(74) *Attorney, Agent, or Firm* — Womble Carlyle Sandridge & Rice, LLP

(57) **CLAIM**

The ornamental design for a brew basket, as shown and described.

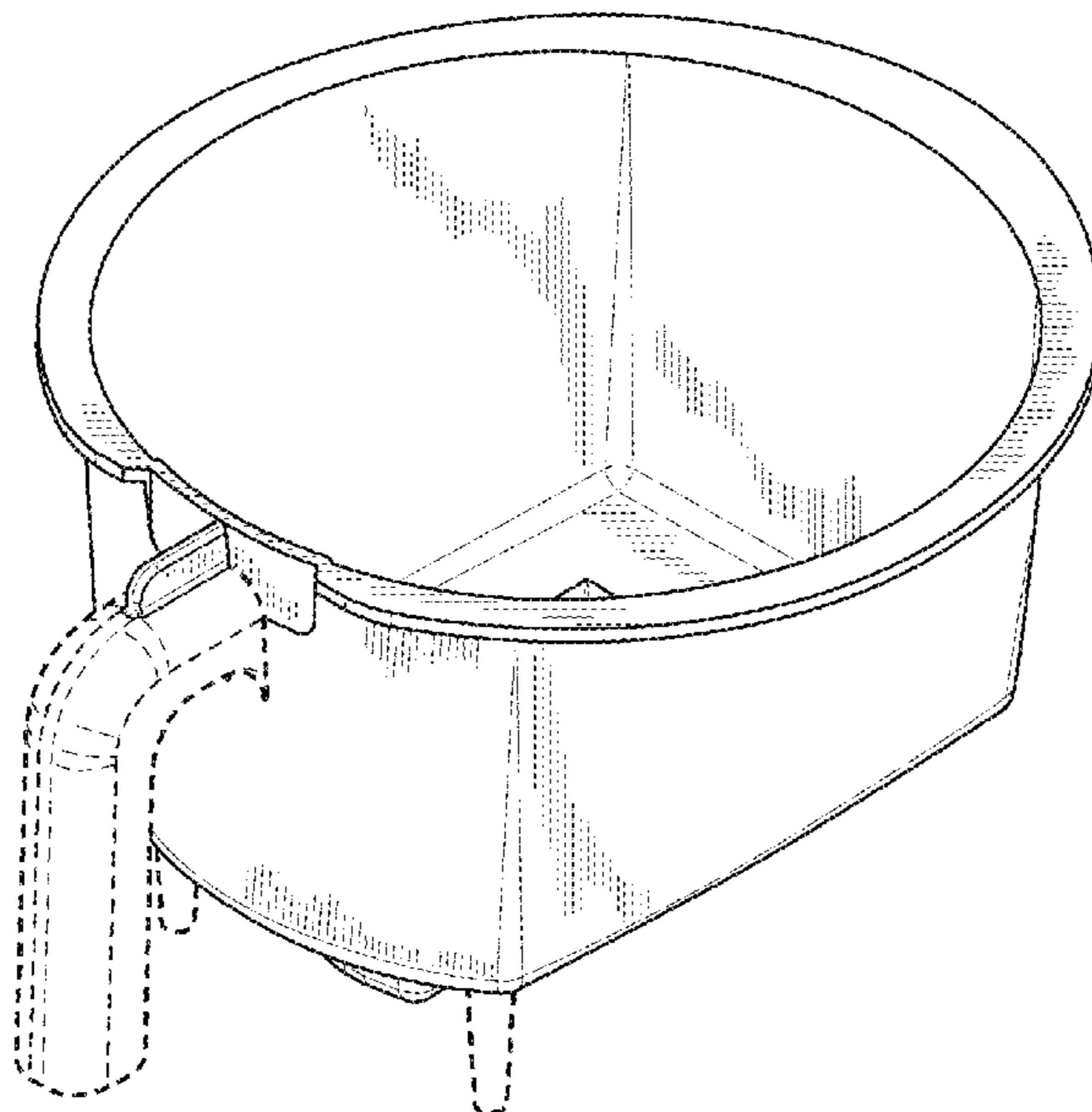
DESCRIPTION

FIG. 1 is a top rear right perspective view of my new design; FIG. 2 is a bottom front left perspective view thereof; FIG. 3 is a top view thereof; FIG. 4 is a rear view thereof; FIG. 5 is a first side view thereof, the second side view being a mirror image thereof; FIG. 6 is a front view thereof; and, FIG. 7 is a bottom view thereof.
The broken lines in the drawing views are included for the purpose of illustrating unclaimed portions of the brew basket only, and form no part of the claimed design.

1 Claim, 7 Drawing Sheets

(56) **References Cited**
U.S. PATENT DOCUMENTS

4,207,809	A	6/1980	Brill	
4,280,401	A	7/1981	Cleland	
4,579,048	A	4/1986	Stover	
4,802,406	A	2/1989	Bouldin	
5,245,914	A	9/1993	Vitous	
5,340,597	A	8/1994	Gilbert	
5,957,035	A	9/1999	Richter	
D423,284	S *	4/2000	Fischer	D7/400
D442,430	S *	5/2001	Pope	D7/400
6,260,476	B1	7/2001	Pope	
D459,152	S *	6/2002	Fischer	D7/400
D460,660	S *	7/2002	Fischer	D7/400
6,439,105	B1	8/2002	Ford	



(56)

References Cited

OTHER PUBLICATIONS

Bunn-o-matic Corp., metal brew basket, known at least as early as Feb. 28, 2000, 2 pgs.

Bunn-o-matic Corp., plastic brew basket, known at least as early as May 19, 1999, 2 pgs.

Bunn-o-matic Corp., plastic tea brew basket, known at least as early as Feb. 28, 2000, 2 pgs.

CW-USA brew basket, <http://www.cw-usa.com/common/images/products/large/bunn-04274-0012-rectangular-filter>, known at least as early as Oct. 6, 2015, last viewed Oct. 6, 2015, 1 pg.

Wilbur metal brew basket, known at least as early as Feb. 28, 2000, 2 pgs.

Bunn-o-matic Corp., plastic brew basket, known at least as early as May 19, 1999, 2 pg.

* cited by examiner

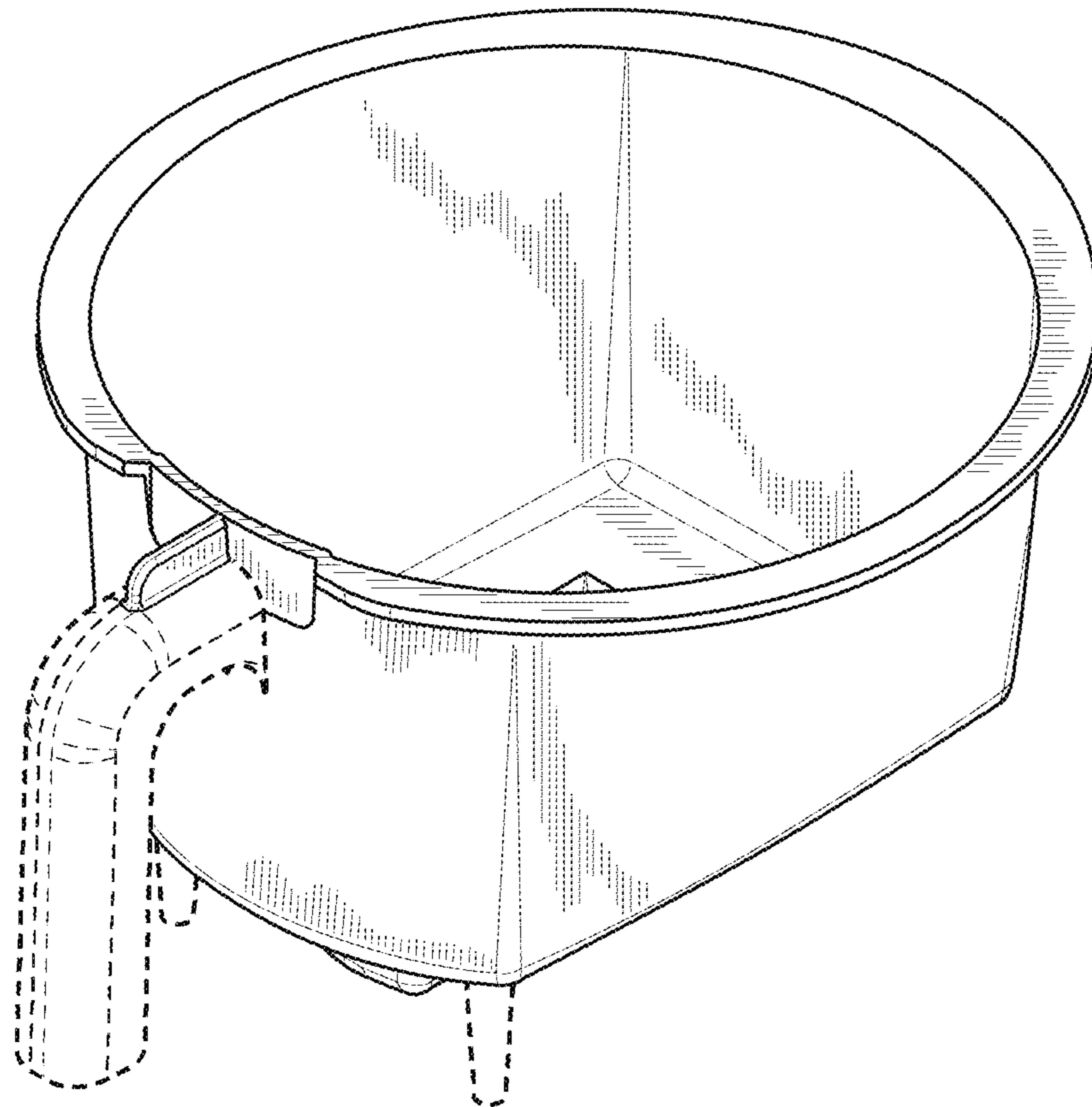


FIG. 1

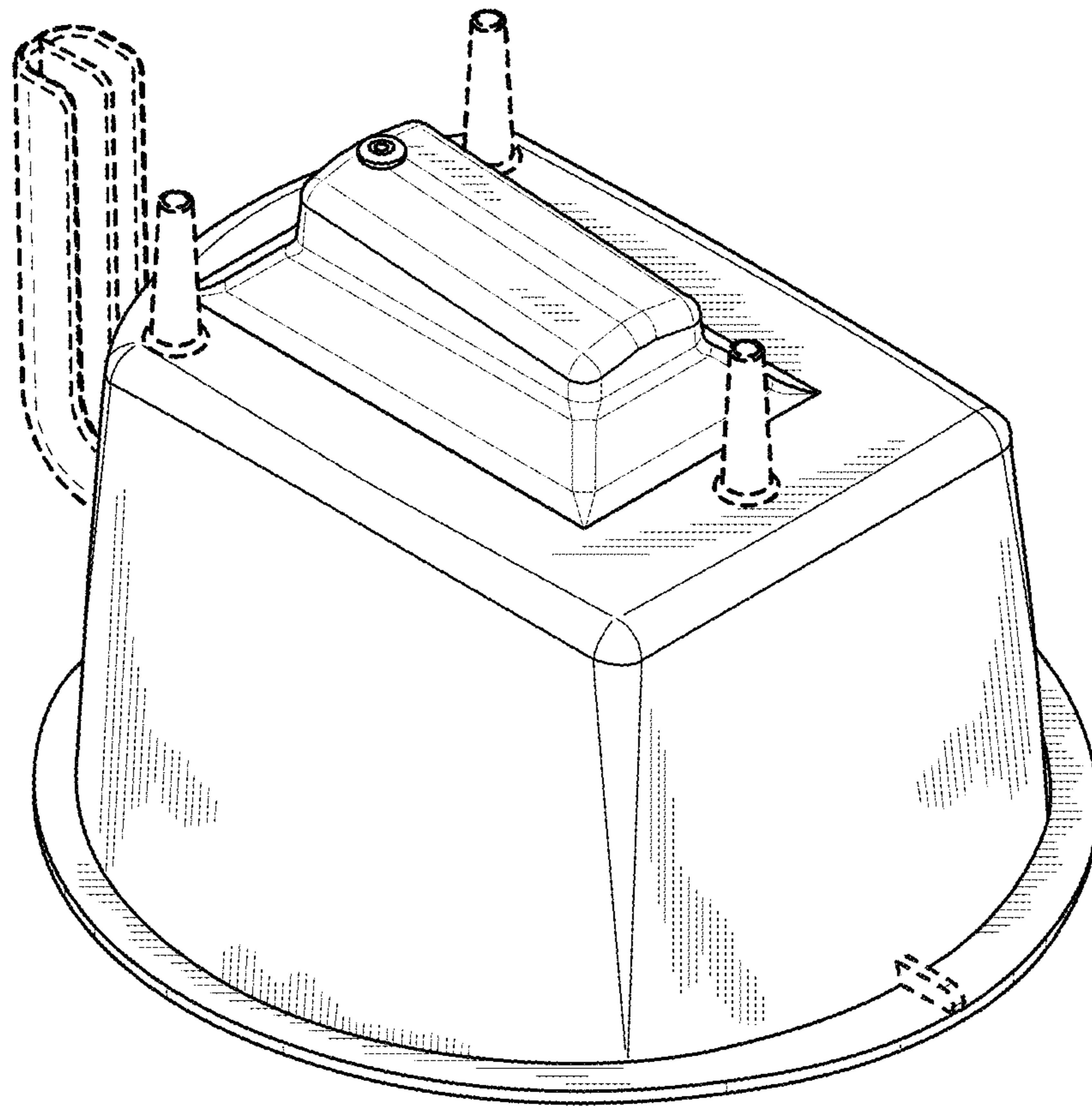


FIG. 2

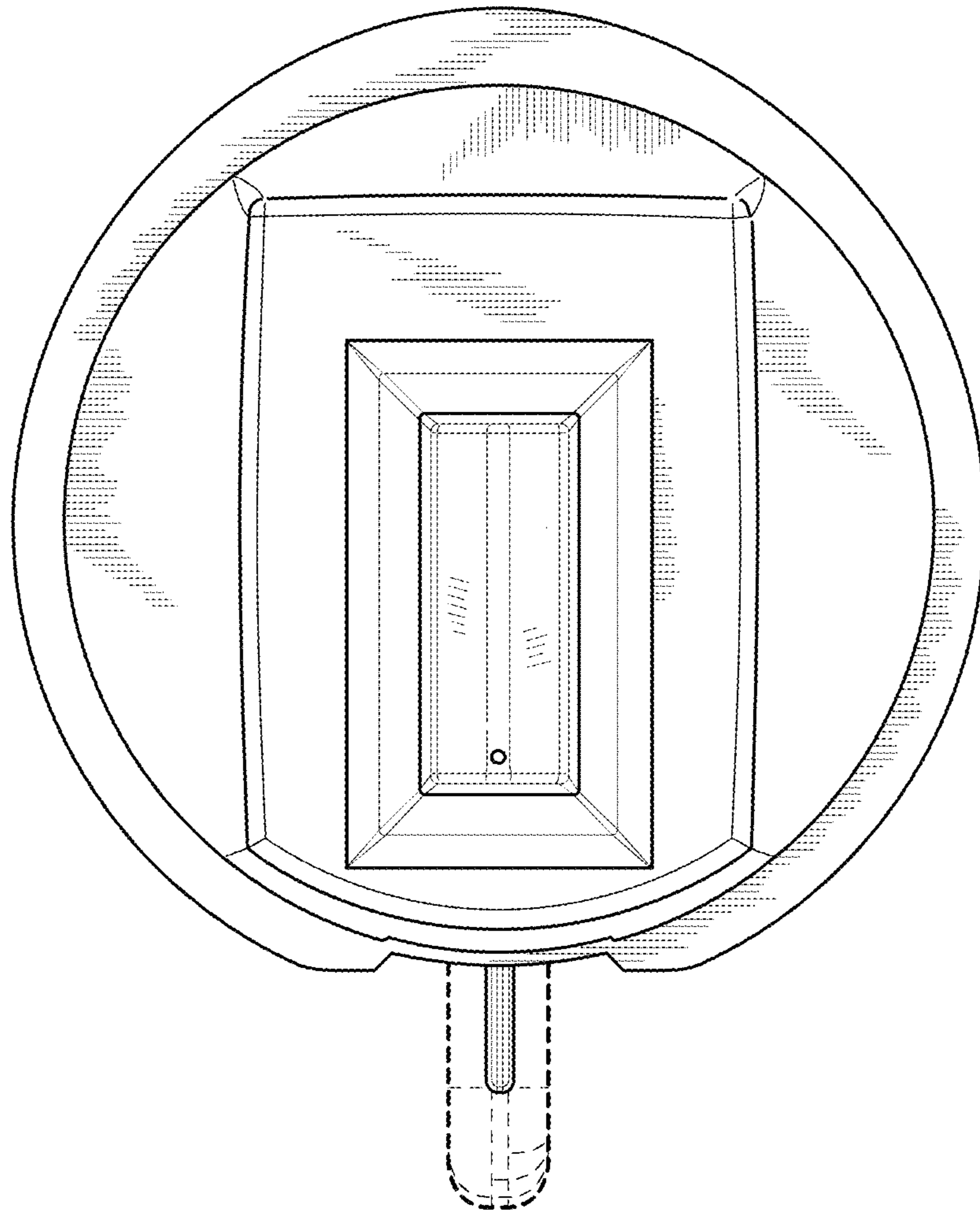


FIG. 3

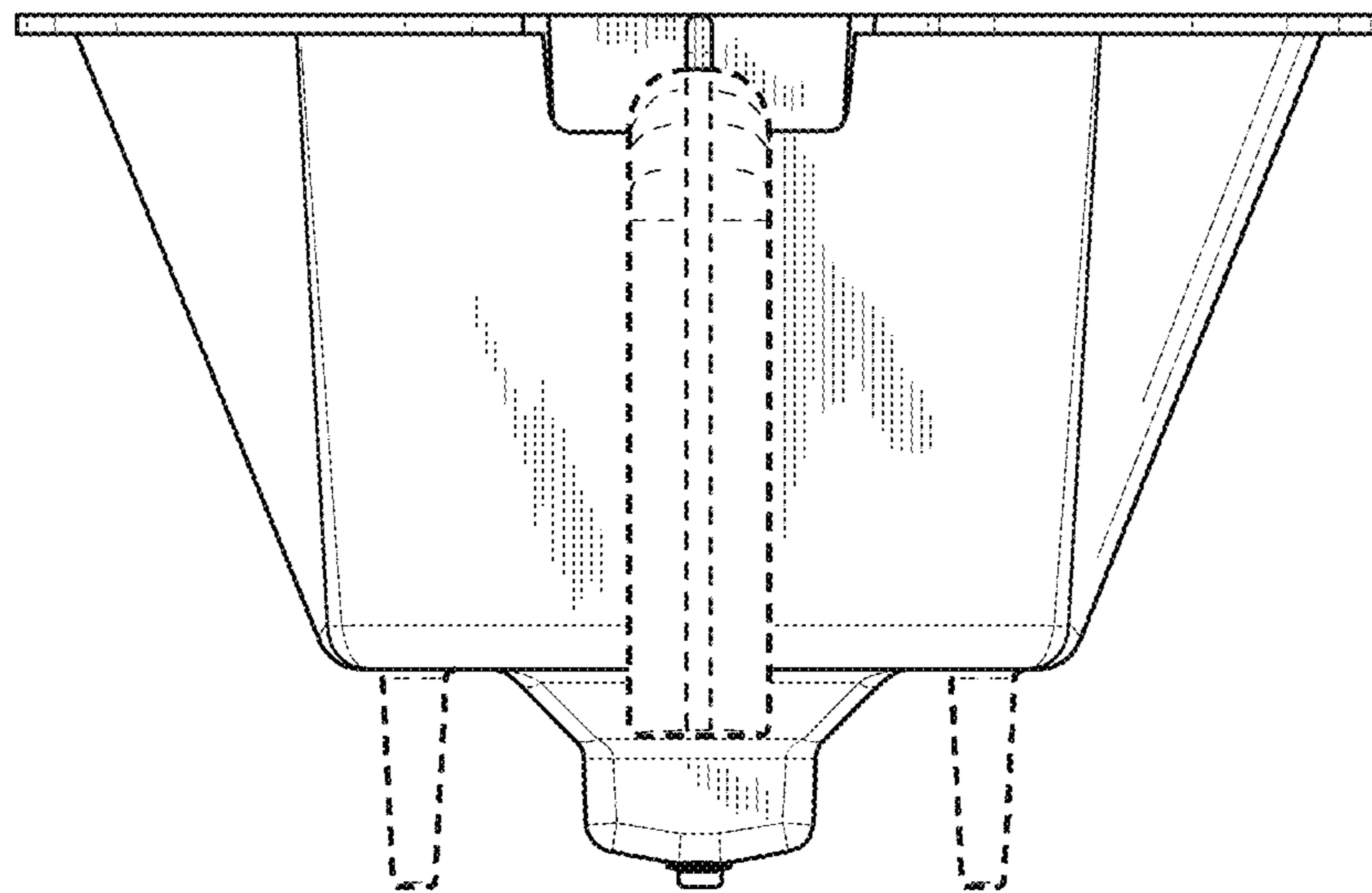


FIG. 4

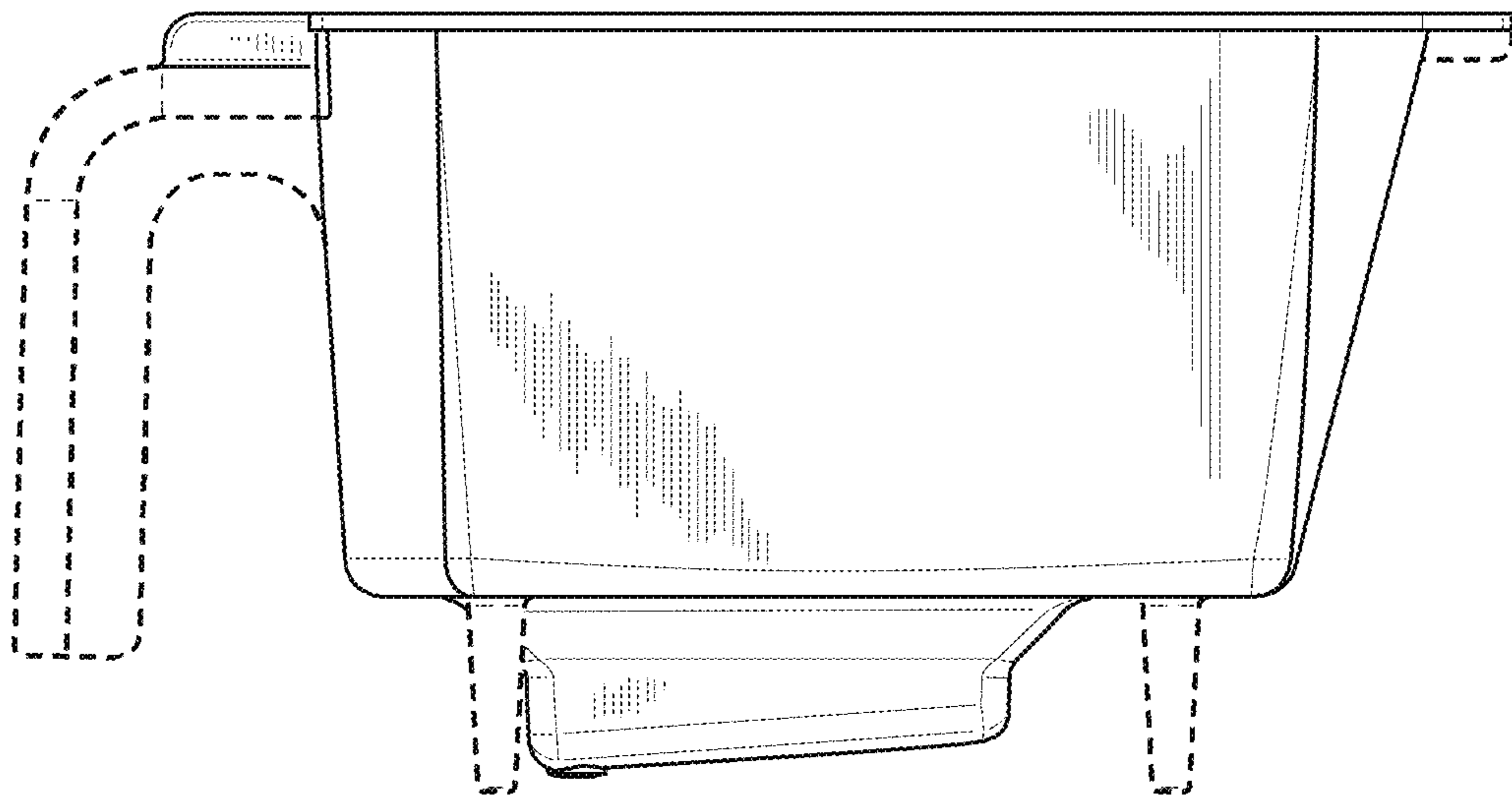


FIG. 5

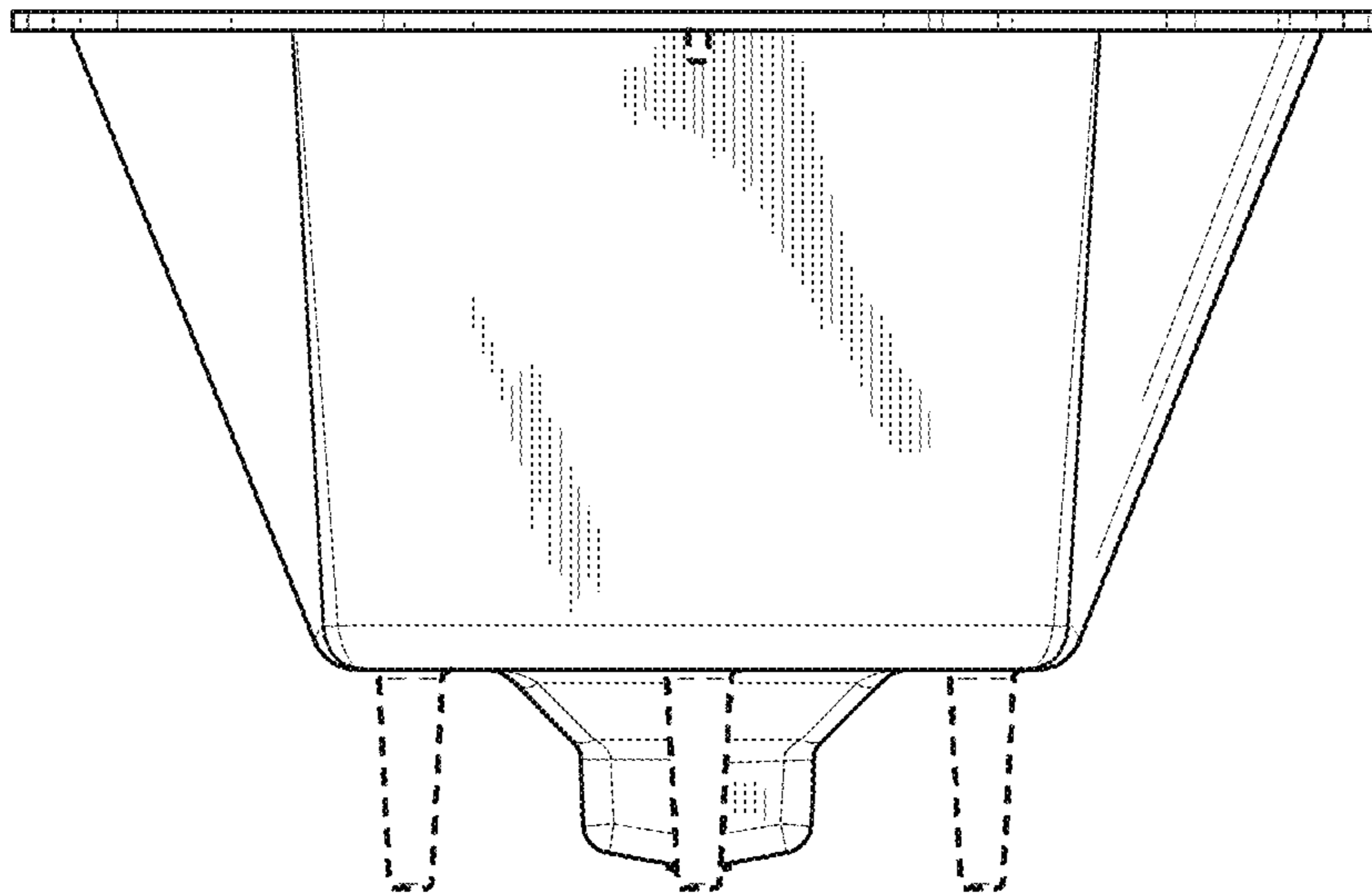


FIG. 6

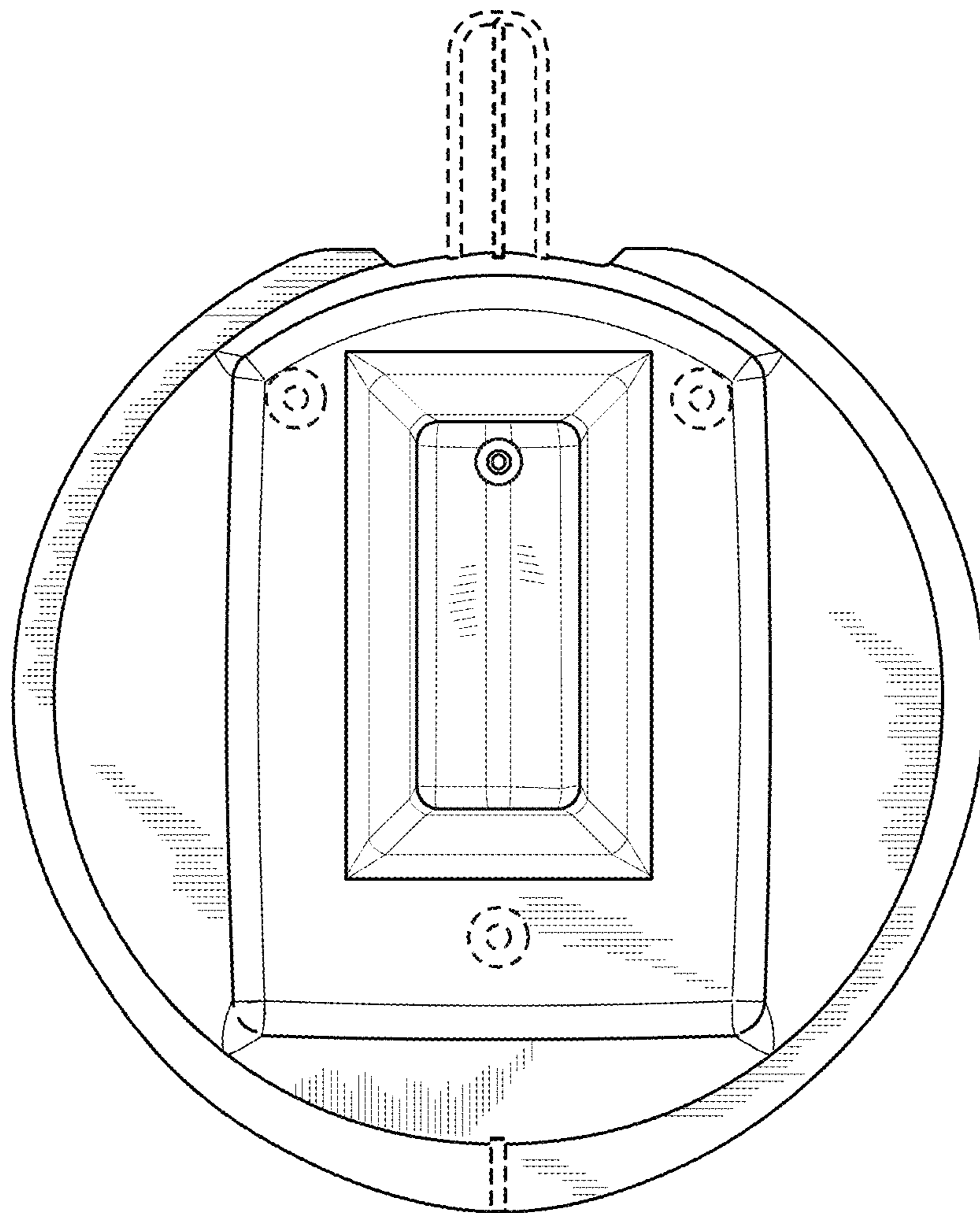


FIG. 7