



US00D793804S

(12) **United States Design Patent** (10) **Patent No.:** **US D793,804 S**
Herbst et al. (45) **Date of Patent:** **** Aug. 8, 2017**

(54) **DRINKING AND MISTING BOTTLE WITH OBROUND CARRYING LOOP**

- (71) Applicant: **O2 COOL, LLC**, Chicago, IL (US)
- (72) Inventors: **Scot Herbst**, Santa Cruz, CA (US);
Qiang Zeng, Shenzhen (CN)
- (73) Assignee: **O2COOL, INC.**, Chicago, IL (US)
- (**) Term: **15 Years**
- (21) Appl. No.: **29/552,669**
- (22) Filed: **Jan. 25, 2016**

Related U.S. Application Data

(63) Continuation of application No. 29/494,333, filed on Jun. 19, 2014, now Pat. No. Des. 747,918.

(51) **LOC (10) Cl.** **07-99**

(52) **U.S. Cl.**
USPC **D7/392.1; D7/396.2; D9/448**

(58) **Field of Classification Search**
USPC D7/507-511, 523, 532, 533, 534, 536, D7/591, 589, 590, 608, 391, 392, 392.1, D7/396.1, 396.2, 900, 387, 213, 531, 300, D7/300.1; D9/695, 696, 697, 700, 701, D9/711, 712, 715, 718, 719, 726, 727, D9/776, 501, 505, 504, 503, 537, 535, D9/563, 547, 544, 905, 569, 516, 442, D9/440, 685, 448; D28/9, 75, 76, 88; D27/172, 173, 183, 186; 206/270, 259, 206/265, 121, 499, 212; D24/224; 220/703, 711, 254.3, 254.7, 669; 215/235, 306
CPC A45F 3/16; A47G 19/2266; G01K 1/083; B65D 51/26; B65D 85/12; B65D 23/065; B65D 1/265; B65D 55/16; B65D 47/066; A24F 25/02; A45D 33/00; G01F 9/00

See application file for complete search history.

(56) **References Cited**

U.S. PATENT DOCUMENTS

D411,801 S	7/1999	Kinneir et al.	
D451,023 S	11/2001	Kitamura et al.	
D463,280 S *	9/2002	Brozell	D9/449
D477,225 S *	7/2003	Pinnavaia	D9/435
D485,132 S *	1/2004	Ohno	D7/608
D485,180 S *	1/2004	Brozell	D9/449
D529,339 S	10/2006	Carreno et al.	
D533,061 S	12/2006	Li	
D538,110 S *	3/2007	Kitamura	D7/608
D590,661 S	4/2009	Kitamura et al.	
D592,012 S	5/2009	Carreno	
D596,460 S	7/2009	Nezu	
D608,640 S	1/2010	Carreno	

(Continued)

Primary Examiner — Marianne Pandozzi

Assistant Examiner — Jae Liang

(74) *Attorney, Agent, or Firm* — Thompson Coburn LLP

(57) **CLAIM**

The ornamental design for a “drinking and misting bottle with obround carrying loop”, as shown and described.

DESCRIPTION

FIG. 1 is a top right perspective view of a drinking and misting bottle with obround carrying loop showing our new design;

FIG. 2 is a bottom left perspective view thereof;

FIG. 3 is a front elevational view thereof;

FIG. 4 is a left side elevational view thereof;

FIG. 5 is a rear elevational view thereof;

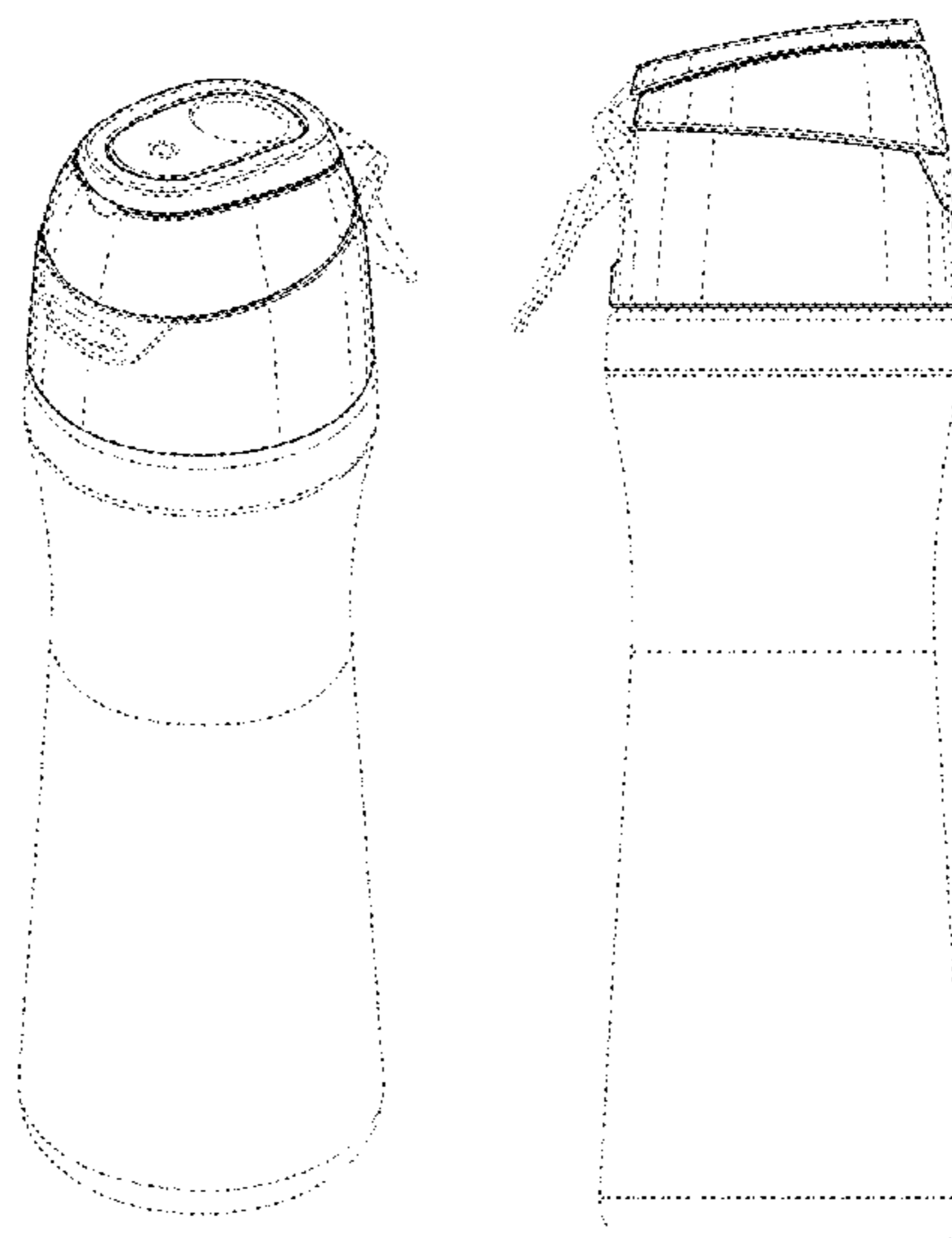
FIG. 6 is a right side elevational view thereof;

FIG. 7 is a top plan view thereof; and,

FIG. 8 is a bottom view thereof.

The broken line showing in the figure drawings are included for the purpose of illustration and form no part of the claimed design.

1 Claim, 7 Drawing Sheets



(56)

References Cited

U.S. PATENT DOCUMENTS

D614,961 S * 5/2010 Thomas D9/435
D619,418 S 7/2010 Nezu et al.
D635,024 S * 3/2011 Stolle D9/435
RE42,484 E 6/2011 Kitamura et al.
D661,989 S * 6/2012 Praster D9/444
D675,060 S * 1/2013 Lane D7/392.1
D676,708 S * 2/2013 Lane D7/510
D677,573 S * 3/2013 Papiernik D9/420
D680,433 S * 4/2013 Lepage D9/447
D686,040 S 7/2013 Lane
D686,871 S 7/2013 Lane
D690,557 S * 10/2013 Carreno D7/510
D690,558 S 10/2013 Lane
D690,559 S * 10/2013 Lane D7/510
8,550,269 B2 10/2013 Lane
D695,069 S * 12/2013 Lane D7/510
D700,515 S 3/2014 Herbst
8,689,989 B2 4/2014 Lane
D718,626 S 12/2014 Lane
D725,966 S 4/2015 Boroski et al.
D734,151 S 7/2015 Herbst
D747,918 S * 1/2016 Herbst D7/392.1
D752,977 S * 4/2016 Herbst D9/448
D759,485 S * 6/2016 Boroski D9/449
D761,652 S * 7/2016 Dietvorst D9/449
D770,222 S * 11/2016 Boroski D7/392.1
D780,578 S * 3/2017 Lane D7/396.2
2011/0170807 A1 7/2011 Khubani
2016/0235252 A1 * 8/2016 Muir A47J 43/27

* cited by examiner

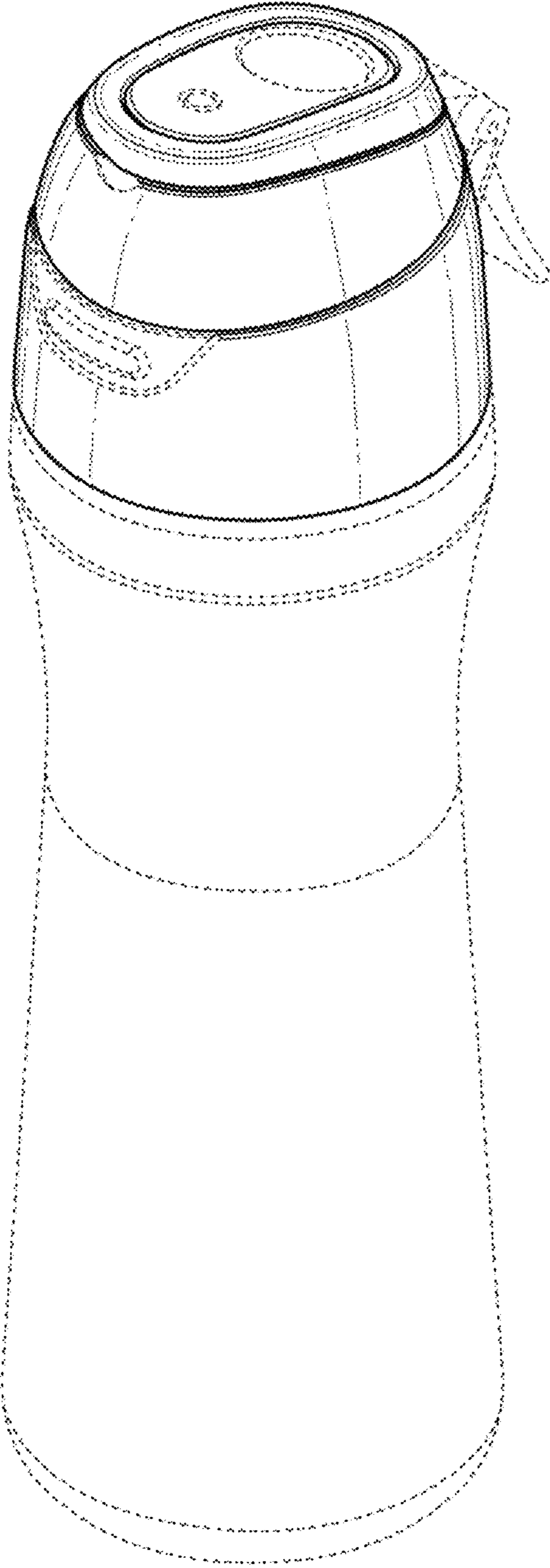


FIG. 1

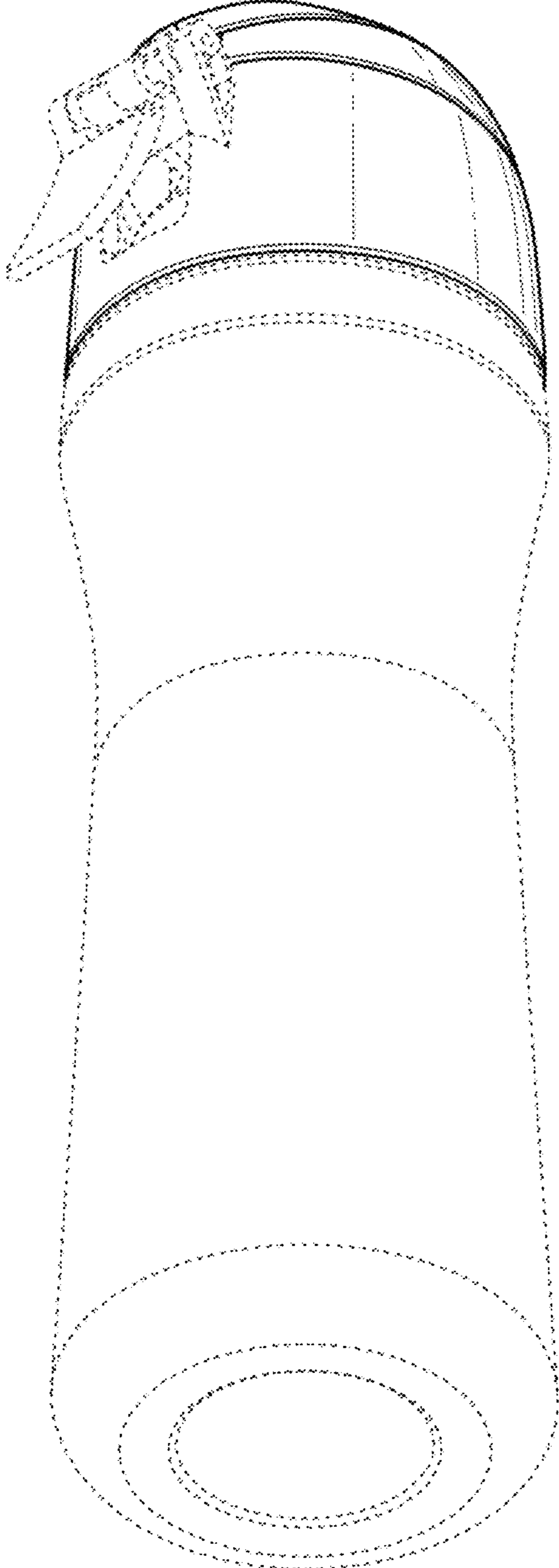


FIG. 2

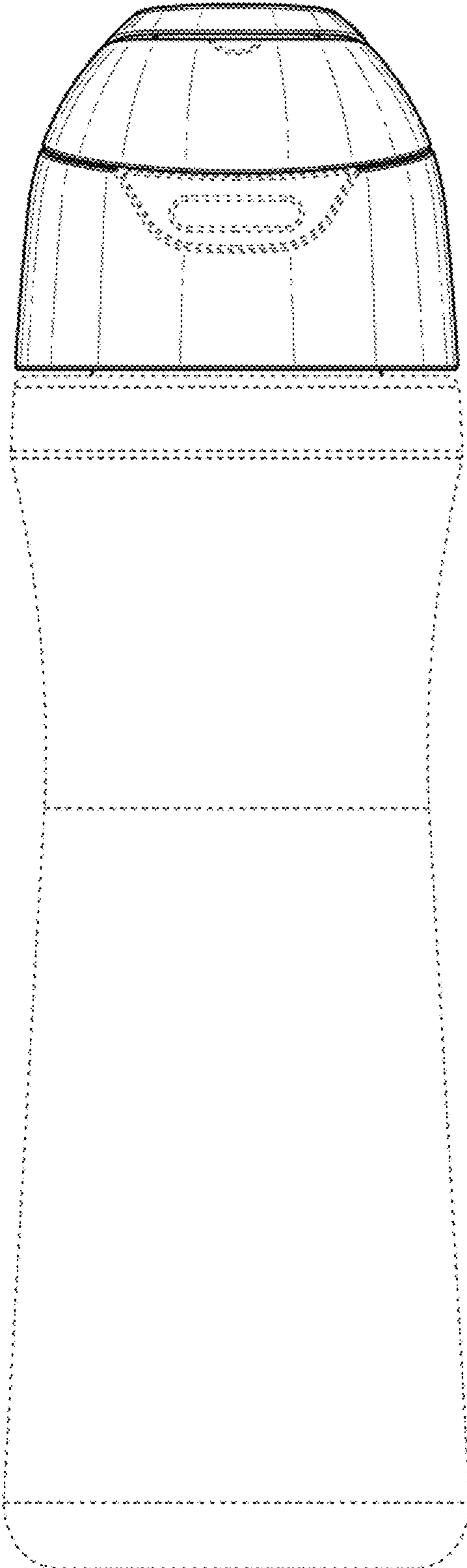


FIG. 3

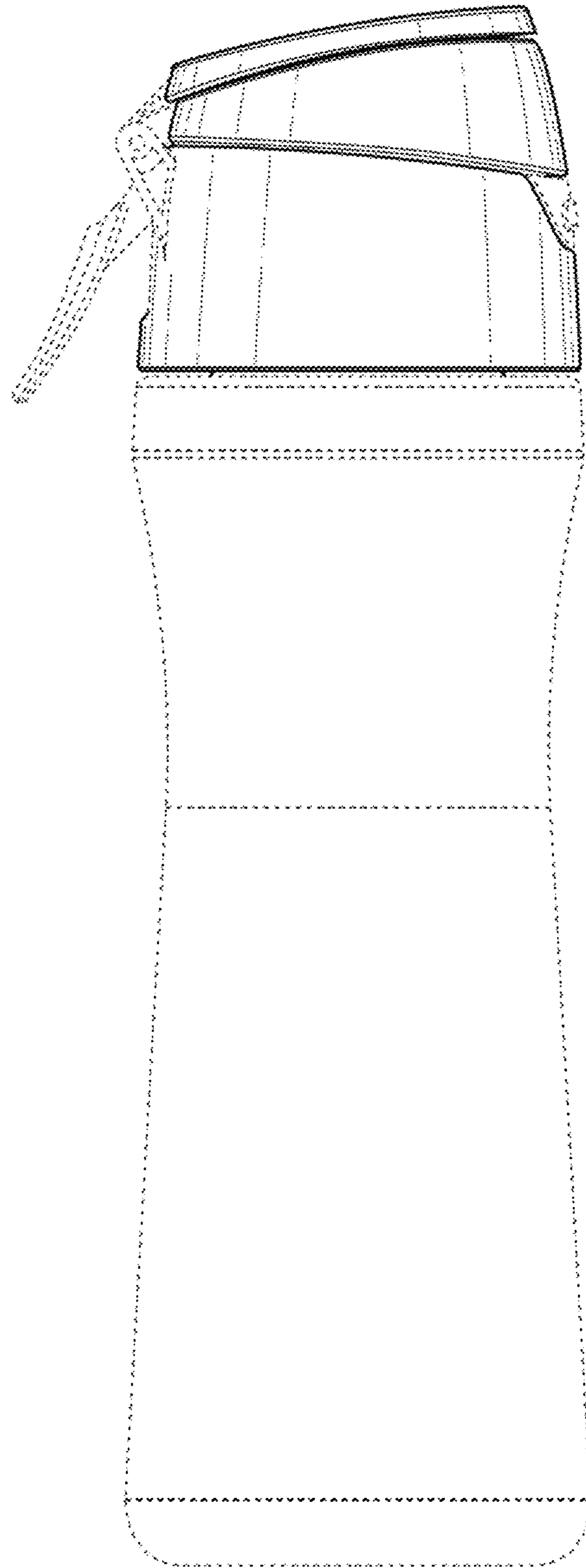


FIG. 4

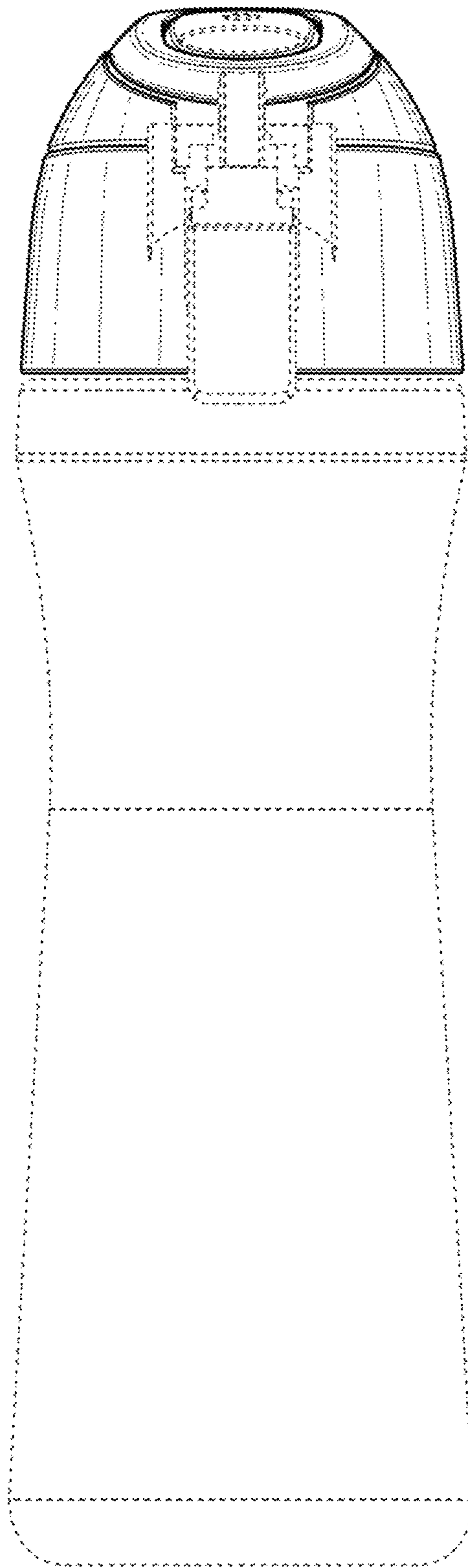


FIG. 5

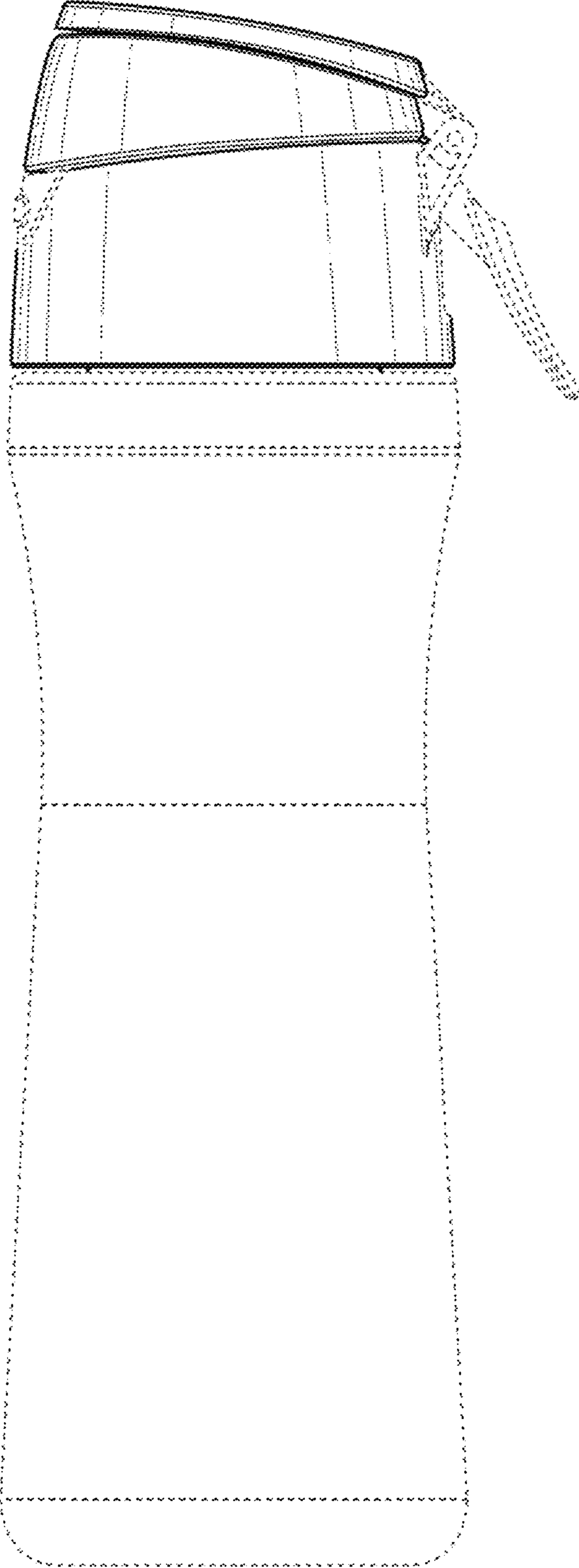


FIG. 6

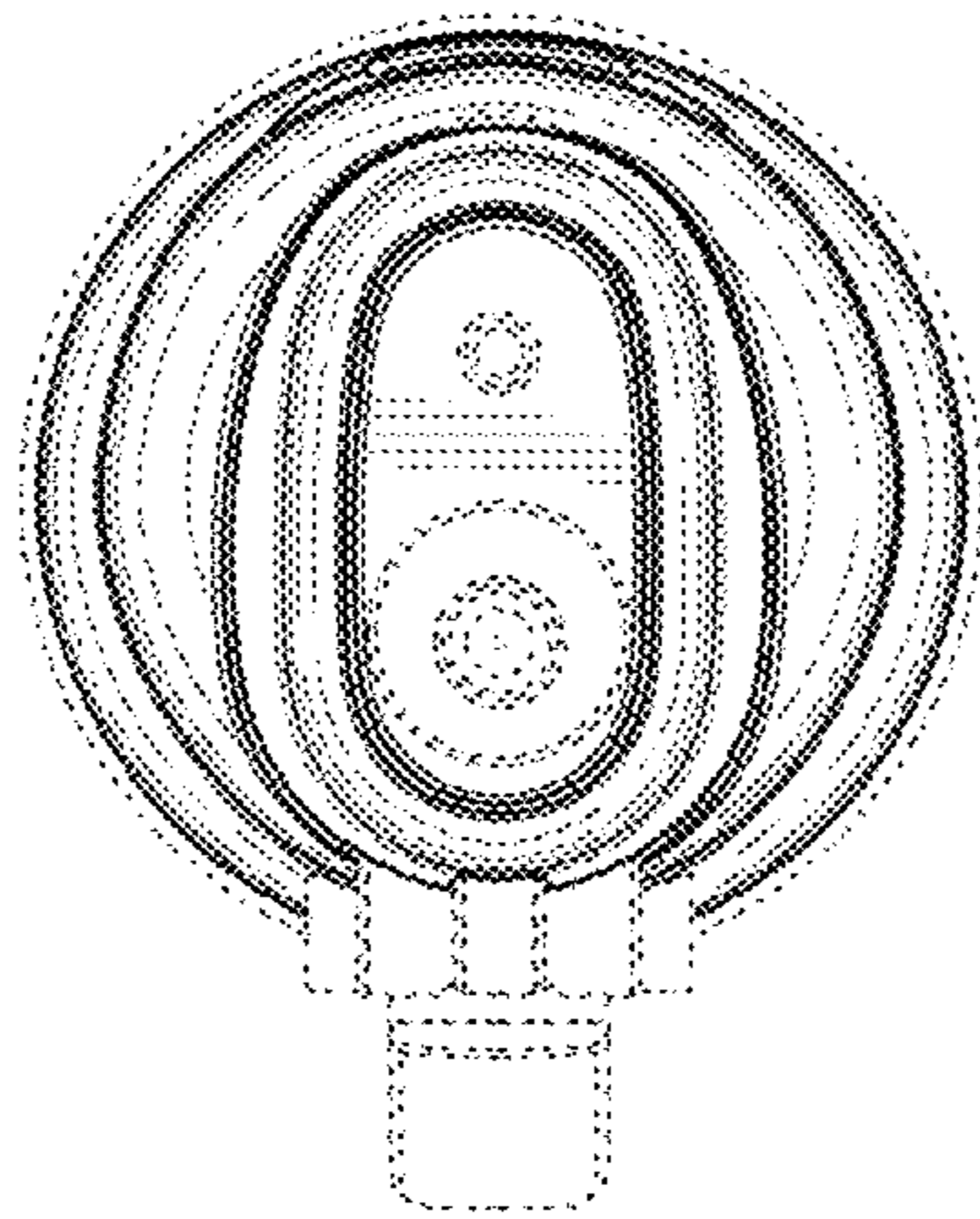


FIG. 7

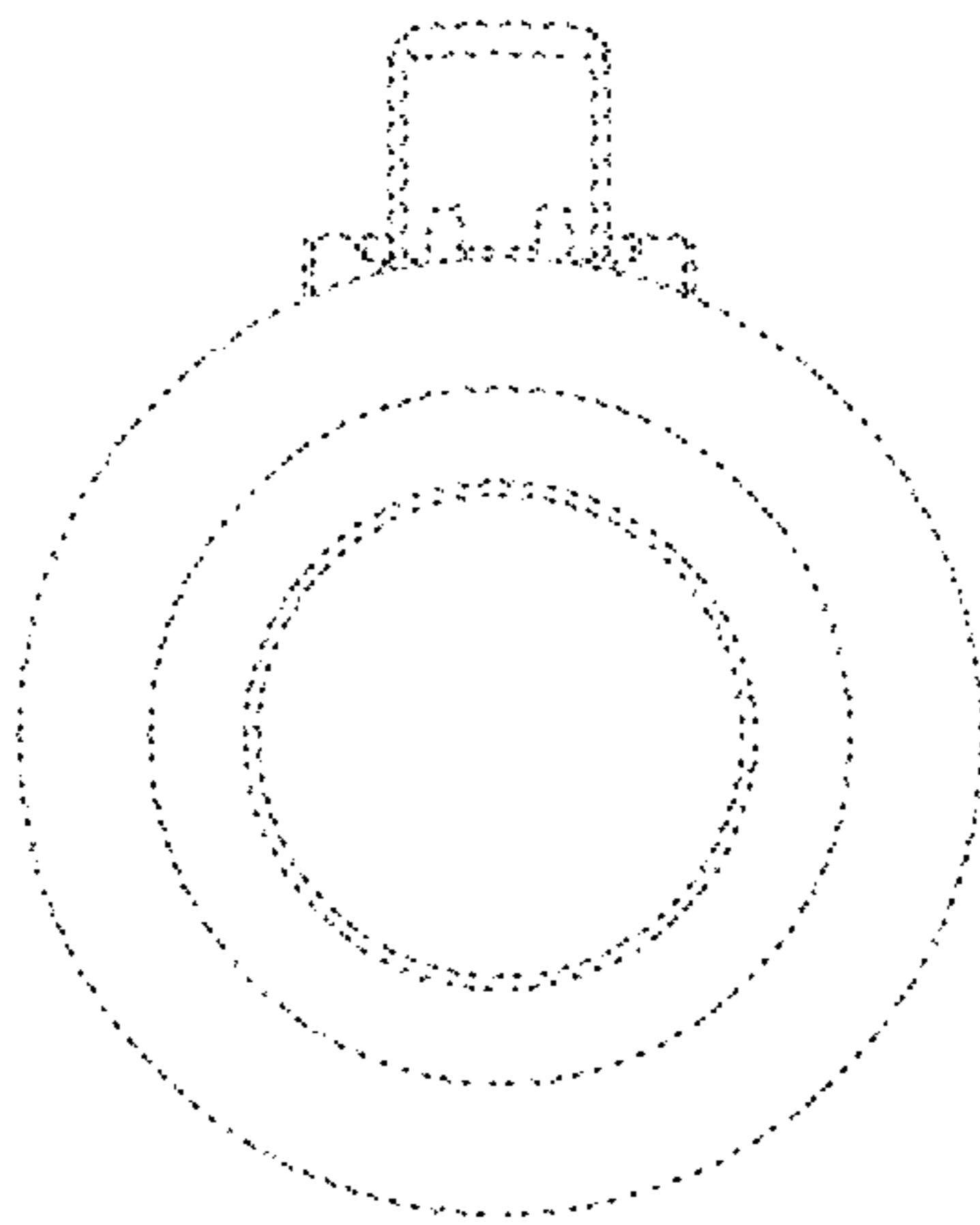


FIG. 8