



US00D793803S

(12) **United States Design Patent** (10) **Patent No.:** **US D793,803 S**
Patel (45) **Date of Patent:** **** Aug. 8, 2017**

(54) **BLENDER BASE** 6,962,432 B2 * 11/2005 Hofeldt A47J 43/042
215/309
(71) Applicant: **Newtonstein Corp. USA**, Wilmington, DE (US) D518,994 S * 4/2006 Lin D7/378
D556,506 S * 12/2007 Spagnolo D7/378
D621,206 S * 8/2010 Matta D7/372
(72) Inventor: **Priyesh Patel**, Wilmington, DE (US) D678,008 S * 3/2013 May D7/679
D695,563 S * 12/2013 Warburton D7/376
(73) Assignee: **Newtonstein Corp. USA**, Willmington, DE (US) D728,302 S * 5/2015 Vu D7/376
D731,235 S * 6/2015 Bradley D7/376
9,364,806 B2 * 6/2016 King B01F 15/00409
D776,973 S * 1/2017 Du D7/376
(**) Term: **15 Years** 2002/0117566 A1 * 8/2002 Cheng A47J 42/08
241/169.1

(21) Appl. No.: **29/558,463**

(22) Filed: **Mar. 18, 2016**

(51) **LOC (10) Cl.** **31-00**

(52) **U.S. Cl.**
USPC **D7/386**; D7/376; D7/378; D7/412

(58) **Field of Classification Search**
USPC D7/372, 376-386, 412-413, 602, 629,
D7/665-666, 669, 679, 693-694
CPC A21C 1/02; A21C 1/04; A23N 1/00; A23N
1/02; A47J 42/08; A47J 43/04; A47J
43/25; A47J 43/27; A47J 43/042; A47J
43/044; A47J 43/046; A47J 43/075; A47J
43/0722; A47J 43/0727; B01F 3/00; B01F
3/0807; B01F 3/0853; B01F 13/0059;
B01F 13/0064; B01F 15/00409; B02C
1/08; B02C 2/04; B02C 4/42; B02C
4/142; B02C 4/143; B02C 4/423; B02C
13/1835; B28C 5/10; B28C 5/12; B28C
5/14; B28C 5/16

See application file for complete search history.

(56) **References Cited**

U.S. PATENT DOCUMENTS

3,064,949 A * 11/1962 Dewenter A47J 43/046
241/195
5,720,552 A * 2/1998 Schindlegger A47J 43/27
366/197

* cited by examiner

Primary Examiner — Ricky Pham

(74) *Attorney, Agent, or Firm* — Squire Patton Boggs
(US) LLP

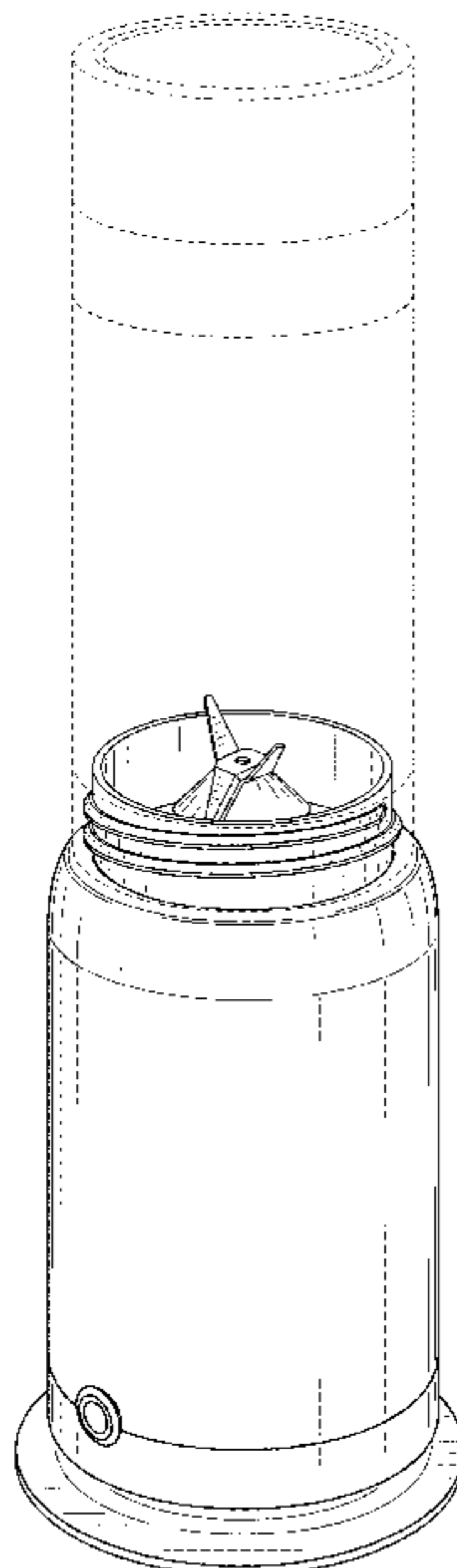
(57) **CLAIM**

The ornamental design for a blender base, as shown and described.

DESCRIPTION

FIG. 1 is a side perspective view of a blender base configured for use with a container;
FIG. 2 is a front view of the blender base;
FIG. 3 is a back view of the blender base;
FIG. 4 is a left view of the blender base;
FIG. 5 is a right view of the blender base;
FIG. 6 is a top view of the blender base; and,
FIG. 7 is a bottom view of the blender base.
The broken lines defining a container depict environmental subject matter that forms no part of the claimed design.

1 Claim, 6 Drawing Sheets



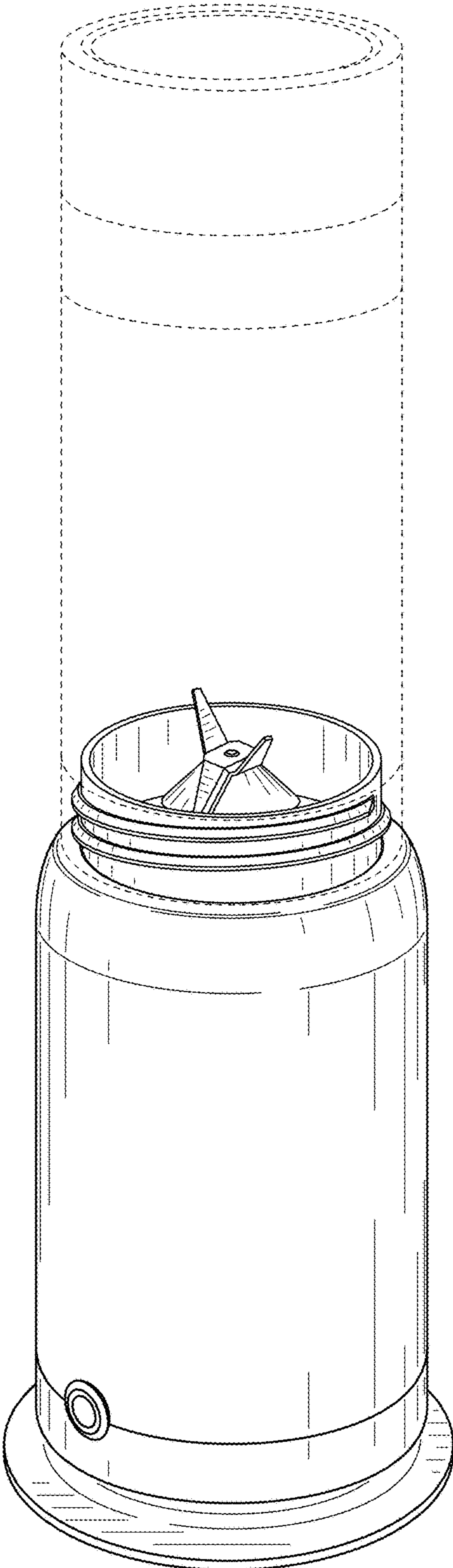


FIG. 1

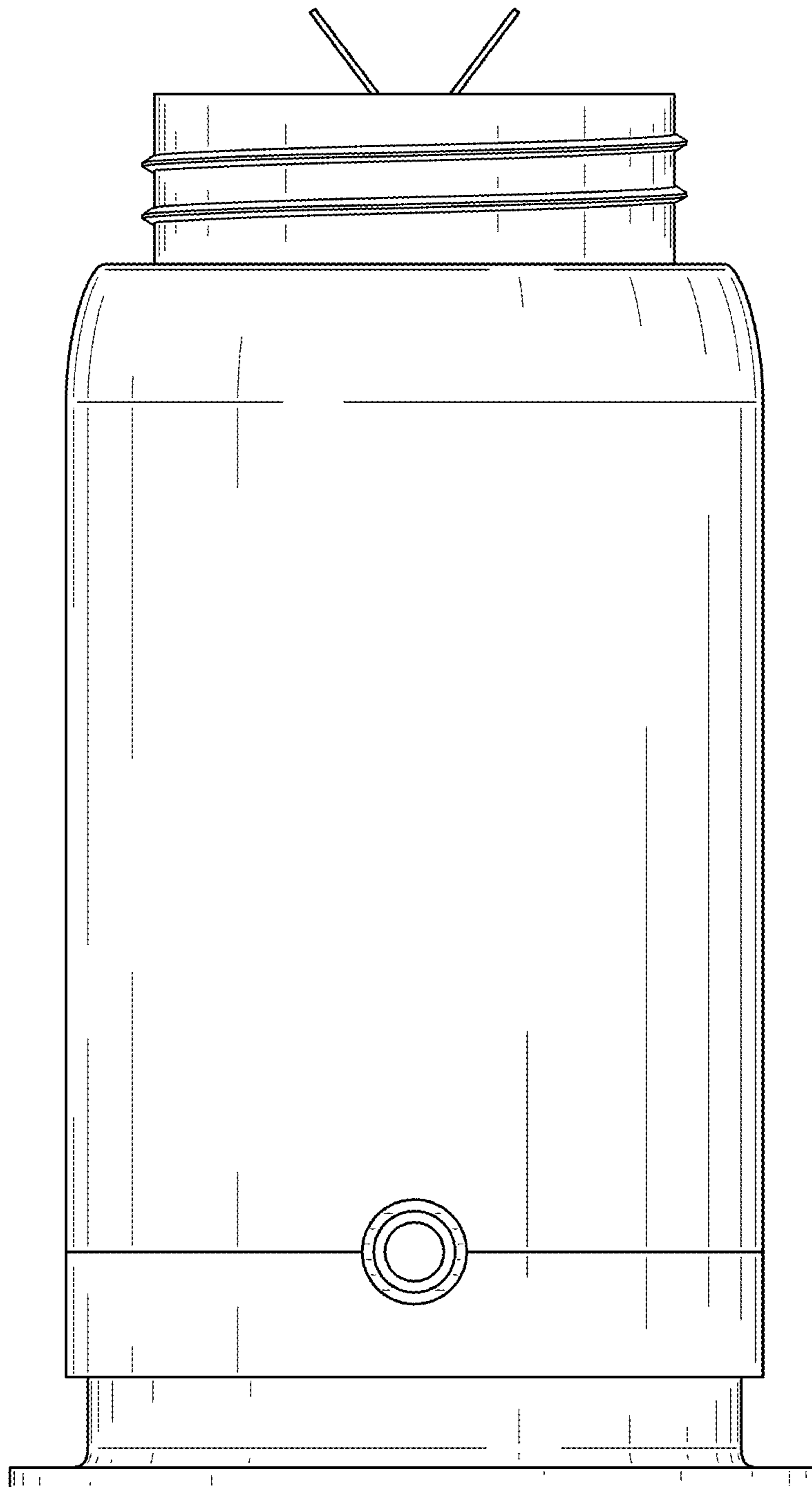


FIG. 2

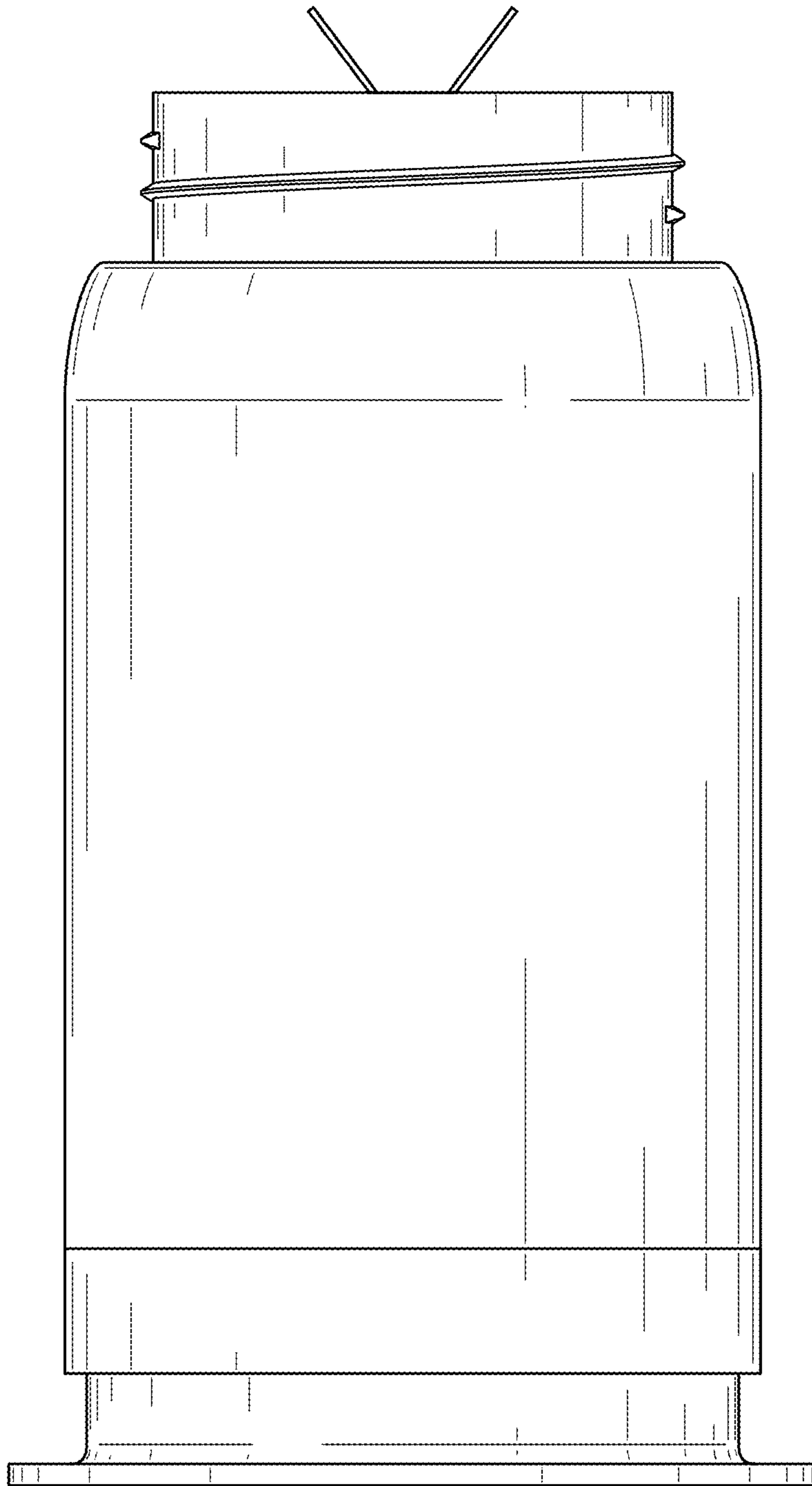


FIG. 3

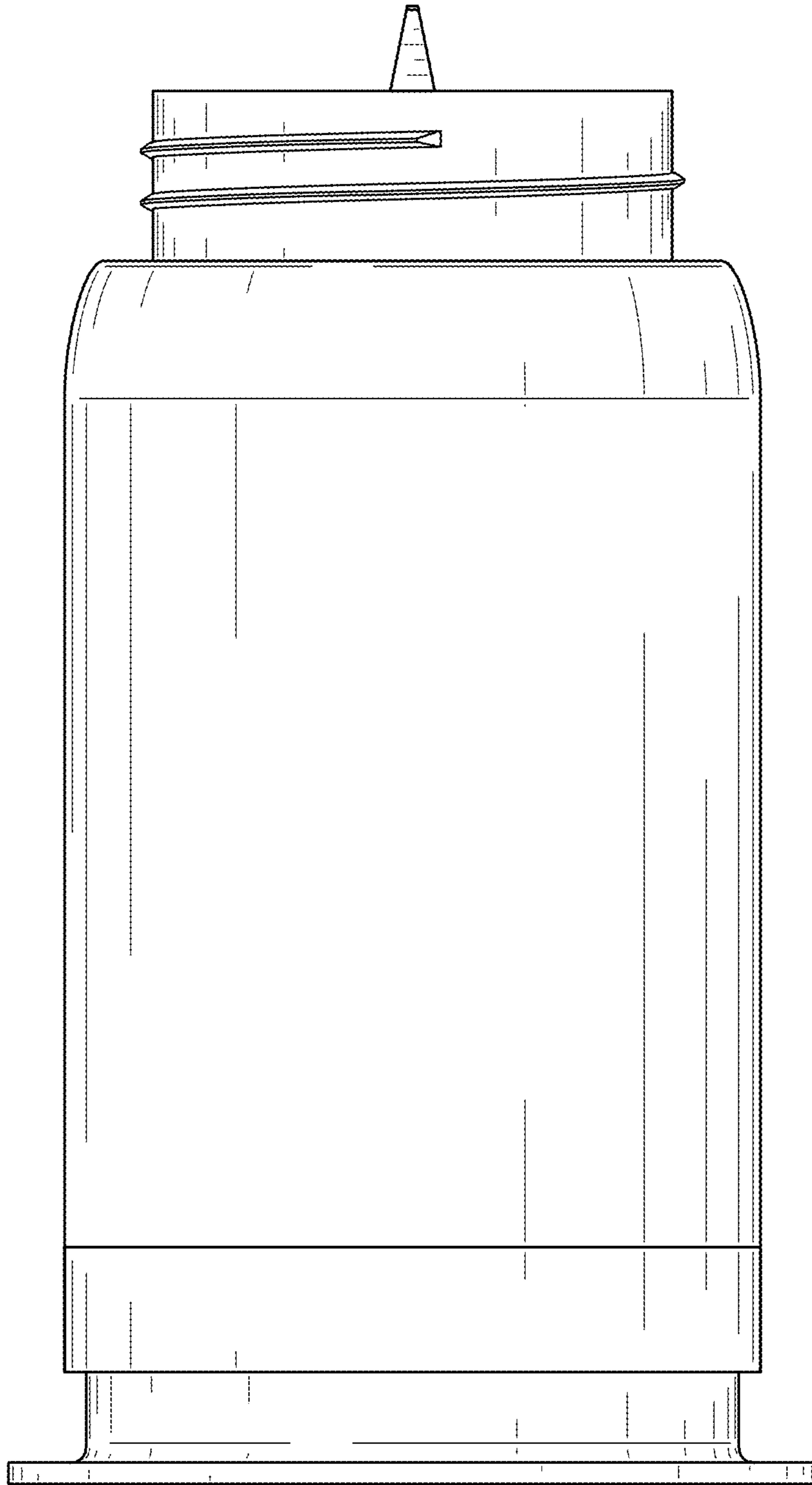


FIG. 4

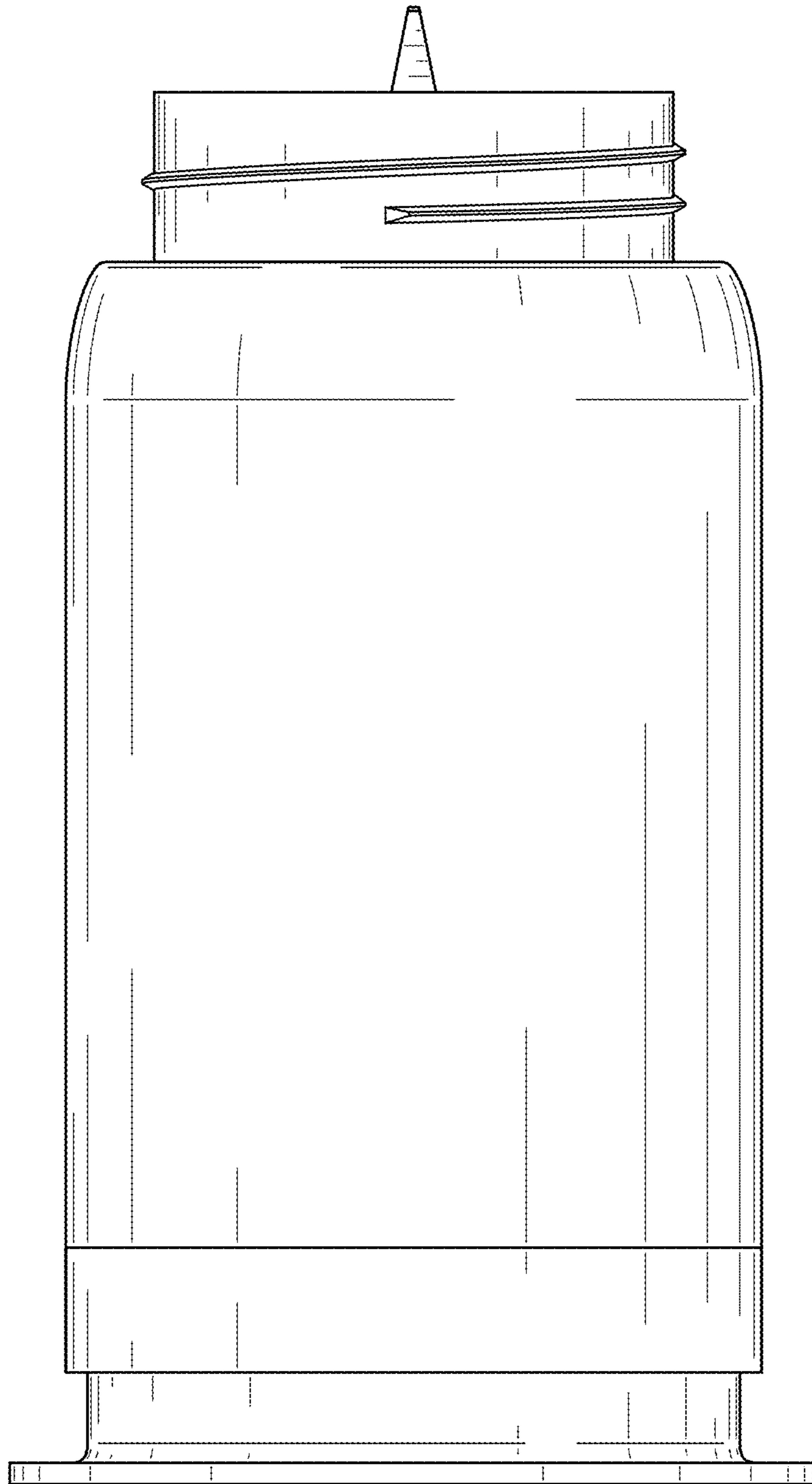


FIG. 5

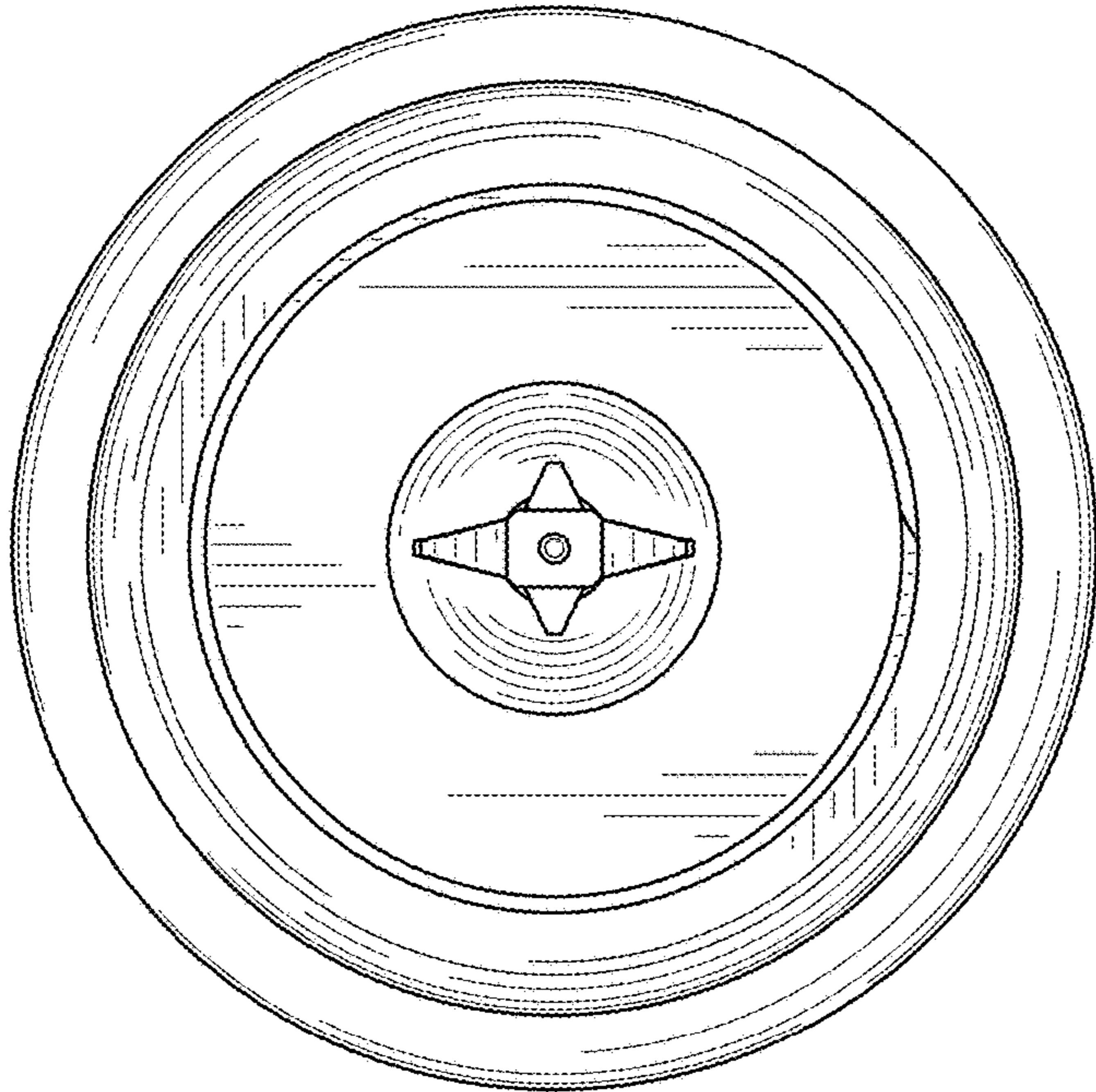


FIG. 6

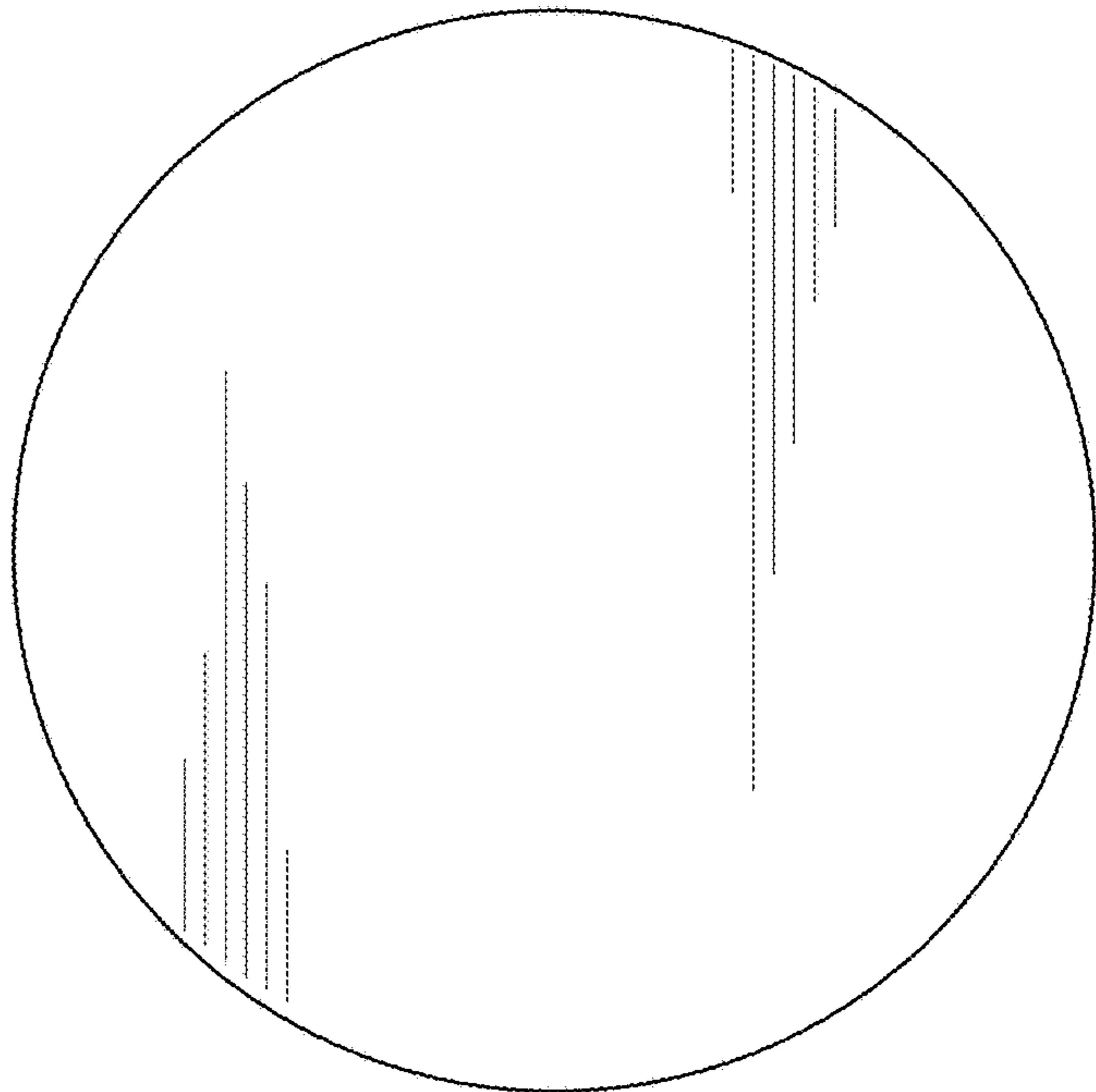


FIG. 7