



US00D793802S

(12) **United States Design Patent** (10) **Patent No.:** **US D793,802 S**
Thomas (45) **Date of Patent:** **** Aug. 8, 2017**

(54) **HAND MIXER**
(71) Applicant: **Dana Thomas**, Atlanta, GA (US)
(72) Inventor: **Dana Thomas**, Atlanta, GA (US)
(**) Term: **15 Years**
(21) Appl. No.: **29/547,808**
(22) Filed: **Dec. 8, 2015**
(51) **LOC (10) Cl.** **31-00**
(52) **U.S. Cl.**
USPC **D7/379**; D7/376; D7/380; D7/395
(58) **Field of Classification Search**
USPC D7/372, 376, 378-381, 383, 393, 395,
D7/669
CPC .. A21C 1/02; A21C 1/04; A47J 43/044; A47J
43/042; A47J 43/04409; A47J 43/0722;
A47J 43/0755; A47J 43/07; A47J 43/10;
A47J 43/1031; A47J 43/1056; A47J
43/04; B01F 3/00
See application file for complete search history.

D530,574 S * 10/2006 Thornton D7/679
D533,022 S 12/2006 Piret
D534,032 S 12/2006 Lloyd
(Continued)

FOREIGN PATENT DOCUMENTS

DE 103 16 425 A1 10/2004
EP 1 980 185 A1 10/2008
(Continued)

Primary Examiner — Caron D Veynar
Assistant Examiner — Mehri Bajoul
(74) *Attorney, Agent, or Firm* — Smith Gambrell &
Russell LLP

(57) **CLAIM**

The ornamental design for a hand mixer, as shown and described.

DESCRIPTION

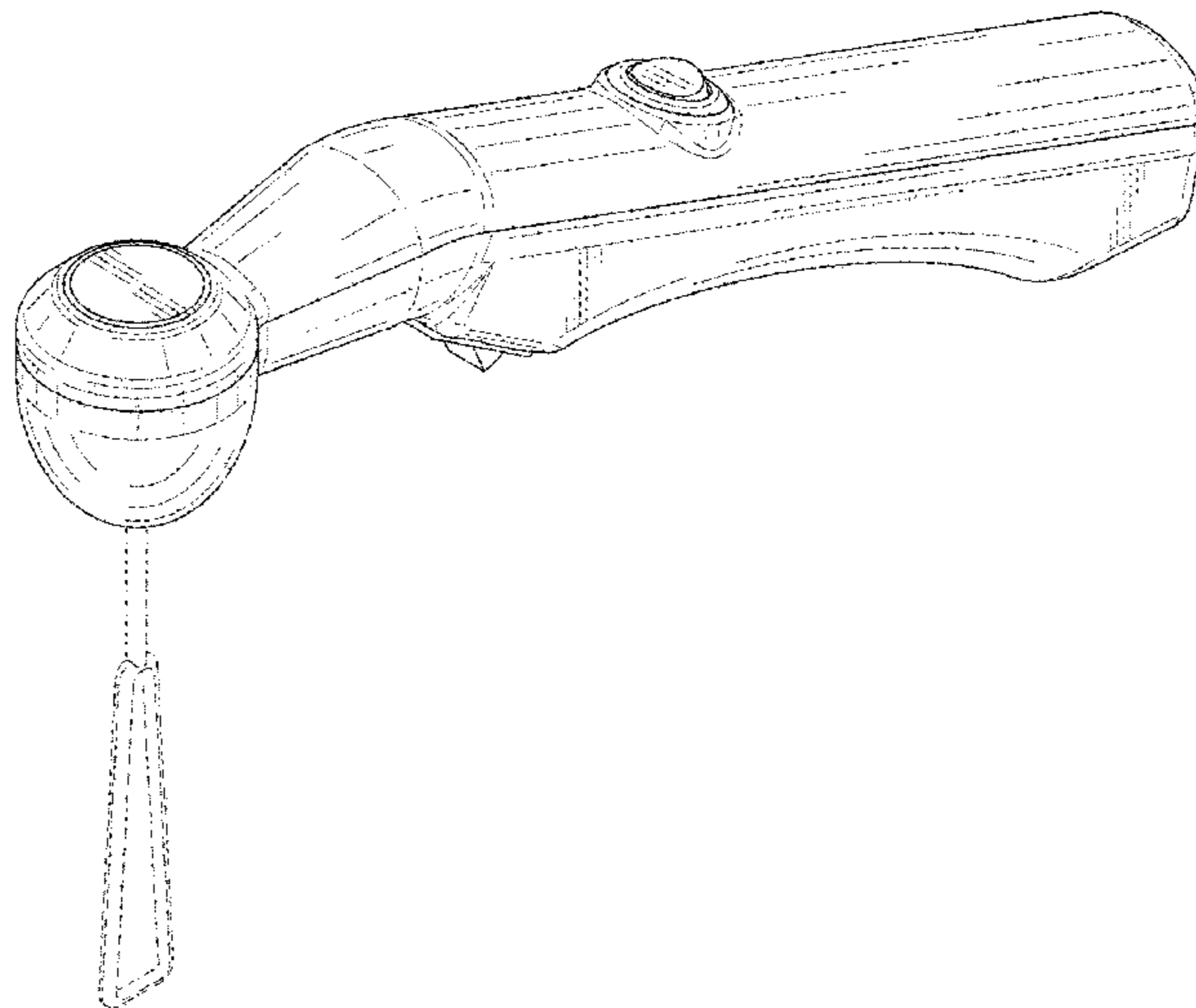
FIG. 1 is a front perspective view of a hand mixer of the present invention.
FIG. 2 is a back perspective view of the hand mixer of the present invention.
FIG. 3 is an end elevation view of the hand mixer of the present invention.
FIG. 4 is an opposite end elevation view of the hand mixer of the present invention.
FIG. 5 front elevation view of the hand mixer of the present invention. The back elevation view of the hand mixer of the present invention is the mirror image of the front elevation view of FIG. 5.
FIG. 6 is a top plan view of the hand mixer of the present invention; and,
FIG. 7 is a bottom plan view of the hand mixer of the present invention.
In the drawings, the broken line showing the depending beater portion of the claim forms no part of the claim.

1 Claim, 5 Drawing Sheets

(56) **References Cited**

U.S. PATENT DOCUMENTS

D313,533 S * 1/1991 Rixen D7/380
D336,591 S * 6/1993 Leung D7/376
D347,965 S * 6/1994 Hoffman D7/376
D392,504 S * 3/1998 Lallemand D7/376
D394,367 S * 5/1998 Littmann D7/376
D396,992 S * 8/1998 Lallemand D7/372
D398,809 S 9/1998 Henderson
D400,756 S * 11/1998 Henderson D7/376
D447,380 S * 9/2001 Feil D7/376
D456,206 S * 4/2002 Feil D7/376
D461,362 S * 8/2002 Coudurier D7/395
D485,729 S * 1/2004 Patton D7/376
D498,117 S * 11/2004 Lorthioir D7/395
D500,631 S * 1/2005 Ranzoni D7/376
D506,102 S 6/2005 Ikegaki
D510,837 S 10/2005 Lloyd et al.
D527,582 S * 9/2006 Wilson D7/368



(56)

References Cited

U.S. PATENT DOCUMENTS

7,172,334 B2 2/2007 Chiappetta
 D572,075 S 7/2008 Wong
 7,422,362 B2 9/2008 Sands
 D587,963 S * 3/2009 Elsener D7/395
 D589,742 S 4/2009 Ferraby
 D592,447 S 5/2009 Blaise
 D613,992 S * 4/2010 Seo D7/395
 D638,656 S * 5/2011 Brinckerhoff D7/376
 D644,479 S * 9/2011 Lownds D7/376
 D645,306 S 9/2011 Lownds
 D649,394 S 11/2011 Grabes et al.
 D651,041 S 12/2011 Bachmann et al.
 D651,846 S 1/2012 Roseby et al.
 D659,466 S * 5/2012 Wheeler D7/395
 D660,641 S 5/2012 Hoare et al.
 D662,765 S 7/2012 Grabes et al.
 D663,157 S 7/2012 Nordwall
 D663,578 S * 7/2012 Tuli D7/395

D667,682 S 9/2012 Agren
 D668,099 S 10/2012 Ferraby
 D668,911 S 10/2012 Bachmann et al.
 D670,538 S * 11/2012 Rutter D7/395
 D681,391 S 5/2013 Agren
 D686,451 S * 7/2013 Hasuike D7/395
 D695,565 S 12/2013 Verbrugge et al.
 D695,566 S 12/2013 Egger et al.
 D700,798 S 3/2014 Wu
 D708,796 S * 7/2014 Sproviero D10/104.1
 D724,374 S * 3/2015 Sanguinetti D7/376
 D730,686 S * 6/2015 Barberi D7/395
 D751,858 S * 3/2016 Zhang D7/378
 2005/0254341 A1 11/2005 Gerling et al.

FOREIGN PATENT DOCUMENTS

FR EP 2116162 A1 * 11/2009 A47J 43/07
 KR 20110002028 U * 3/2011

* cited by examiner

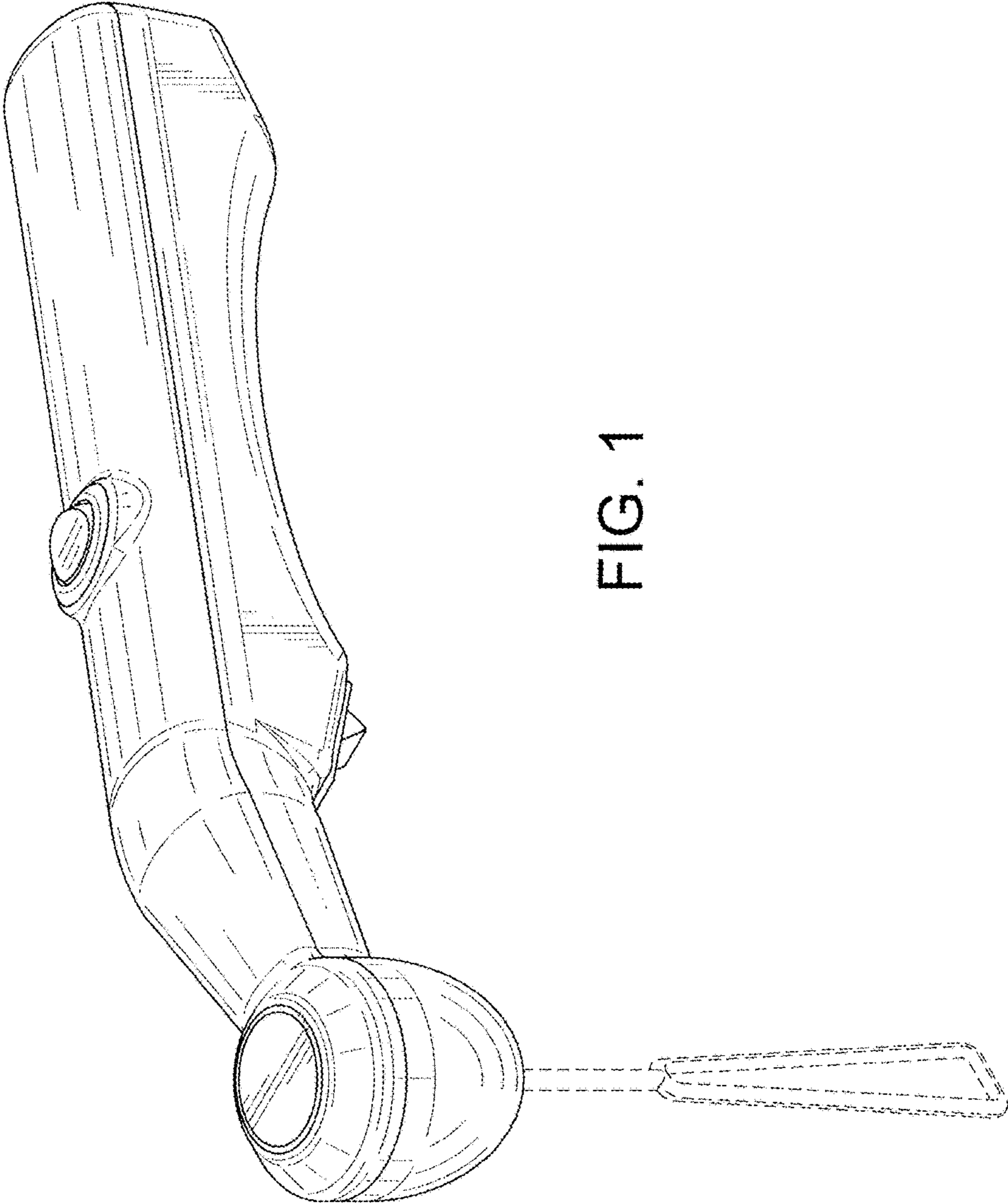


FIG. 1

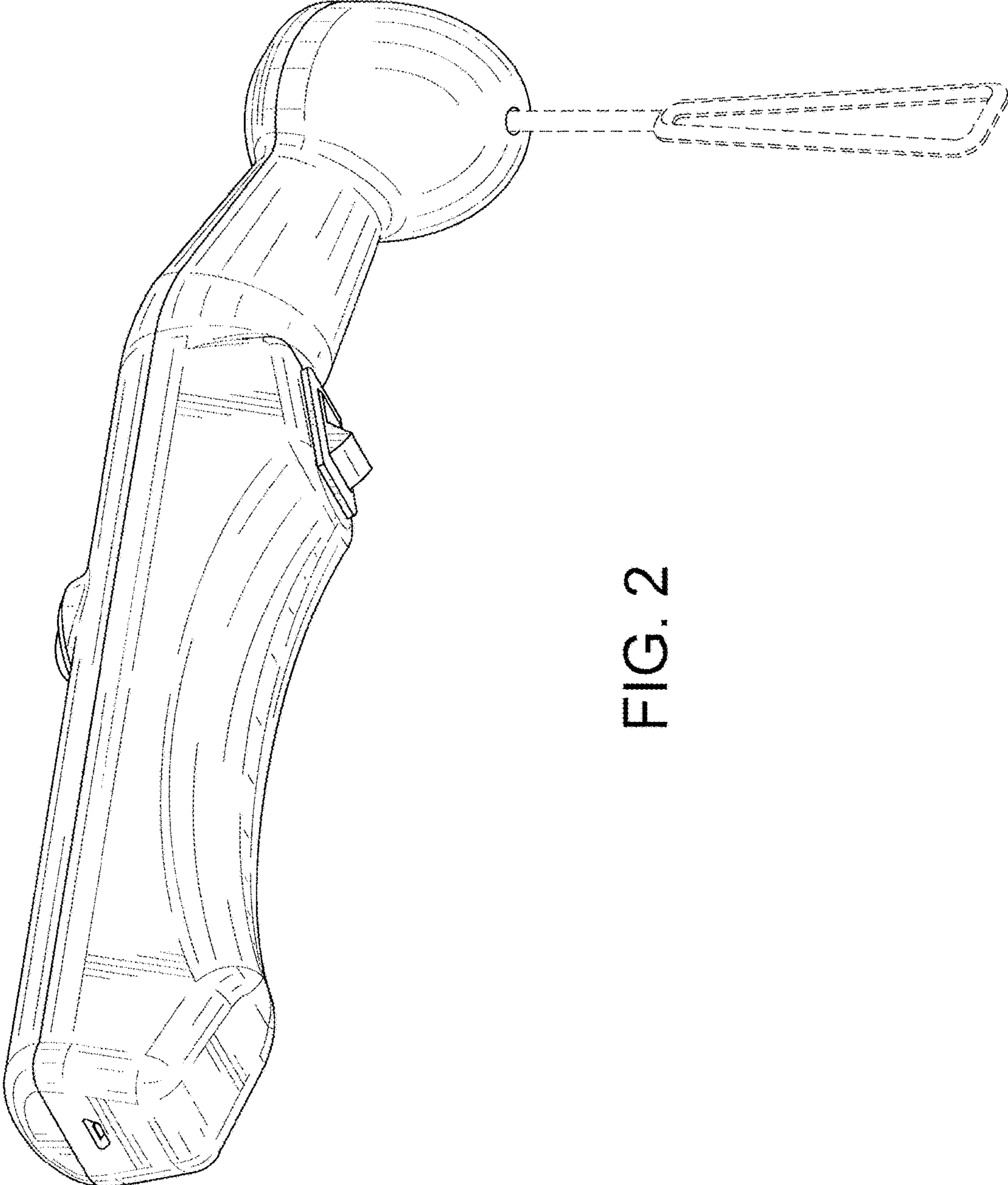


FIG. 2

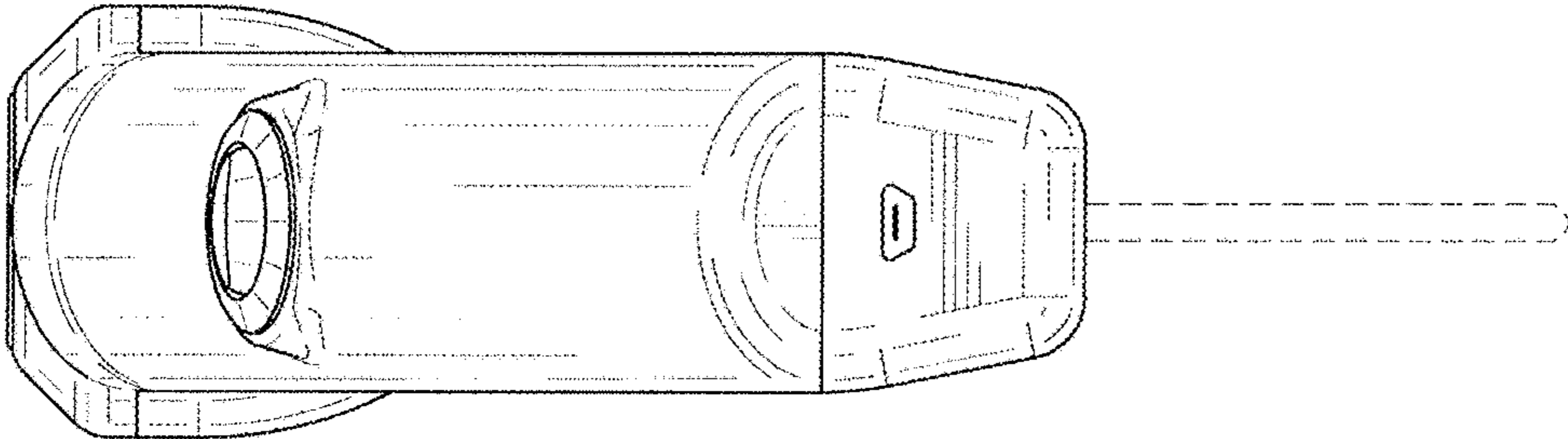


FIG. 4

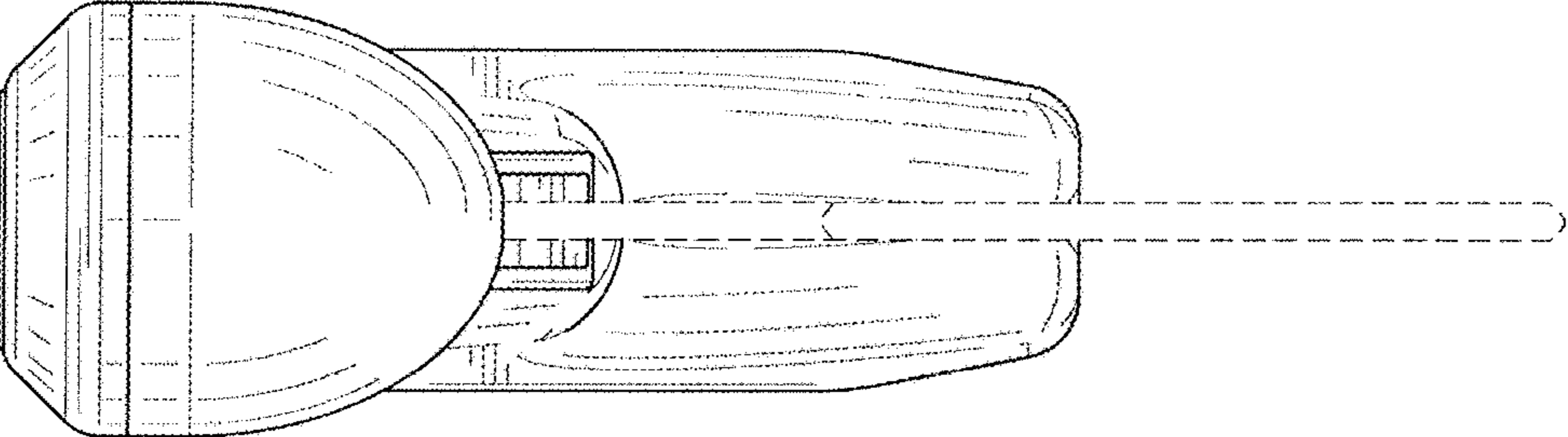


FIG. 3

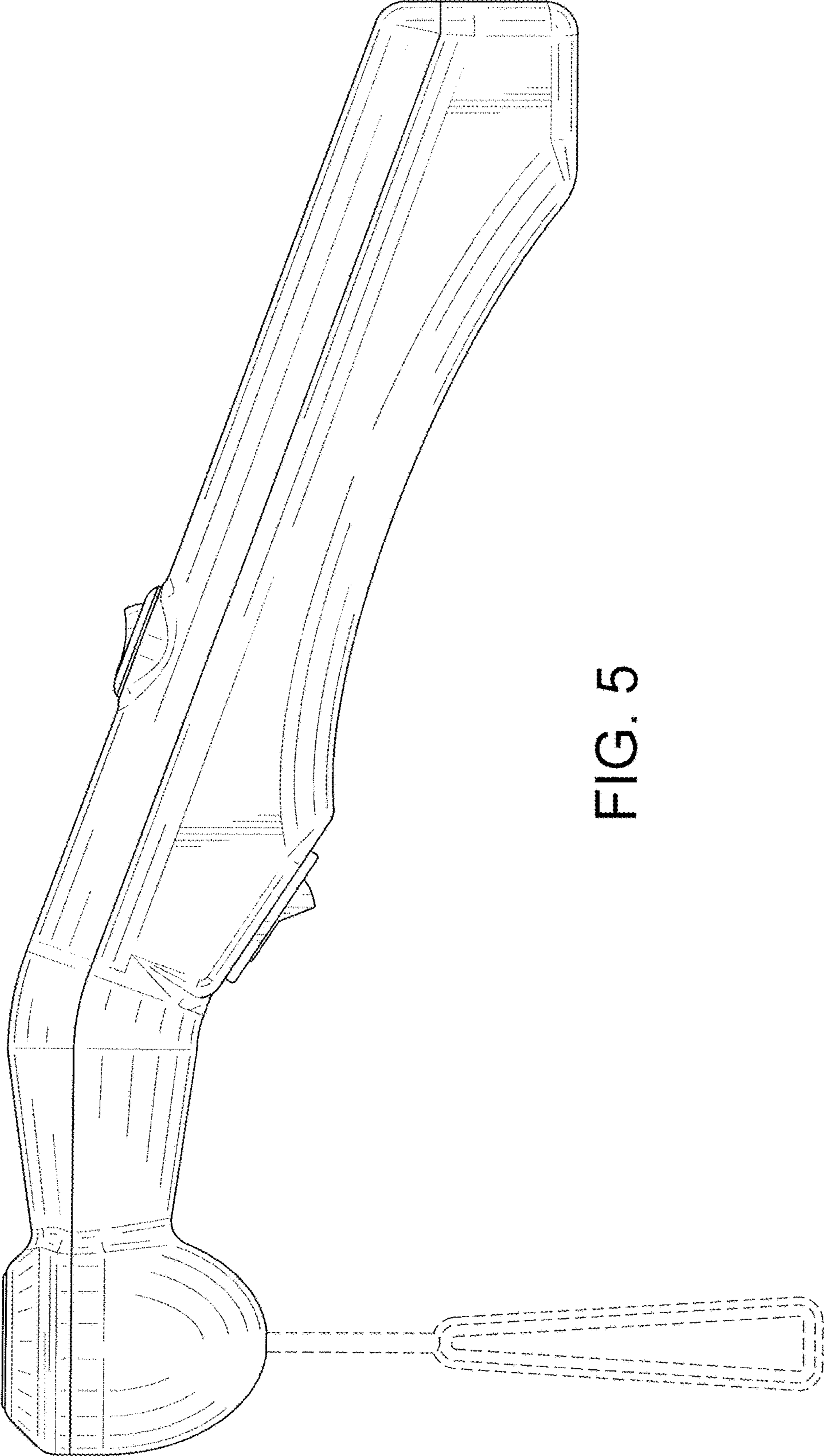


FIG. 5

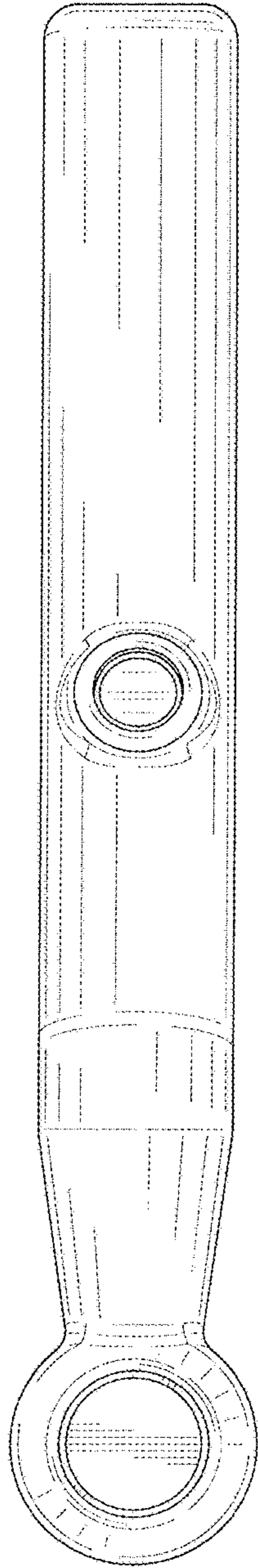


FIG. 6

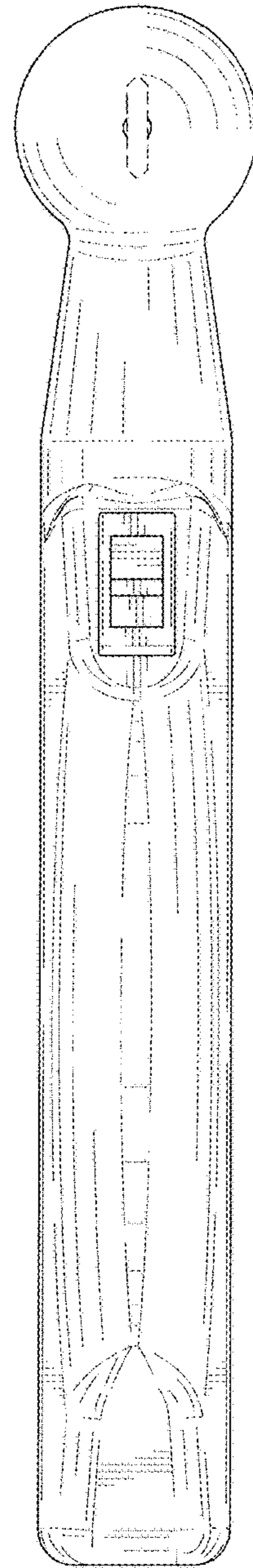


FIG. 7