



US00D793801S

(12) **United States Design Patent** (10) **Patent No.:** **US D793,801 S**
Bassill et al. (45) **Date of Patent:** **** Aug. 8, 2017**

(54) **INDUCTION APPLIANCE**

- (71) Applicant: **HATCO CORPORATION**,
Milwaukee, WI (US)
- (72) Inventors: **Brandon Bassill**, Malibu, CA (US);
Nick Bassill, Malibu, CA (US);
Edward Nunn, Laporte, IN (US)
- (73) Assignee: **HATCO CORPORATION**,
Milwaukee, WI (US)
- (**) Term: **15 Years**
- (21) Appl. No.: **29/563,375**
- (22) Filed: **May 4, 2016**

Related U.S. Application Data

- (60) Continuation-in-part of application No. 29/550,719, filed on Jan. 6, 2016, which is a division of application No. 29/506,842, filed on Oct. 21, 2014, now Pat. No. Des. 751,855.
- (51) **LOC (10) Cl.** **07-02**
- (52) **U.S. Cl.**
USPC **D7/367; D7/362; D7/363**
- (58) **Field of Classification Search**
USPC D7/323, 328–330, 337, 346–347,
D7/352–364, 367, 402, 409–411
CPC . A21B 5/023; A47J 27/60; A47J 27/62; A47J
37/04; A47J 37/06; A47J 37/067; A47J
37/0605; A47J 37/0611; A47J 37/0623;
A47J 37/0629; A47J 37/0676; A47J
2037/06; A47J 2037/0611; F24C 7/082;
F24C 15/10; F24C 15/102; H05B 6/02;
H05B 6/062; H05B 6/1227
See application file for complete search history.

(56) **References Cited**

U.S. PATENT DOCUMENTS

D187,835 S *	5/1960	Lee	D7/356
D195,657 S *	7/1963	Sullivan	D7/364
4,145,603 A *	3/1979	Mackay	H05B 3/748 219/387
5,687,642 A *	11/1997	Chao	H05B 6/1227 219/624
5,740,723 A *	4/1998	Lin	A47J 37/0682 126/39 K
6,087,637 A *	7/2000	Fischer	F24C 7/082 219/443.1
D438,423 S *	3/2001	Bassill	D7/367
D501,117 S *	1/2005	Bassill	D7/367
D580,701 S *	11/2008	Wojcik	D7/367
D621,205 S *	8/2010	Yeung	D7/367
D644,867 S *	9/2011	Janvier	D7/362
D751,855 S *	3/2016	Bassill	D7/362
D755,560 S *	5/2016	Day	D7/352

* cited by examiner

Primary Examiner — Ricky Pham

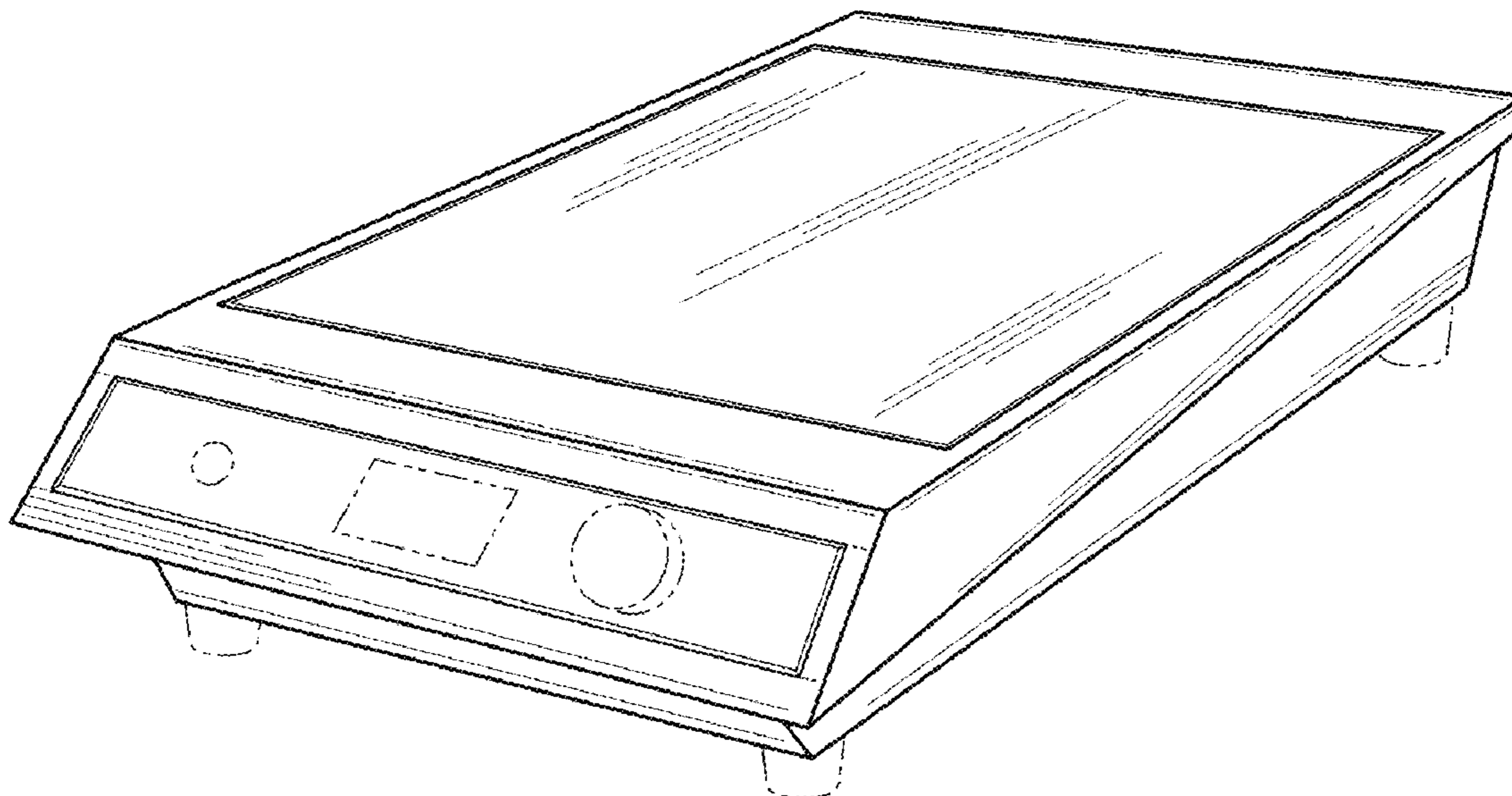
(57) **CLAIM**

The ornamental design for an induction appliance, as shown and described.

DESCRIPTION

FIG. 1 is a perspective view of the induction appliance; FIG. 2 is a front elevation view thereof; FIG. 3 is a rear elevation view thereof; FIG. 4 a right side elevation view thereof; FIG. 5 is a left side elevation view thereof; FIG. 6 is a top plan view thereof; and, FIG. 7 is a bottom plan view thereof. The broken lines in the drawings represent unclaimed subject matter and form no part of the claim.

1 Claim, 2 Drawing Sheets



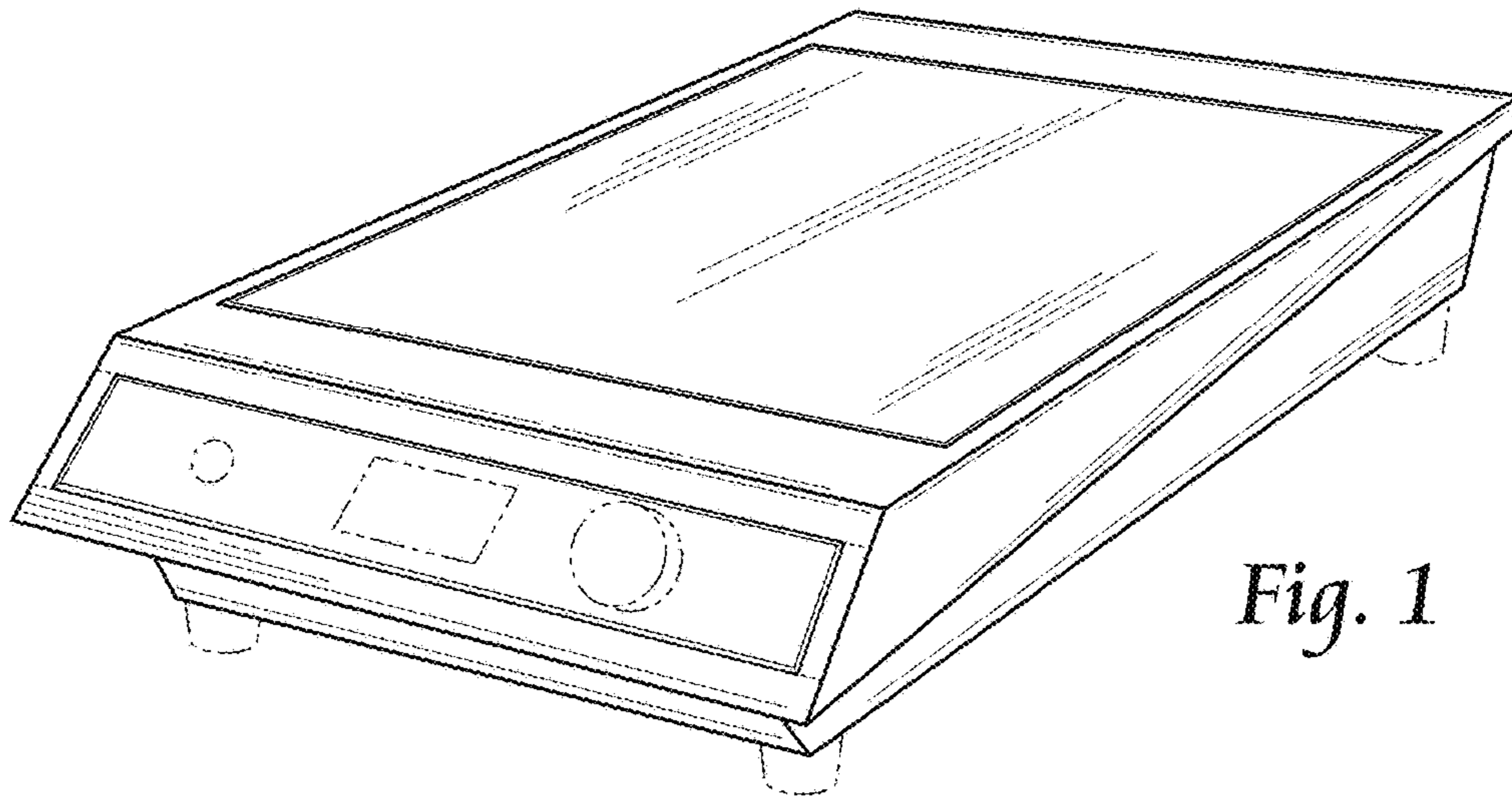


Fig. 1

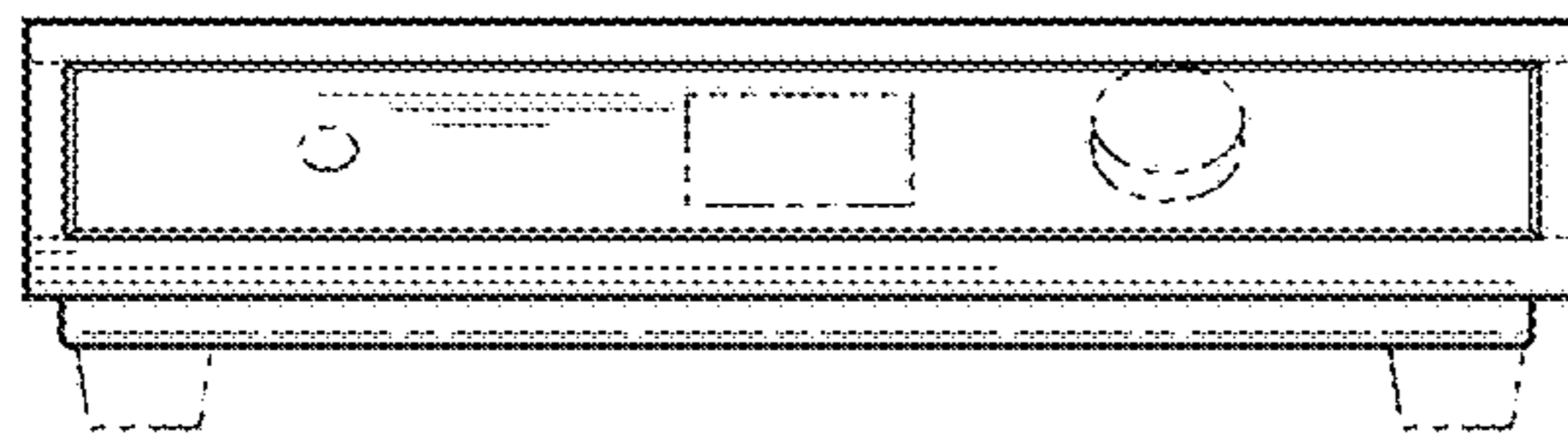


Fig. 2

Fig. 3

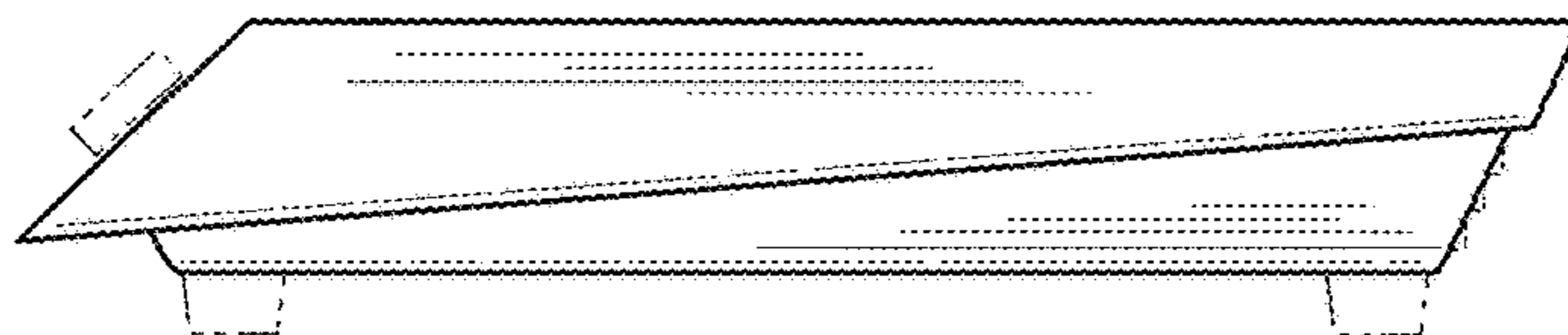
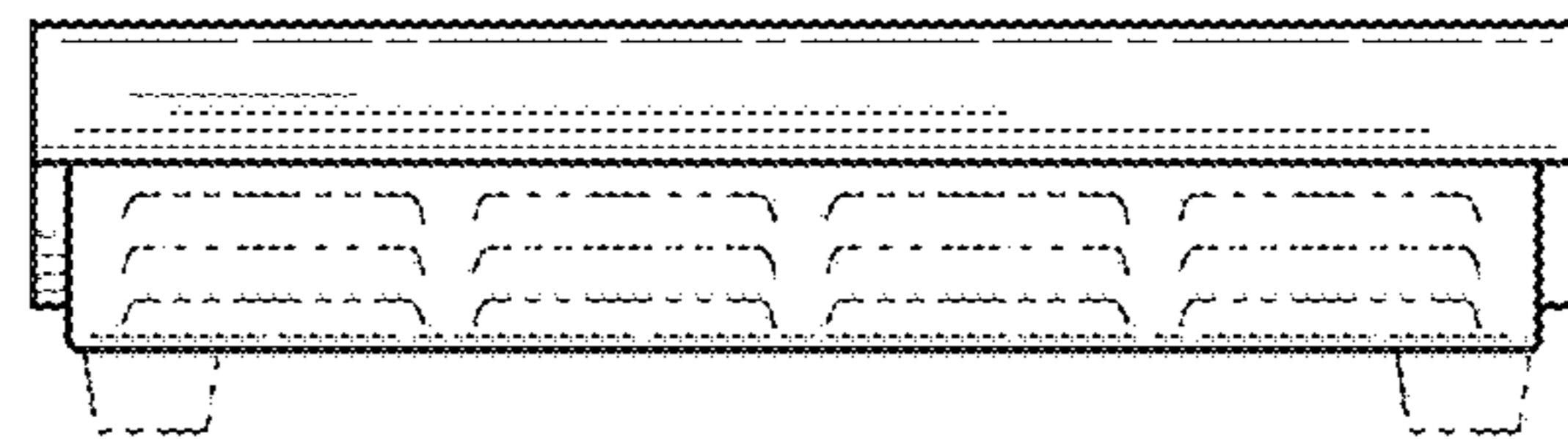


Fig. 4

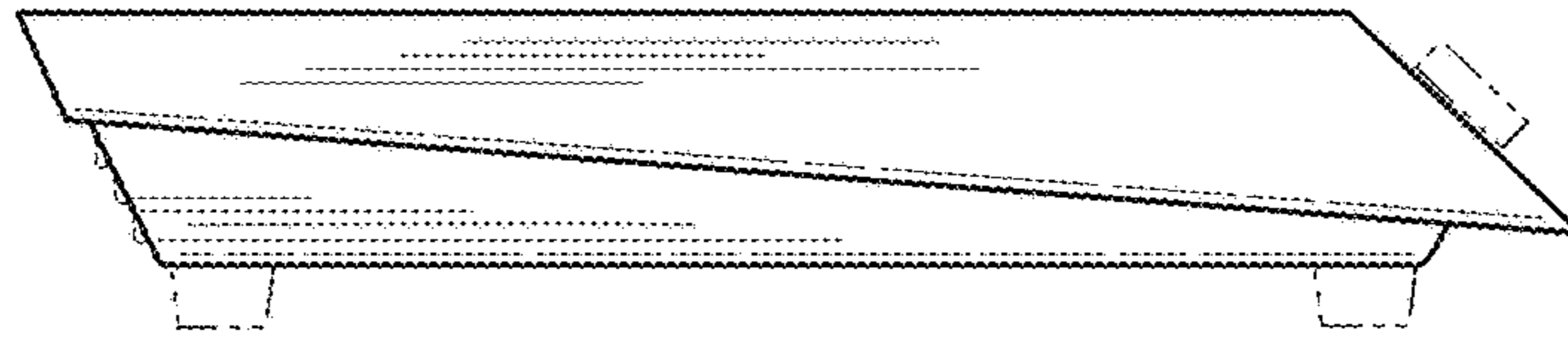


Fig. 5

Fig. 6

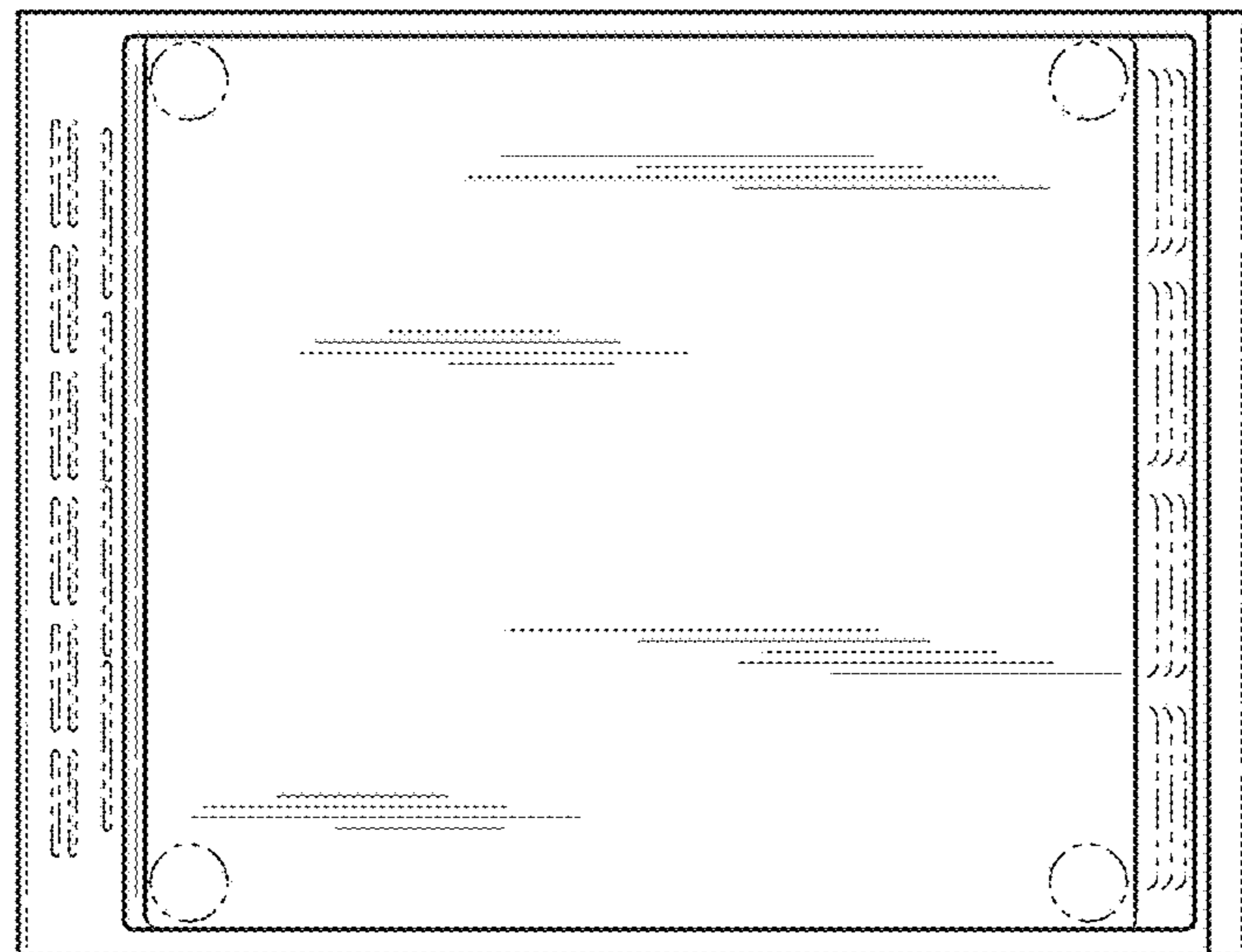
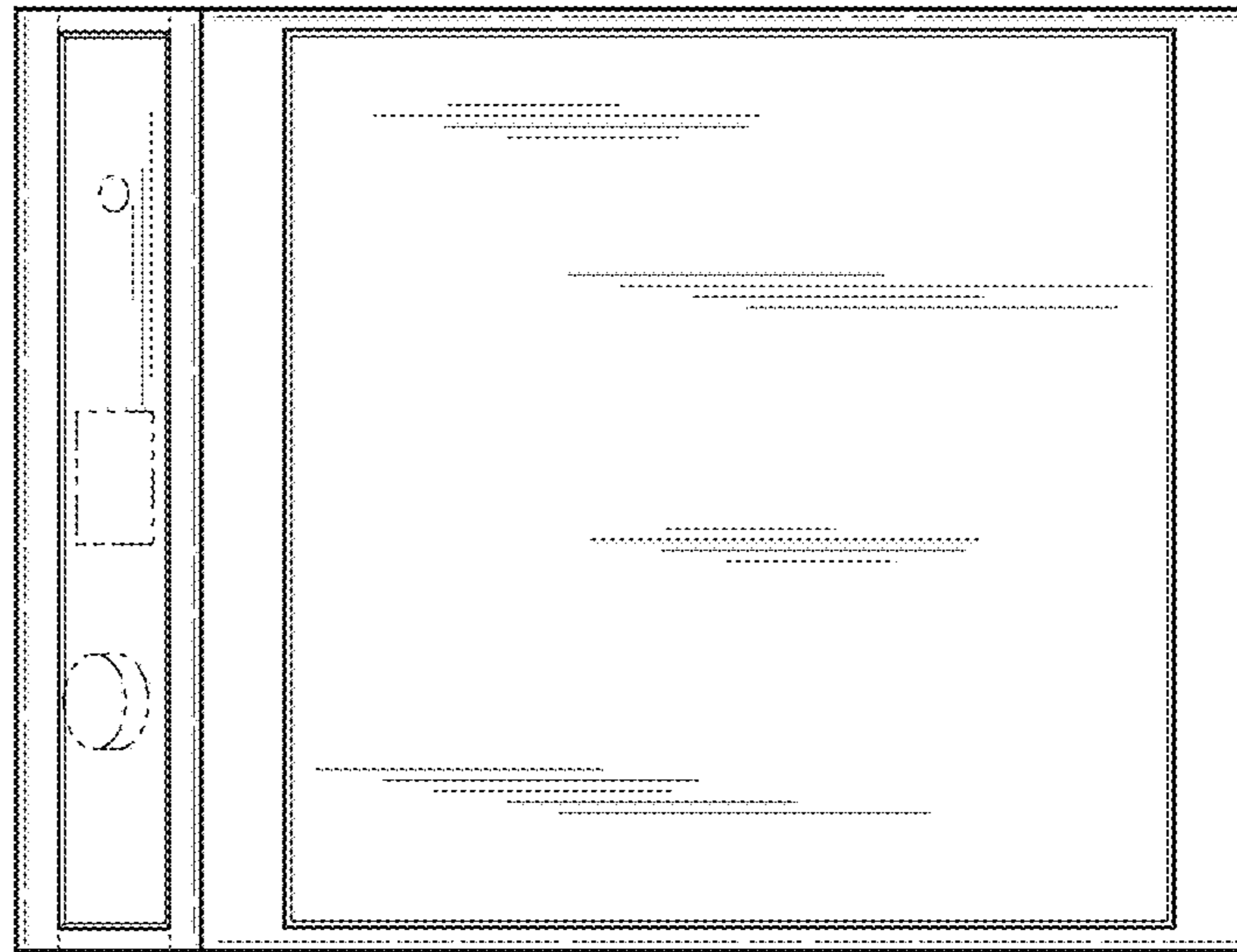


Fig. 7