



US00D793800S

(12) **United States Design Patent**
Tsai

(10) **Patent No.:** **US D793,800 S**

(45) **Date of Patent:** **** Aug. 8, 2017**

- (54) **PAN**
- (71) Applicant: **KE M.O. HOUSE CO., LTD.**,
Shenzhen (CN)
- (72) Inventor: **Mo-Tsan Tsai**, Shenzhen (CN)
- (73) Assignee: **High Street TV (Group) Limited**,
Harrogate (GB)
- (**) Term: **15 Years**
- (21) Appl. No.: **29/550,104**
- (22) Filed: **Dec. 30, 2015**
- (51) **LOC (10) Cl.** **07-02**
- (52) **U.S. Cl.**
USPC **D7/359; D7/354; D7/360; D7/361**
- (58) **Field of Classification Search**
USPC **D6/674; D7/323, 354-363, 391,**
D7/393-396, 409
CPC **A47G 19/06; A47G 19/12; A47J 27/00;**
A47J 27/002; A47J 27/08; A47J 27/21;
A47J 27/58; A47J 36/025; A47J 36/06;
A47J 36/12; A47J 37/00; A47J 37/10;
A47J 37/101; A47J 37/103; A47J 37/108;
A47J 37/12; A47J 37/1204; A47J 45/061;
A47J 45/071; A47J 45/08; A63H
33/3055; H05B 6/12
See application file for complete search history.

- 3,704,663 A * 12/1972 Shull A47J 37/10
99/347
- D227,730 S * 7/1973 Shull et al. D7/357
- 5,967,022 A * 10/1999 Moschella A47J 37/108
220/731
- 6,371,322 B1 * 4/2002 Bryant A47G 19/06
220/23.86
- D492,537 S * 7/2004 Cheng D7/357
- D492,538 S * 7/2004 Cheng D7/357
- D536,199 S * 2/2007 Kloppsteck D6/674
- D712,193 S * 9/2014 Nagrani D7/354
- D746,628 S * 1/2016 Nagrani D7/354

* cited by examiner

Primary Examiner — Ricky Pham

(74) *Attorney, Agent, or Firm* — Ladas & Parry, LLP

(57) **CLAIM**

The ornamental design for a pan, as shown and described.

DESCRIPTION

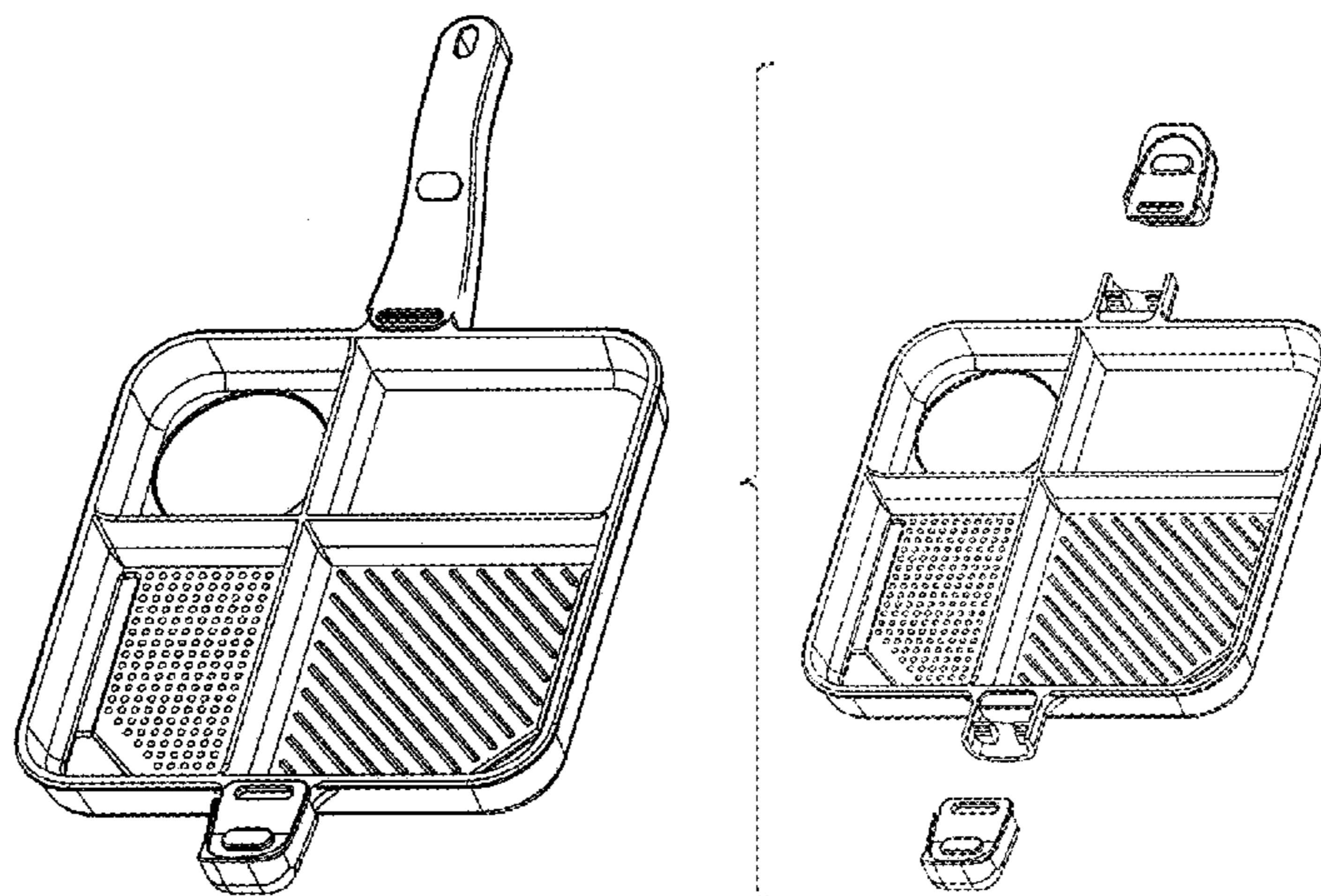
FIG. 1 is a perspective view of a pan showing my new design;
 FIG. 2 is a front (main) view thereof;
 FIG. 3 is a back view thereof;
 FIG. 4 is a left view thereof;
 FIG. 5 is a right view thereof;
 FIG. 6 is a top view thereof;
 FIG. 7 is a bottom view thereof;
 FIG. 8 is an exploded view thereof;
 FIG. 9 is a perspective view thereof, shown without the handle for ease of illustration;
 FIG. 10 is a front (main) view thereof;
 FIG. 11 is a back view thereof;
 FIG. 12 is a left view thereof;
 FIG. 13 is a right view thereof;
 FIG. 14 is a top view thereof;
 FIG. 15 is a bottom view thereof; and,
 FIG. 16 is an exploded view thereof.

1 Claim, 16 Drawing Sheets

(56) **References Cited**

U.S. PATENT DOCUMENTS

- 1,505,675 A * 8/1924 Stirn A47J 37/10
126/215
- 1,936,551 A * 11/1933 Garrison A47J 37/10
99/339
- 2,515,617 A * 7/1950 Tilford A47J 37/10
126/390.1
- 3,120,717 A * 2/1964 Glass A63H 33/3055
446/397



Perspective view

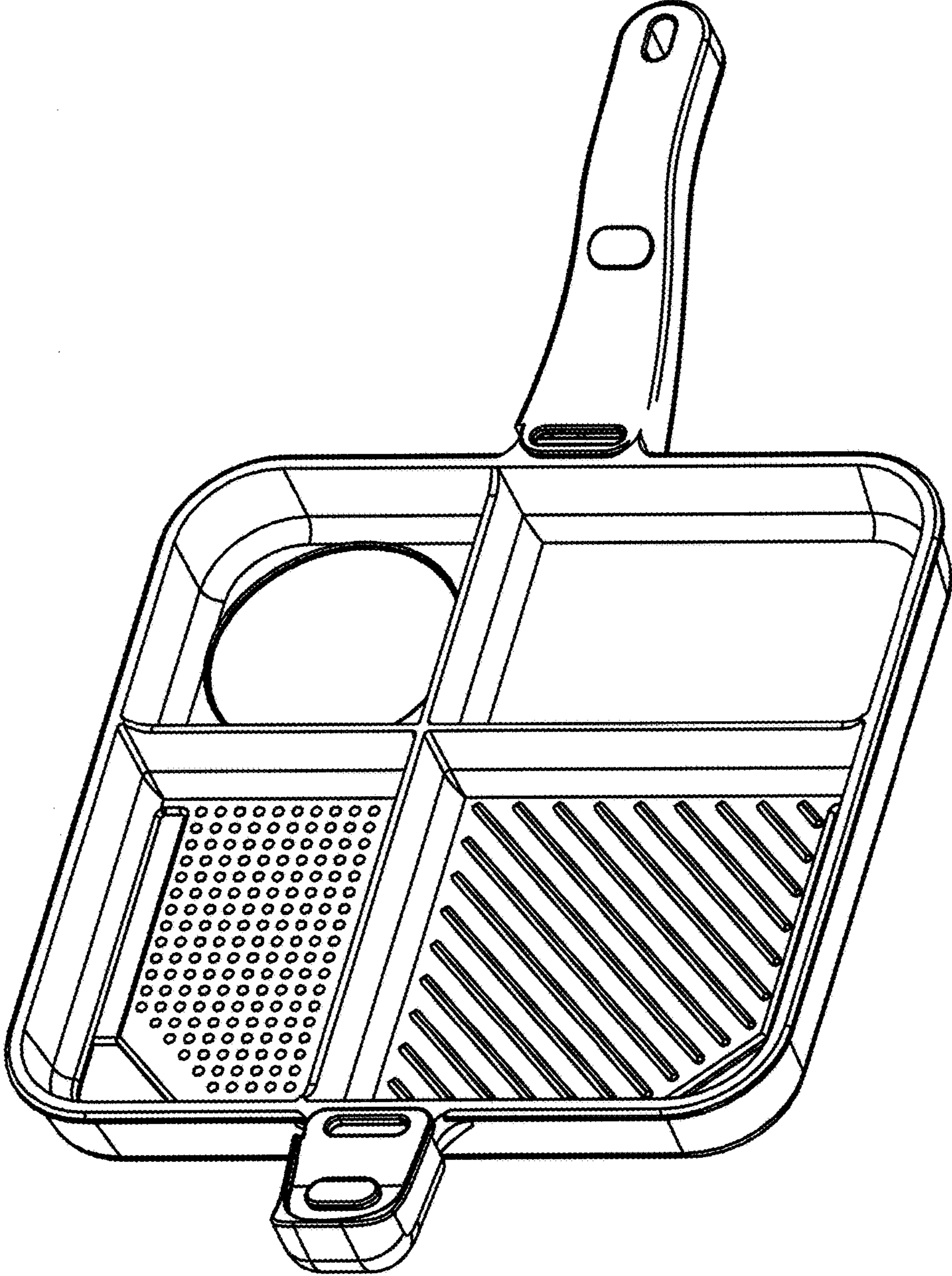


FIG. 1

Perspective view

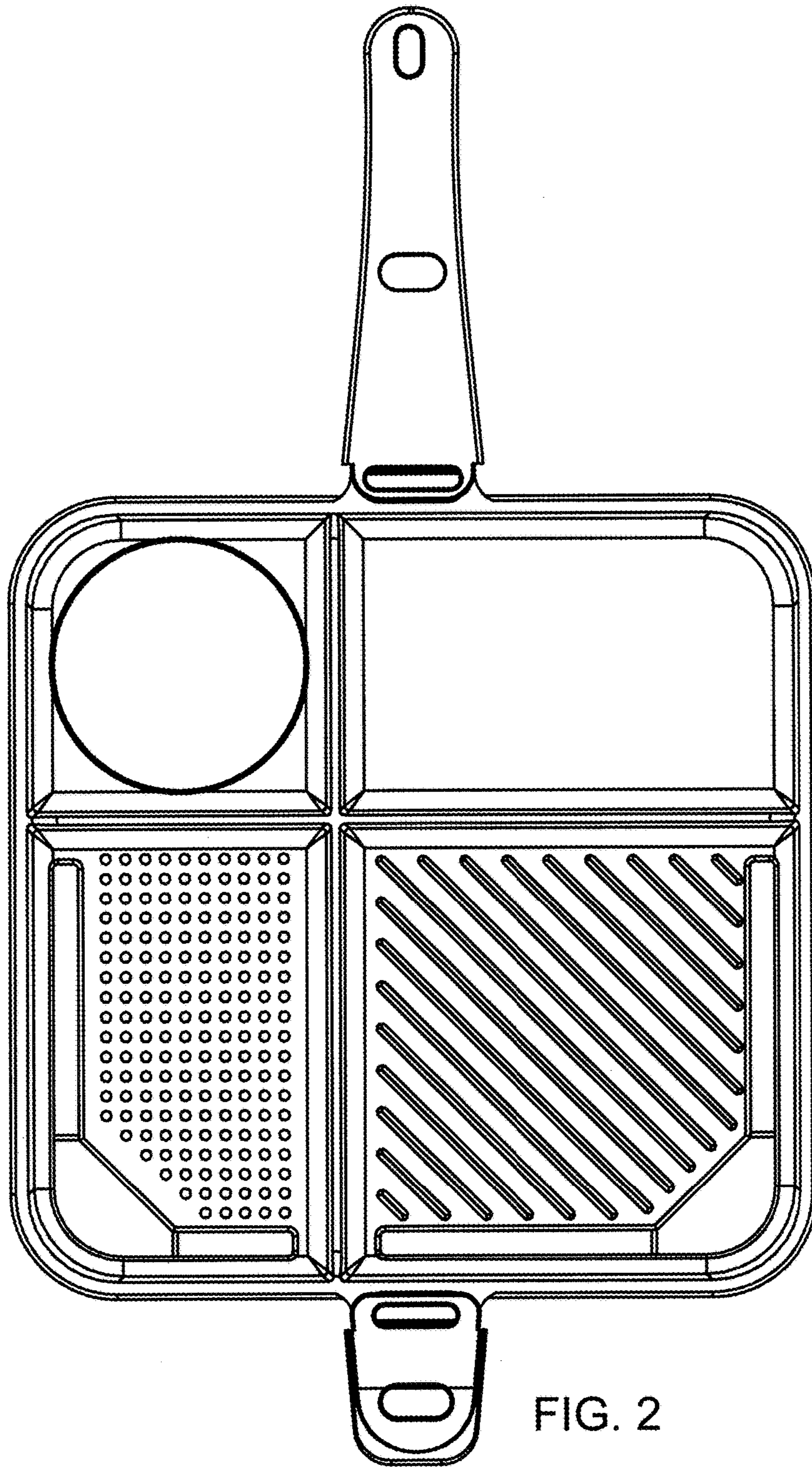


FIG. 2

Front(main) view

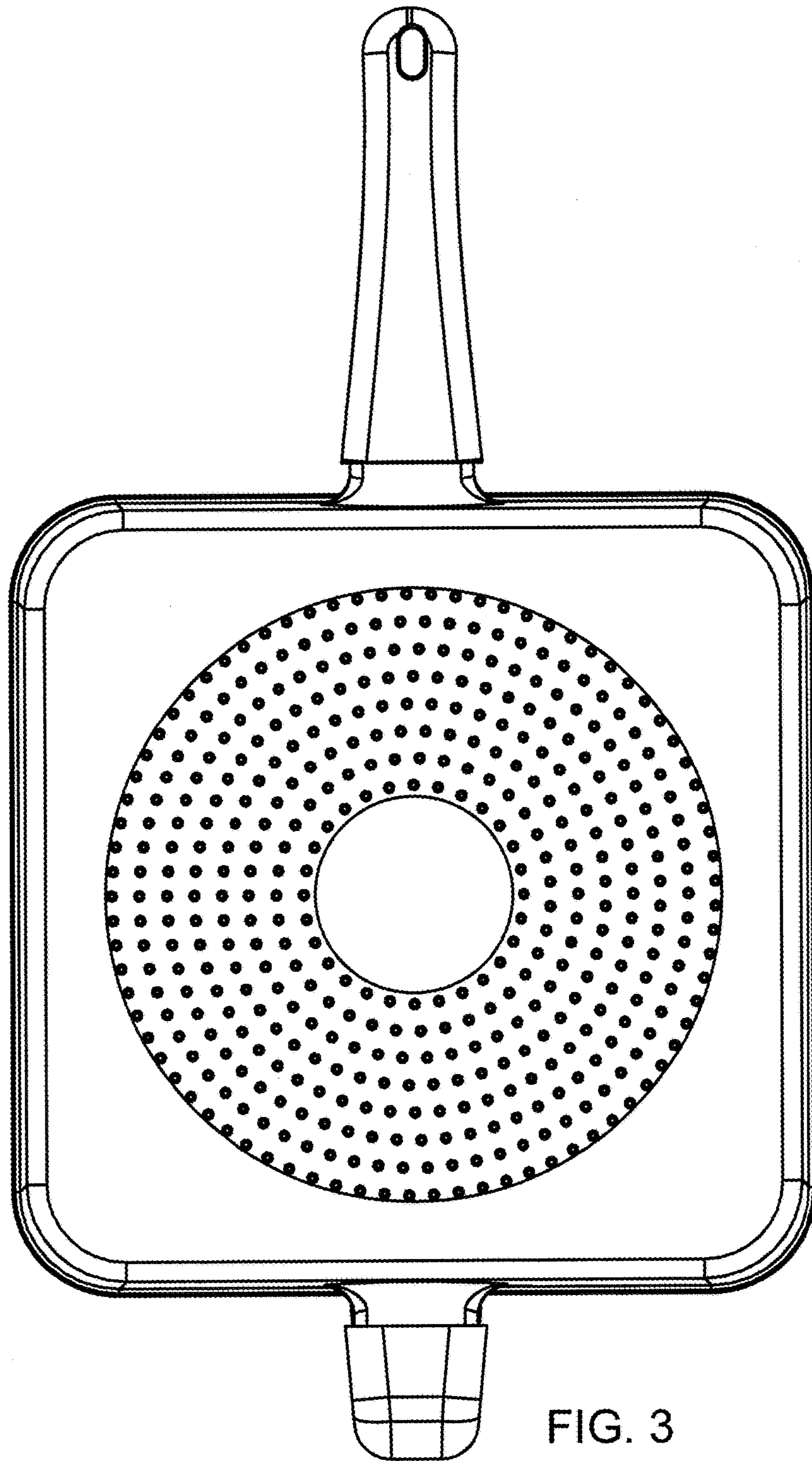


FIG. 3

Back view

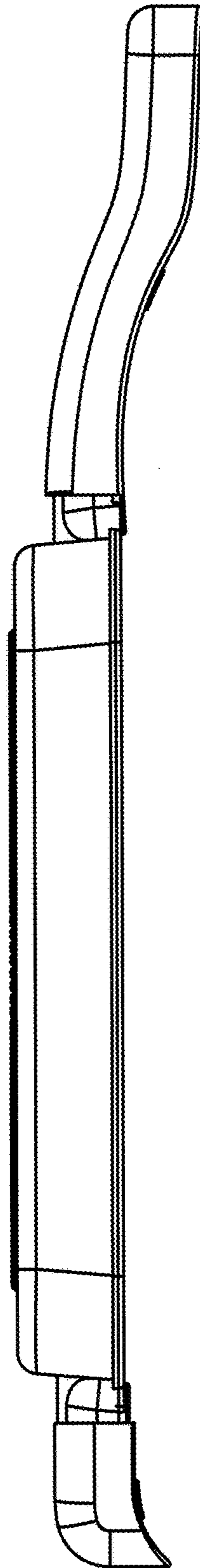


FIG. 4

Left view

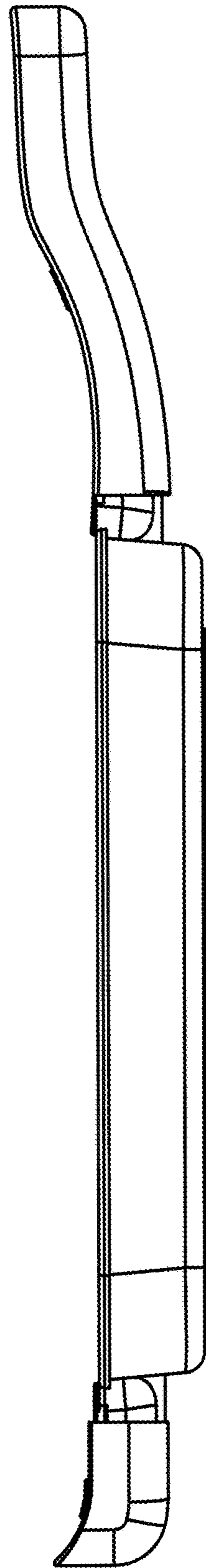


FIG. 5

Right view

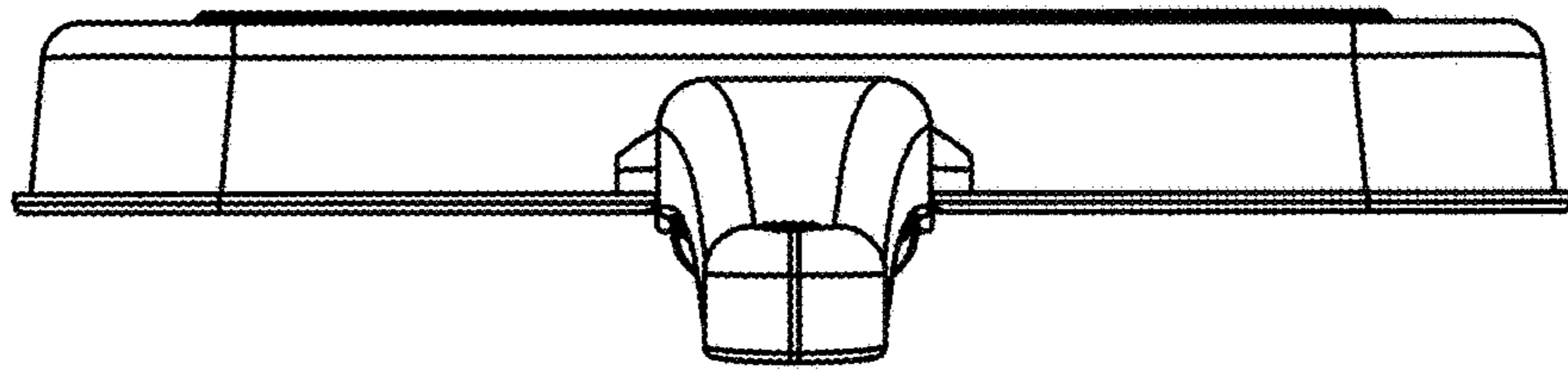


FIG. 6

Top view

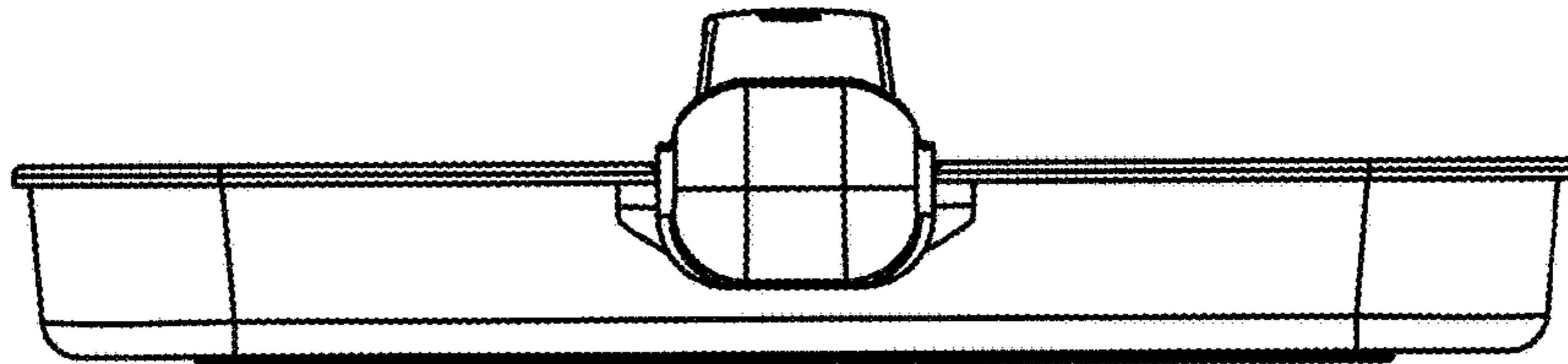


FIG. 7

Bottom view

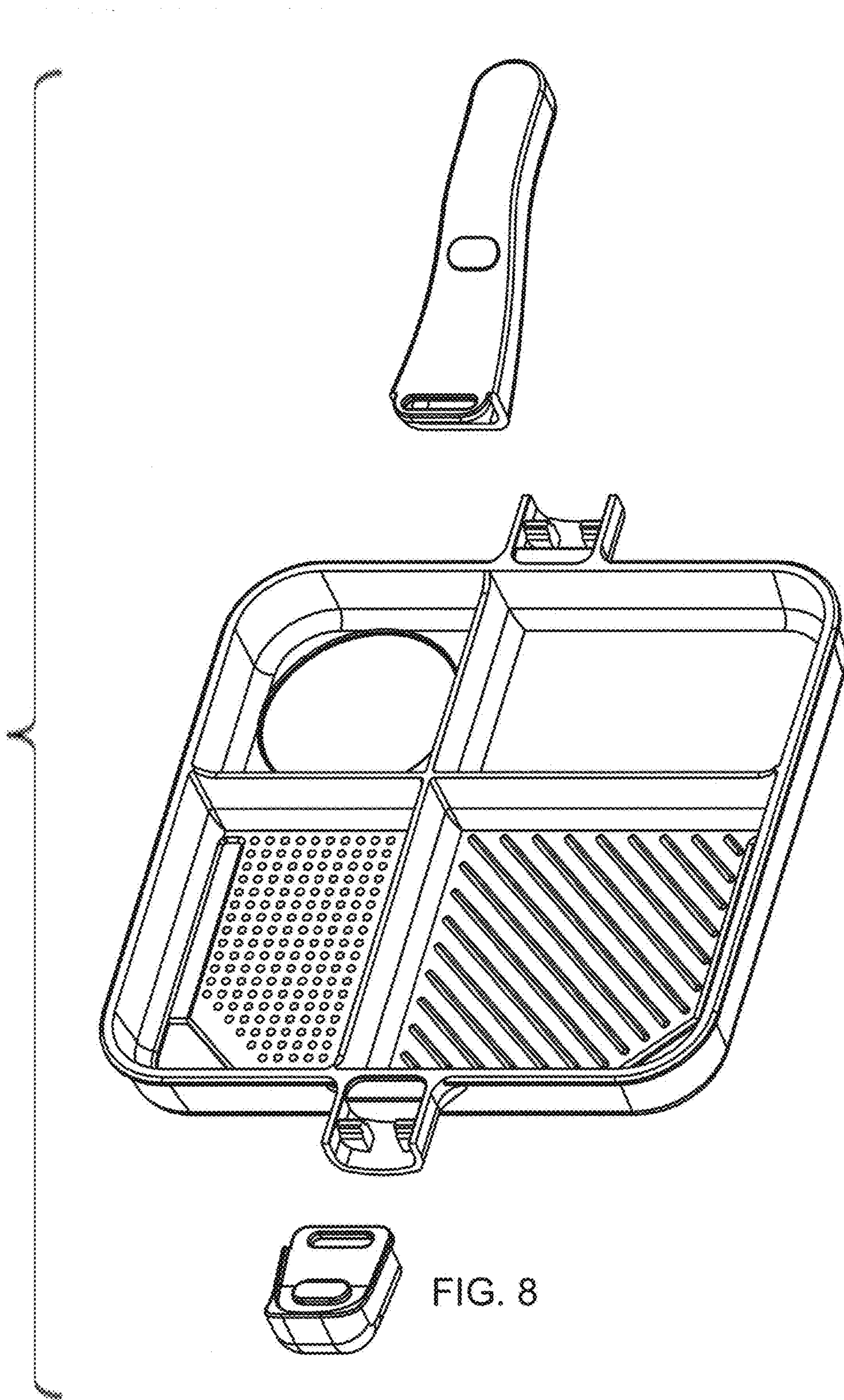


FIG. 8

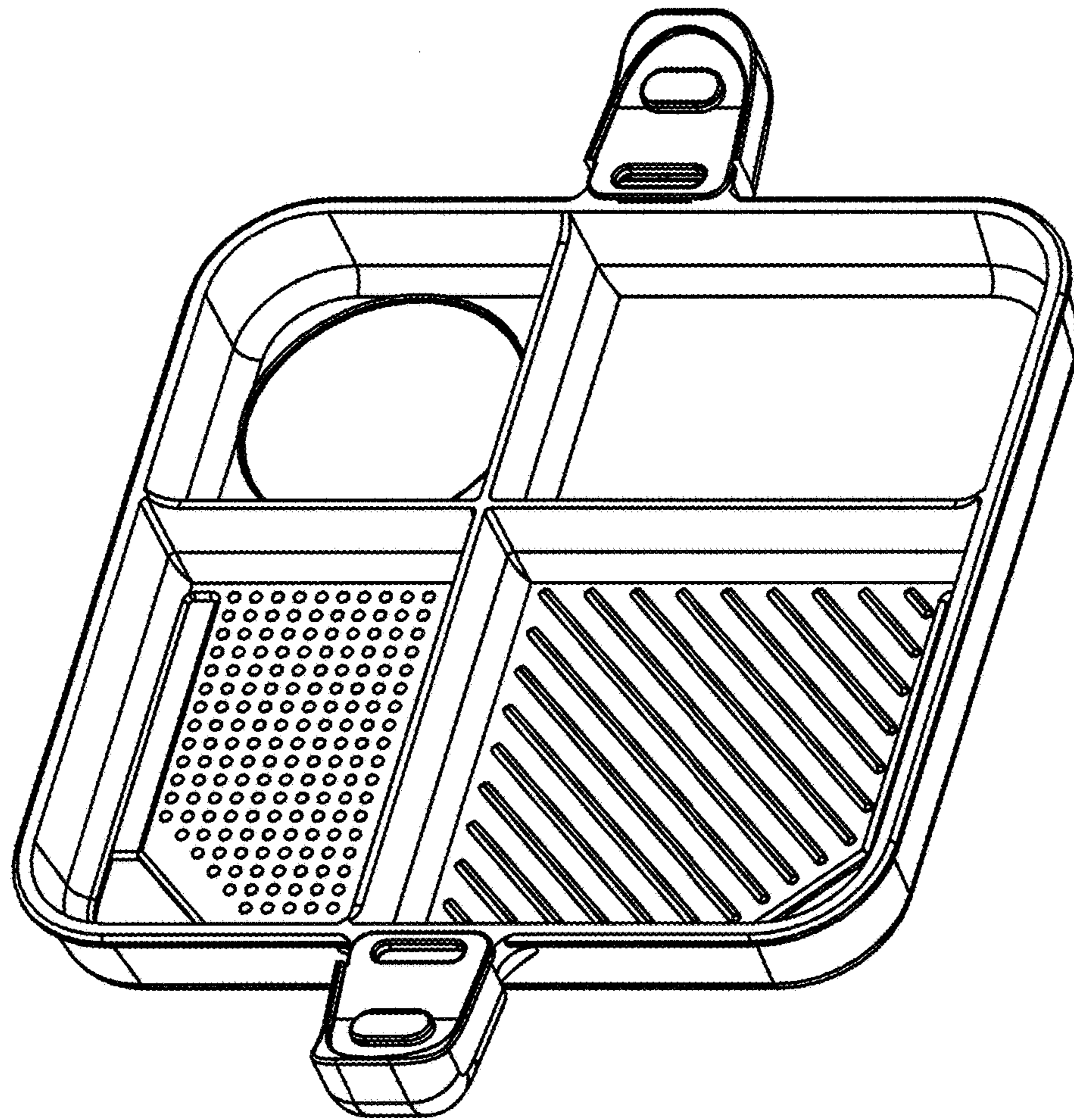


FIG. 9

Perspective view

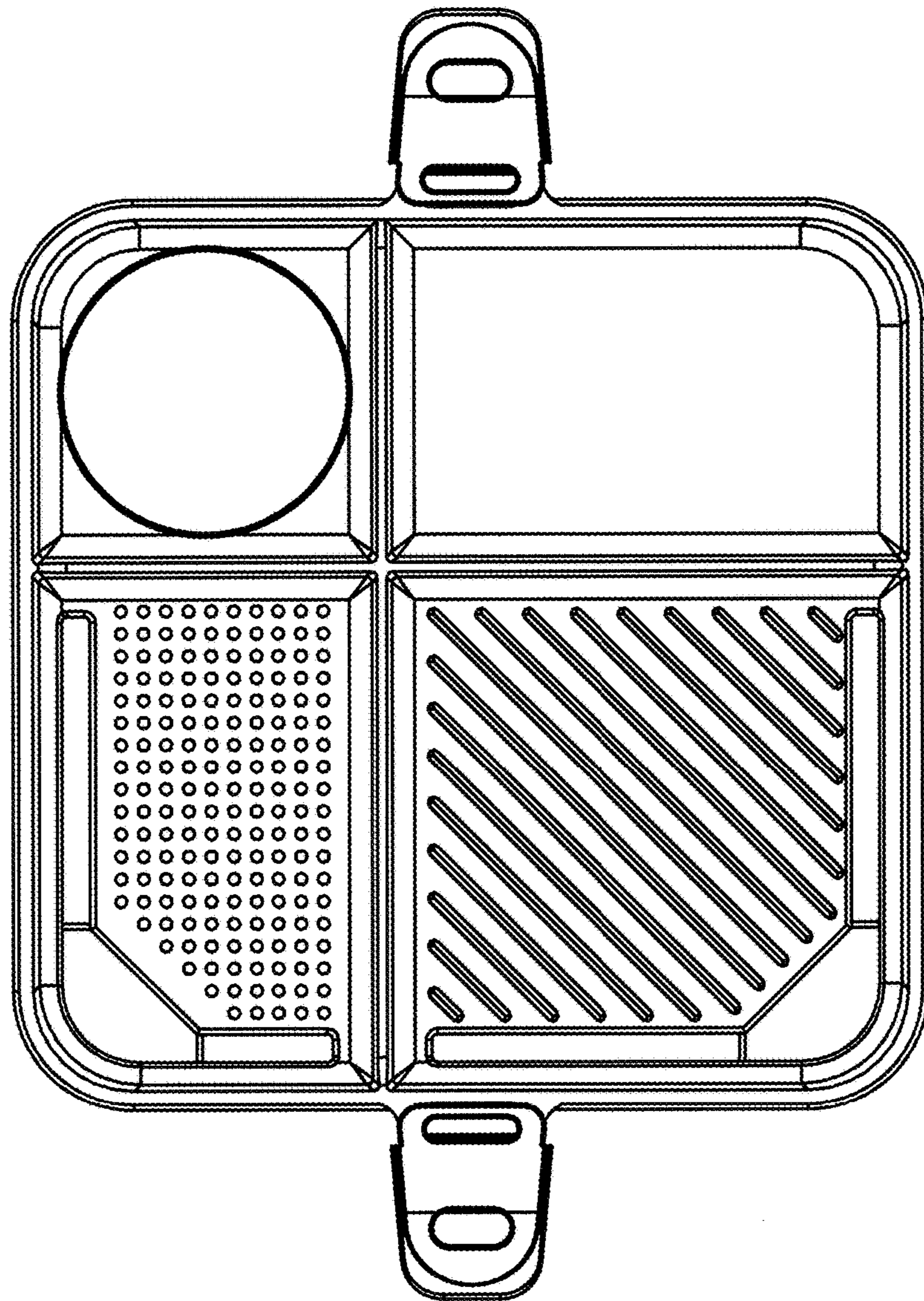


FIG. 10

Front(main) view

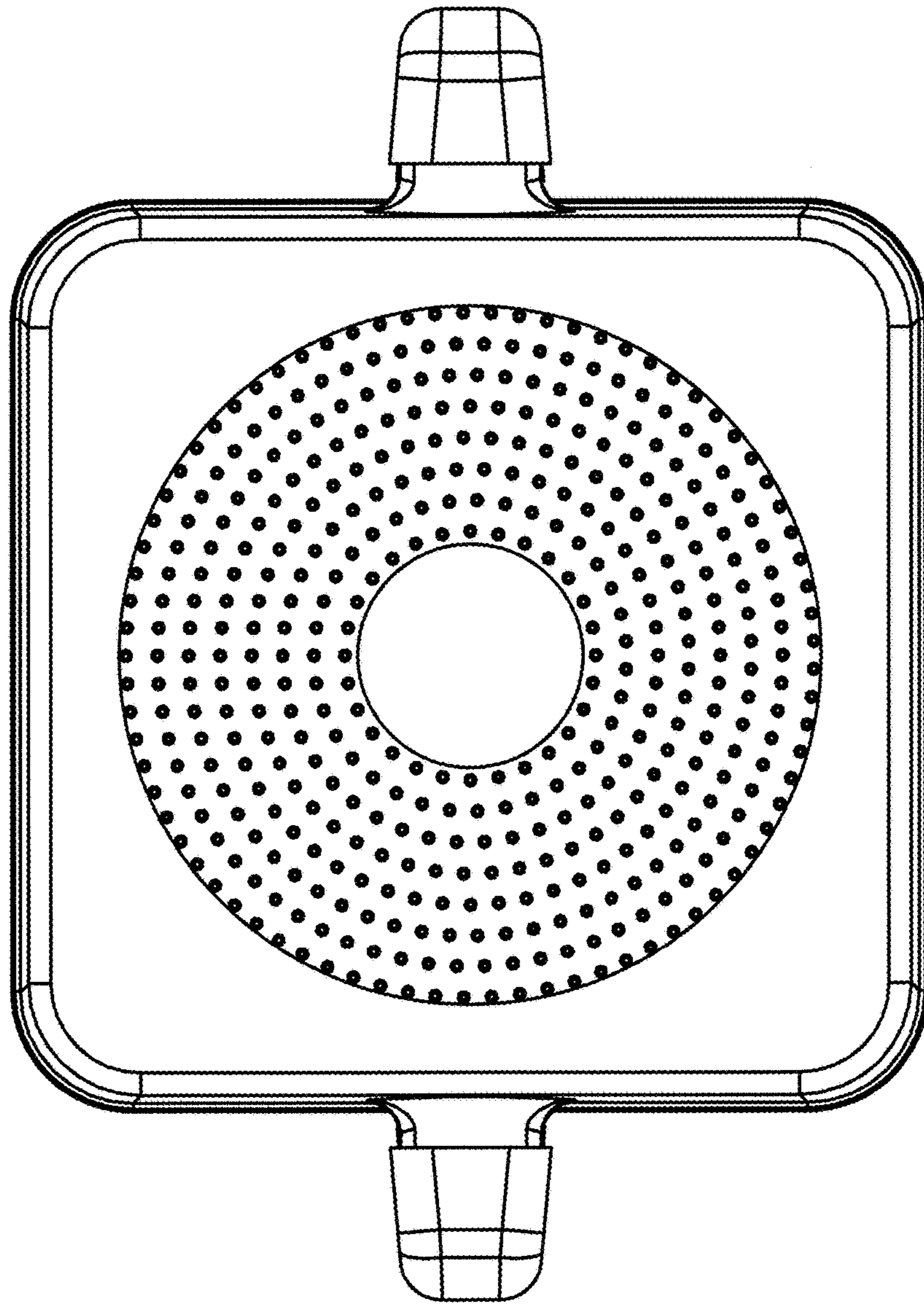


FIG. 11

Back view

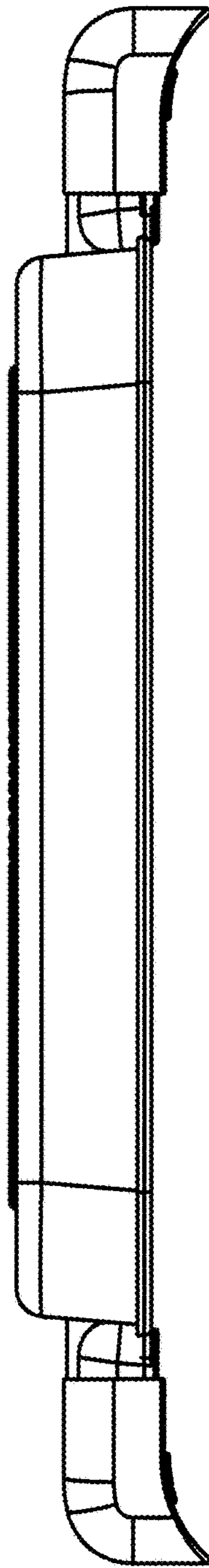


FIG. 12

Left view

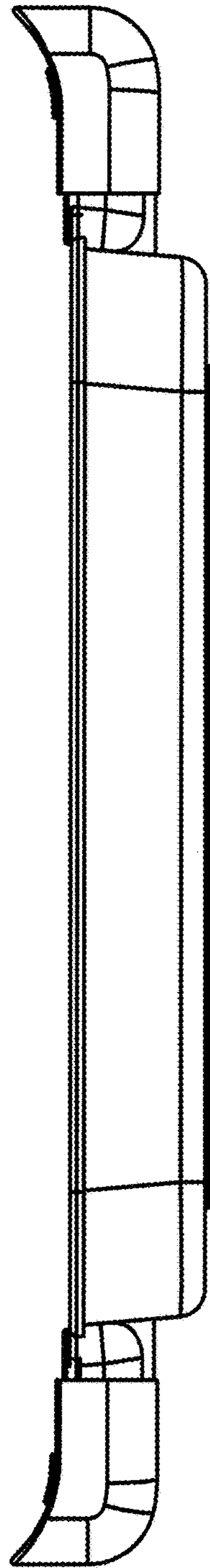


FIG. 13

Right view

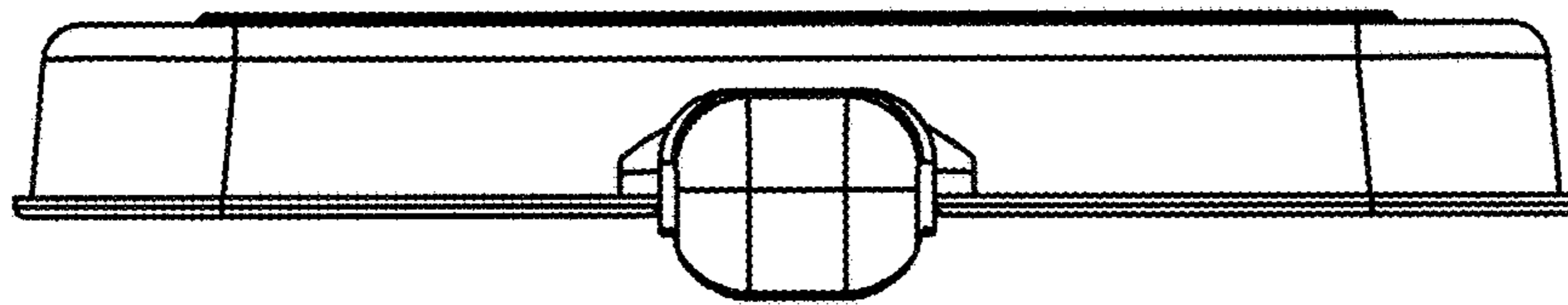


FIG. 14

Top view

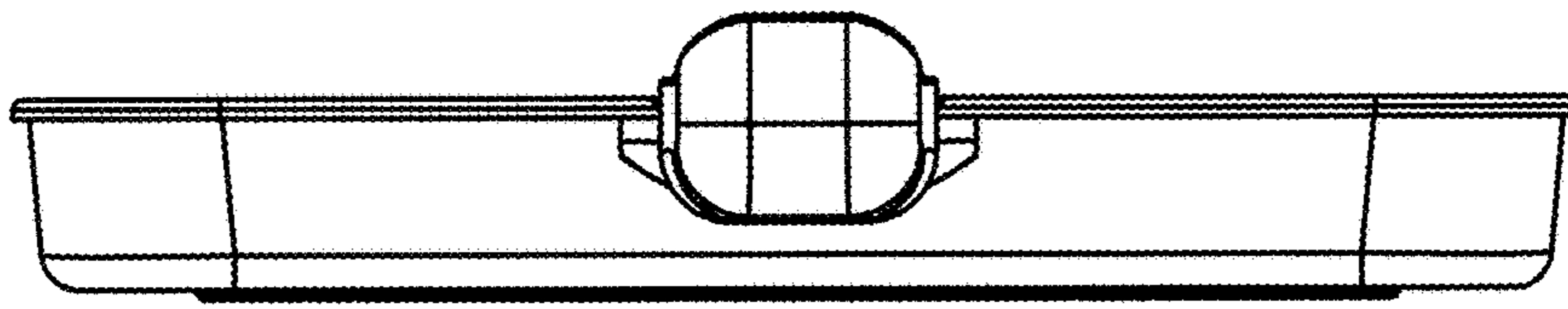


FIG. 15

Bottom view

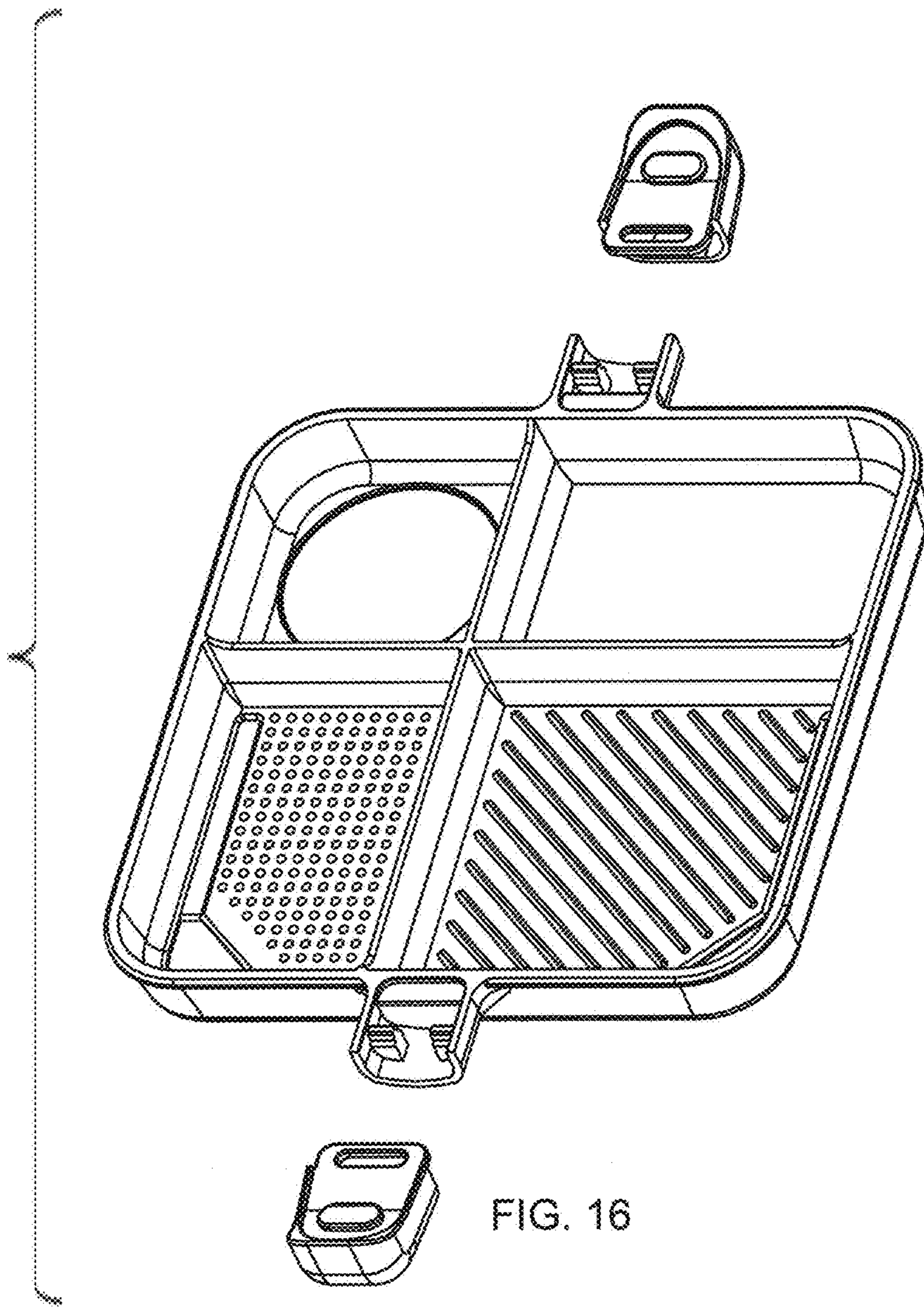


FIG. 16