

US00D793798S

(12) **United States Design Patent** (10) **Patent No.:** **US D793,798 S**
Carpenter et al. (45) **Date of Patent:** **** Aug. 8, 2017**

(54) **MULTICOOKER**

(56) **References Cited**

- (71) Applicant: **WHIRLPOOL CORPORATION**,
Benton Harbor, MI (US)
- (72) Inventors: **Christopher L. Carpenter**, Pearisburg,
VA (US); **Christopher A. Gregory**, St.
Joseph, MI (US)
- (73) Assignee: **Whirlpool Corporation**, Benton
Harbor, MI (US)
- (**) Term: **15 Years**
- (21) Appl. No.: **29/588,333**
- (22) Filed: **Dec. 20, 2016**

U.S. PATENT DOCUMENTS

D380,504 S	7/1997	Yang	
D382,767 S	8/1997	Lien	
D416,434 S	11/1999	Pollnow	
D420,246 S *	2/2000	Alonge	D7/360
D450,528 S	11/2001	Rossmann	
D520,806 S *	5/2006	Ryan	D7/354
D528,353 S *	9/2006	Brady	D7/360
7,291,812 B2 *	11/2007	Kaney	A47J 27/62 219/432
D556,504 S	12/2007	Averty	
D566,457 S *	4/2008	Ryan	D7/360
D568,092 S	5/2008	Boes et al.	

(Continued)

Primary Examiner — Ricky Pham

(57) **CLAIM**

We claim the ornamental design for a multicooker, as shown and described.

DESCRIPTION

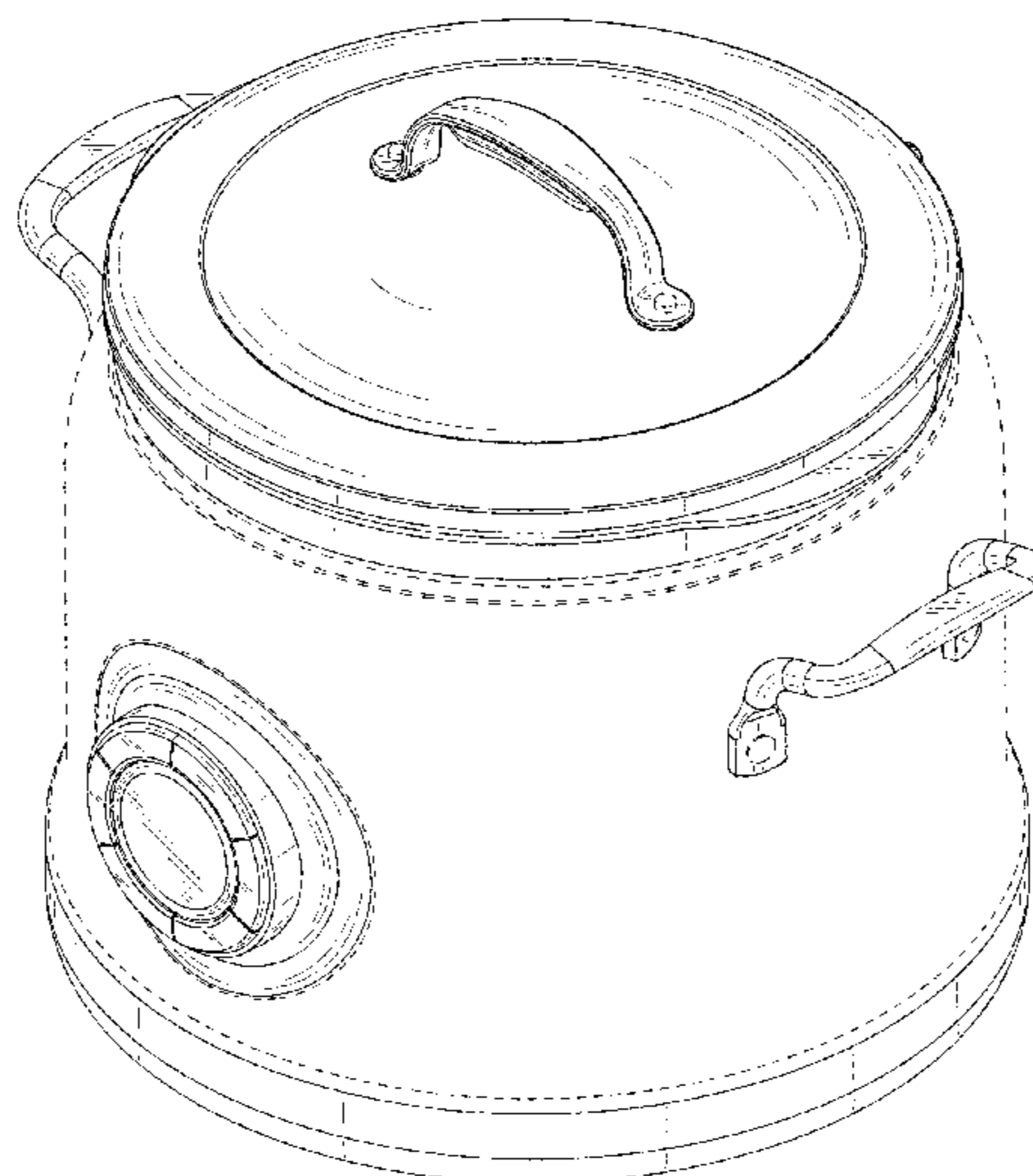
FIG. 1 is a front perspective view of the multicooker of the present invention;
 FIG. 2 is a rear perspective view of the multicooker of the present invention;
 FIG. 3 is a front elevation view of the multicooker of the present invention;
 FIG. 4 is a rear elevation view of the multicooker of the present invention;
 FIG. 5 is a left-side elevation view of the multicooker of the present invention;
 FIG. 6 is a right-side elevation view of the multicooker of the present invention;
 FIG. 7 is a top plan view of the multicooker of the present invention; and,
 FIG. 8 is a bottom plan view of the multicooker of the present invention.
 The broken lines in the figures are for contextual purposes or show the environment and form no part of the claimed design.

Related U.S. Application Data

- (60) Division of application No. 29/529,153, filed on Jun. 4, 2015, now Pat. No. Des. 777,505, which is a division of application No. 29/484,713, filed on Mar. 12, 2014, now Pat. No. Des. 735,521, which is a continuation of application No. 14/070,001, filed on Nov. 1, 2013.
- (51) **LOC (10) Cl.** **07-02**
- (52) **U.S. Cl.**
USPC **D7/354; D7/360**
- (58) **Field of Classification Search**
USPC **D7/323, 354-361**
CPC **A47J 27/00; A47J 27/004; A47J 27/04; A47J 27/05; A47J 27/08; A47J 27/09; A47J 27/092; A47J 27/62; A47J 36/025; A47J 36/06; A47J 36/08; A47J 36/10; A47J 36/12; A47J 37/12; A47J 37/1204; A47J 37/1209; H05B 6/02; H05B 6/06; H05B 6/12**

See application file for complete search history.

1 Claim, 8 Drawing Sheets



(56)

References Cited

U.S. PATENT DOCUMENTS

D568,676	S	5/2008	Steiner et al.	
D585,236	S	1/2009	McGinn	
D590,654	S	4/2009	Perkins et al.	
D610,393	S	2/2010	Josancy	
D611,758	S *	3/2010	Seymour	D7/354
D635,818	S	4/2011	Tse	
D641,202	S	7/2011	Bock et al.	
D642,422	S	8/2011	Averty	
D642,856	S *	8/2011	Bock	D7/354
D657,993	S	4/2012	Pantaleo	
8,230,779	B2 *	7/2012	Yang	A47J 37/1209 220/281
D667,255	S	9/2012	Reiner	
D667,680	S	9/2012	Bock	
D673,806	S	1/2013	Upston	
D682,009	S	5/2013	Day et al.	
D697,363	S	1/2014	Tu	
D698,595	S	2/2014	Kunz	
D701,416	S	3/2014	Day et al.	
D711,182	S	8/2014	Roussard et al.	
D730,107	S *	5/2015	MacInnis	D7/354
D735,519	S	8/2015	Benoit	
D735,521	S	8/2015	Carpenter et al.	
D777,505	S *	1/2017	Carpenter	D7/354
2004/0216620	A1 *	11/2004	Quiggins	A47J 36/08 99/413
2005/0145615	A1	7/2005	Schaffeld et al.	
2007/0210062	A1	9/2007	Gaynor et al.	
2007/0221651	A1 *	9/2007	Kristina	A47J 27/004 219/432
2008/0083730	A1 *	4/2008	Dolgov	A47J 27/004 219/432

* cited by examiner

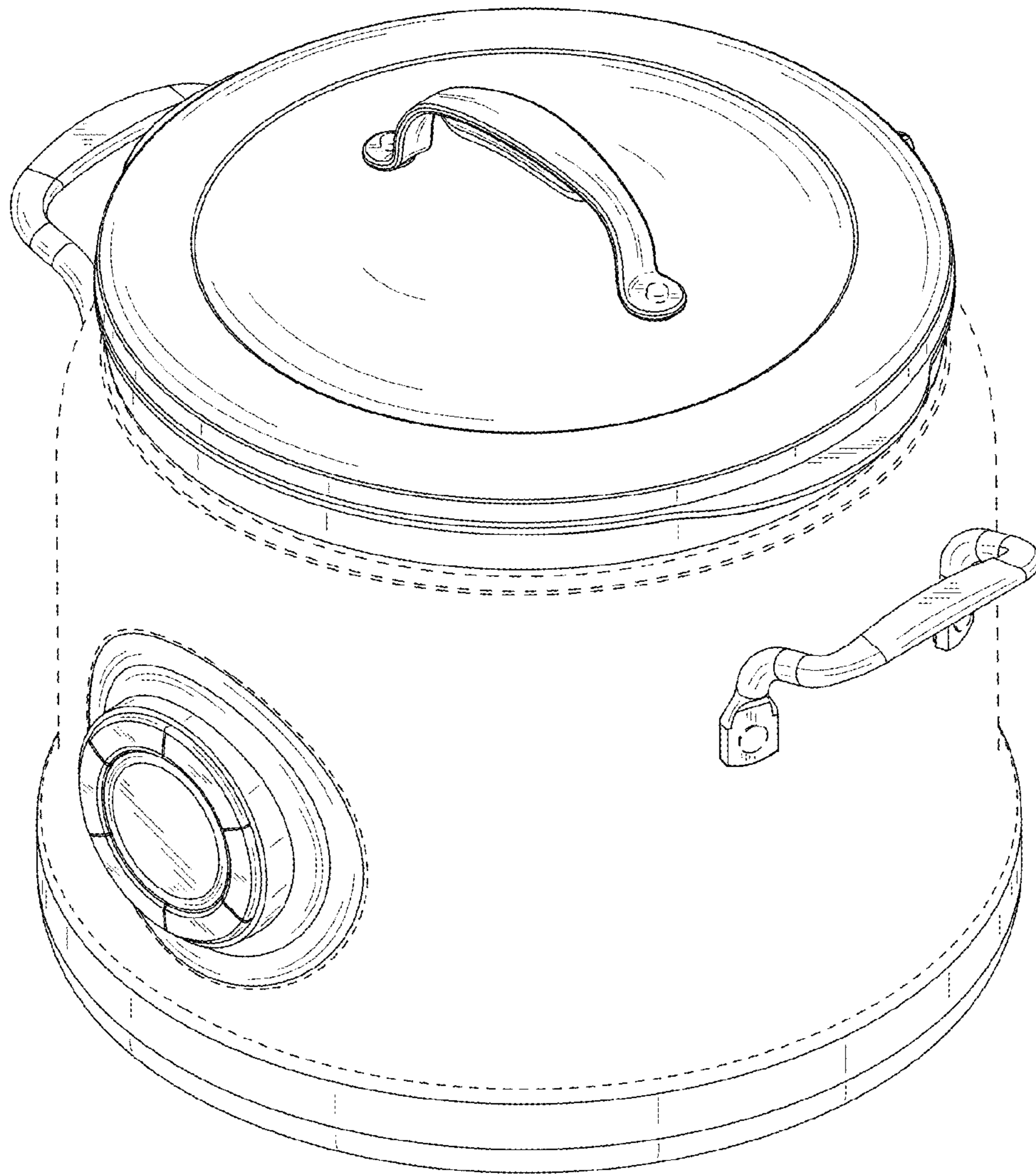


FIG. 1

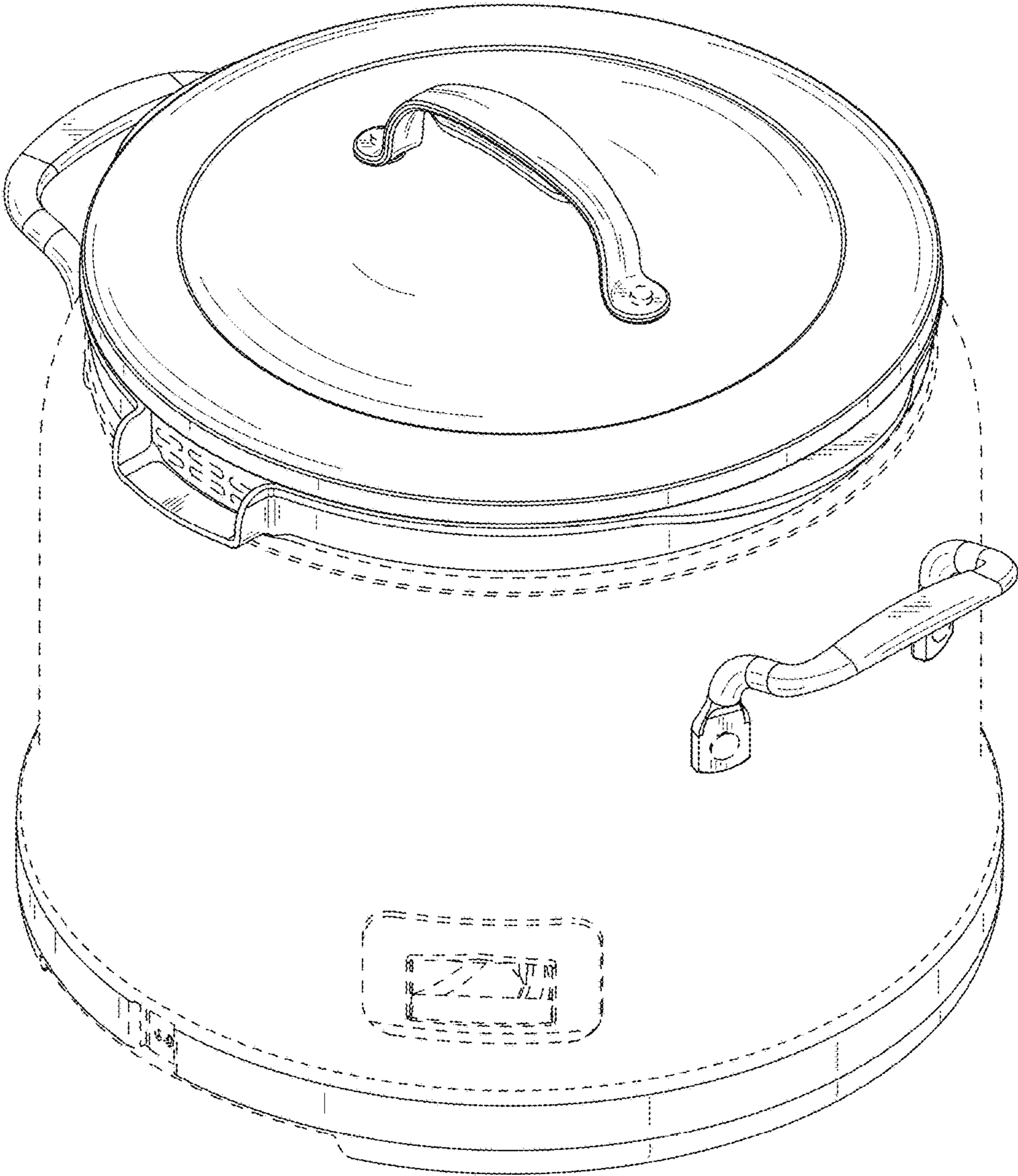


FIG. 2

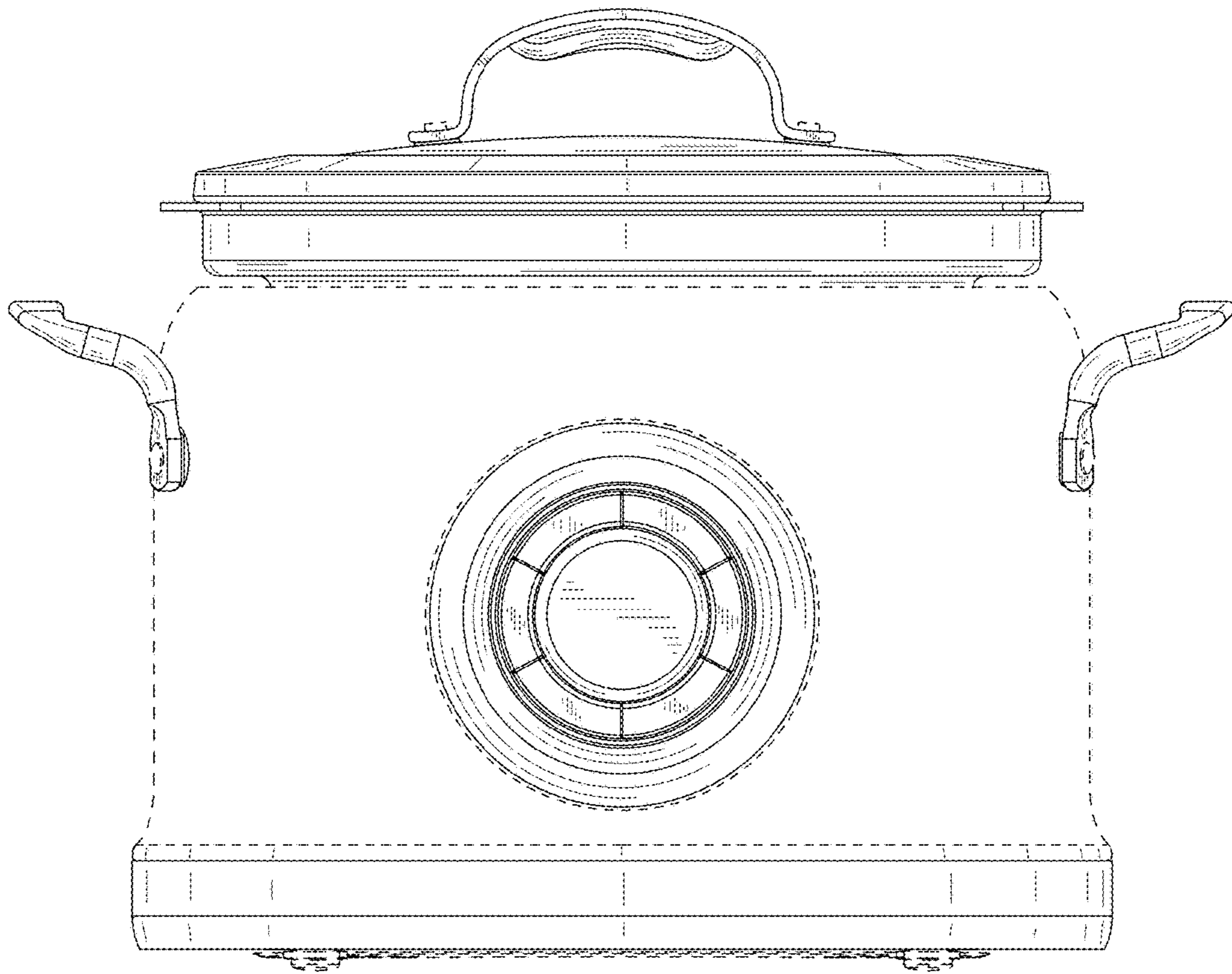


FIG. 3



FIG. 4



FIG. 5

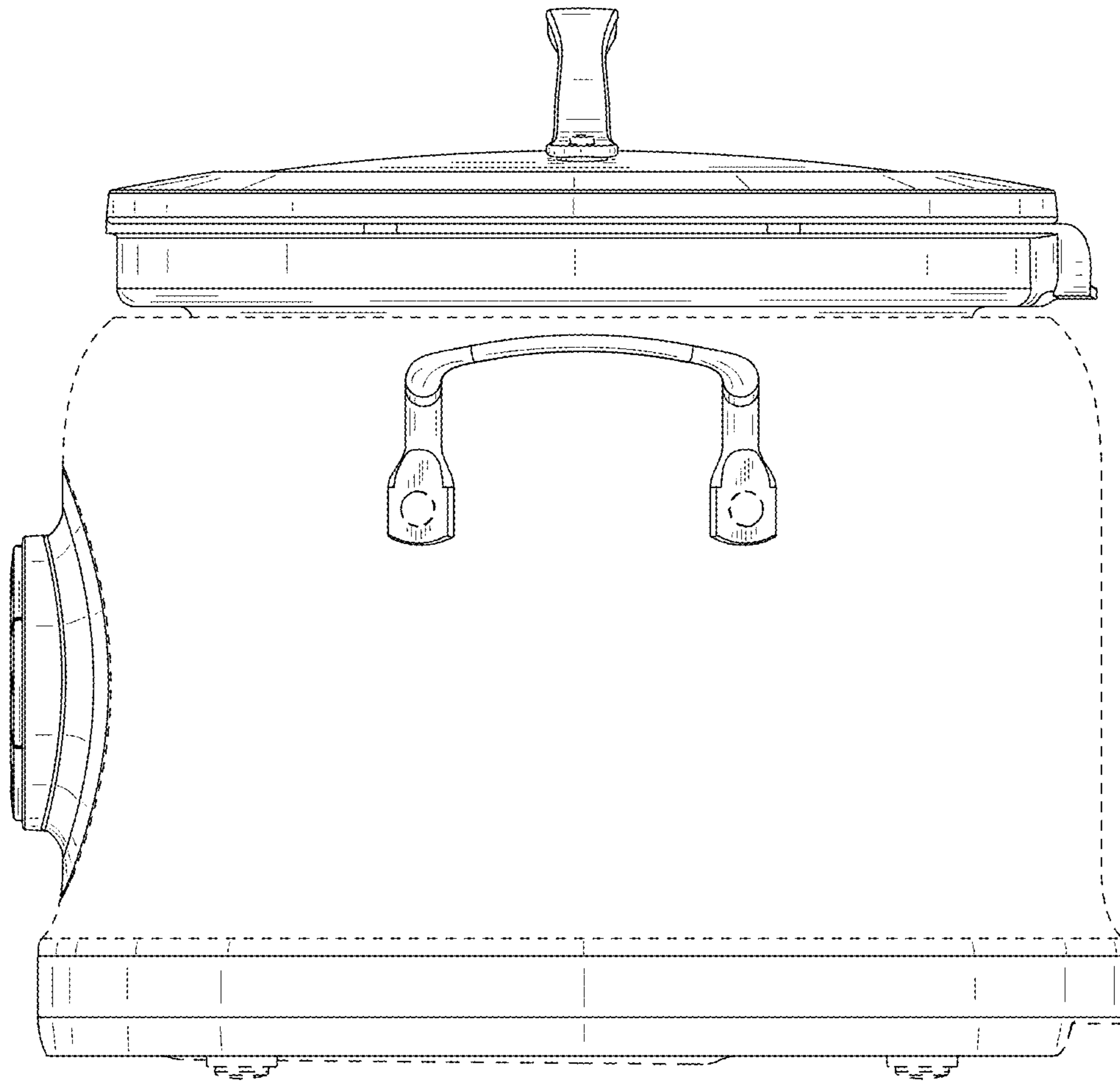


FIG. 6

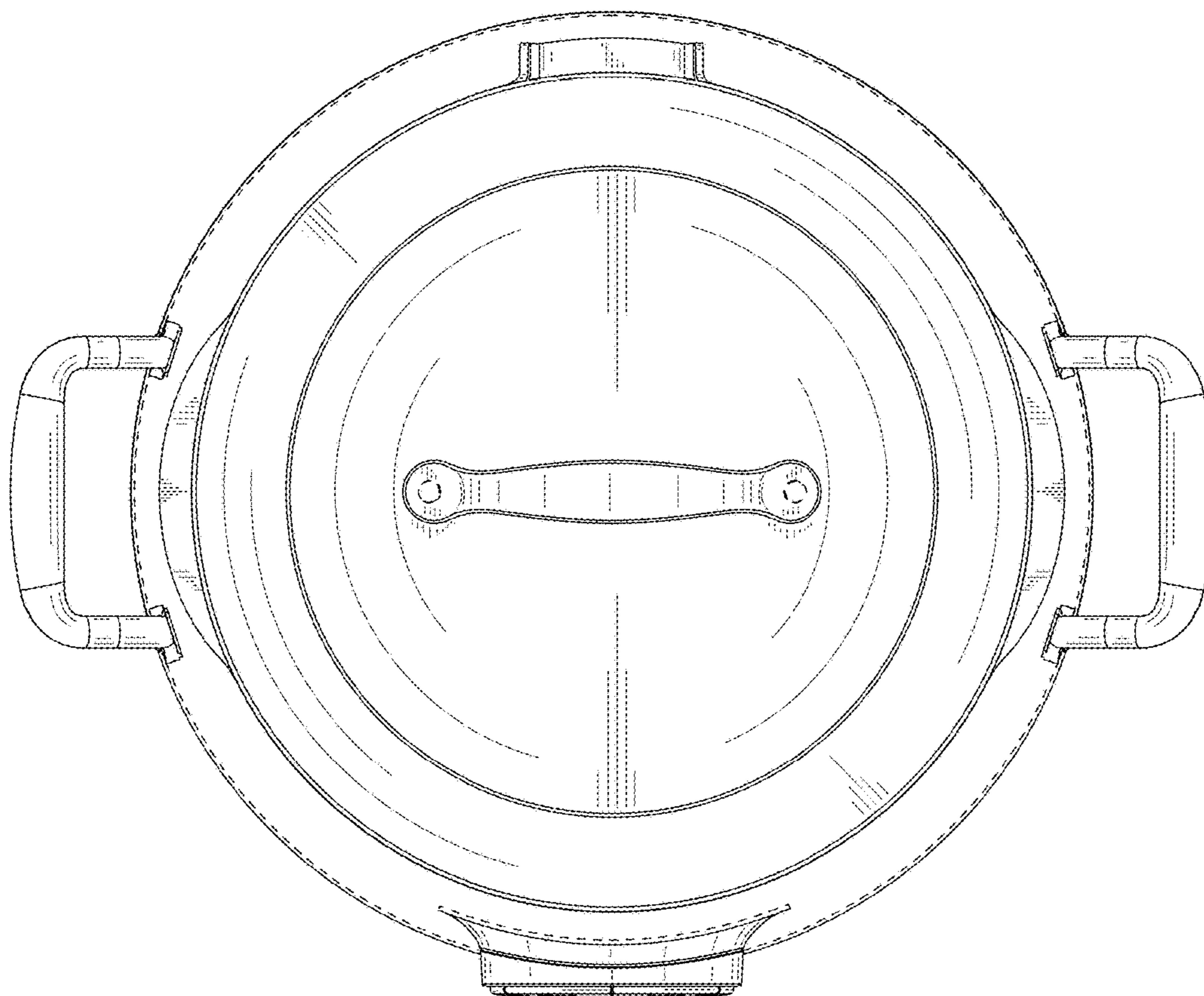


FIG. 7

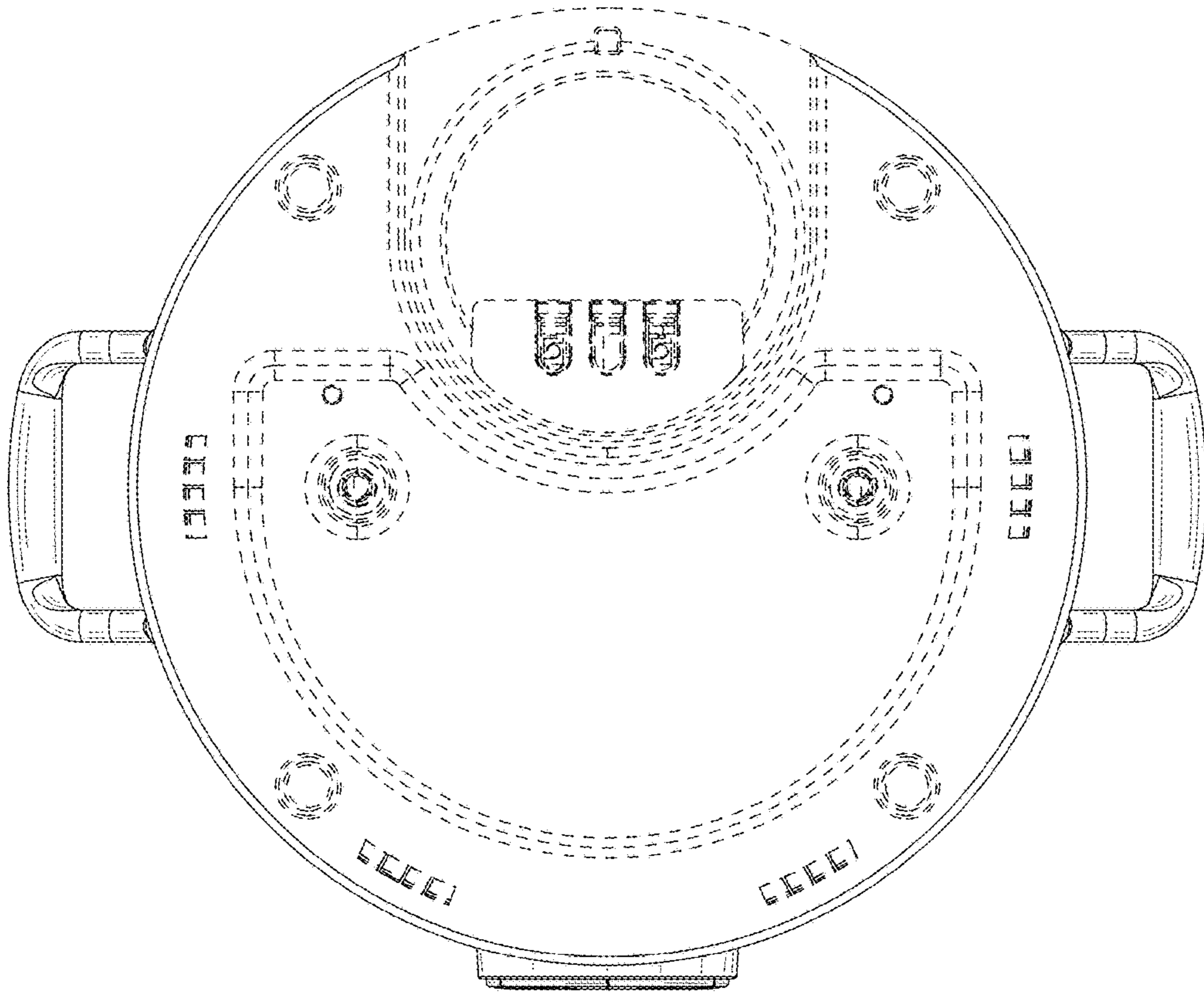


FIG. 8