



US00D793797S

(12) **United States Design Patent**  
**Krooshof**

(10) **Patent No.:** **US D793,797 S**

(45) **Date of Patent:** **\*\* Aug. 8, 2017**

(54) **LOW FAT FRYER MULTICOOKER**

37/129; A47J 37/1295; G07F 17/0064;  
G07F 17/0078; G07F 17/0085; H05B  
6/02; H05B 6/06; H05B 6/12

(71) Applicant: **KONINKLIJKE PHILIPS N.V.**,  
Eindhoven (NL)

See application file for complete search history.

(72) Inventor: **Roeland Gerard Krooshof**, Rotterdam  
(NL)

(56)

**References Cited**

(73) Assignee: **KONINKLIJKE PHILIPS N.V.**,  
Eindhoven (NL)

U.S. PATENT DOCUMENTS

(\*\*) Term: **15 Years**

(21) Appl. No.: **29/560,173**

(22) Filed: **Apr. 4, 2016**

3,020,824 A	2/1962	Pantermoller	
D299,903 S	2/1989	Grutzke	
D313,531 S	1/1991	Barrault	
D369,270 S	4/1996	Payen	
D394,187 S	5/1998	Orrico et al.	
D436,795 S	1/2001	Martres et al.	
D448,236 S	9/2001	Murray	
D464,526 S	10/2002	Brown	
6,499,390 B1	12/2002	Huang	
6,807,899 B2	10/2004	Dirand	
D507,151 S *	7/2005	Schuler	D7/509
D510,238 S	10/2005	Yen	
D522,796 S	6/2006	Teh-Hsiung	
D525,478 S	7/2006	Averty	
D533,393 S	12/2006	Sidet et al.	

(Continued)

**Related U.S. Application Data**

(63) Continuation of application No. 29/509,436, filed on  
Nov. 18, 2014, now abandoned, which is a  
continuation of application No. 29/466,292, filed on  
Sep. 6, 2013, now Pat. No. Des. 719,397.

*Primary Examiner* — Ricky Pham

(30) **Foreign Application Priority Data**

Mar. 7, 2013 (EM) ..... 002198499-0001

(57)

**CLAIM**

(51) **LOC (10) Cl.** ..... **07-02**

The ornamental design for an low fat fryer multicooker, as  
shown and described.

(52) **U.S. Cl.**

USPC ..... **D7/354**

(58) **Field of Classification Search**

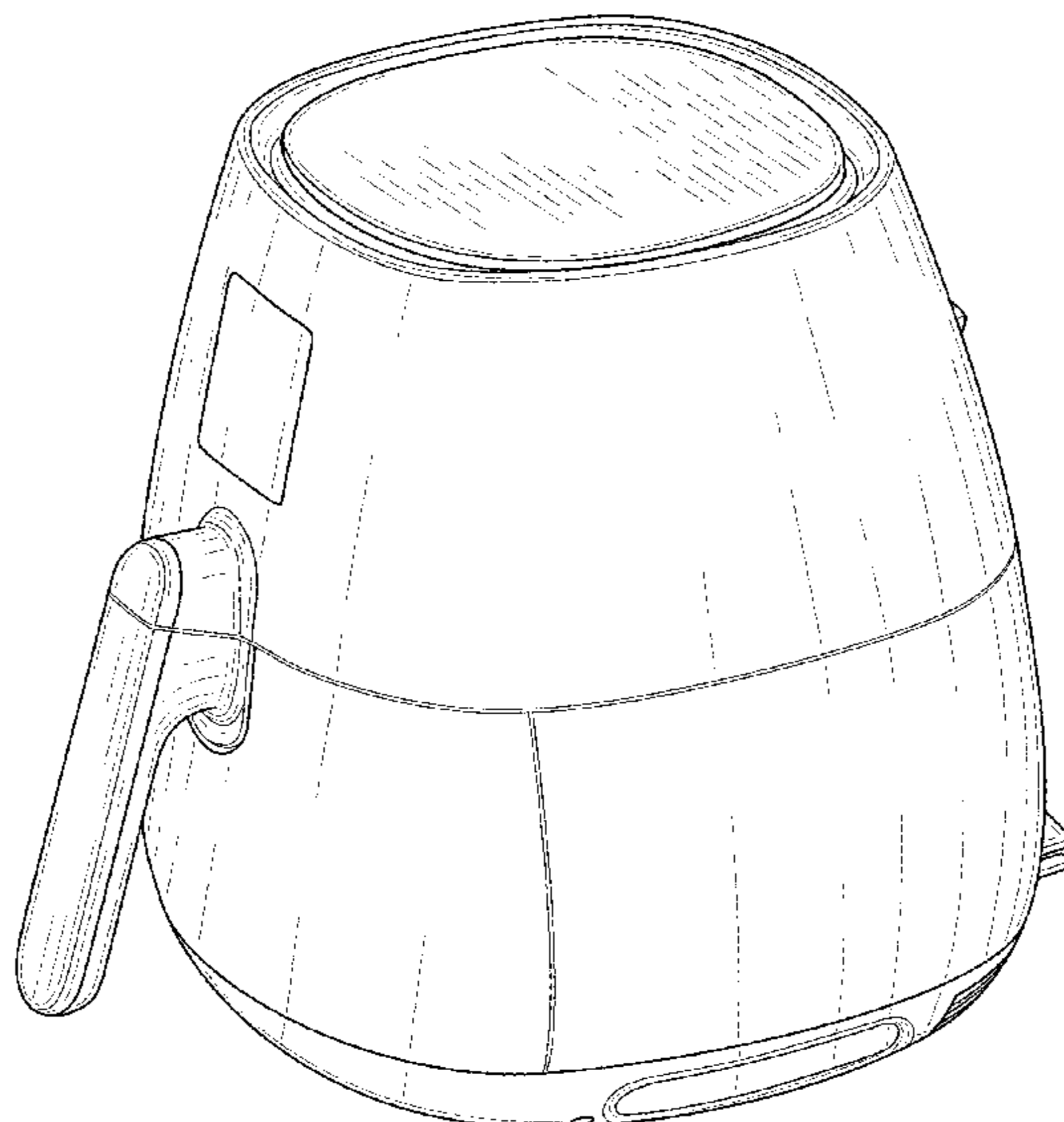
**DESCRIPTION**

USPC ..... D7/323, 326, 354-361, 393, 397, 510,  
D7/533, 543, 629

CPC ..... A23L 1/01; A23L 1/0107; A23L 1/0114;  
A47J 27/00; A47J 27/08; A47J 27/09;  
A47J 27/092; A47J 36/025; A47J 36/06;  
A47J 36/08; A47J 36/10; A47J 36/12;  
A47J 36/165; A47J 36/18; A47J 36/20;  
A47J 36/22; A47J 37/00; A47J 37/043;  
A47J 37/12; A47J 37/1204; A47J  
37/1209; A47J 37/1214; A47J 37/1219;  
A47J 37/1266; A47J 37/1285; A47J

FIG. 1 is a perspective view showing my design;  
FIG. 2 is a front elevational view thereof;  
FIG. 3 is a right side elevational view thereof;  
FIG. 4 is a left side elevational view thereof;  
FIG. 5 is a top plan view thereof; and,  
FIG. 6 is a bottom plan view thereof.  
The broken lines shown in the drawings are for illustrative  
purposes only and form no part of the claimed design.

**1 Claim, 6 Drawing Sheets**



(56)

References Cited

U.S. PATENT DOCUMENTS

D552,921	S	10/2007	Garman et al.	
D555,427	S	11/2007	Picozza et al.	
D557,552	S	12/2007	Matras	
D587,967	S *	3/2009	Wahl .....	D7/507
D592,008	S	5/2009	Reiner	
D593,372	S *	6/2009	Carreno .....	D7/608
D611,757	S	3/2010	Reiner	
D630,467	S	1/2011	Harrod	
D653,902	S	2/2012	Chen	
D669,307	S *	10/2012	Makhanlall .....	D7/316
D673,426	S	1/2013	Heiberg et al.	
D674,651	S	1/2013	Berge	
D677,112	S	3/2013	Piret	
D677,113	S	3/2013	Reiner	
D680,800	S	4/2013	Berge	
D680,801	S *	4/2013	Seymour .....	D7/354
D680,802	S	4/2013	Seymour	
D681,392	S	5/2013	Dichraff et al.	
D688,094	S	8/2013	Arnold et al.	
D692,718	S	11/2013	Verbrugge et al.	
D701,075	S	3/2014	Wai	
D712,702	S *	9/2014	Stamper .....	D7/543
D713,206	S *	9/2014	Lane .....	D7/533
D716,096	S *	10/2014	Krooshof .....	D7/326
D719,397	S *	12/2014	Krooshof .....	D7/354
D746,098	S *	12/2015	Glupker .....	D7/354
D750,418	S *	3/2016	Allende Fritsch .....	D7/354
D753,951	S *	4/2016	Cornu .....	D7/316
2008/0163764	A1 *	7/2008	Payen .....	A47J 37/043 99/447
2008/0274246	A1	11/2008	Glucksman et al.	

\* cited by examiner

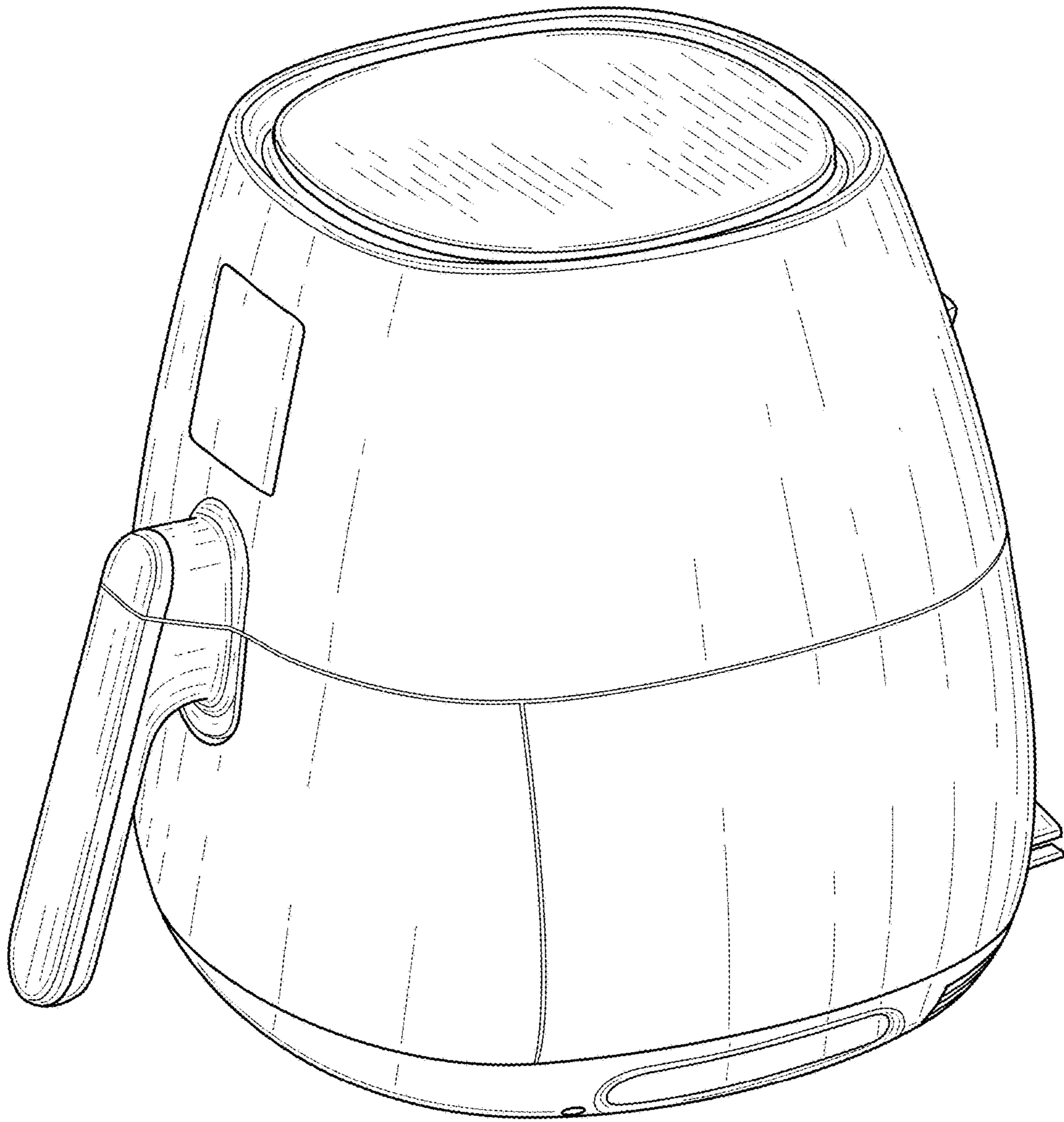


FIG. 1

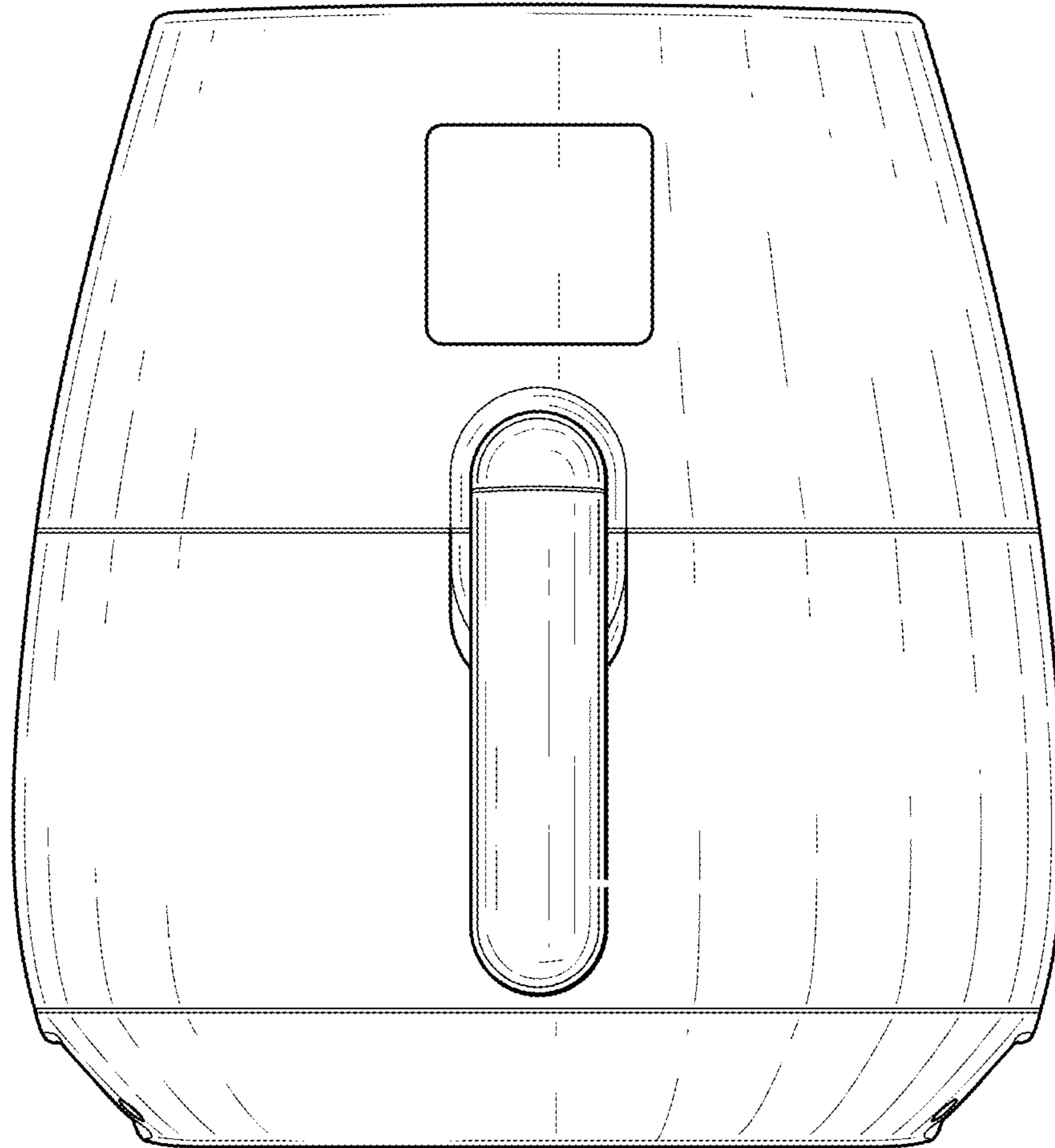


FIG. 2

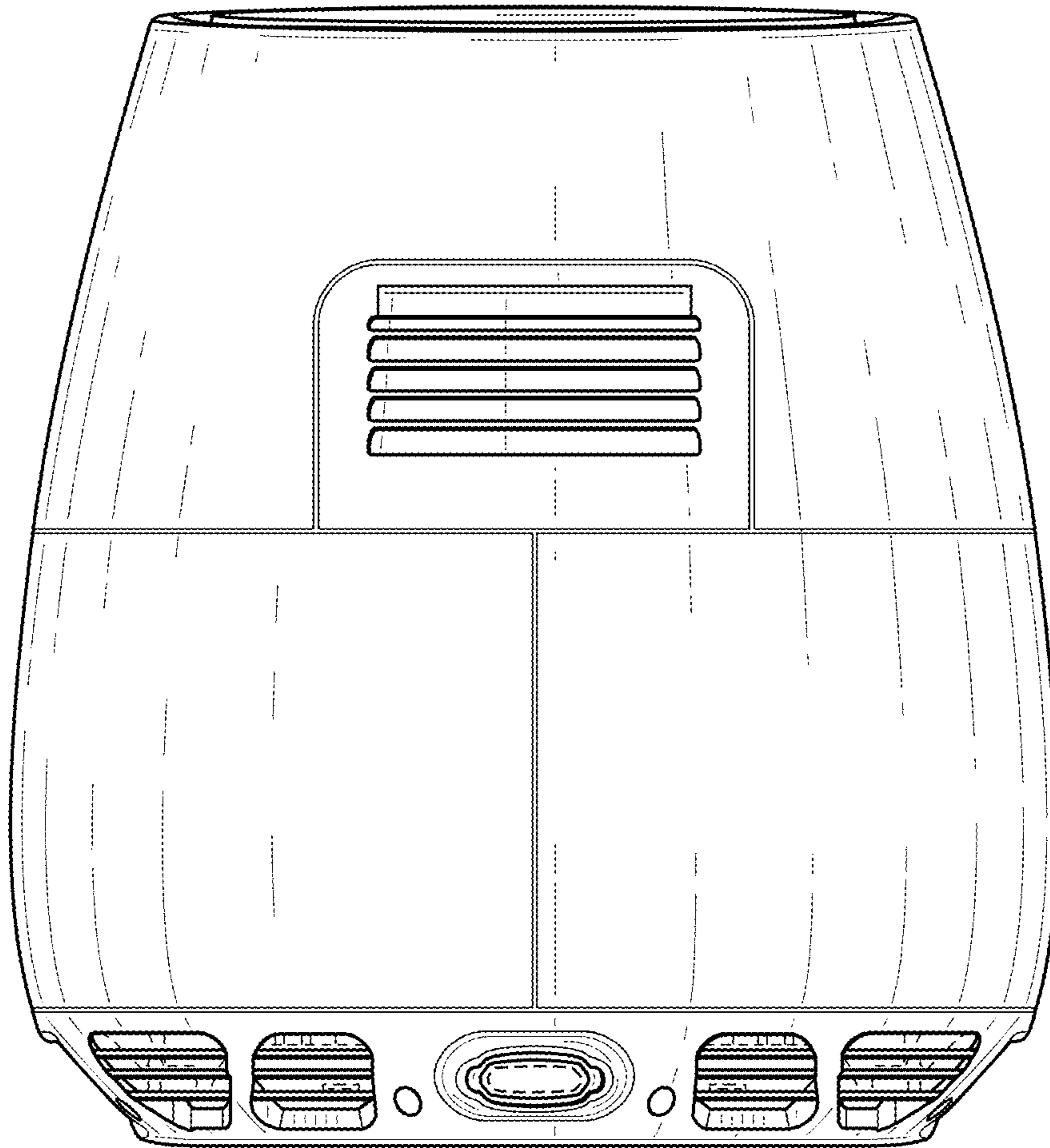


FIG. 3

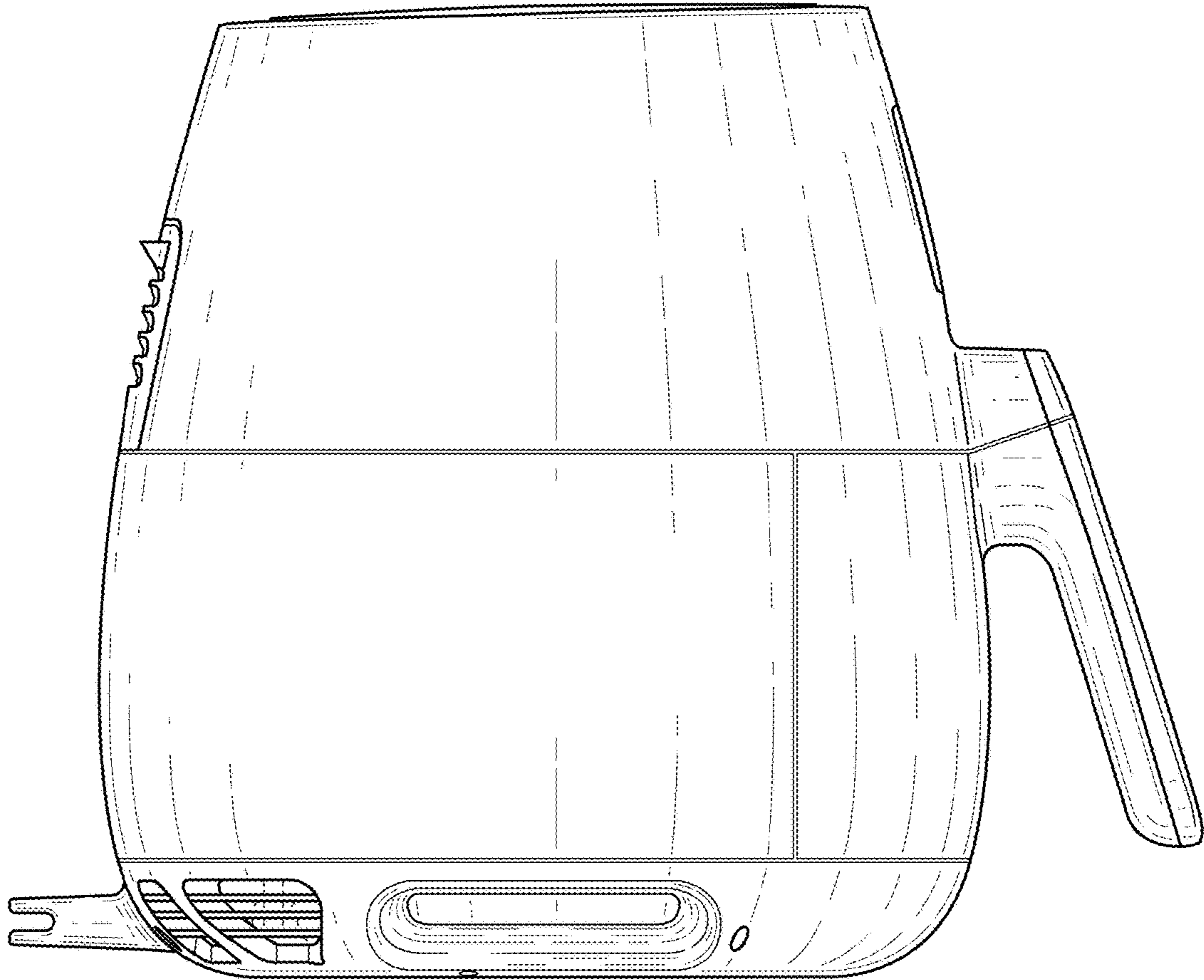


FIG. 4

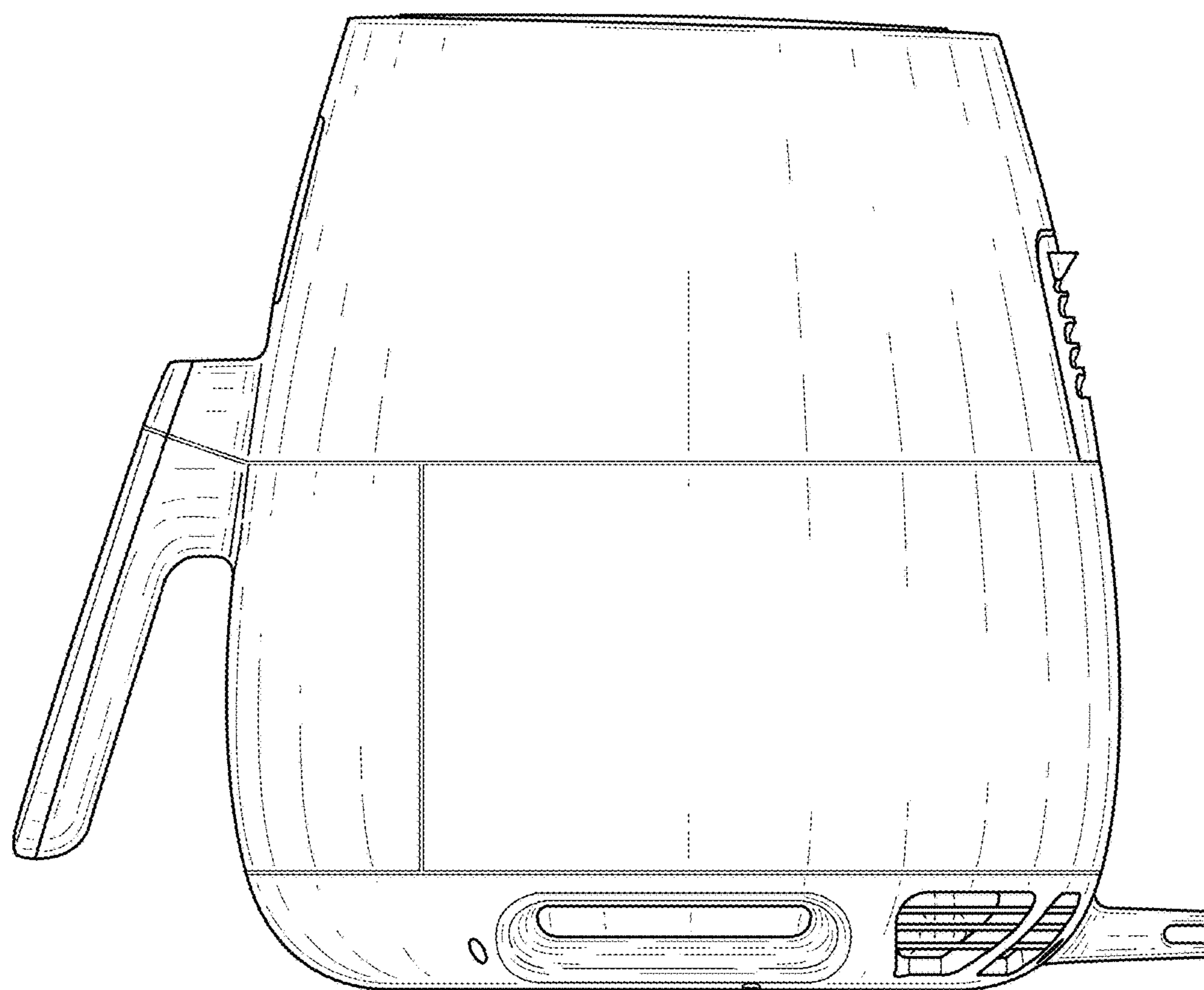


FIG. 5

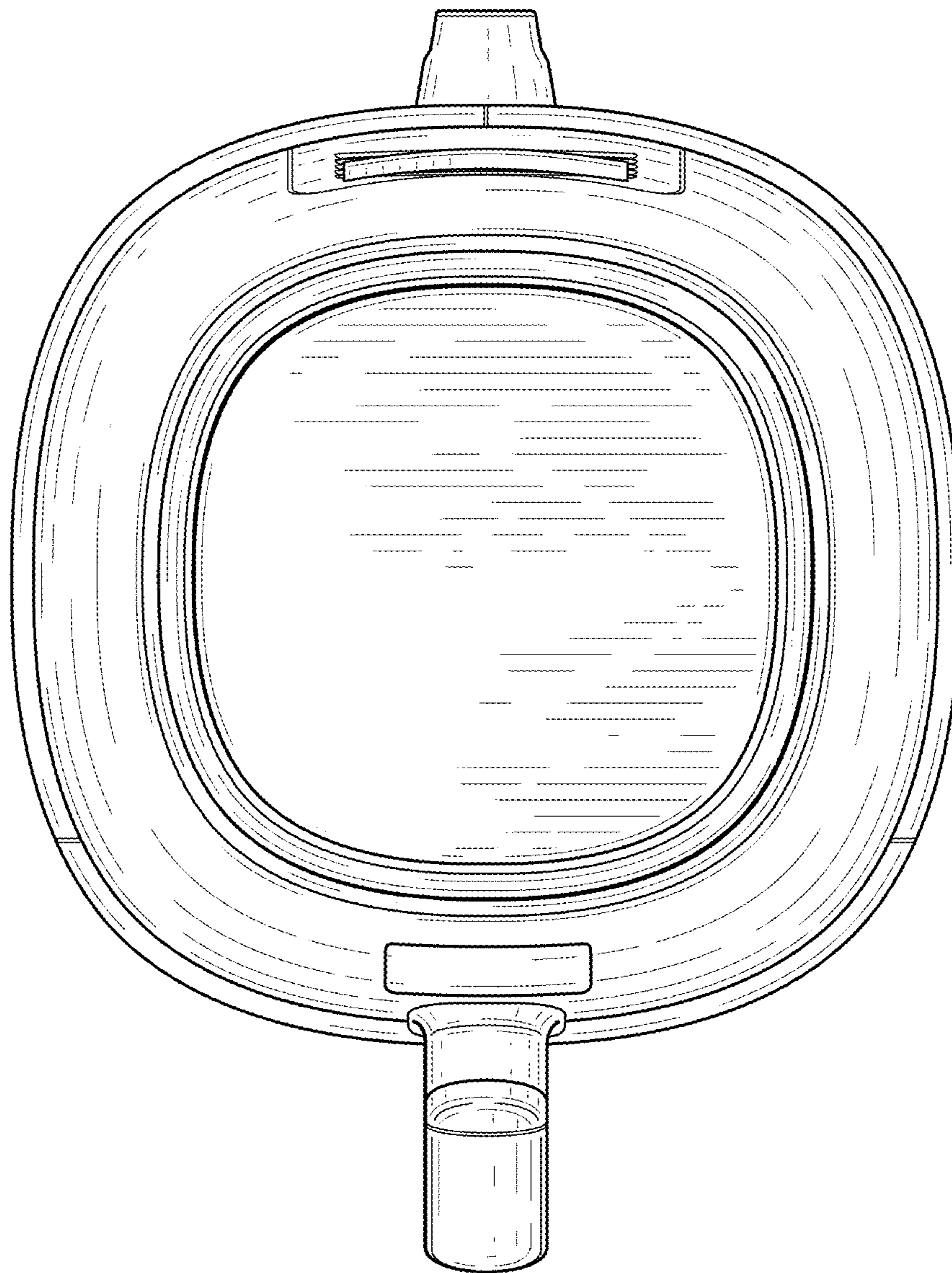


FIG. 6