



US00D793796S

(12) **United States Design Patent**
Hebert, Jr. et al.

(10) **Patent No.:** **US D793,796 S**
(45) **Date of Patent:** **** Aug. 8, 2017**

(54) **MULTI-BURNER STOVE SYSTEM**

DESCRIPTION

- (71) Applicants: **Michael E. Hebert, Jr.**, Milford, NH (US); **Adam E. Wilcox**, Candia, NH (US); **Jeffrey M. Megivern**, Manchester, NH (US)
- (72) Inventors: **Michael E. Hebert, Jr.**, Milford, NH (US); **Adam E. Wilcox**, Candia, NH (US); **Jeffrey M. Megivern**, Manchester, NH (US)
- (73) Assignee: **Johnson Outdoors Inc.**, Racine, WI (US)
- (**) Term: **15 Years**
- (21) Appl. No.: **29/529,214**
- (22) Filed: **Jun. 4, 2015**
- (51) **LOC (10) Cl.** **07-02**
- (52) **U.S. Cl.**
USPC **D7/354**
- (58) **Field of Classification Search**
USPC D7/332-337, 402, 323, 327, 339-341, D7/403, 354-356, 359-361; D34/12, 17, D34/19, 20; D23/286

(Continued)

(56) **References Cited**

U.S. PATENT DOCUMENTS

101,621 A * 4/1870 Hulbert A47J 37/0763
126/26

189,787 A 4/1877 Rothschild, Jr.
(Continued)

Primary Examiner — Susan Bennett Hattan
Assistant Examiner — Brett Miller

(74) *Attorney, Agent, or Firm* — Reinhart Boerner Van Deuren P.C.

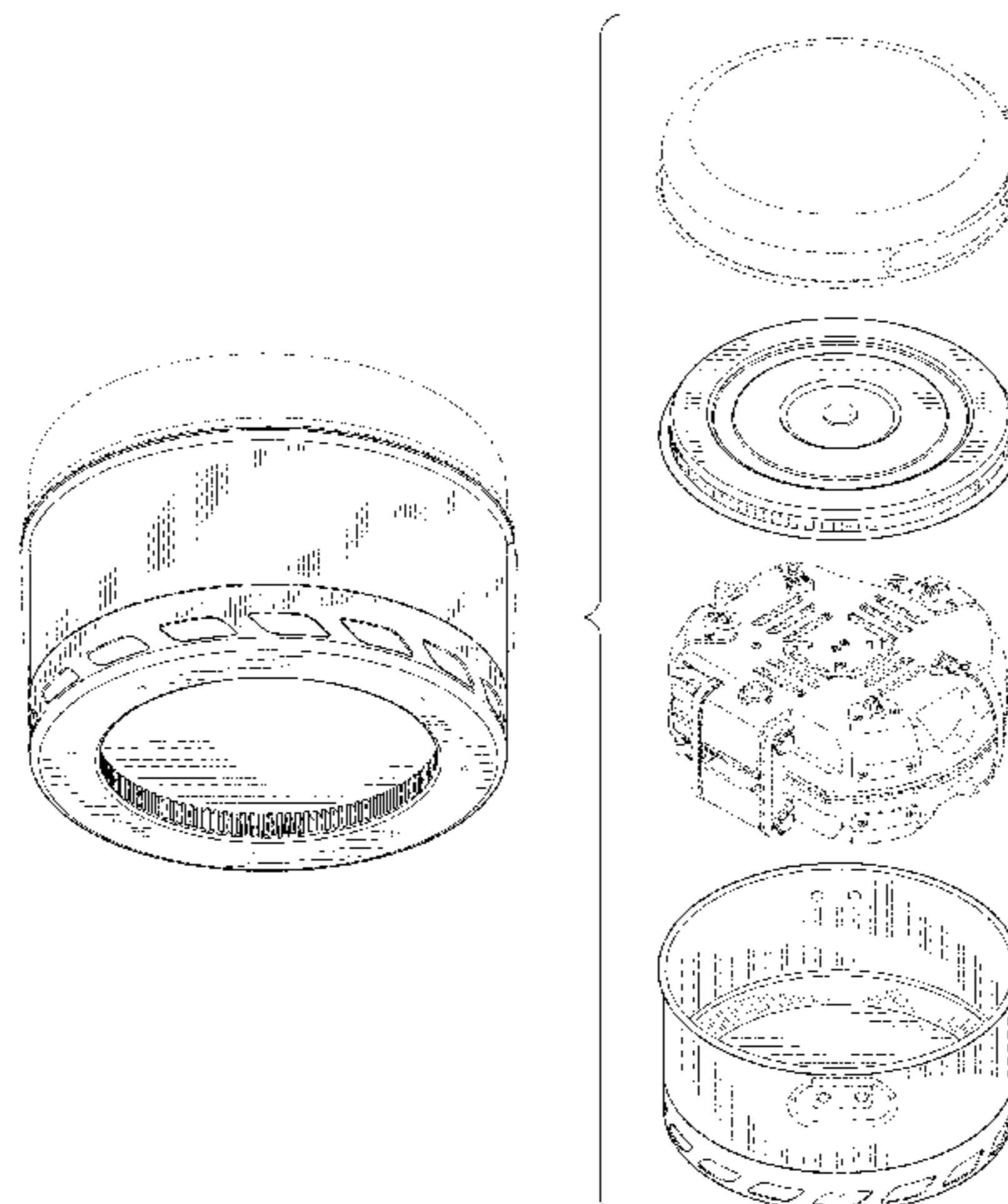
(57) **CLAIM**

We claim the ornamental design for the multi-burner stove system, as shown and described.

FIG. 1 is a perspective view of the multi-burner stove system showing a top, front and right side thereof;
 FIG. 2 is another perspective view, showing the top, front, and left side view thereof;
 FIG. 3 is another perspective view, showing a bottom, front, and right side view thereof;
 FIG. 4 is another perspective view, showing the bottom, front, and left side view thereof;
 FIG. 5 is another perspective view, showing the bottom and front view thereof;
 FIG. 6 is another perspective view, showing the bottom and back view thereof;
 FIG. 7 is a front view thereof;
 FIG. 8 is a left side view thereof;
 FIG. 9 is a right side view thereof showing the side opposite that shown in FIG. 8;
 FIG. 10 is a back view thereof;
 FIG. 11 is a top view thereof;
 FIG. 12 is a bottom view thereof;
 FIG. 13 is an exploded perspective view of the multi-burner stove system, showing the top and right side view thereof;
 FIG. 14 is another exploded perspective view, showing the bottom and right side view thereof;
 FIG. 15 is another exploded perspective view, showing the bottom and left side view thereof;
 FIG. 16 is another exploded perspective view, showing the top and left side view thereof;
 FIG. 17 is another exploded perspective view, showing the top and back view thereof; and,
 FIG. 18 is another exploded perspective view, showing the top and front view thereof.

The broken lines shown depict unclaimed portions of the multi-burner stove system, and features shown in broken lines form no part of the claimed design.

1 Claim, 13 Drawing Sheets



(58) **Field of Classification Search**
 CPC A47J 37/0704; A47J 37/0786; A47J
 37/0763; A47J 37/0713; A47J 37/0781;
 A47J 2037/0777; A47J 33/00; A47J
 36/26; A47J 36/36; A47J 27/088; A47J
 27/022; A47J 36/02; F24C 3/14; F24C
 7/10; F24C 15/18; F24C 15/12; F24B
 1/207

See application file for complete search history.

(56) **References Cited**

U.S. PATENT DOCUMENTS

1,201,138 A * 10/1916 Bingham A47J 36/36
 126/376.1
 2,278,734 A 4/1942 Perry
 D143,360 S * 12/1945 Stempel D7/337
 D184,450 S * 2/1959 Morton D7/337
 3,140,740 A 7/1964 Lagreid et al.
 3,783,856 A 1/1974 Amos
 3,789,821 A 2/1974 Fick et al.
 3,804,076 A * 4/1974 Fant A47J 36/30
 126/261
 4,643,164 A * 2/1987 LaForge F24C 3/14
 126/38
 4,954,075 A 9/1990 Francino
 D376,724 S * 12/1996 Mendelson D7/354
 5,860,410 A 1/1999 Hollingsworth, Jr.
 6,038,965 A 3/2000 Thorndyke
 6,202,640 B1 3/2001 Naperola et al.
 D449,204 S * 10/2001 Groll D7/354
 D586,612 S * 2/2009 Rae D7/354

D600,971 S * 9/2009 Garpelin D7/354
 D618,038 S * 6/2010 Davies D7/337
 7,806,138 B1 * 10/2010 Frantz F17C 13/04
 137/263
 D669,730 S * 10/2012 Mandil D7/354
 D677,124 S * 3/2013 Montgomery D7/360
 D677,516 S * 3/2013 Cloutier D7/354
 D680,799 S * 4/2013 Chung D7/337
 8,596,863 B2 * 12/2013 Lescanec A47J 36/36
 116/216
 D698,197 S * 1/2014 Andersson D7/354
 D701,721 S * 4/2014 Jan D7/332
 2006/0185660 A1 8/2006 Sords
 2007/0034198 A1 * 2/2007 Arad F24C 3/14
 126/9 R
 2007/0087297 A1 4/2007 Long
 2007/0108197 A1 * 5/2007 Richardson B65D 15/14
 219/734
 2008/0029082 A1 * 2/2008 Dowst A47J 27/022
 126/9 B
 2009/0280447 A1 11/2009 Long
 2010/0206884 A1 * 8/2010 Tunstall A47J 27/022
 220/573.1
 2011/0253030 A1 * 10/2011 Lescanec A47J 27/022
 116/216
 2012/0125317 A1 5/2012 Caprathe
 2014/0209083 A1 * 7/2014 Young A47J 33/00
 126/30
 2014/0290640 A1 * 10/2014 Kim F24C 3/14
 126/38
 2014/0338652 A1 * 11/2014 Hagstrom A47J 36/26
 126/215

* cited by examiner

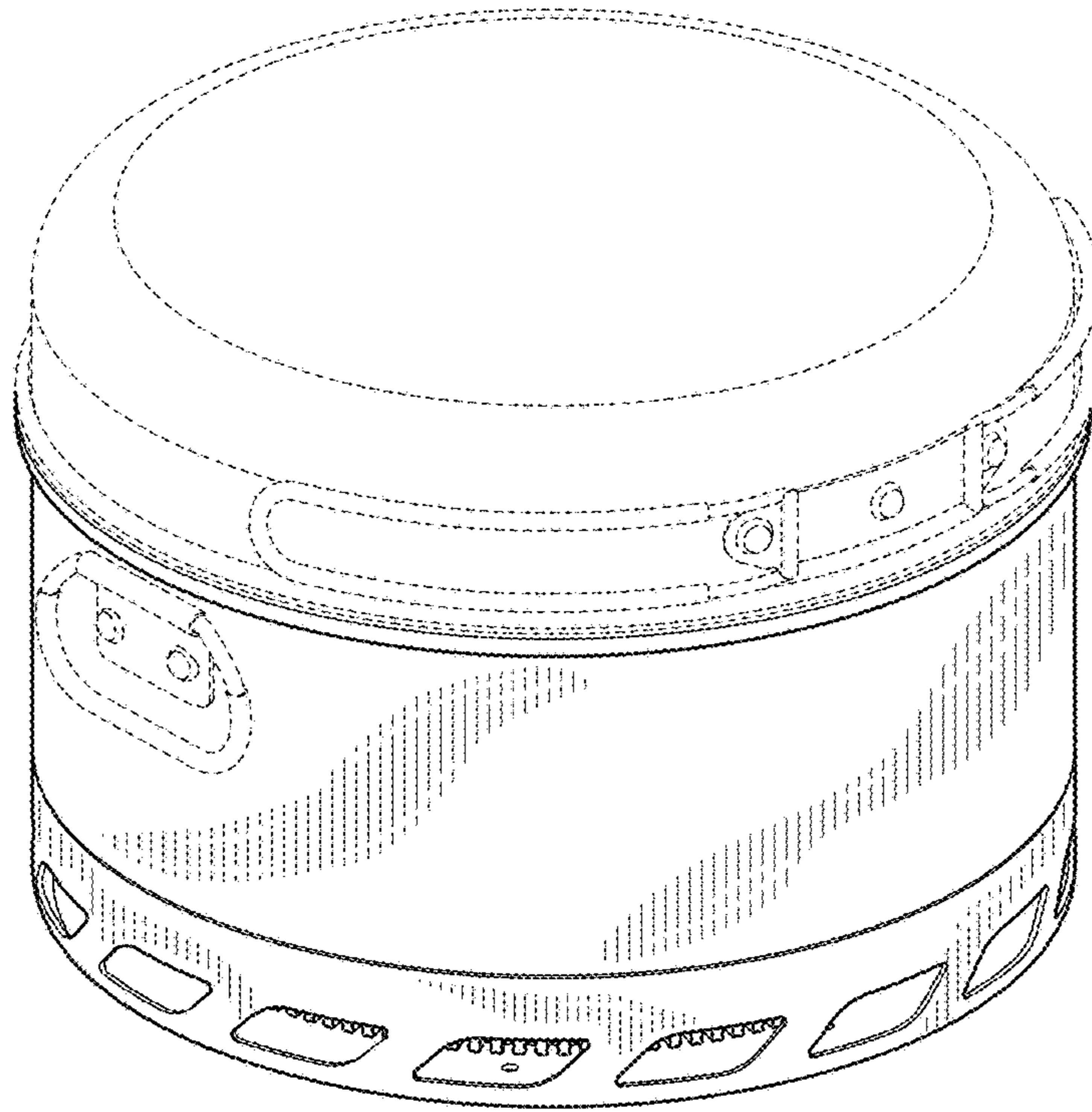


FIG. 1

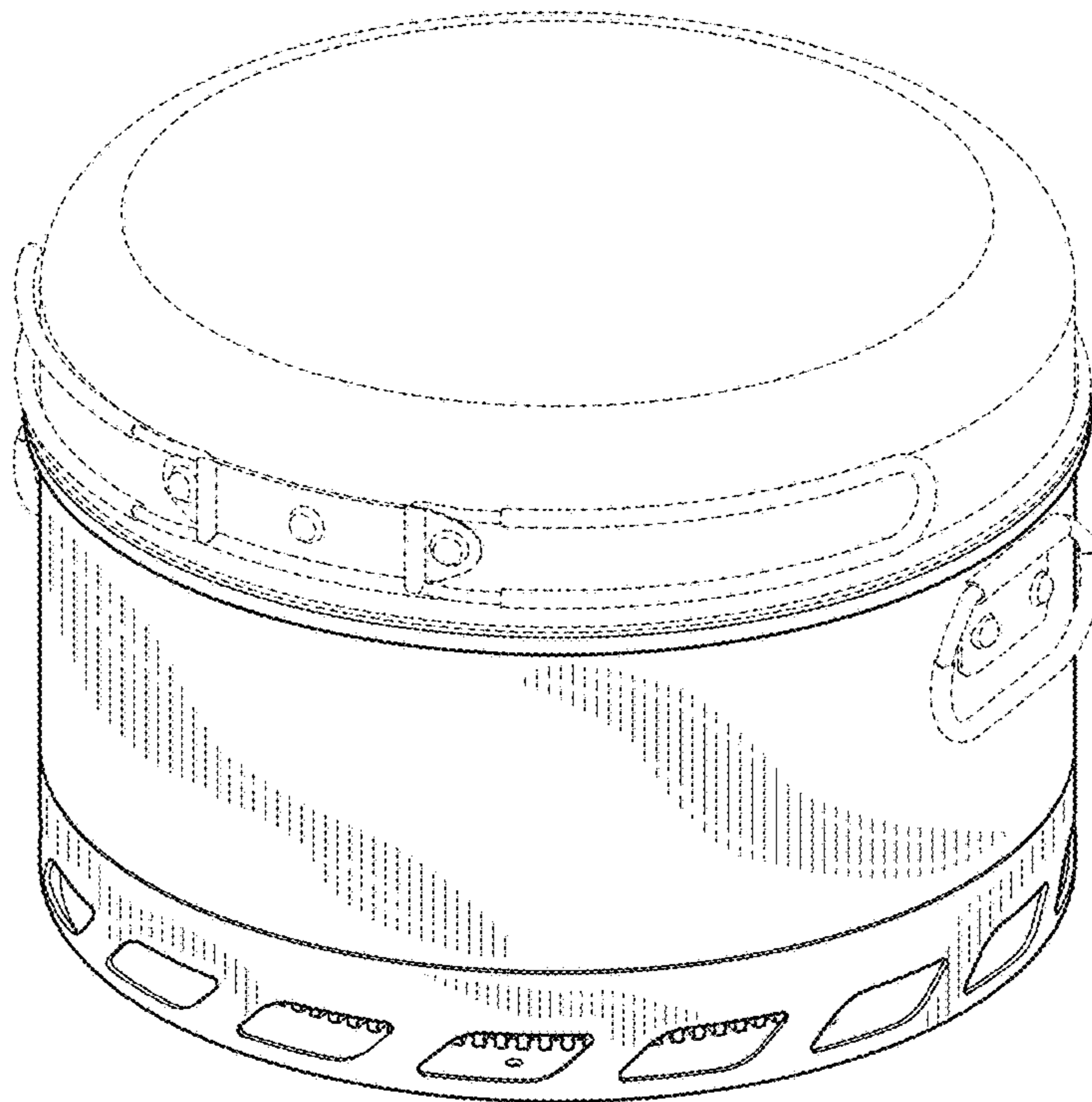


FIG. 2

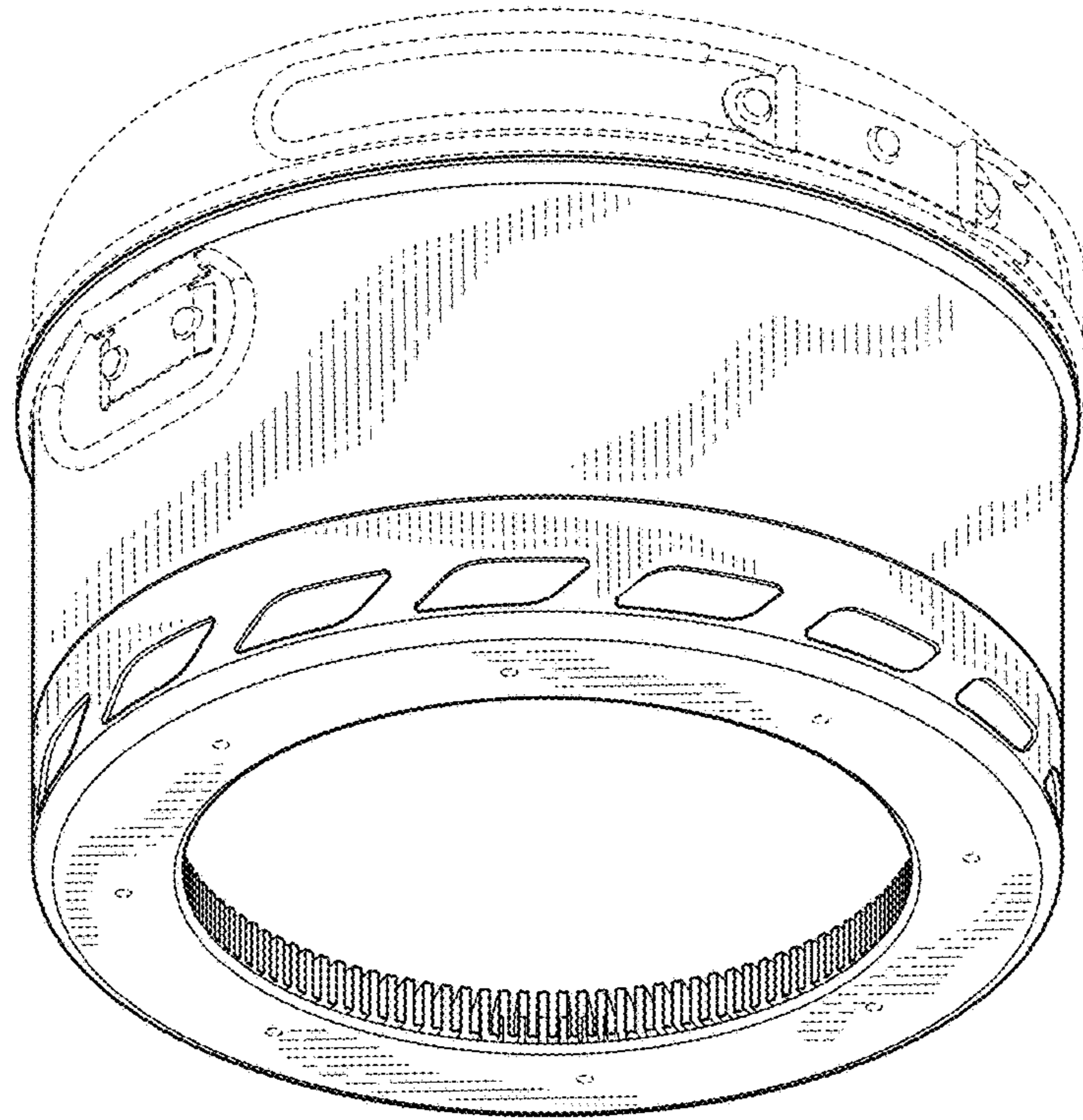


FIG. 3

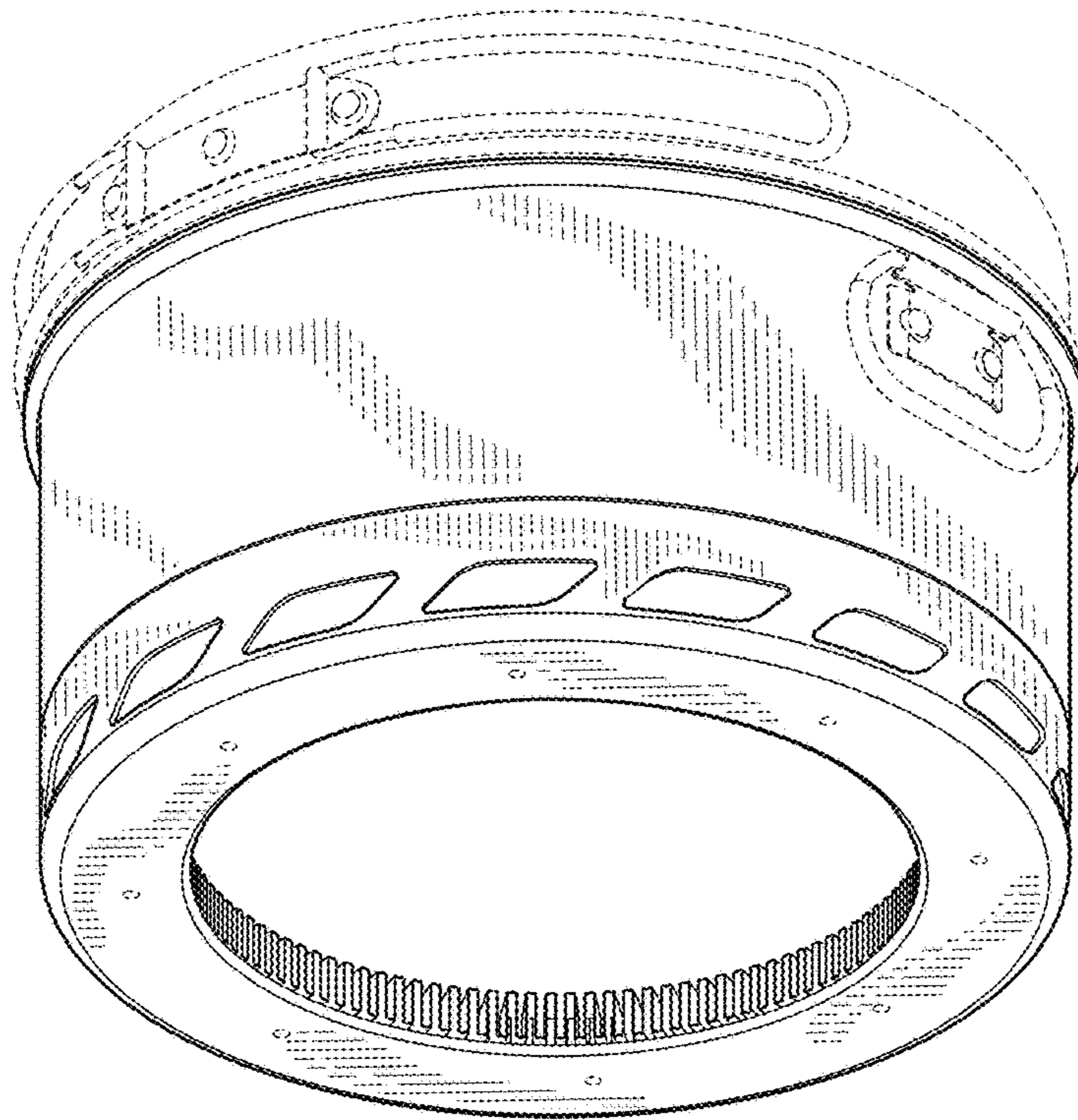


FIG. 4

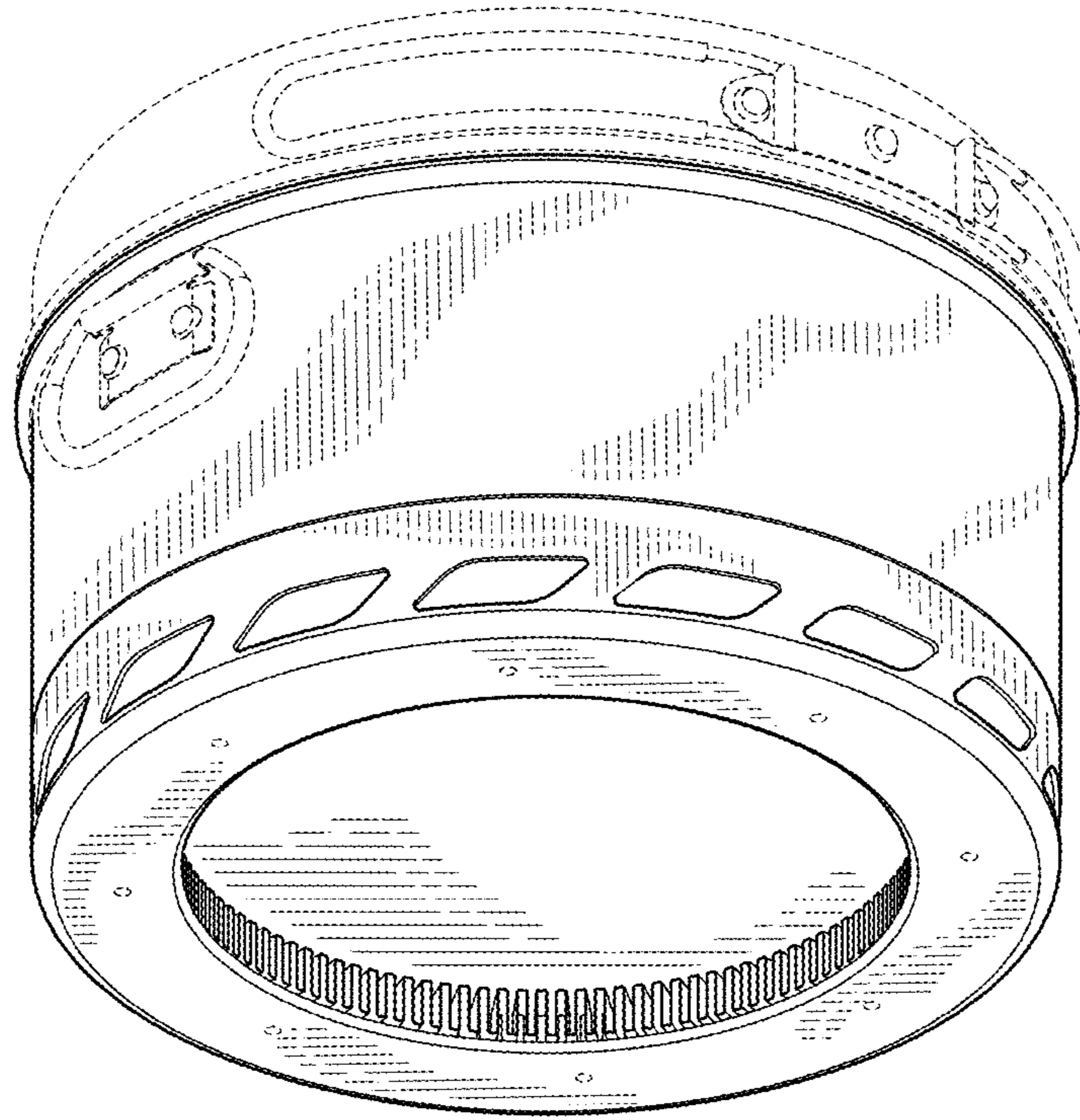


FIG. 3

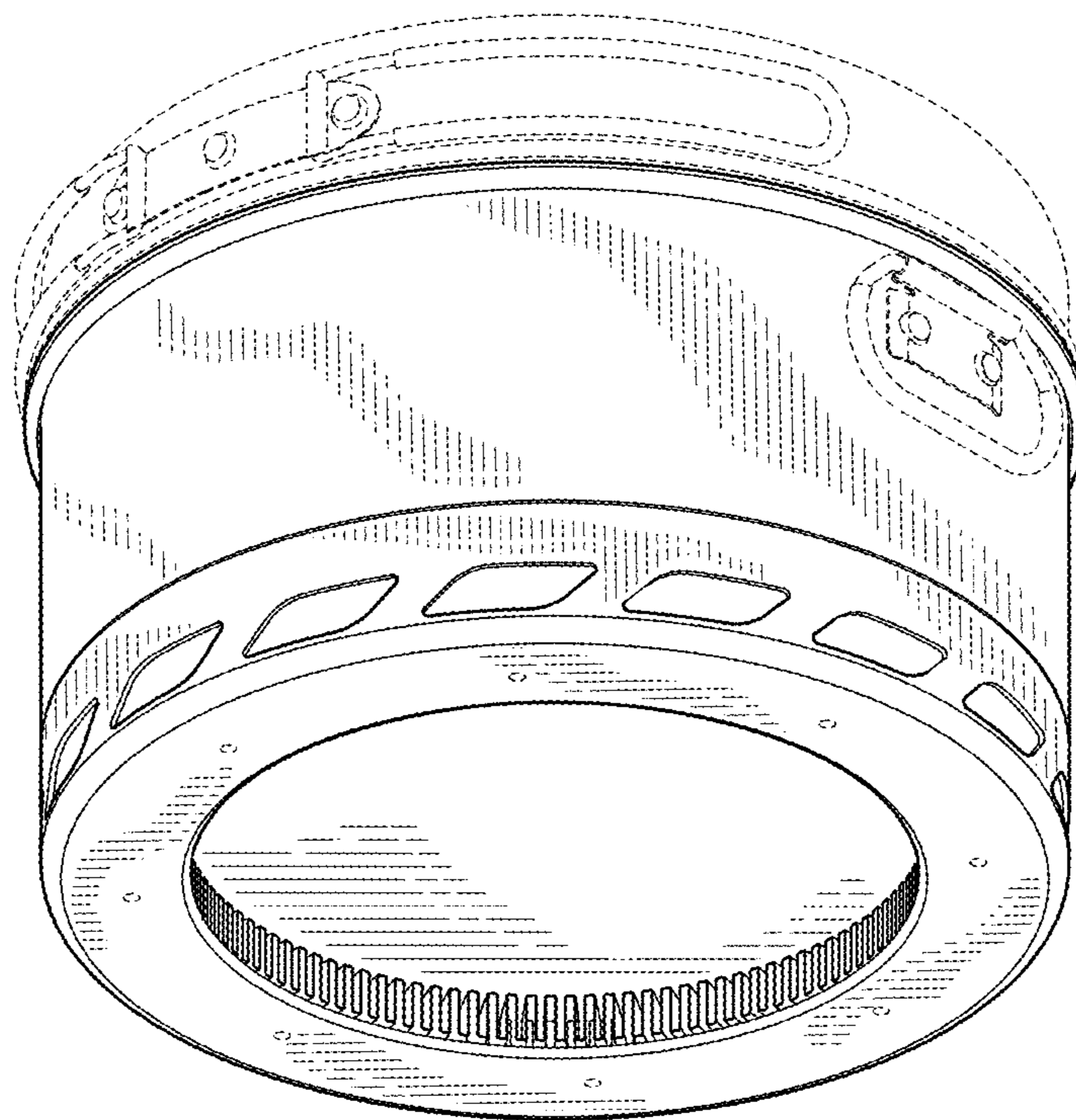


FIG. 4

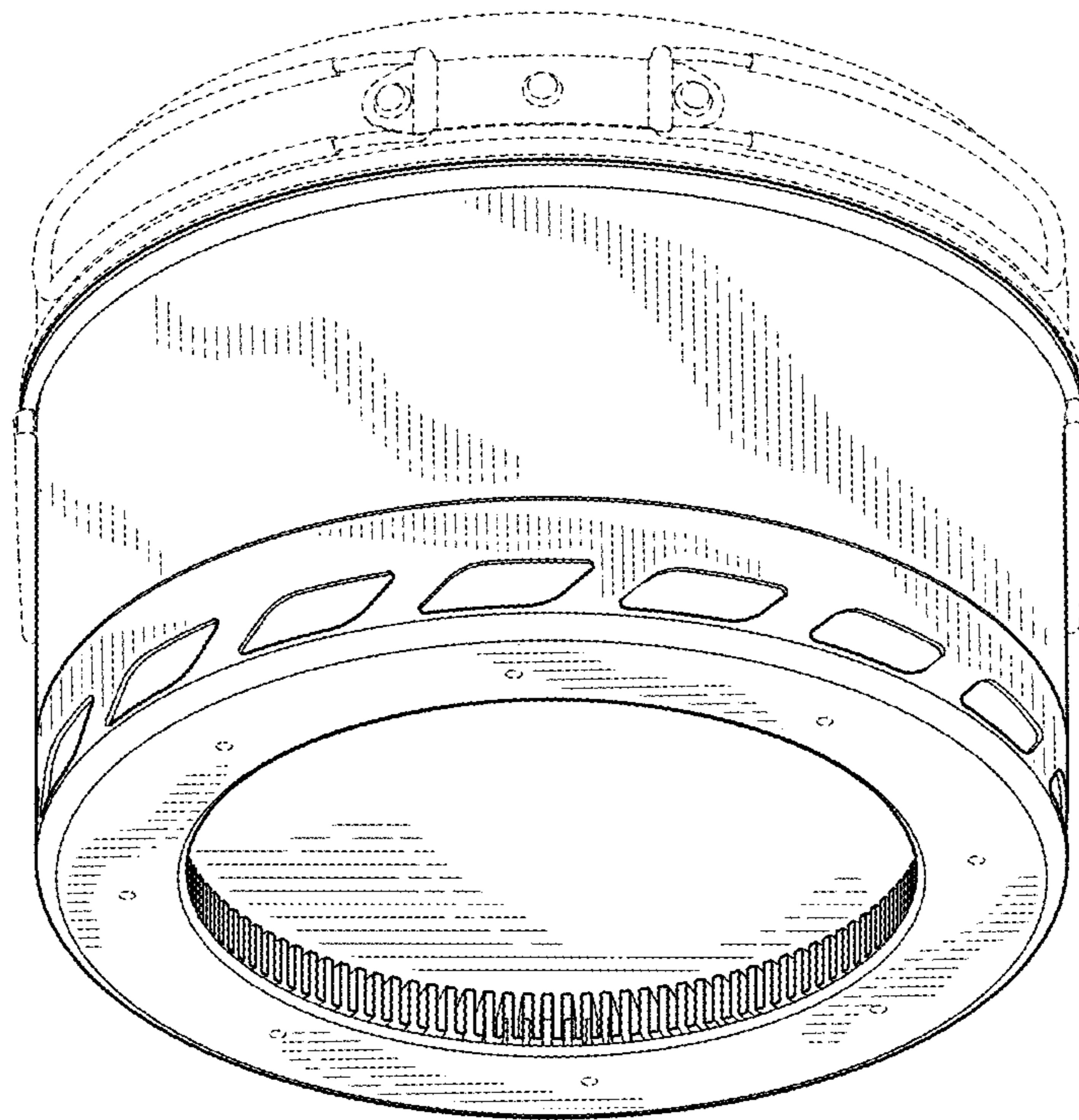


FIG. 5

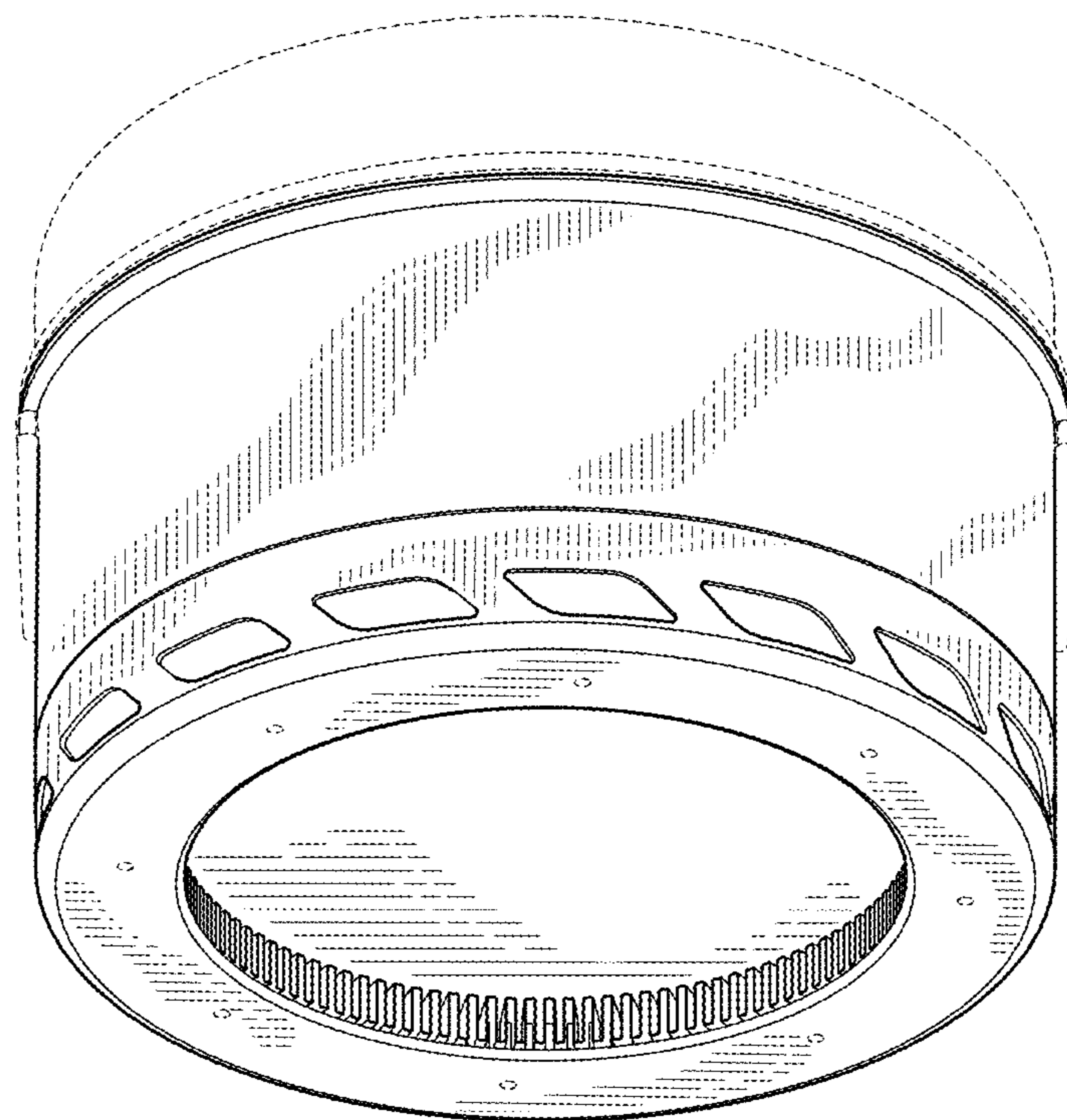


FIG. 6

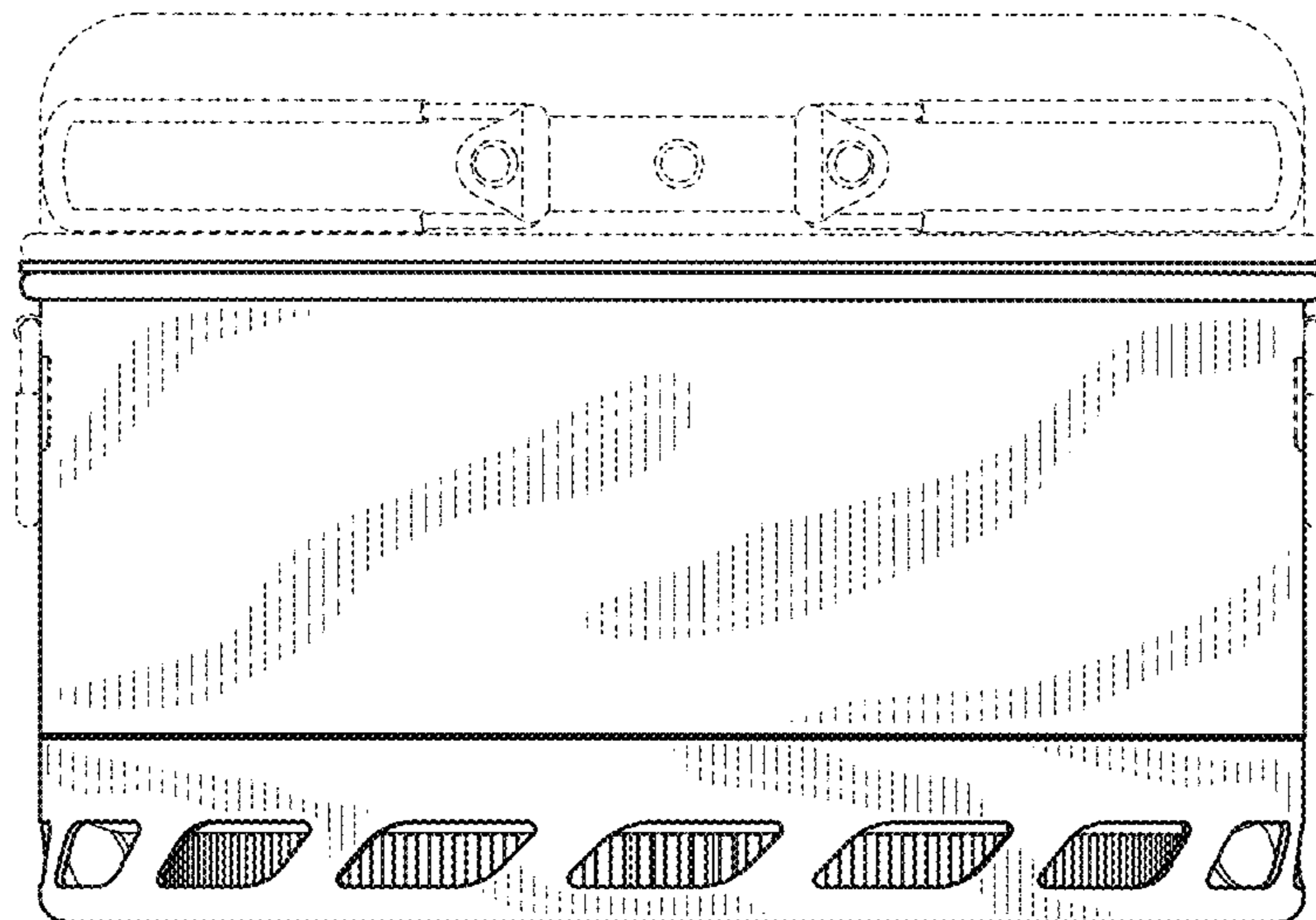


FIG. 7

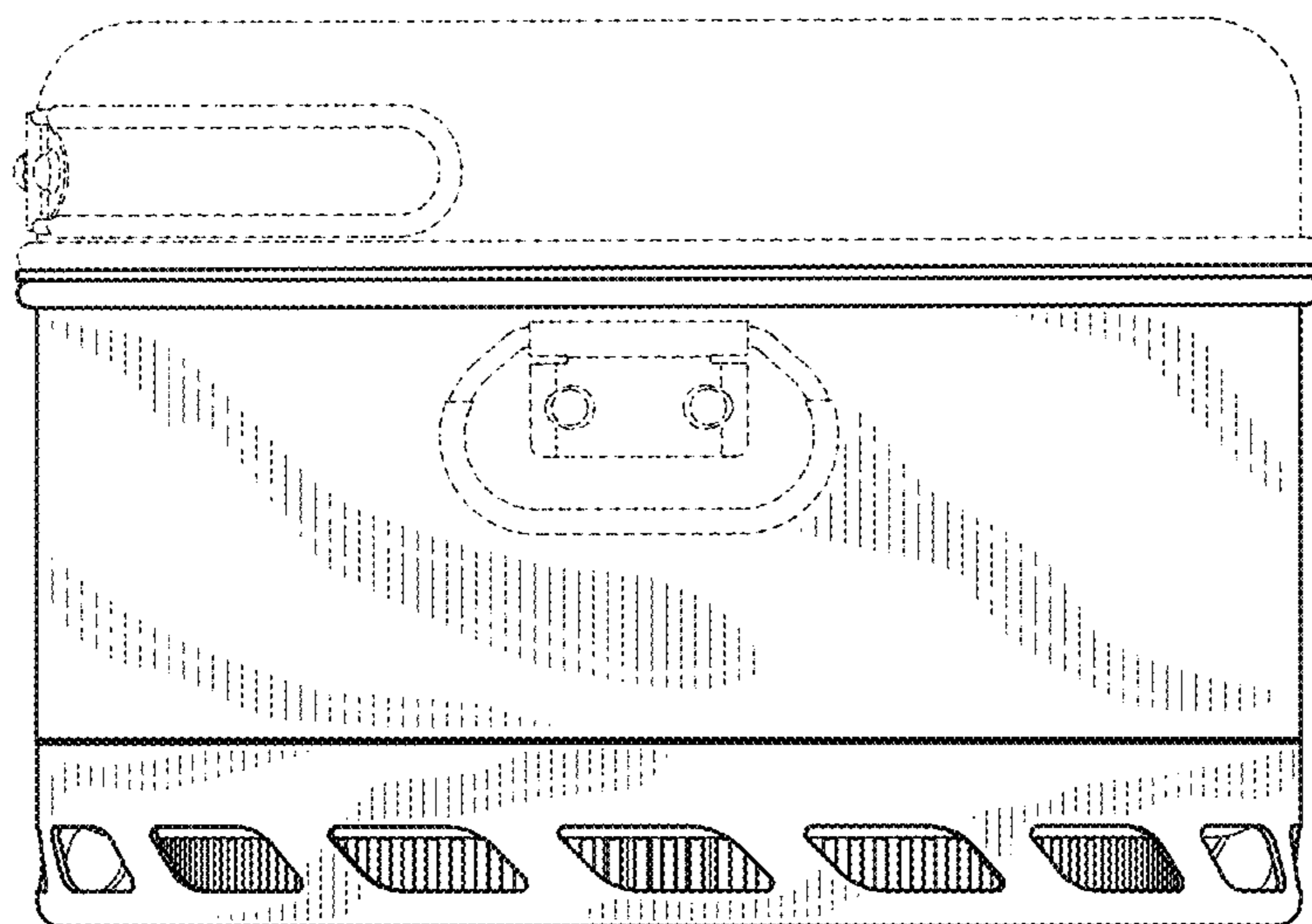


FIG. 8

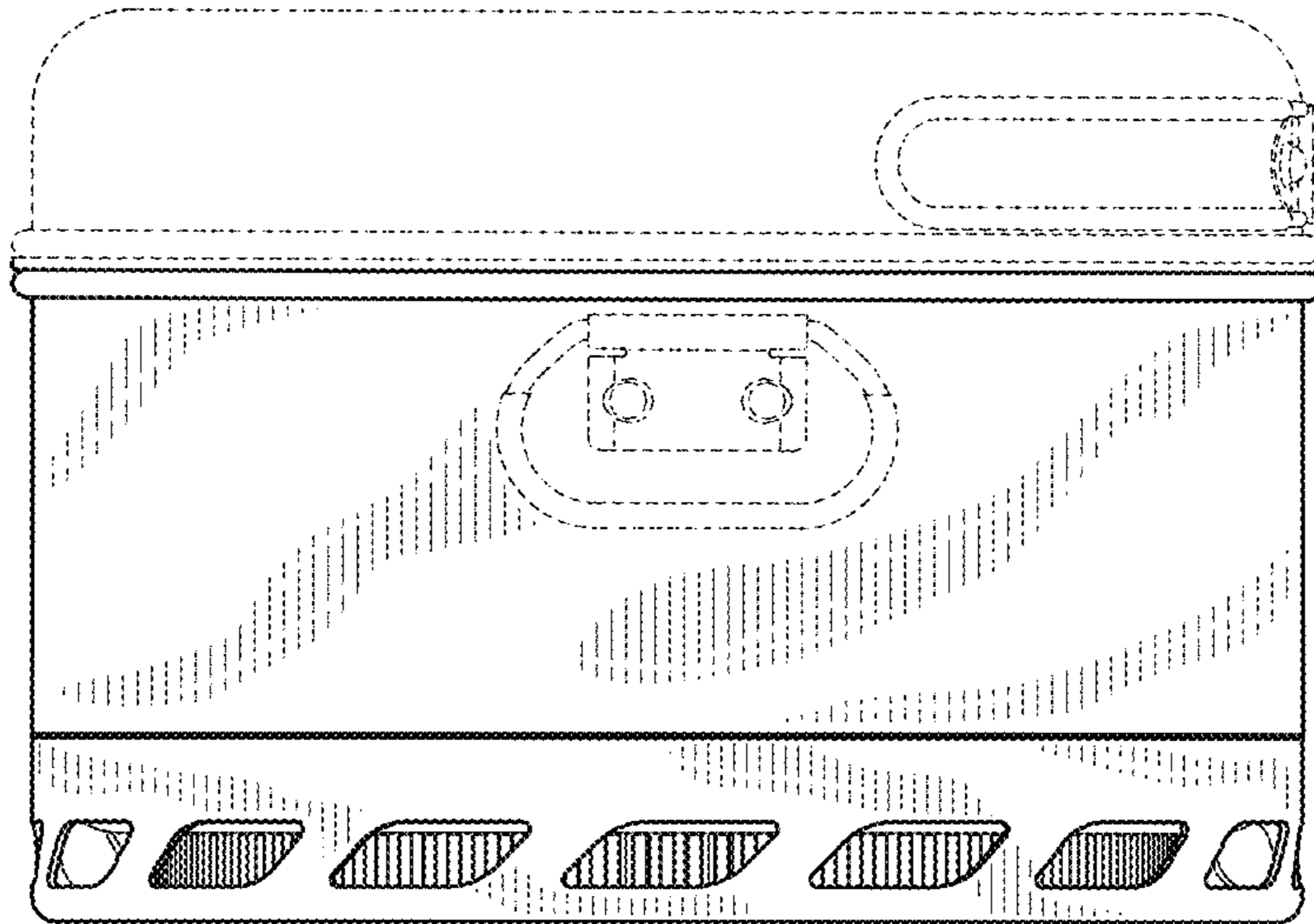


FIG. 9

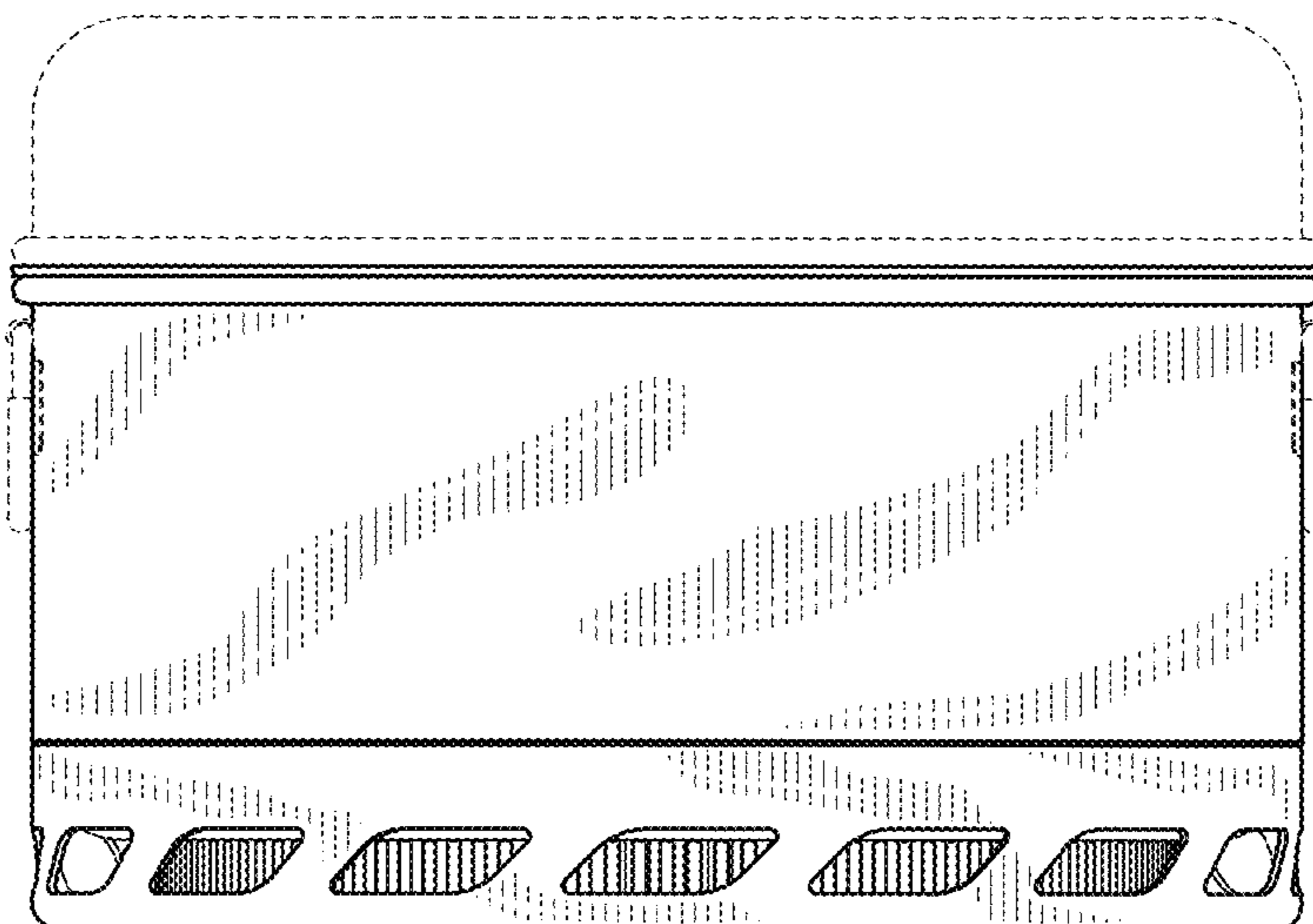


FIG. 10

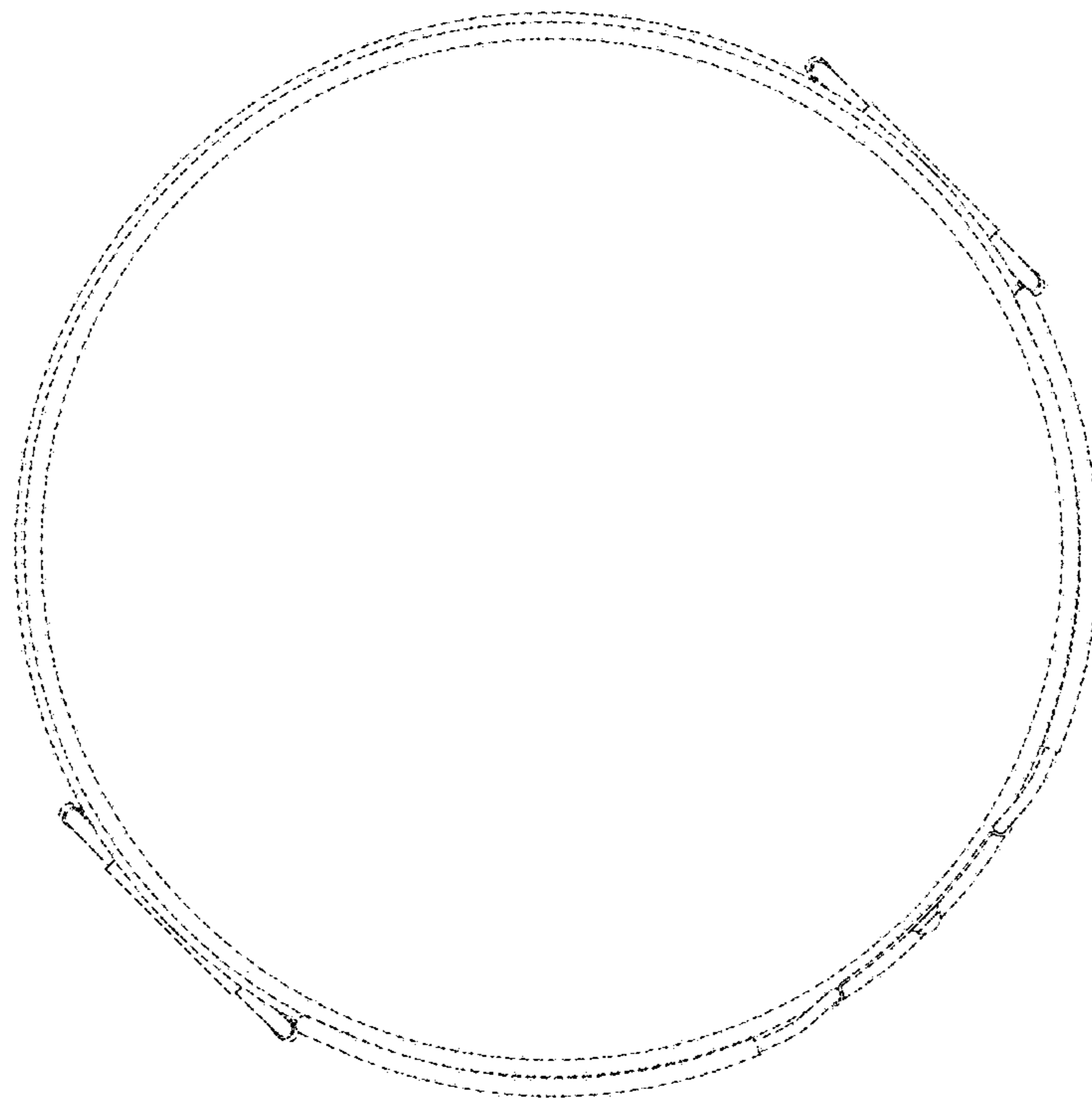


FIG. 11

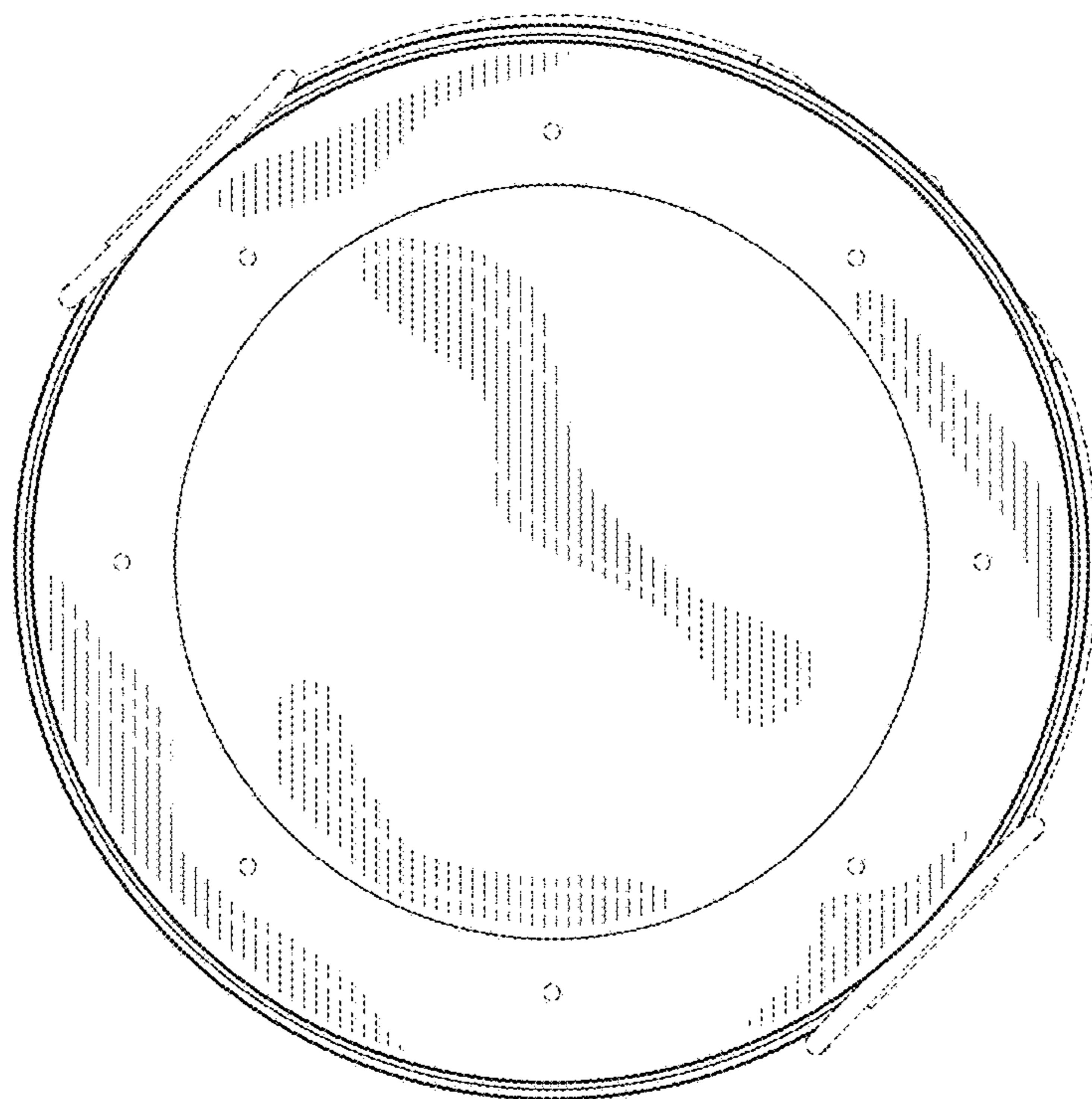


FIG. 12

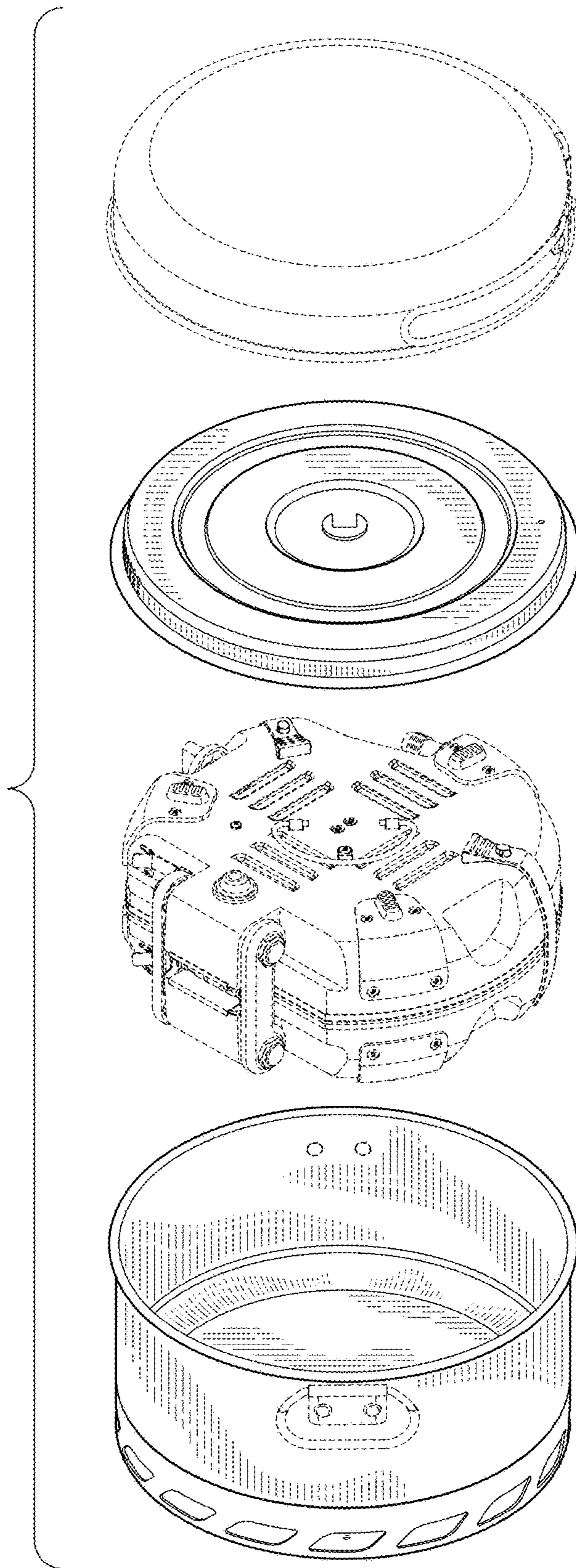


FIG. 13

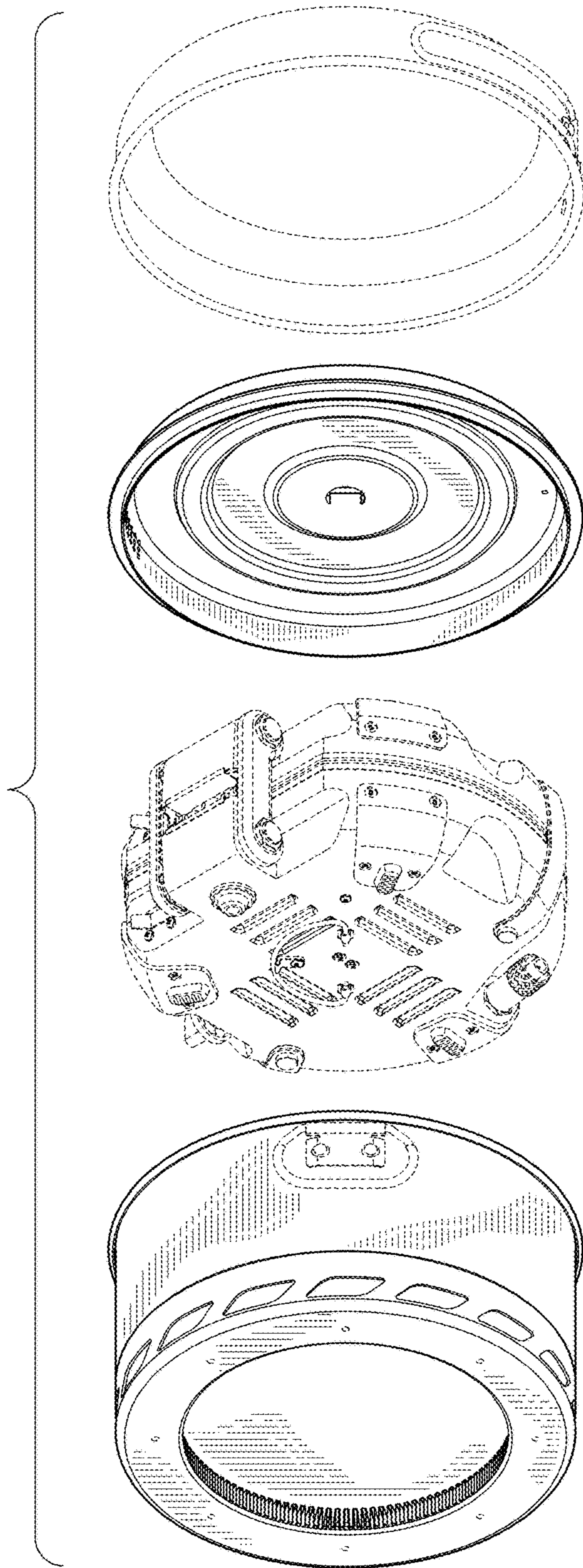


FIG. 14

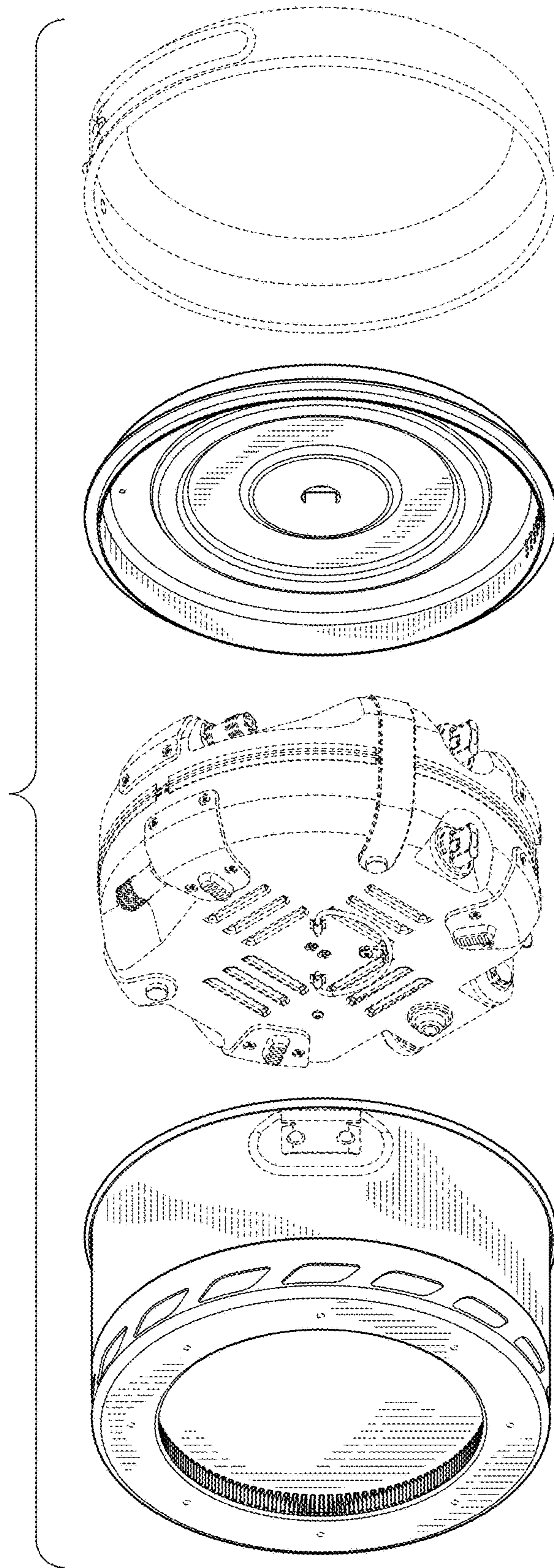


FIG. 15

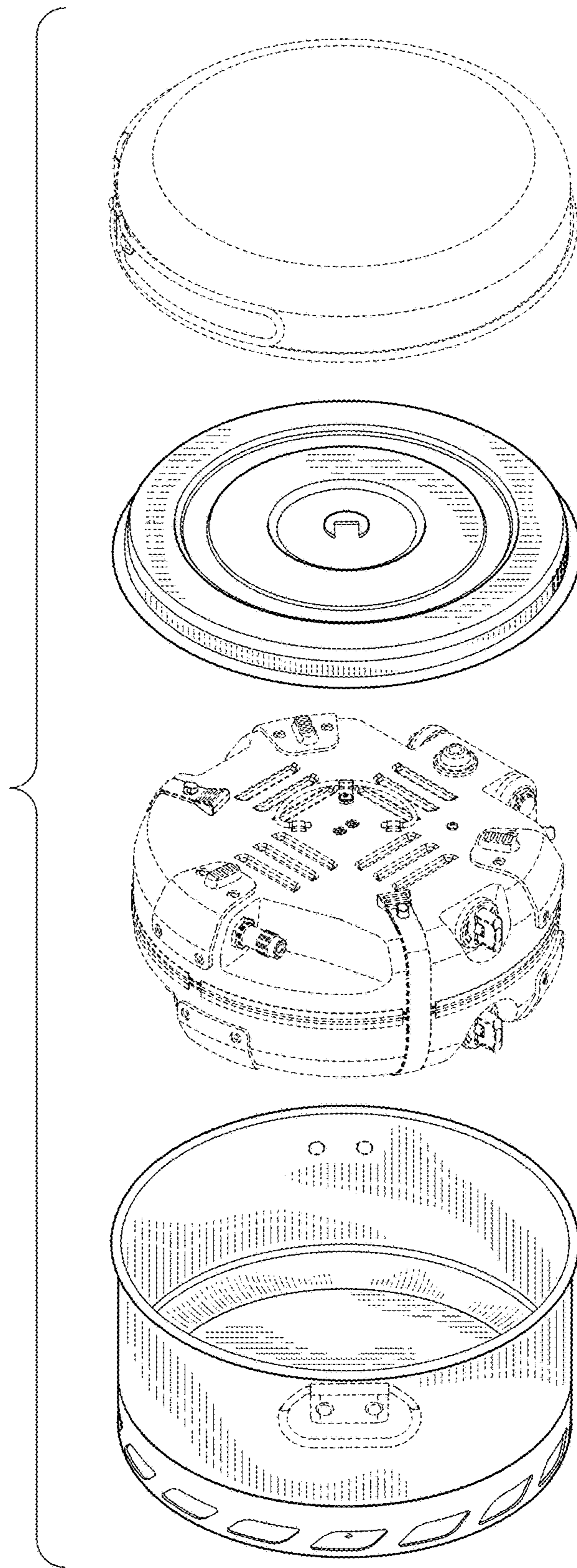


FIG. 16

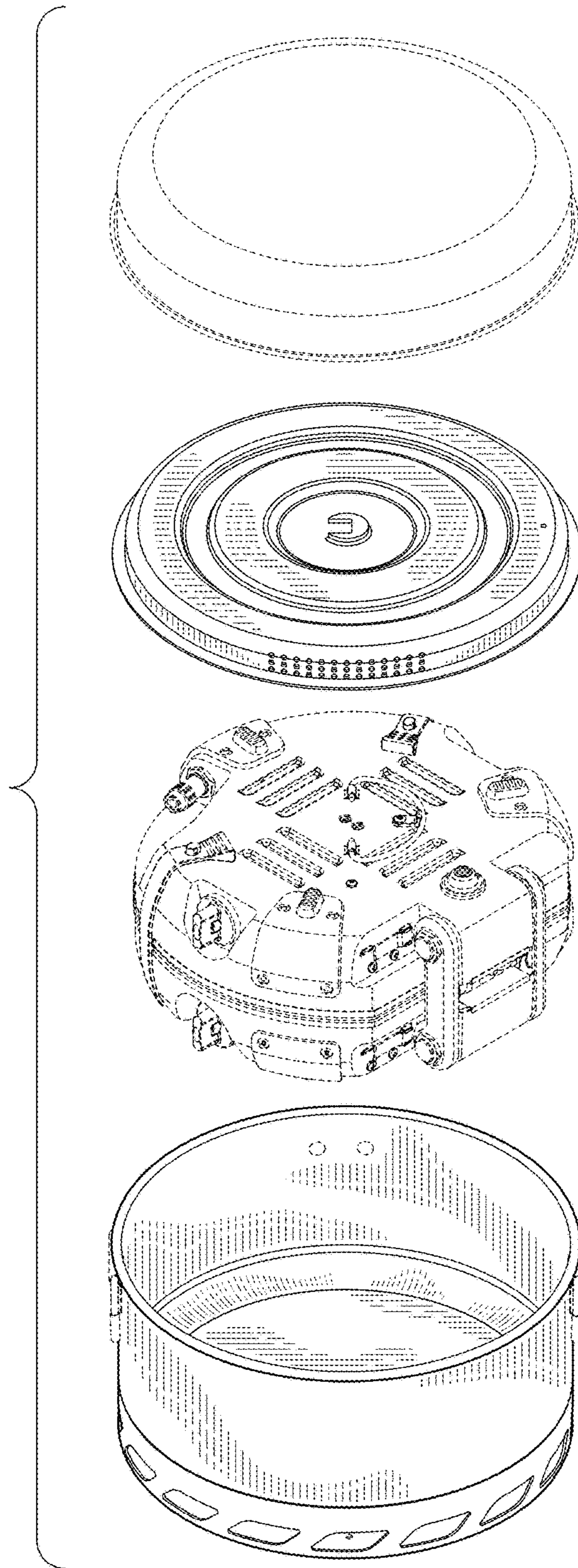


FIG. 17

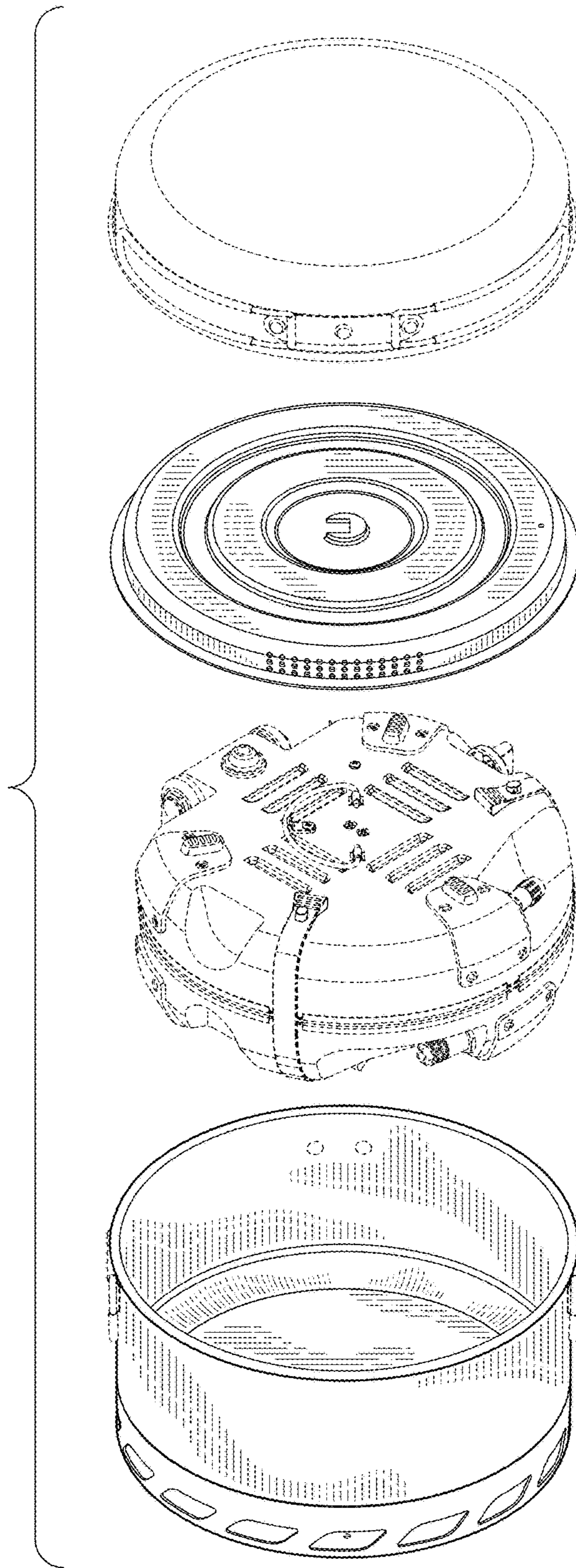


FIG. 18

UNITED STATES PATENT AND TRADEMARK OFFICE
CERTIFICATE OF CORRECTION

PATENT NO. : D793,796 S
APPLICATION NO. : 29/529214
DATED : August 8, 2017
INVENTOR(S) : Michael E. Hebert, Jr. et al.

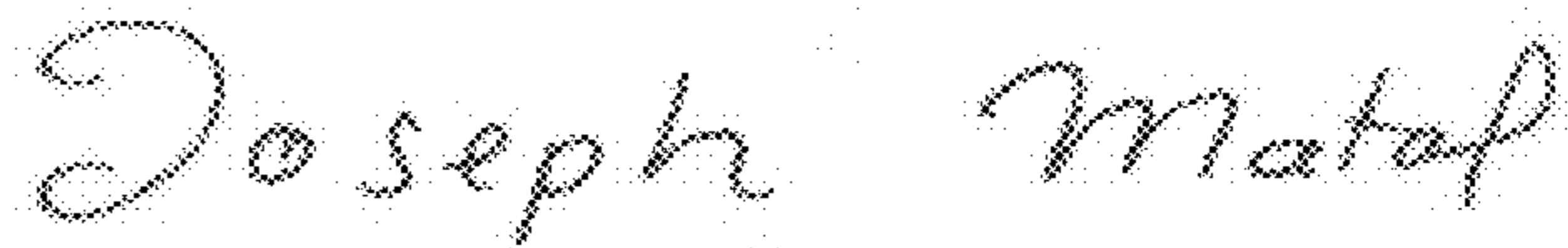
Page 1 of 14

It is certified that error appears in the above-identified patent and that said Letters Patent is hereby corrected as shown below:

Delete the title page and substitute with the attached title page showing the corrected number of drawing sheets in patent.

Delete Drawing Sheets 1-13 and substitute with the attached drawing sheets 1-12.

Signed and Sealed this
Seventh Day of November, 2017



Joseph Matal

*Performing the Functions and Duties of the
Under Secretary of Commerce for Intellectual Property and
Director of the United States Patent and Trademark Office*

(12) **United States Design Patent** (10) **Patent No.:** **US D793,796 S**
Hebert, Jr. et al. (45) **Date of Patent:** **** Aug. 8, 2017**

(54) **MULTI-BURNER STOVE SYSTEM**

DESCRIPTION

(71) Applicants: **Michael E. Hebert, Jr.**, Milford, NH (US); **Adam E. Wilcox**, Candia, NH (US); **Jeffrey M. Megivern**, Manchester, NH (US)

(72) Inventors: **Michael E. Hebert, Jr.**, Milford, NH (US); **Adam E. Wilcox**, Candia, NH (US); **Jeffrey M. Megivern**, Manchester, NH (US)

(73) Assignee: **Johnson Outdoors Inc.**, Racine, WI (US)

(**) Term: **15 Years**

(21) Appl. No.: **29/529,214**

(22) Filed: **Jun. 4, 2015**

(51) **LOC (10) Cl.** **07-02**

(52) **U.S. Cl.**
 USPC **D7/354**

(58) **Field of Classification Search**
 USPC D7/332-337, 402, 323, 327, 339-341, D7/403, 354 356, 359 361; D34/12, 17, D34/19, 20; D23/286

(Continued)

(56) **References Cited**

U.S. PATENT DOCUMENTS

101,621 A * 4/1870 Hulbert A47J 37/0763
 126/26

189,787 A 4/1877 Rothschild, Jr.
 (Continued)

Primary Examiner — Susan Bennett Hattan
Assistant Examiner — Brett Miller

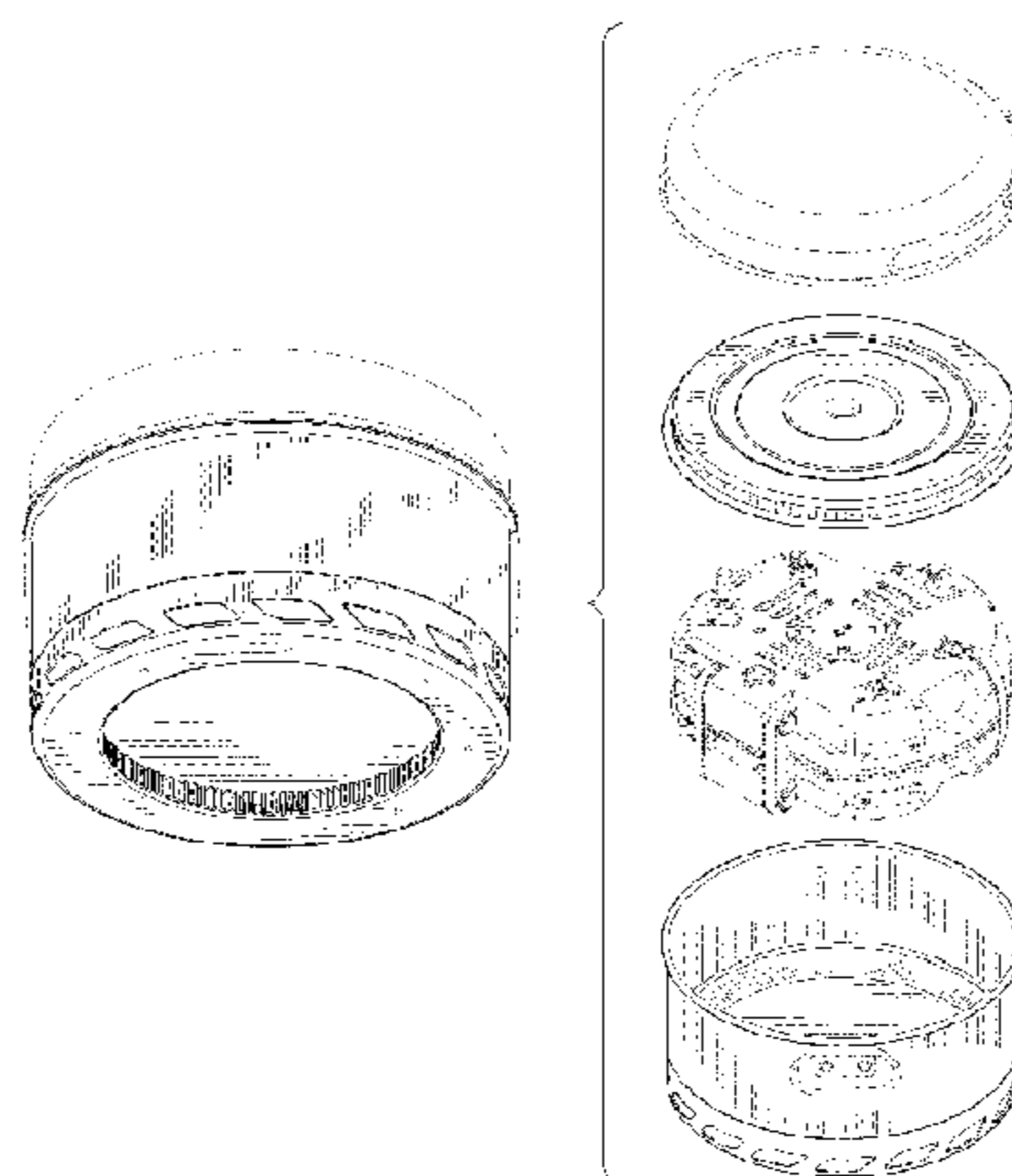
(74) *Attorney, Agent, or Firm* — Reinhart Boerner Van Deuren P.C.

(57) **CLAIM**

We claim the ornamental design for the multi-burner stove system, as shown and described.

FIG. 1 is a perspective view of the multi-burner stove system showing a top, front and right side thereof;
 FIG. 2 is another perspective view, showing the top, front, and left side view thereof;
 FIG. 3 is another perspective view, showing a bottom, front, and right side view thereof;
 FIG. 4 is another perspective view, showing the bottom, front, and left side view thereof;
 FIG. 5 is another perspective view, showing the bottom and front view thereof;
 FIG. 6 is another perspective view, showing the bottom and back view thereof;
 FIG. 7 is a front view thereof;
 FIG. 8 is a left side view thereof;
 FIG. 9 is a right side view thereof showing the side opposite that shown in FIG. 8;
 FIG. 10 is a back view thereof;
 FIG. 11 is a top view thereof;
 FIG. 12 is a bottom view thereof;
 FIG. 13 is an exploded perspective view of the multi-burner stove system, showing the top and right side view thereof;
 FIG. 14 is another exploded perspective view, showing the bottom and right side view thereof;
 FIG. 15 is another exploded perspective view, showing the bottom and left side view thereof;
 FIG. 16 is another exploded perspective view, showing the top and left side view thereof;
 FIG. 17 is another exploded perspective view, showing the top and back view thereof; and,
 FIG. 18 is another exploded perspective view, showing the top and front view thereof.
 The broken lines shown depict unclaimed portions of the multi-burner stove system, and features shown in broken lines form no part of the claimed design.

1 Claim, 12 Drawing Sheets



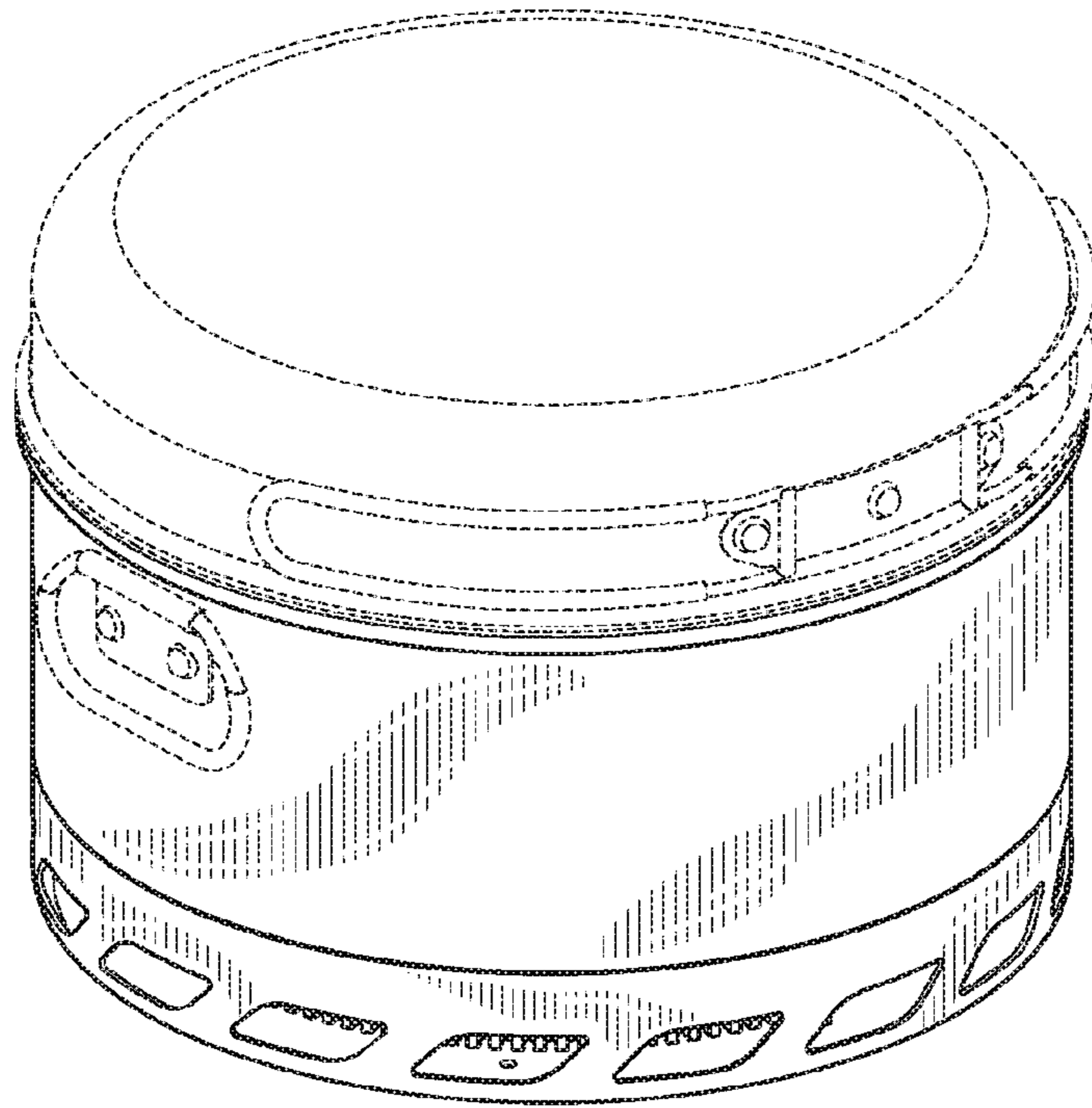


FIG. 1

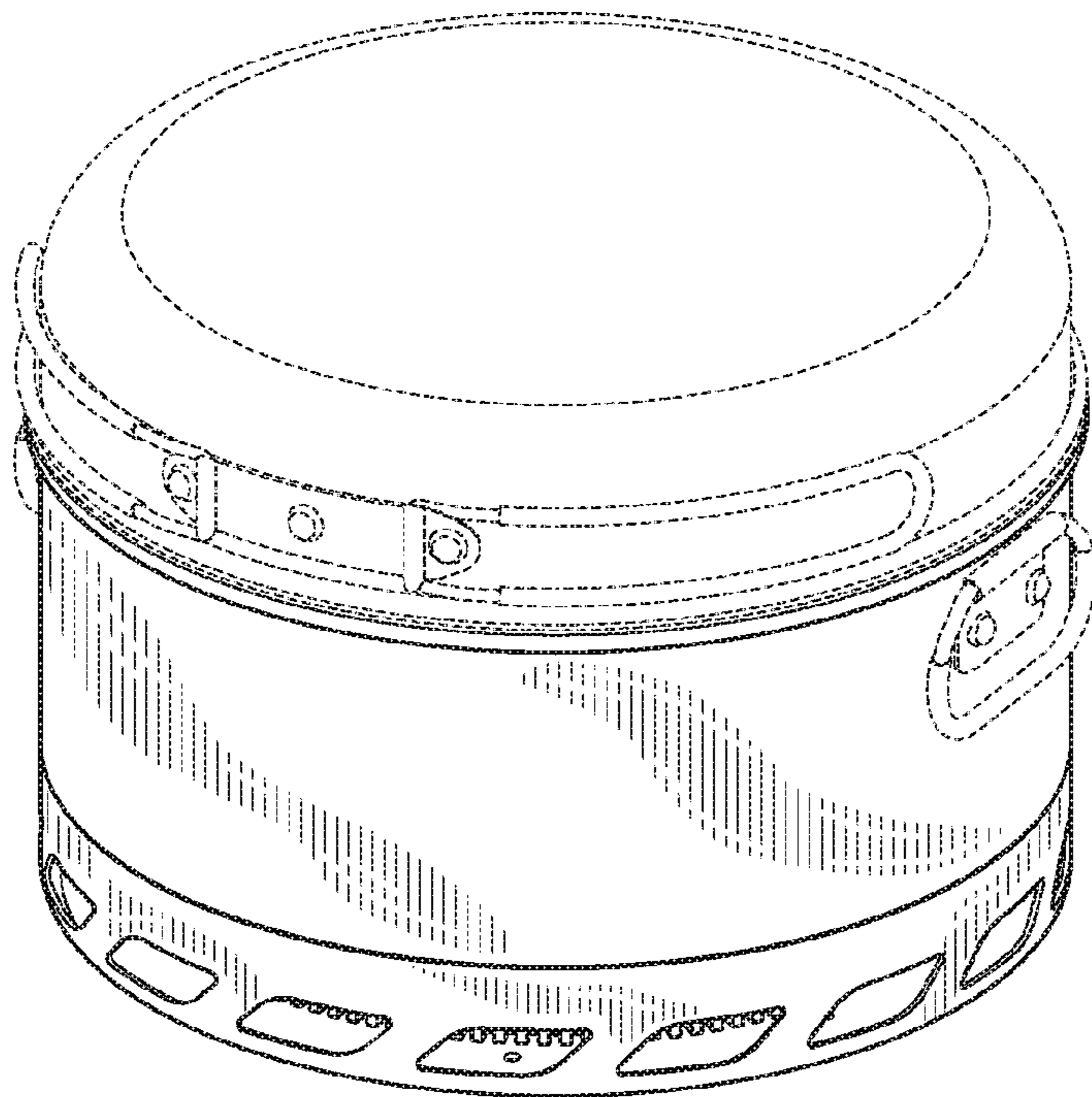


FIG. 2

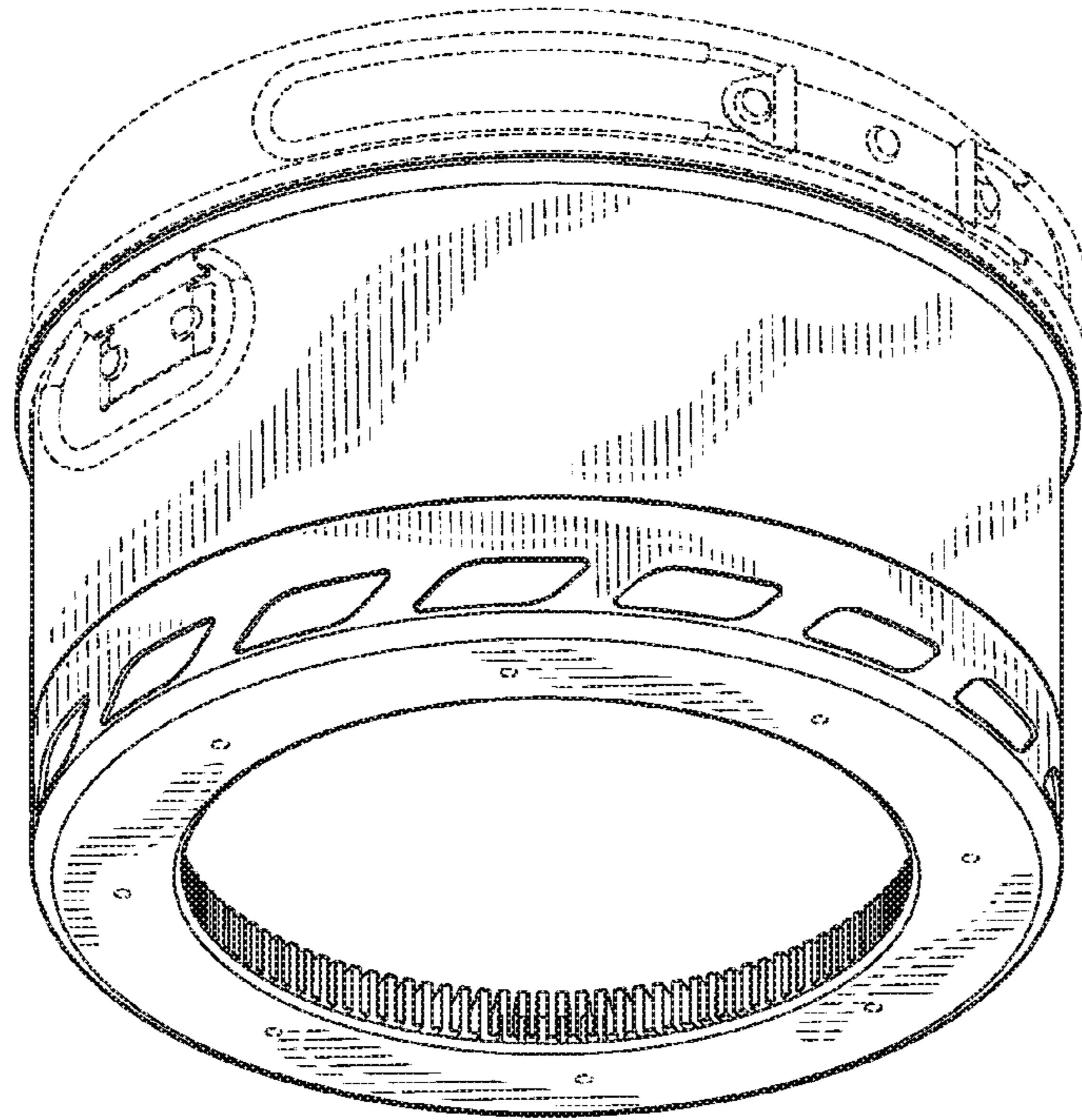


FIG. 3

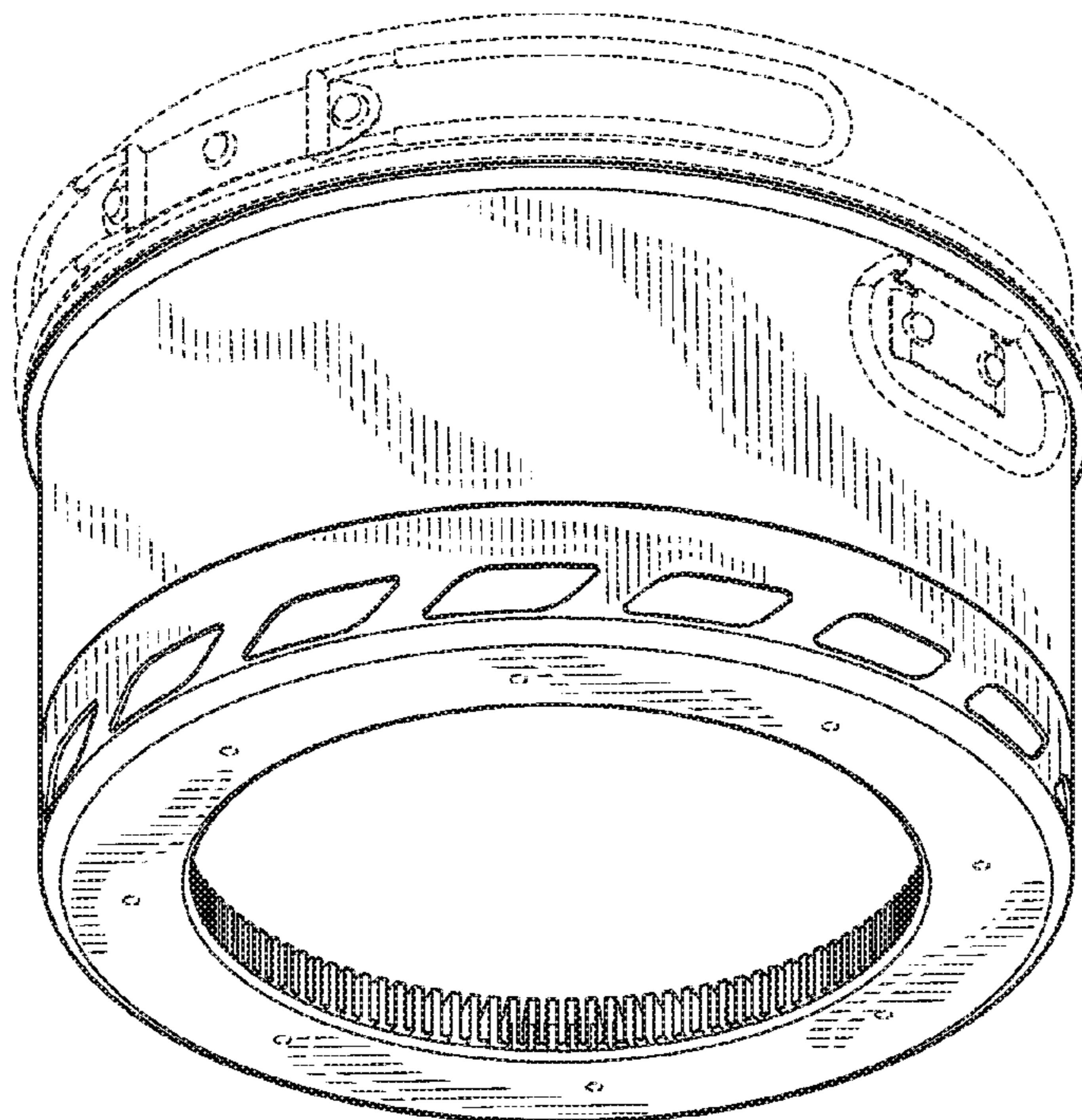


FIG. 4

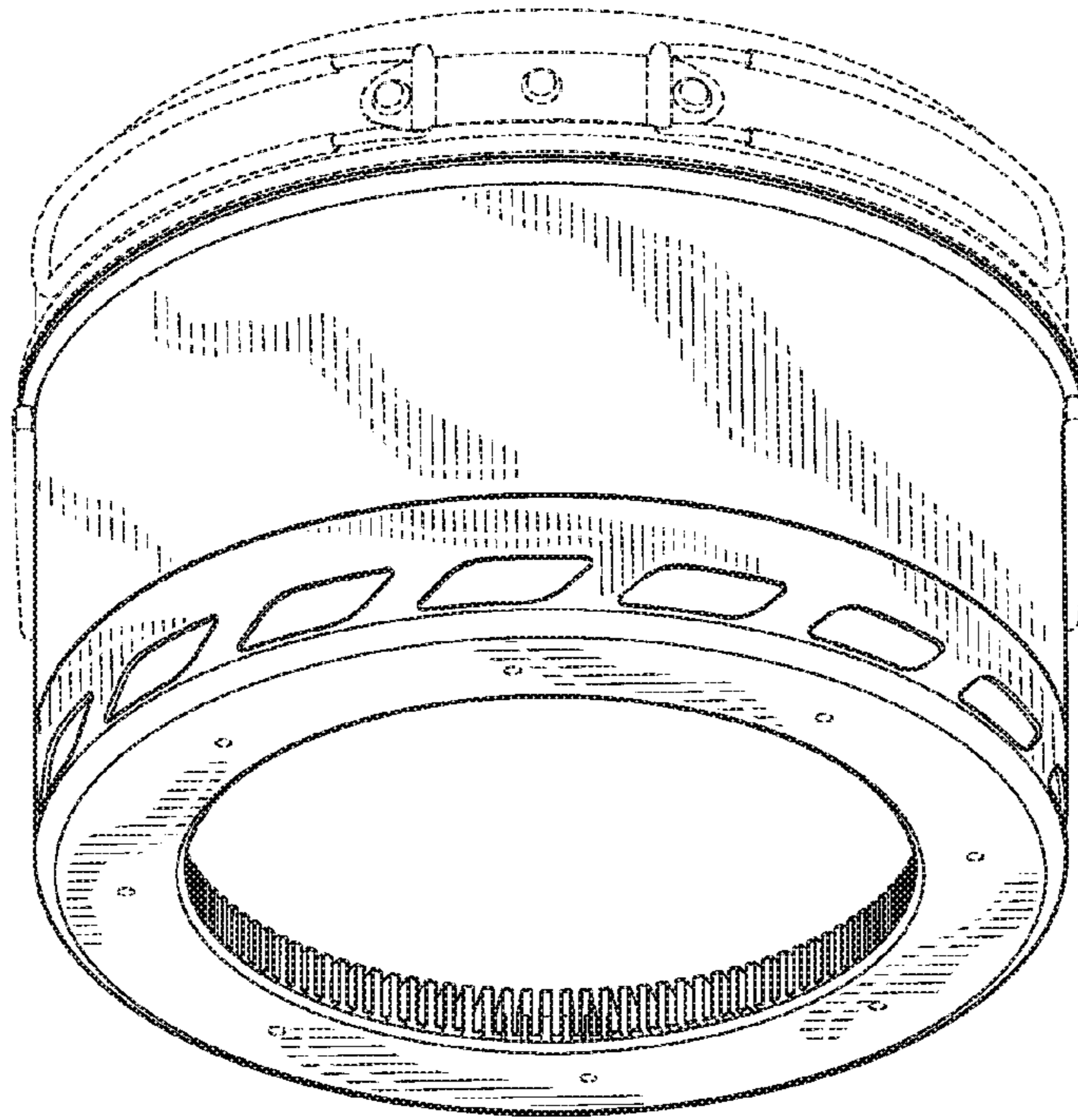


FIG. 5

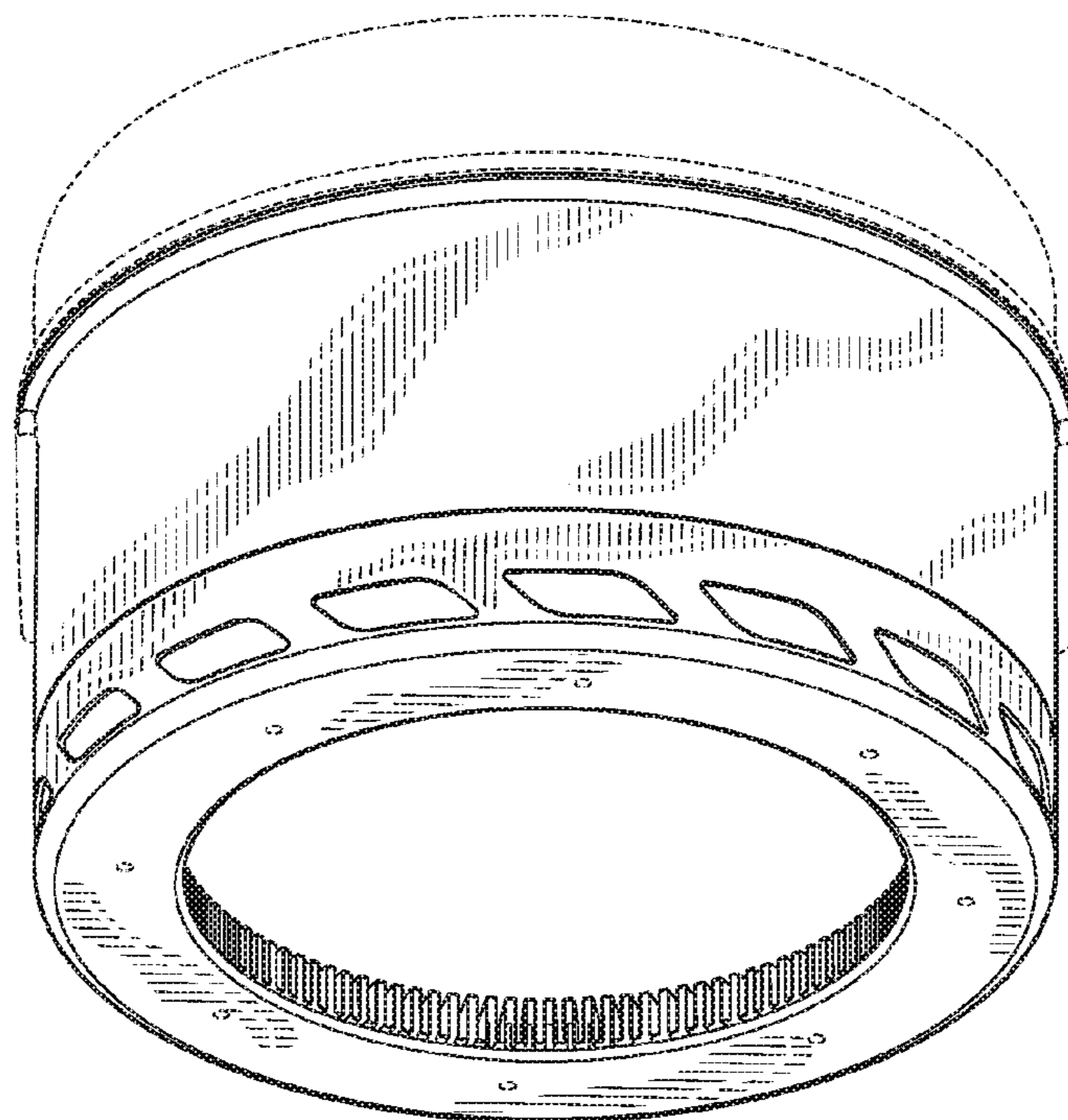


FIG. 6

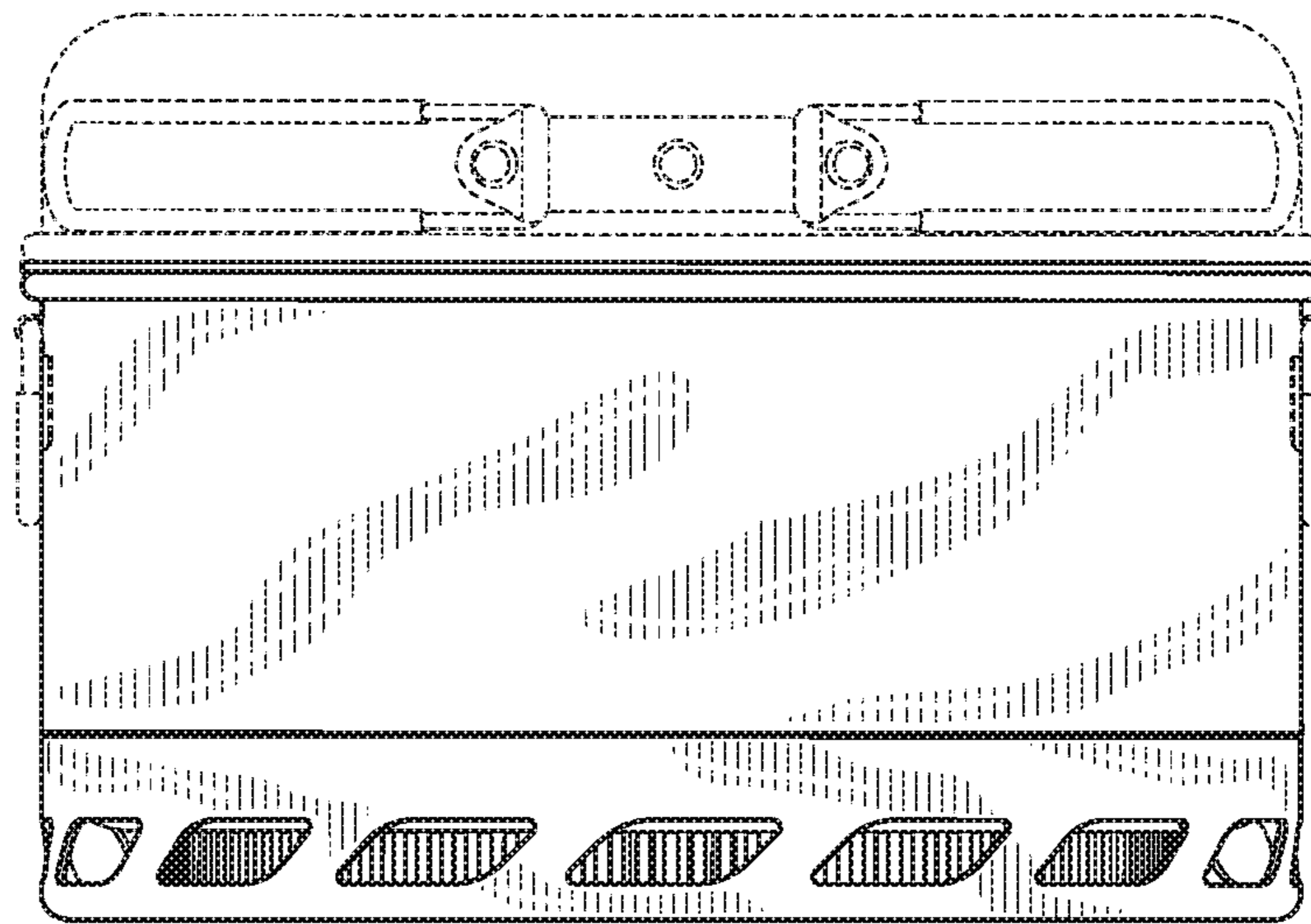


FIG. 7

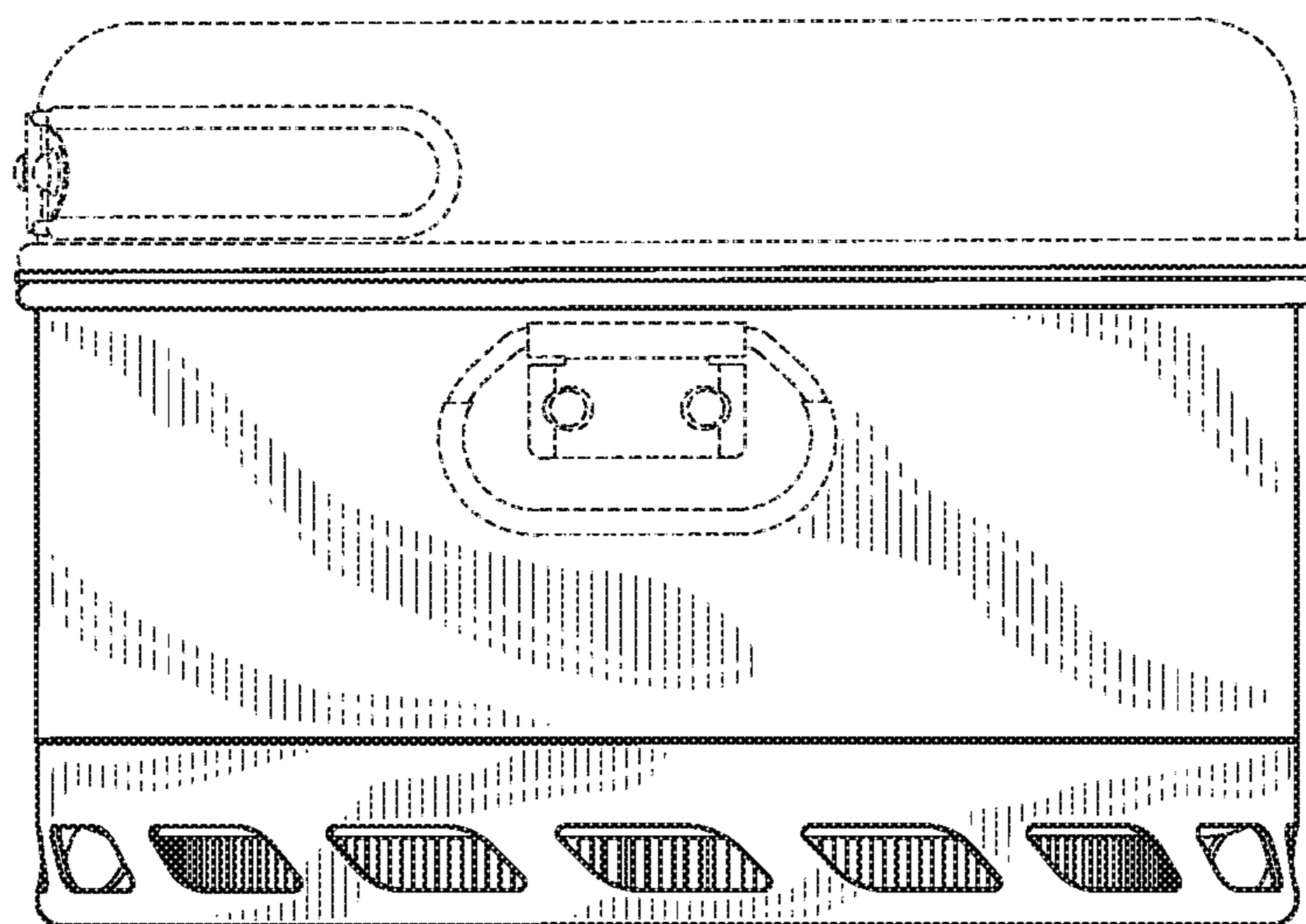


FIG. 8

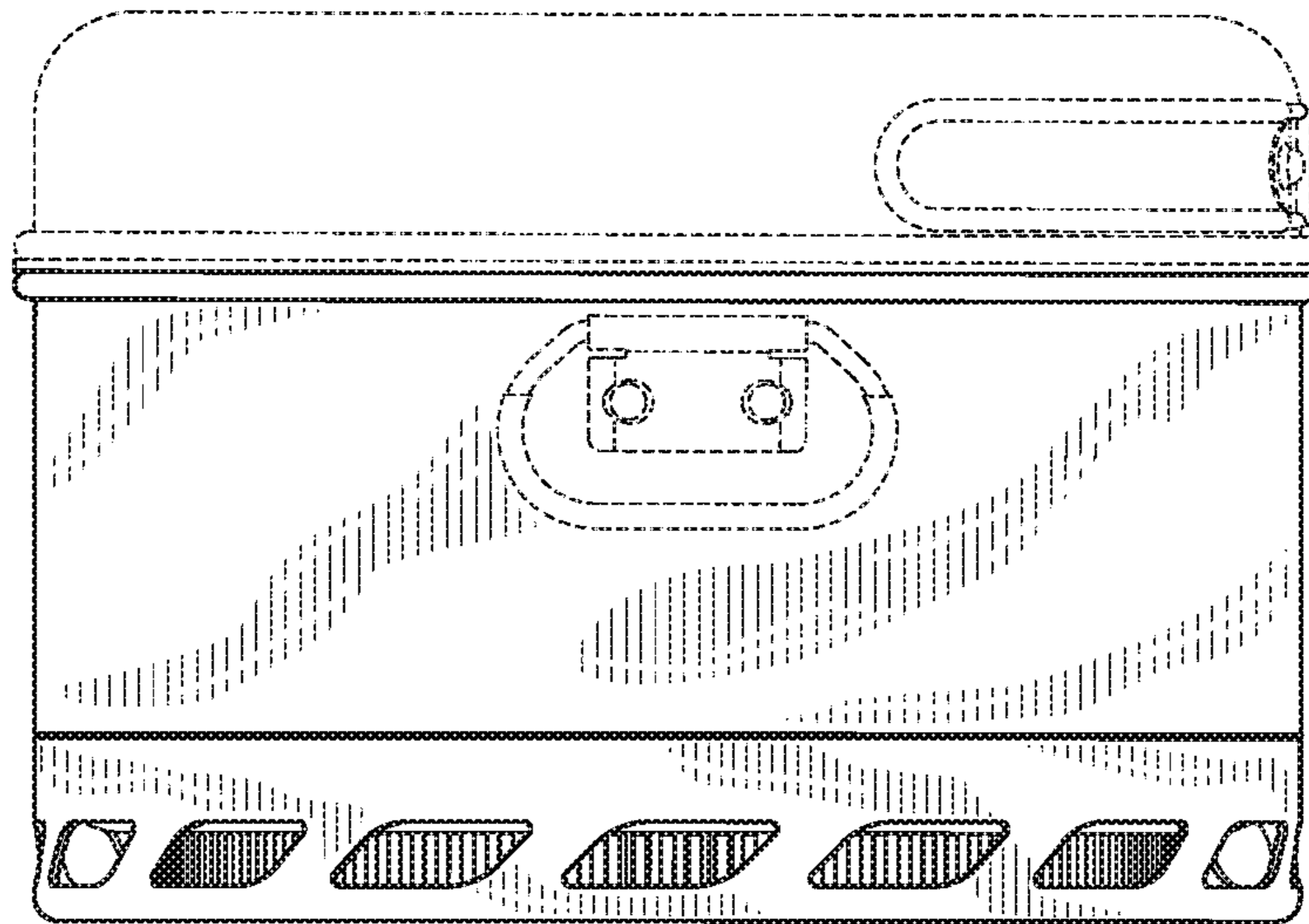


FIG. 9

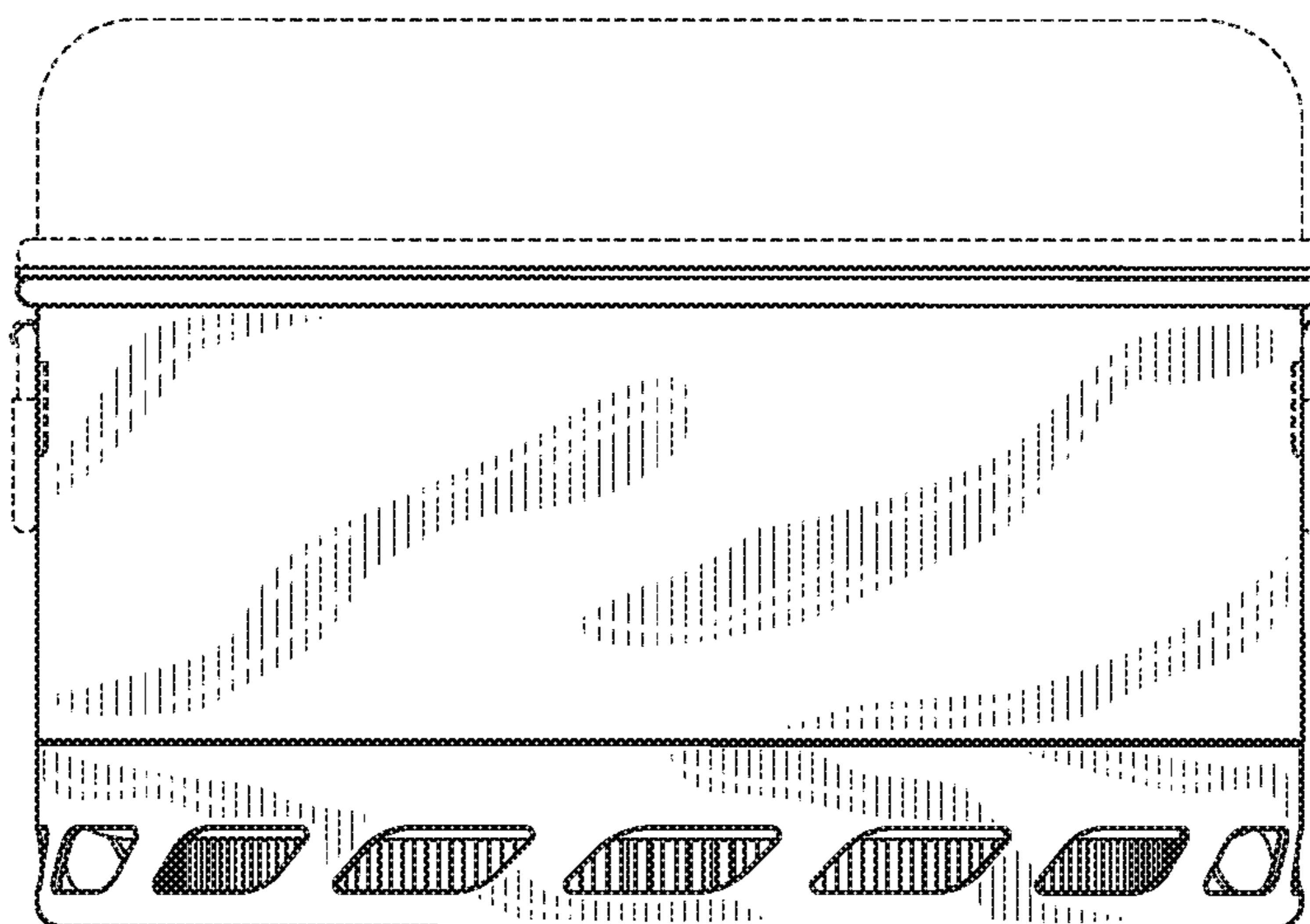


FIG. 10

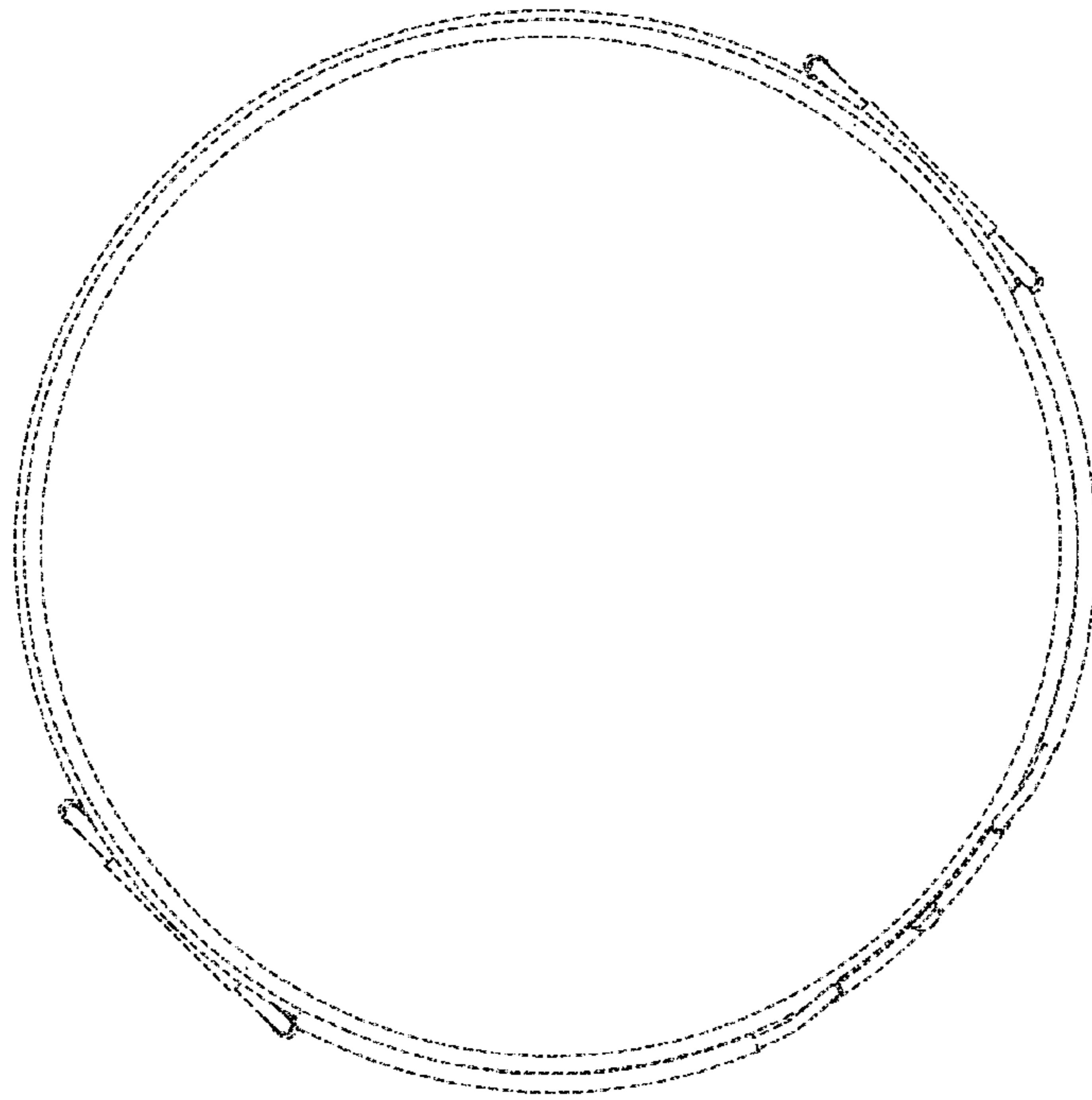


FIG. 11

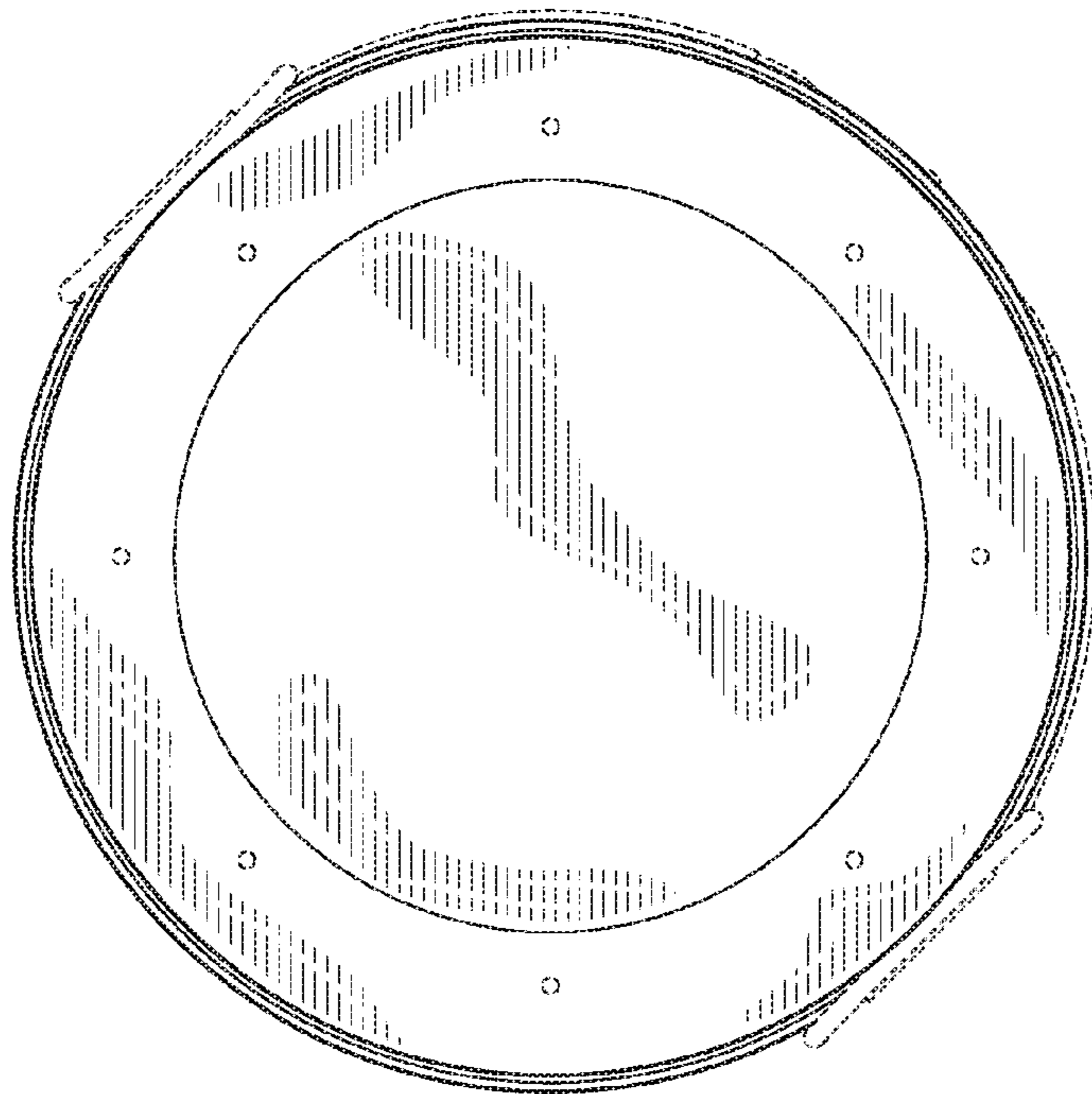


FIG. 12

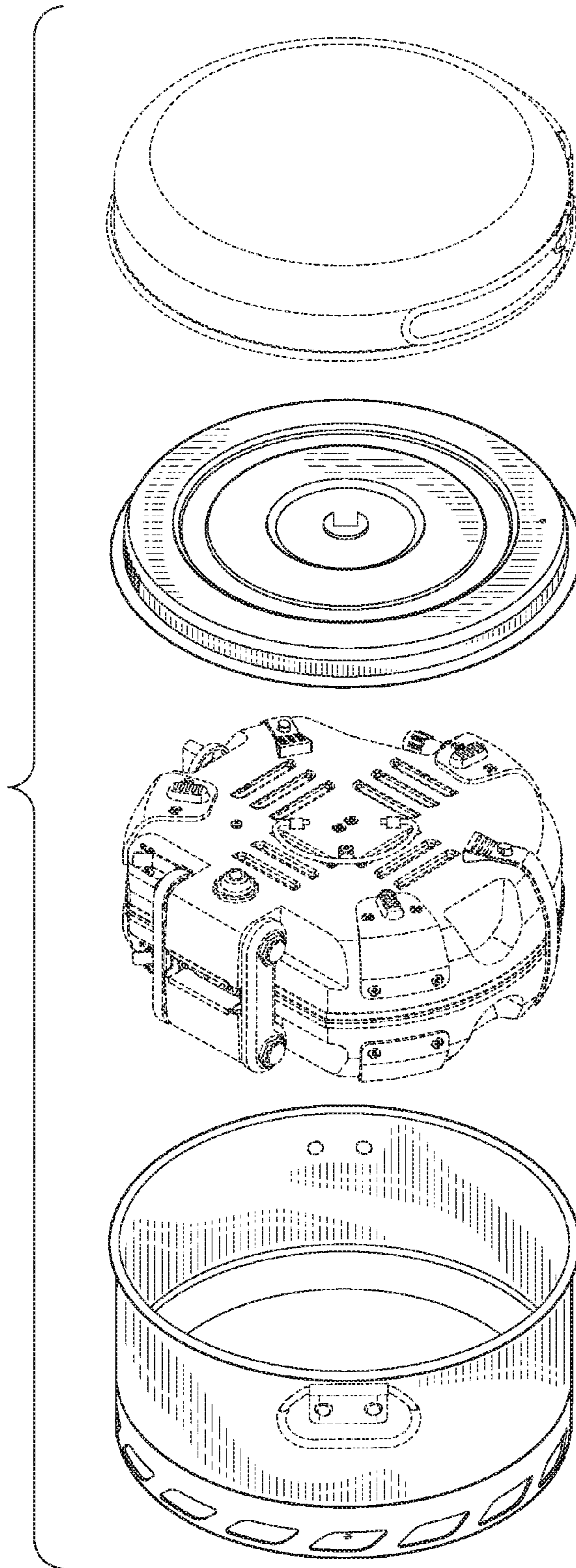


FIG. 13

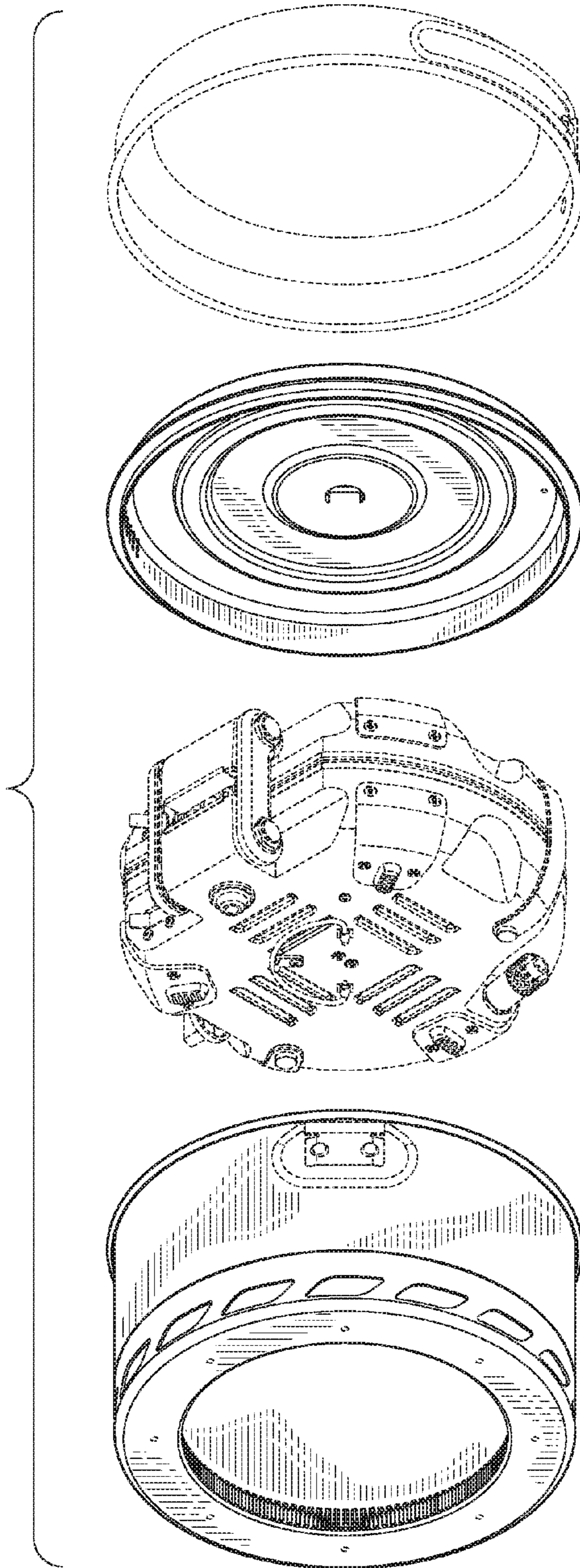


FIG. 14

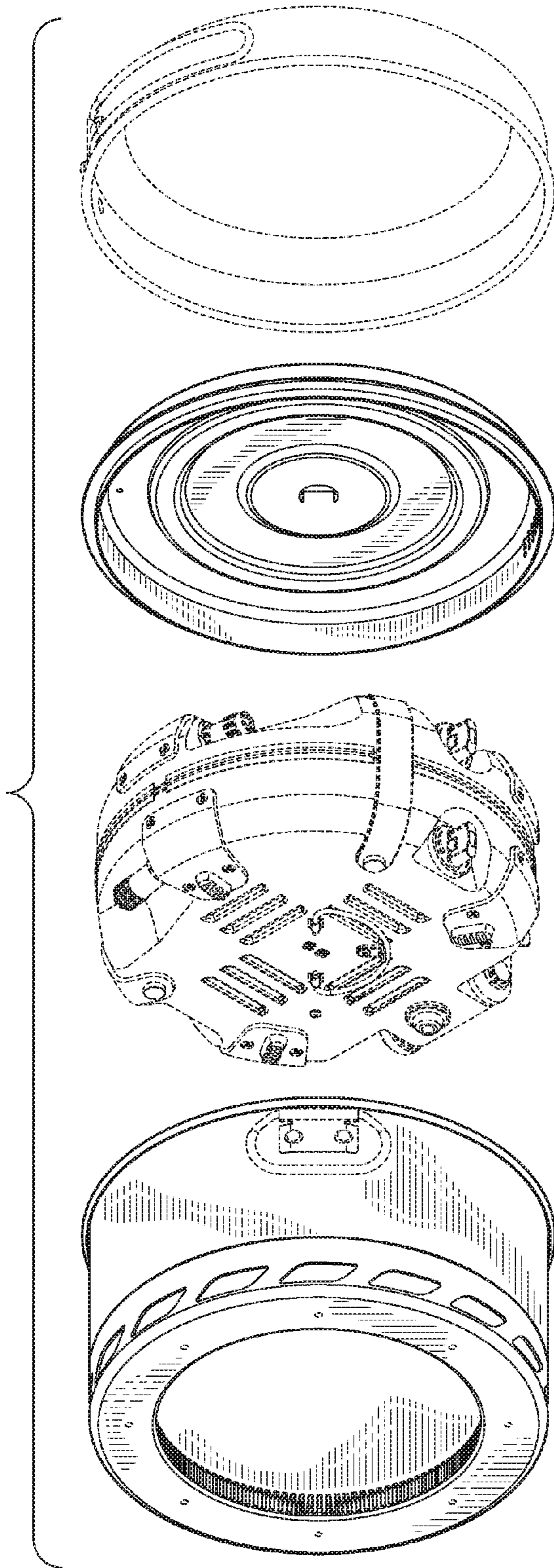


FIG. 15

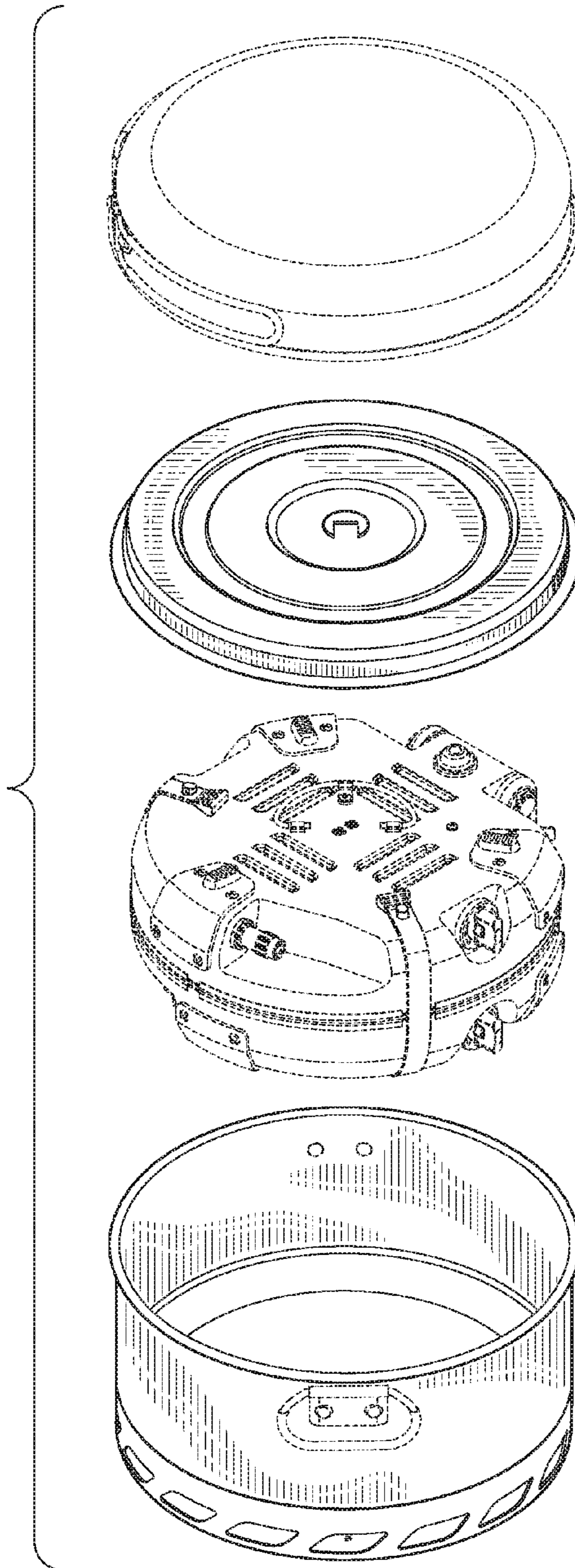


FIG. 16

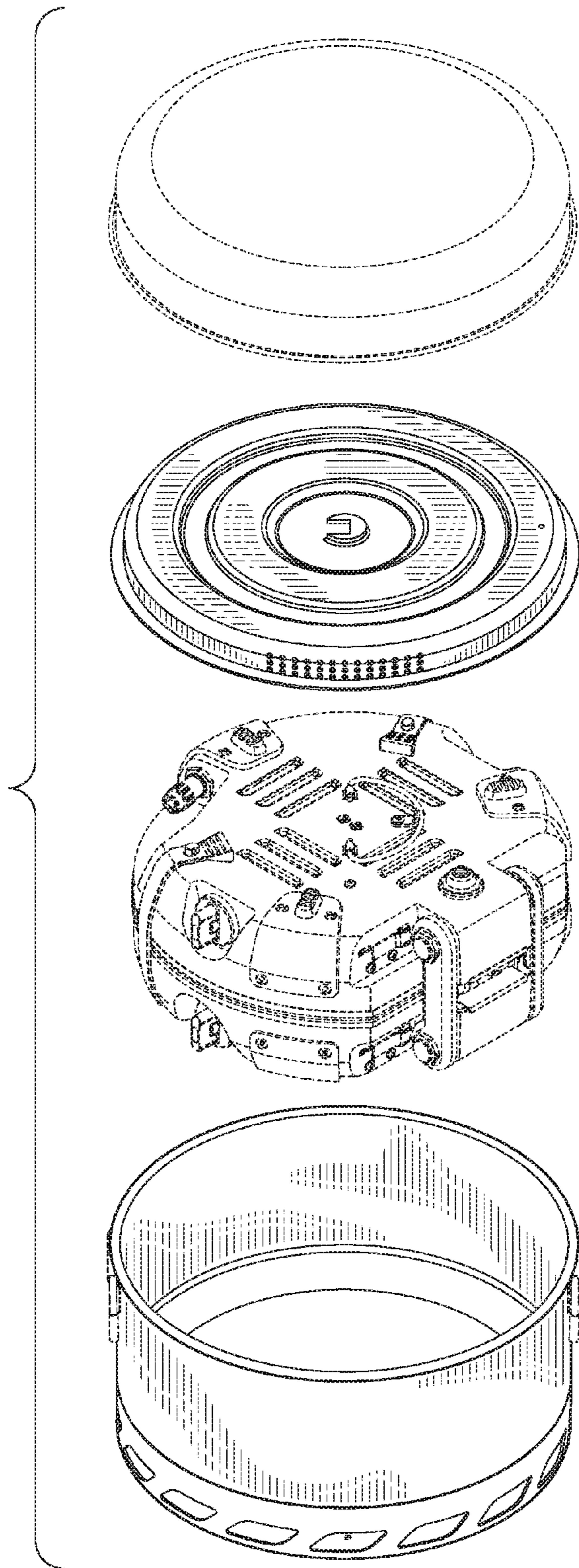


FIG. 17

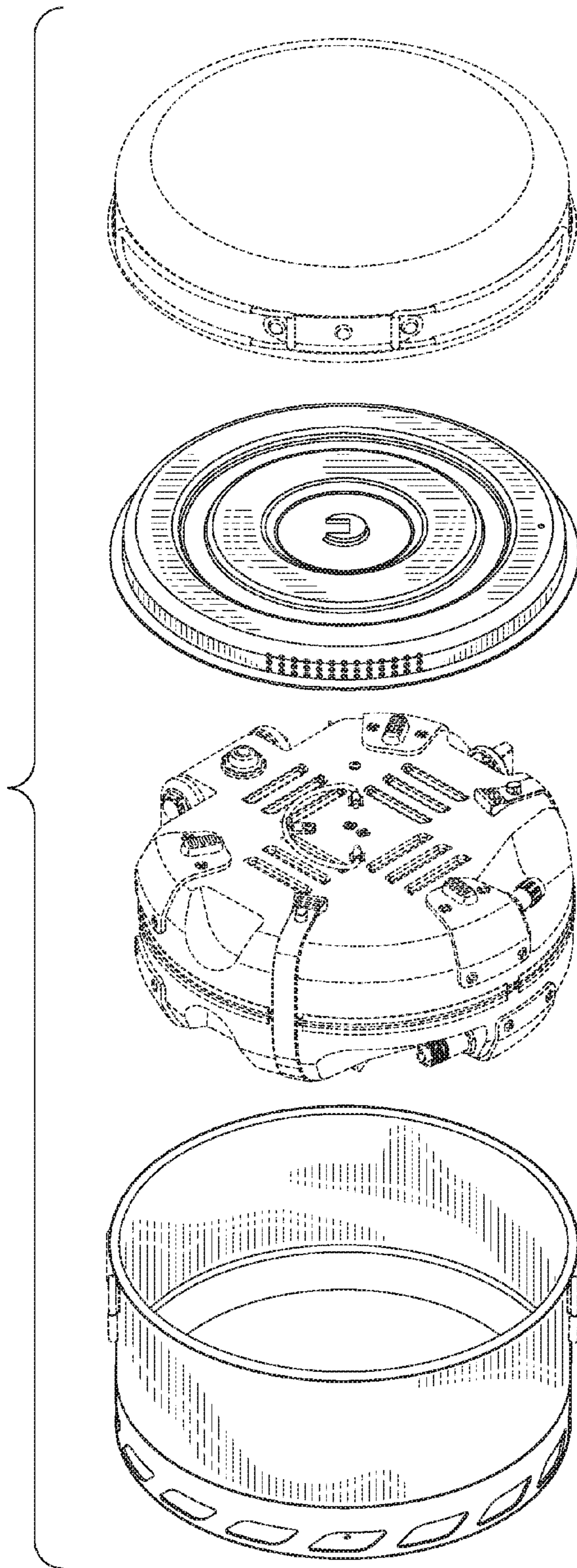


FIG. 18