



US00D793794S

(12) **United States Design Patent** (10) **Patent No.:** **US D793,794 S**  
**Hebert, Jr. et al.** (45) **Date of Patent:** **\*\* Aug. 8, 2017**

(54) **FOLDING MULTI-BURNER STOVE**

(71) Applicants: **Michael E. Hebert, Jr.**, Milford, NH (US); **Adam E. Wilcox**, Candia, NH (US); **Jeffrey M. Megivern**, Manchester, NH (US)

(72) Inventors: **Michael E. Hebert, Jr.**, Milford, NH (US); **Adam E. Wilcox**, Candia, NH (US); **Jeffrey M. Megivern**, Manchester, NH (US)

(73) Assignee: **Johnson Outdoors Inc.**, Racine, WI (US)

(\*\*) Term: **15 Years**

(21) Appl. No.: **29/529,226**

(22) Filed: **Jun. 4, 2015**

(51) **LOC (10) Cl.** ..... **07-02**

(52) **U.S. Cl.**  
USPC ..... **D7/337**

(58) **Field of Classification Search**  
USPC ..... D7/332-337, 402, 323, 327, 339-341, D7/403, 347, 348, 350.1, 407, 362, 352,  
(Continued)

(56) **References Cited**

**U.S. PATENT DOCUMENTS**

189,787 A 4/1877 Rothschild, Jr.  
D33,885 S \* 1/1901 Richmond ..... D7/367  
(Continued)

**OTHER PUBLICATIONS**

U.S. Appl. No. 14/730,790, filed Jun. 4, 2015, Hebert et al.  
U.S. Appl. No. 29/529,237, filed Jun. 4, 2015, Hebert et al.

*Primary Examiner* — Susan Bennett Hattan

*Assistant Examiner* — Brett Miller

(74) *Attorney, Agent, or Firm* — Reinhart Boerner Van Deuren P.C.

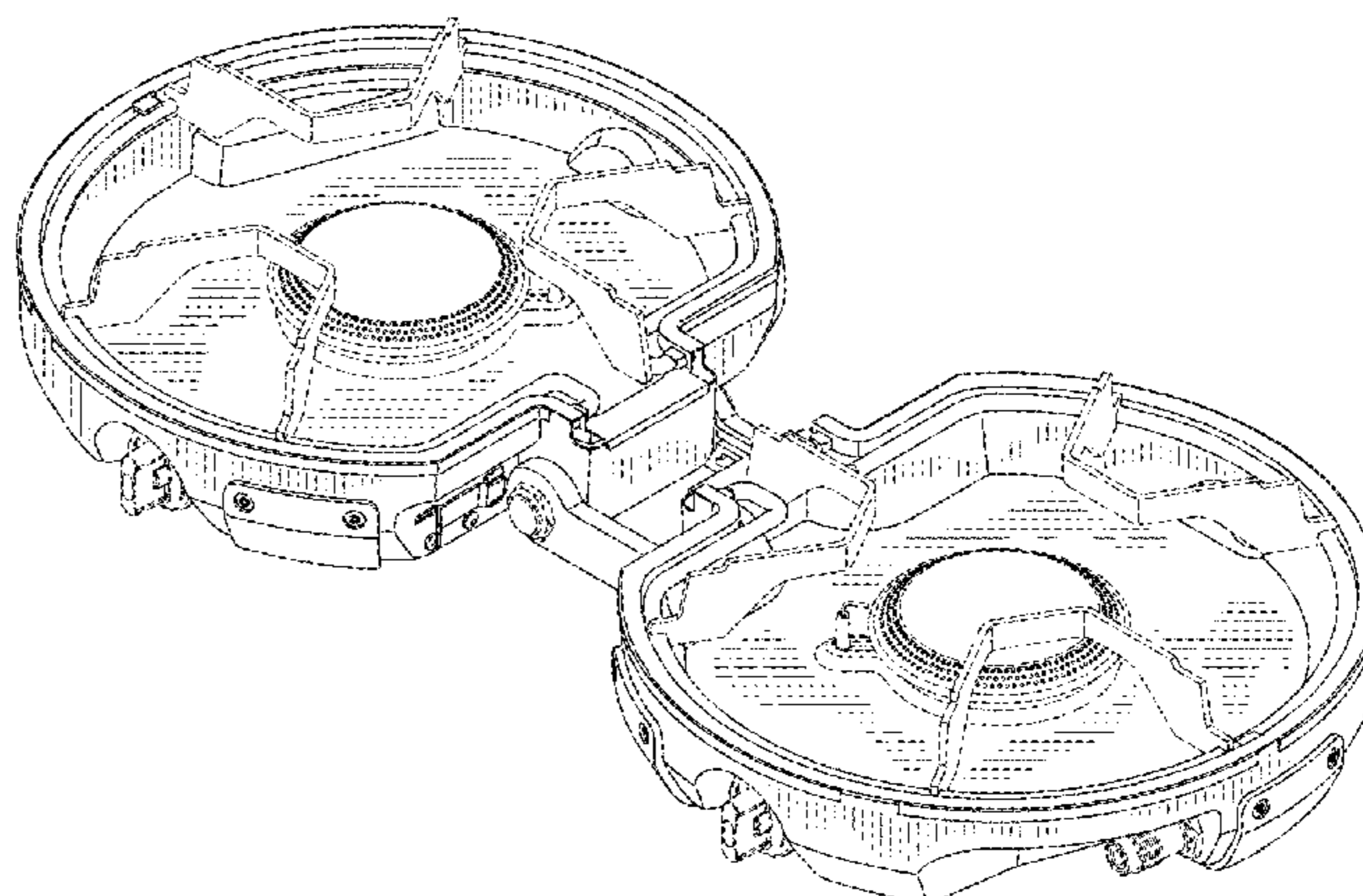
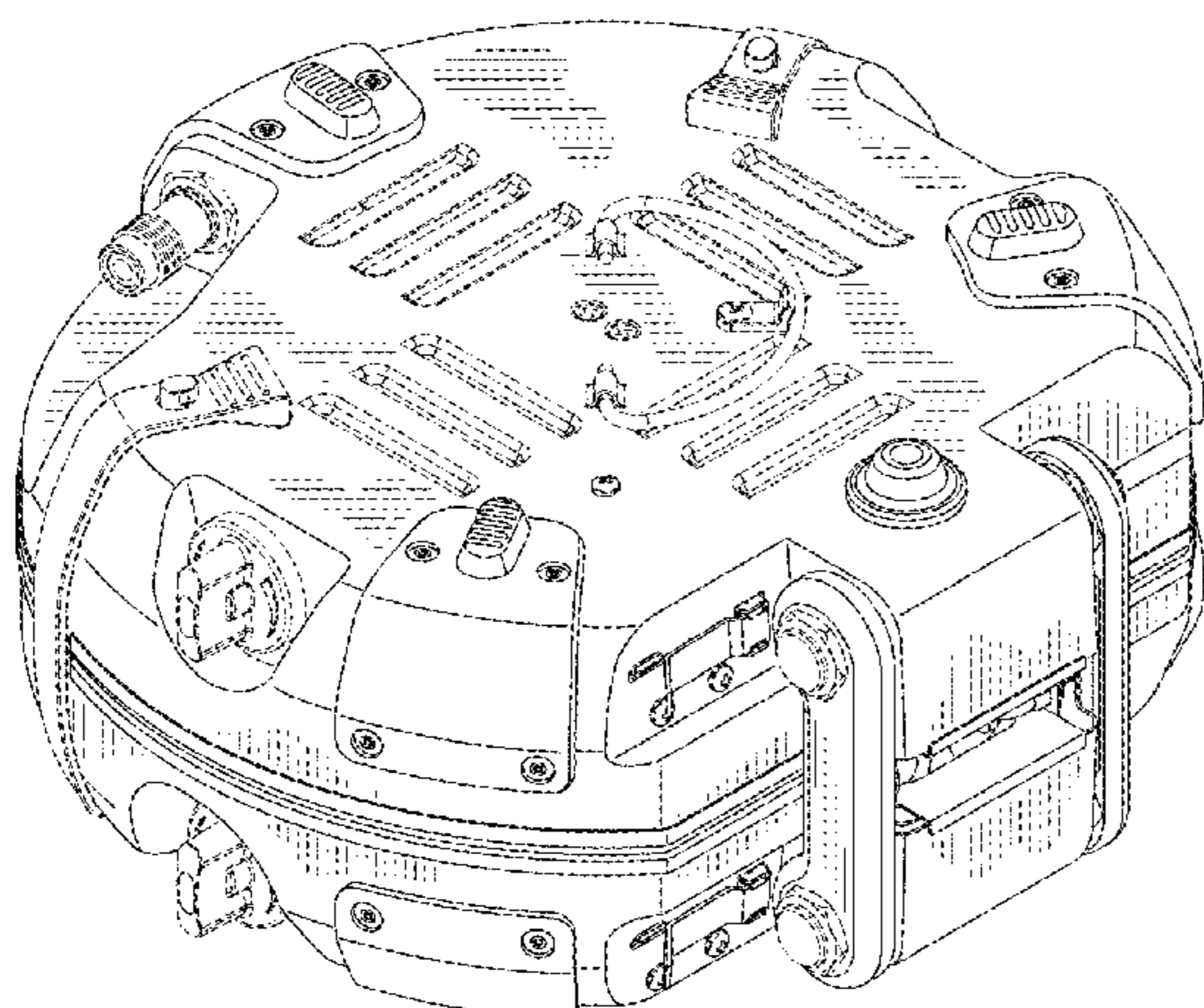
(57) **CLAIM**

We claim the ornamental design for the folding multi-burner stove, as shown and described.

**DESCRIPTION**

FIG. 1 is a perspective view of the folding multi-burner stove showing a top, back, and left side view thereof;  
FIG. 2 is another perspective view showing the front, top, and left side view thereof;  
FIG. 3 is another perspective view showing the back, left side, and bottom view thereof;  
FIG. 4 is another perspective view showing the front, left side, and bottom view thereof;  
FIG. 5 is another perspective view showing the front, right side, and top view thereof;  
FIG. 6 is the left side view thereof;  
FIG. 7 is the right view thereof showing the side opposite that shown in FIG. 6;  
FIG. 8 is a back view thereof;  
FIG. 9 is a front view;  
FIG. 10 is a top view thereof;  
FIG. 11 is a bottom view thereof;  
FIG. 12 is a perspective view of the folding multi-burner stove in an alternate configuration, showing a top and left side view thereof;  
FIG. 13 is another perspective view showing the top and right side view thereof;  
FIG. 14 is another perspective view showing the bottom and right side view thereof;  
FIG. 15 is another perspective view showing the bottom and left side view thereof;  
FIG. 16 is a left side view of the alternate configuration shown in FIG. 12;  
FIG. 17 is a right side view of the alternate configuration shown in FIG. 12 showing the side opposite that shown in FIG. 16;  
FIG. 18 is a back view of the alternate configuration shown in FIG. 12;  
FIG. 19 is a front view of the alternate configuration shown in FIG. 12;  
FIG. 20 is a top view of the alternate configuration shown in FIG. 12; and,  
FIG. 21 is a bottom view of the alternate configuration shown in FIG. 12.

(Continued)



The broken lines depict portions of the folding multi-burner stove that form no part of the claim.

**1 Claim, 11 Drawing Sheets**

(58) **Field of Classification Search**

USPC ..... D7/363, 367; D34/12, 17, 19, 20;  
D23/286  
CPC ..... A47J 37/0704; A47J 37/0786; A47J  
37/0763; A47J 37/0713; A47J 37/0781;  
A47J 2037/0777; A47J 33/00; F24C 3/14;  
F24C 7/10; F24C 15/18; F24C 15/12;  
F24C 5/20; F24B 1/207; F23D 14/06;  
F23D 14/26

See application file for complete search history.

(56) **References Cited**

U.S. PATENT DOCUMENTS

2,073,813 A \* 3/1937 Slezak ..... F24B 1/205  
126/9 R

2,278,734 A	4/1942	Perry	
3,140,740 A	7/1964	Lagreid et al.	
3,783,856 A	1/1974	Amos	
3,789,821 A	2/1974	Fick et al.	
4,954,075 A	9/1990	Francino	
D387,240 S *	12/1997	Simmonds .....	D7/332
5,860,410 A	1/1999	Hollingsworth, Jr.	
6,038,965 A	3/2000	Thorndyke	
6,202,640 B1	3/2001	Naperola et al.	
D439,801 S *	4/2001	Measom .....	D7/407
D522,306 S *	6/2006	Wilgus .....	D7/337
D570,639 S *	6/2008	Nardone .....	D7/332
D592,005 S *	5/2009	Richardson .....	D7/337
D618,506 S *	6/2010	Offredi .....	D7/407
7,806,138 B1	10/2010	Frantz	
D755,002 S *	5/2016	Garman .....	D7/352
2005/0268902 A1 *	12/2005	Mosher, II .....	F24C 3/14 126/9 R
2006/0185660 A1	8/2006	Sords	
2007/0087297 A1	4/2007	Long	
2009/0280447 A1	11/2009	Long	
2012/0125317 A1	5/2012	Caprathe	

\* cited by examiner

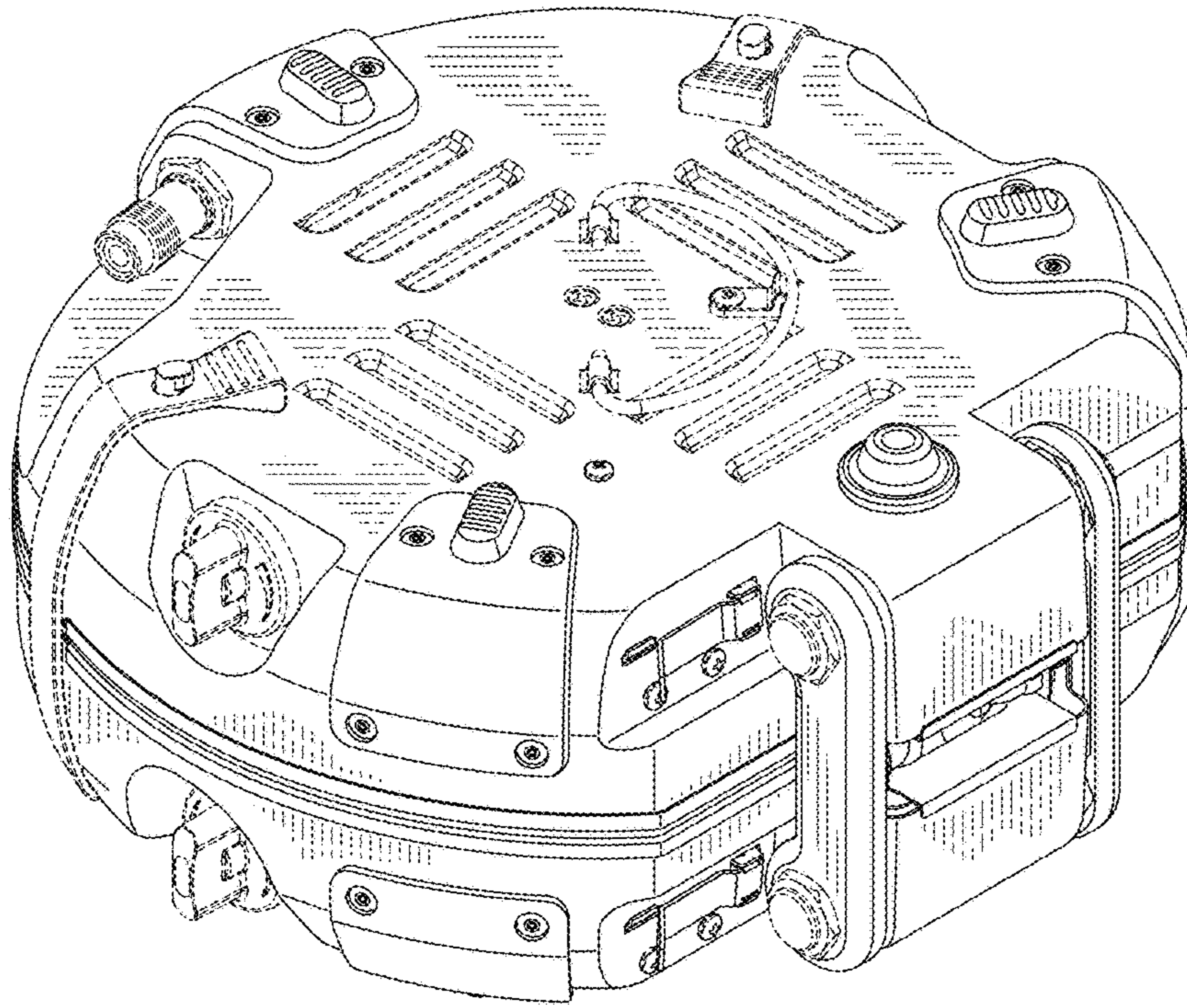


FIG. 1

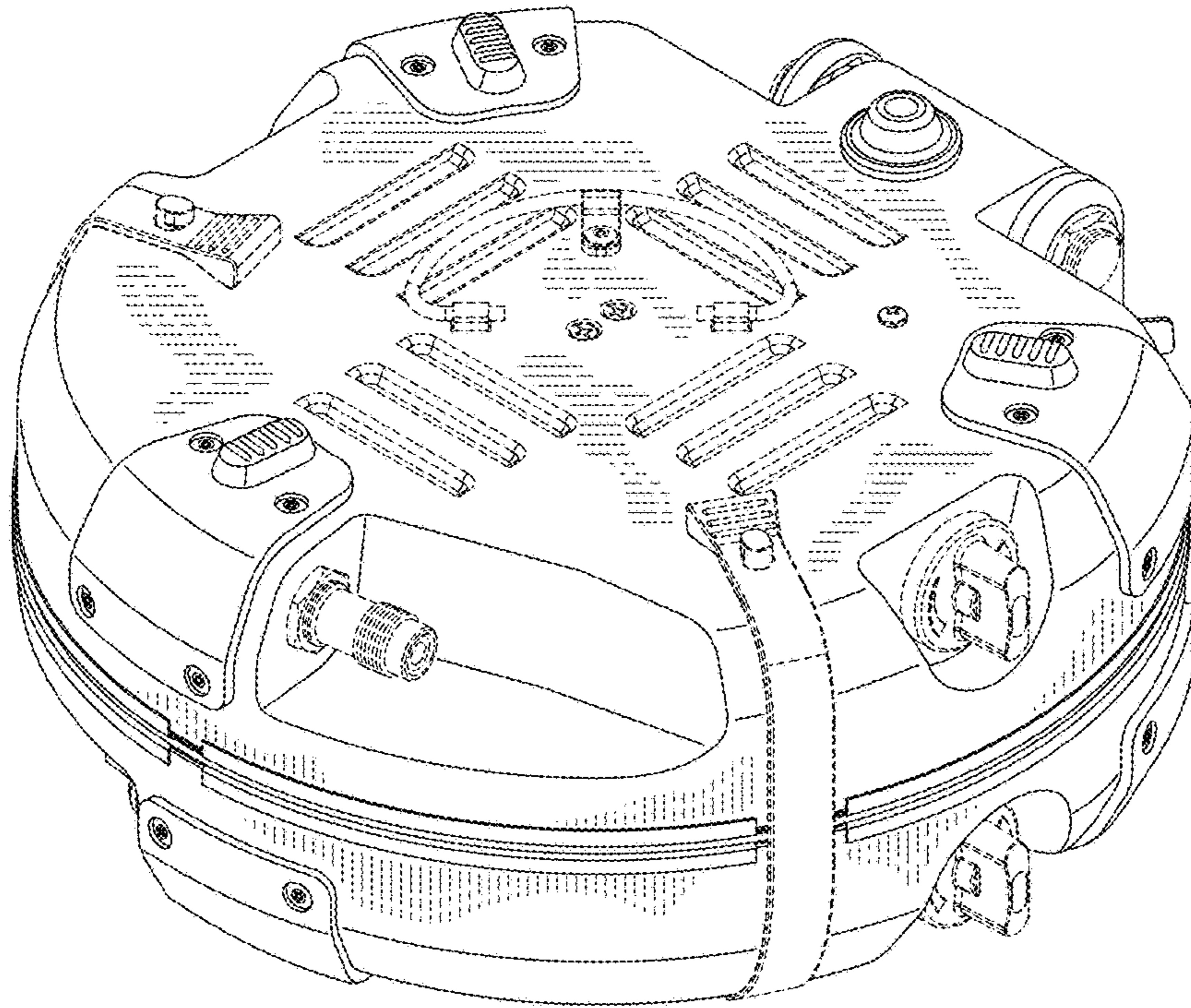


FIG. 2

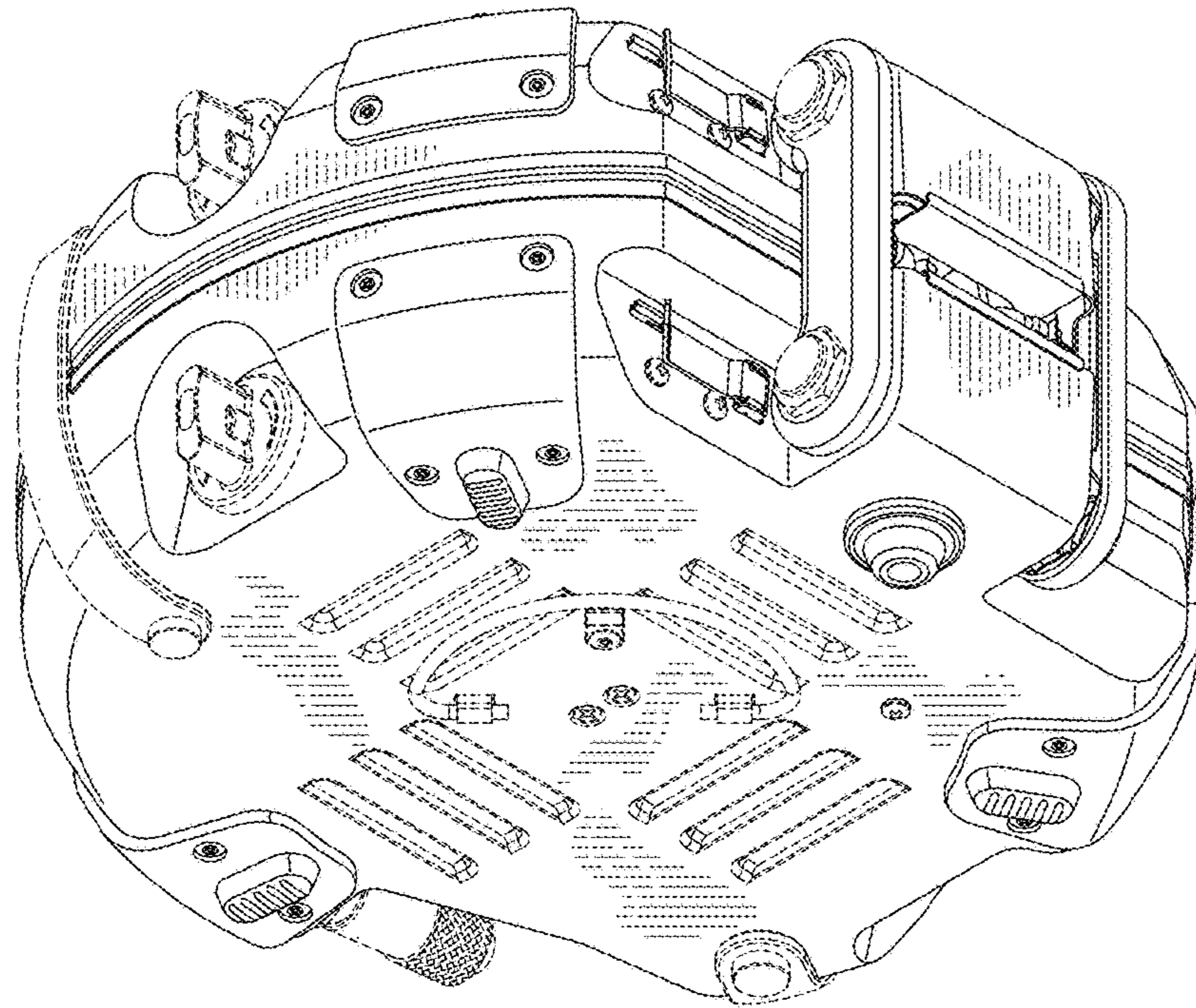


FIG. 3

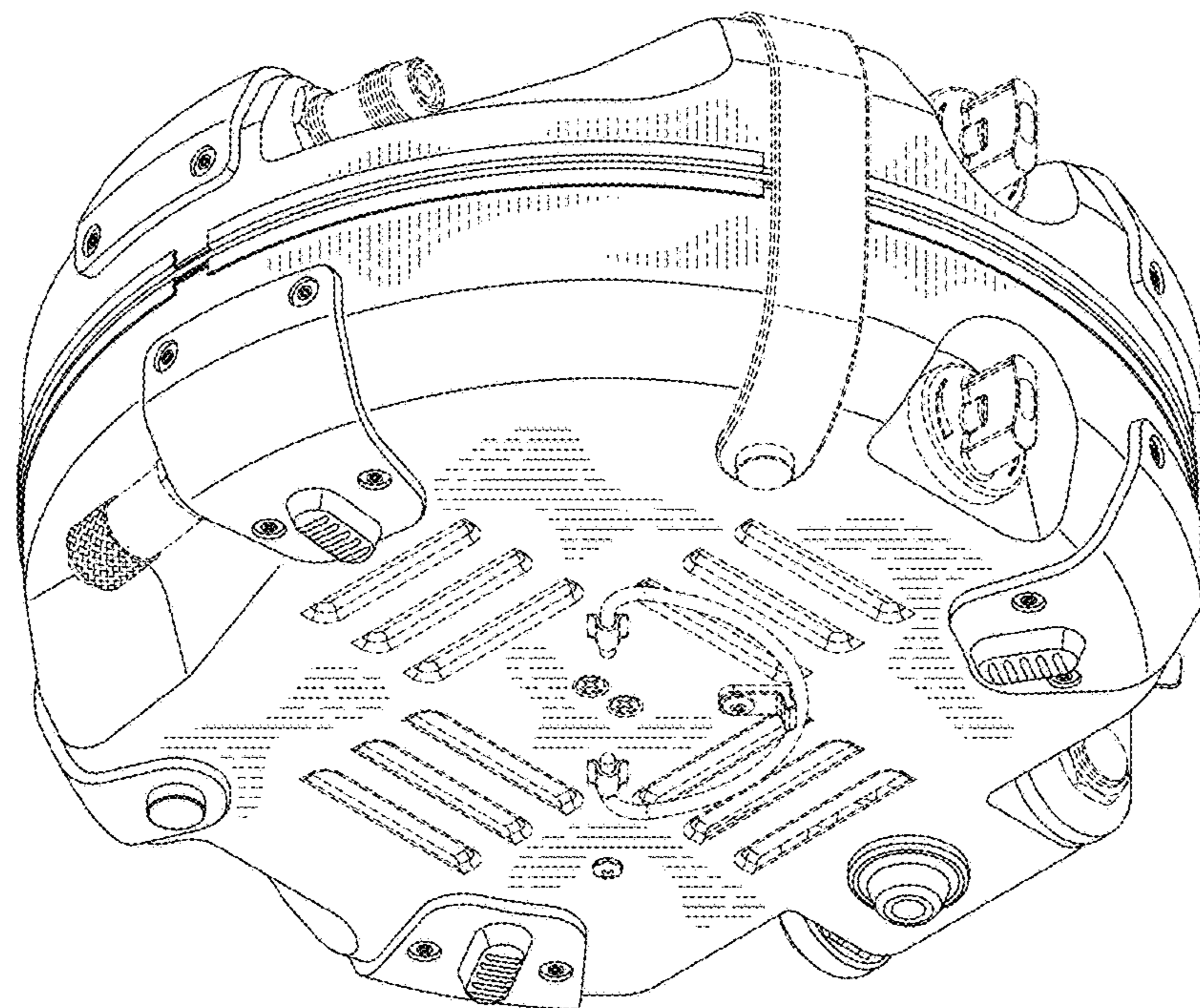


FIG. 4

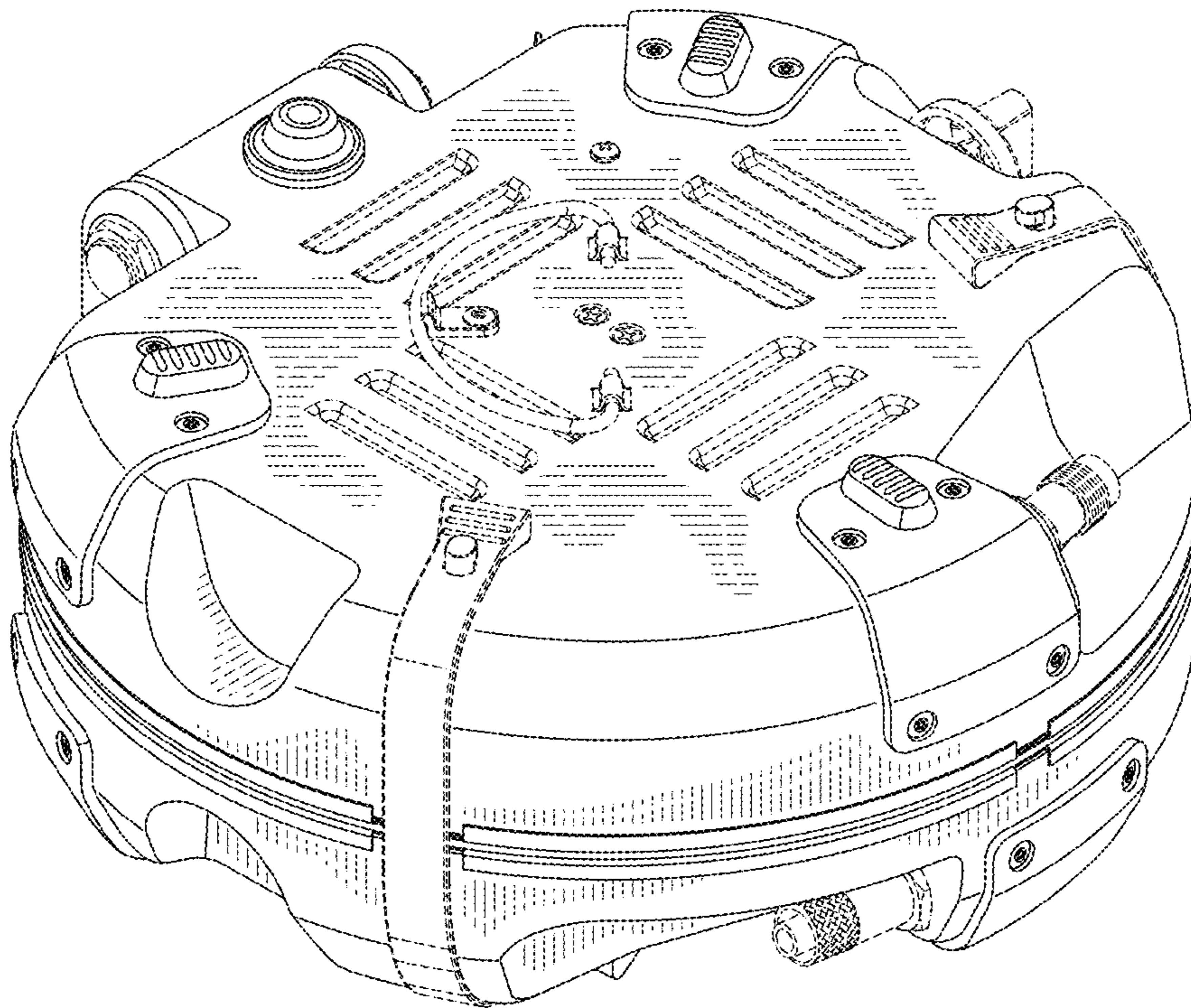


FIG. 5

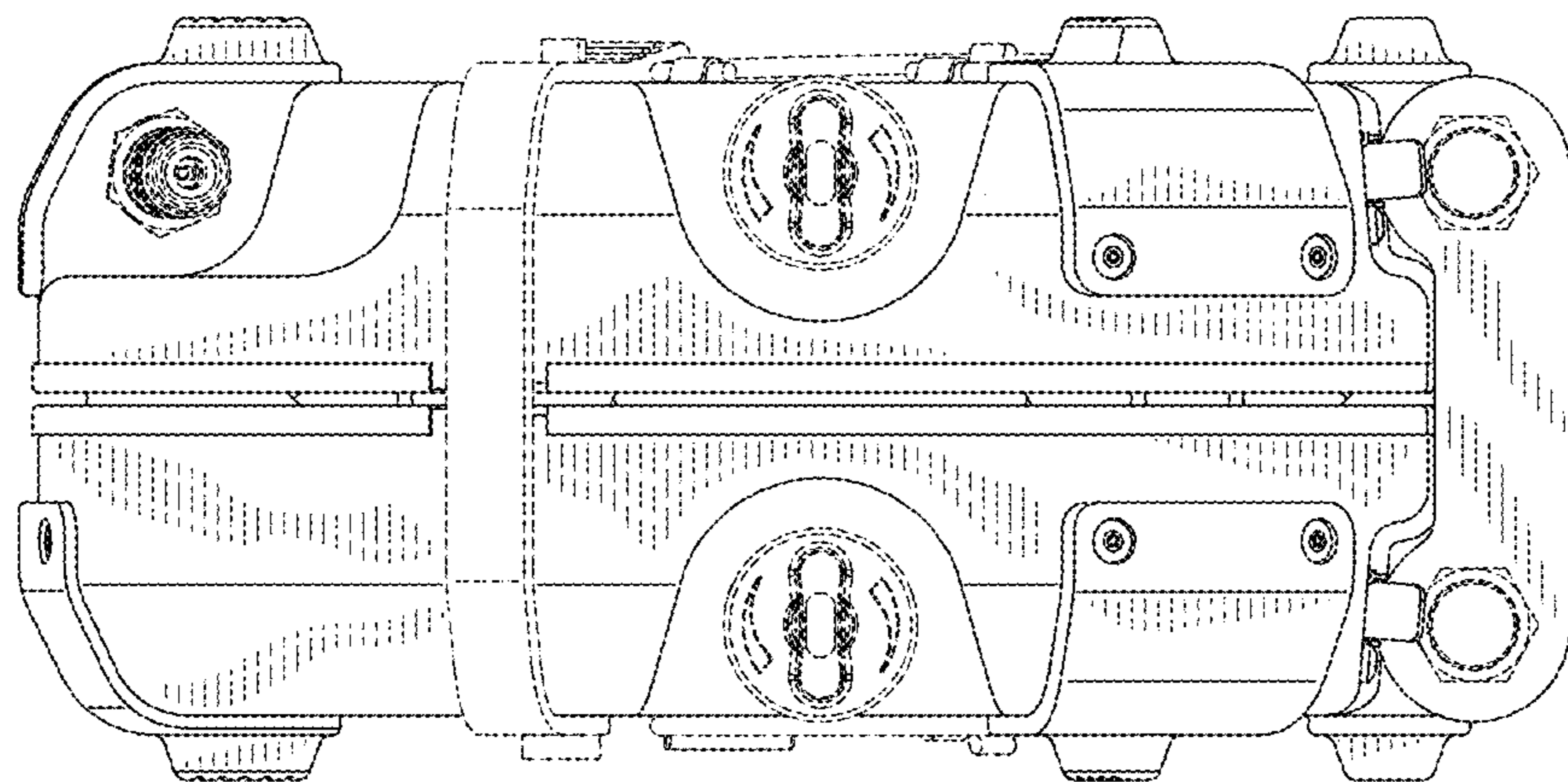


FIG. 6

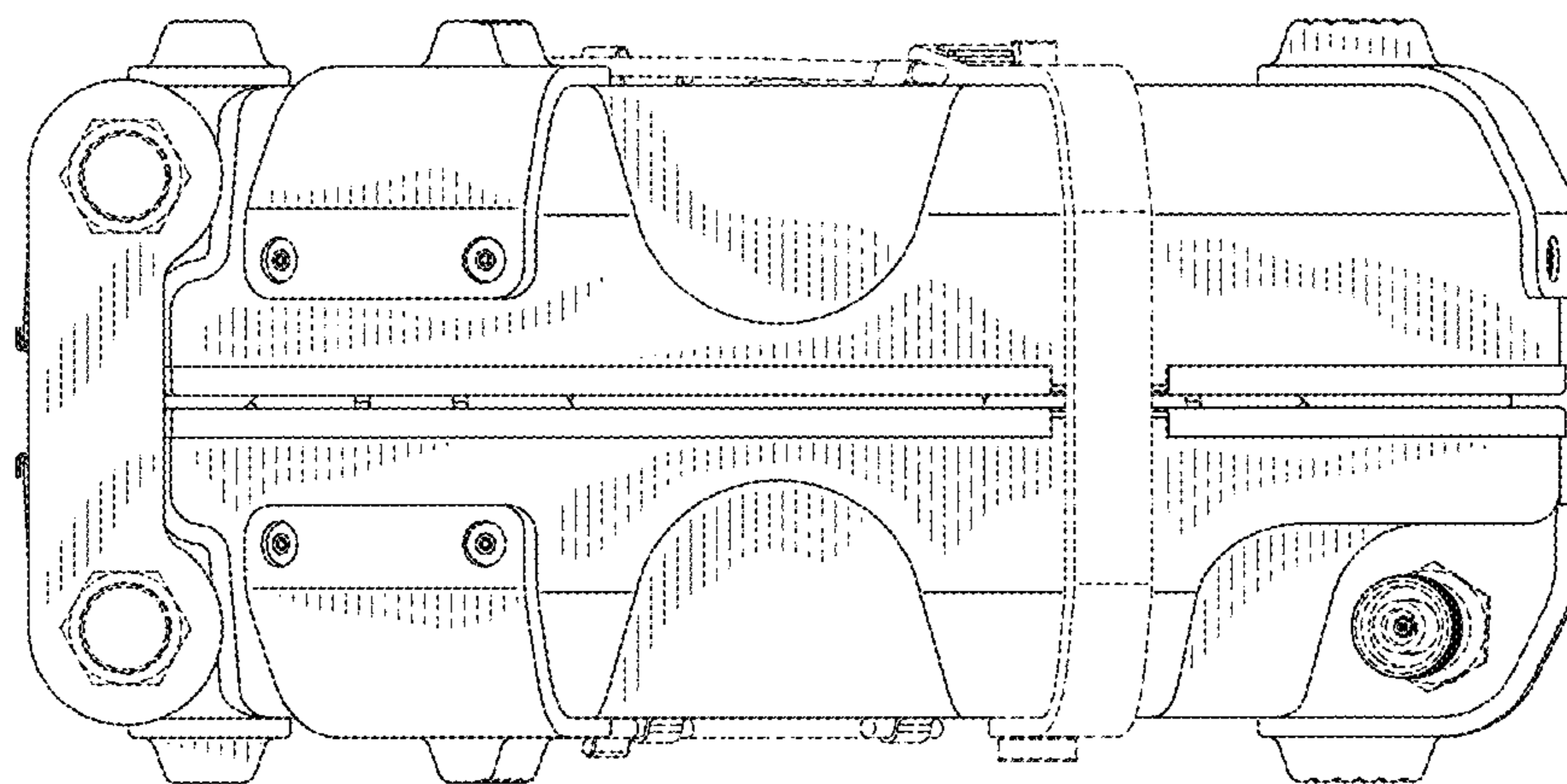


FIG. 7

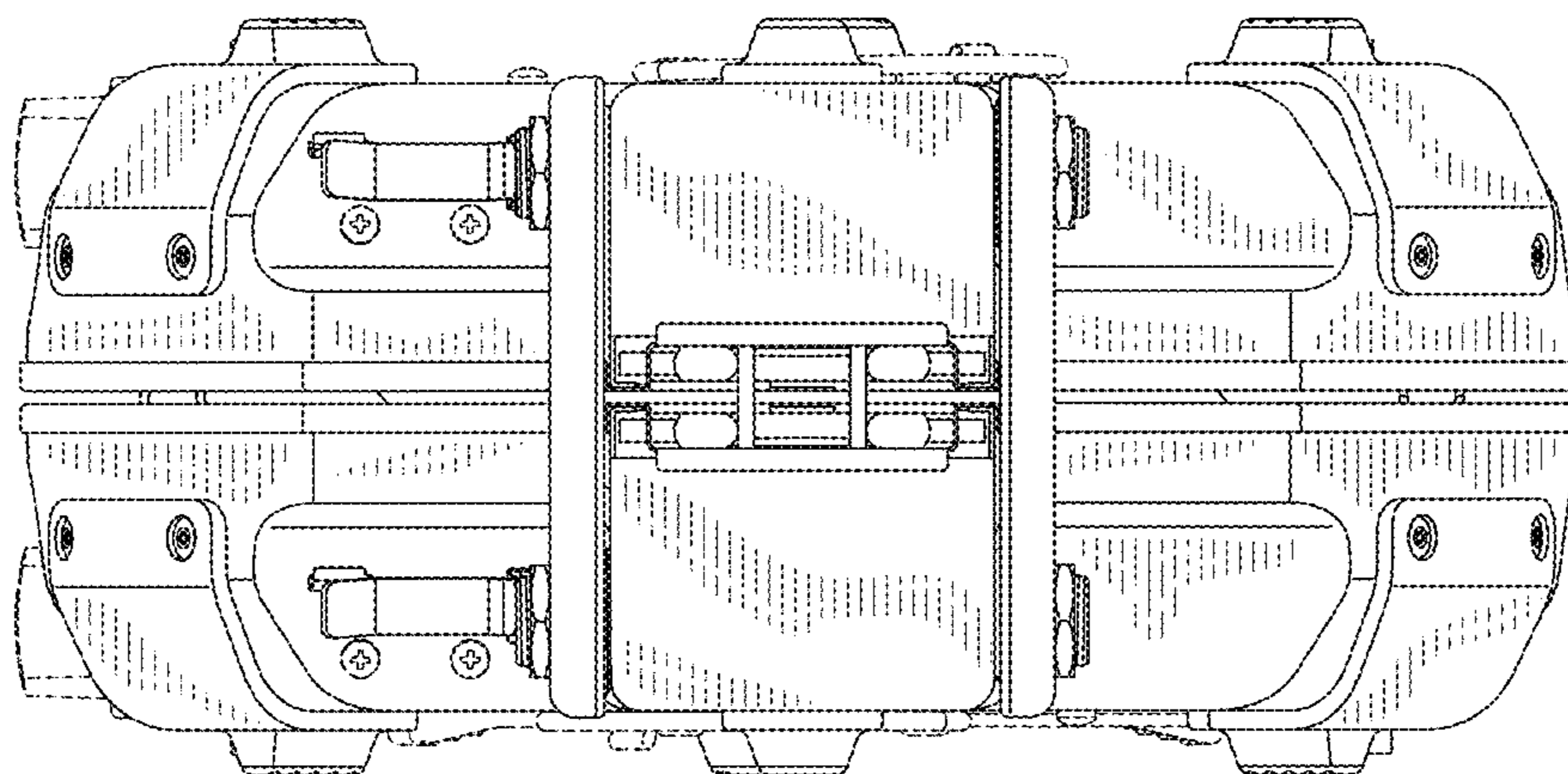


FIG. 8

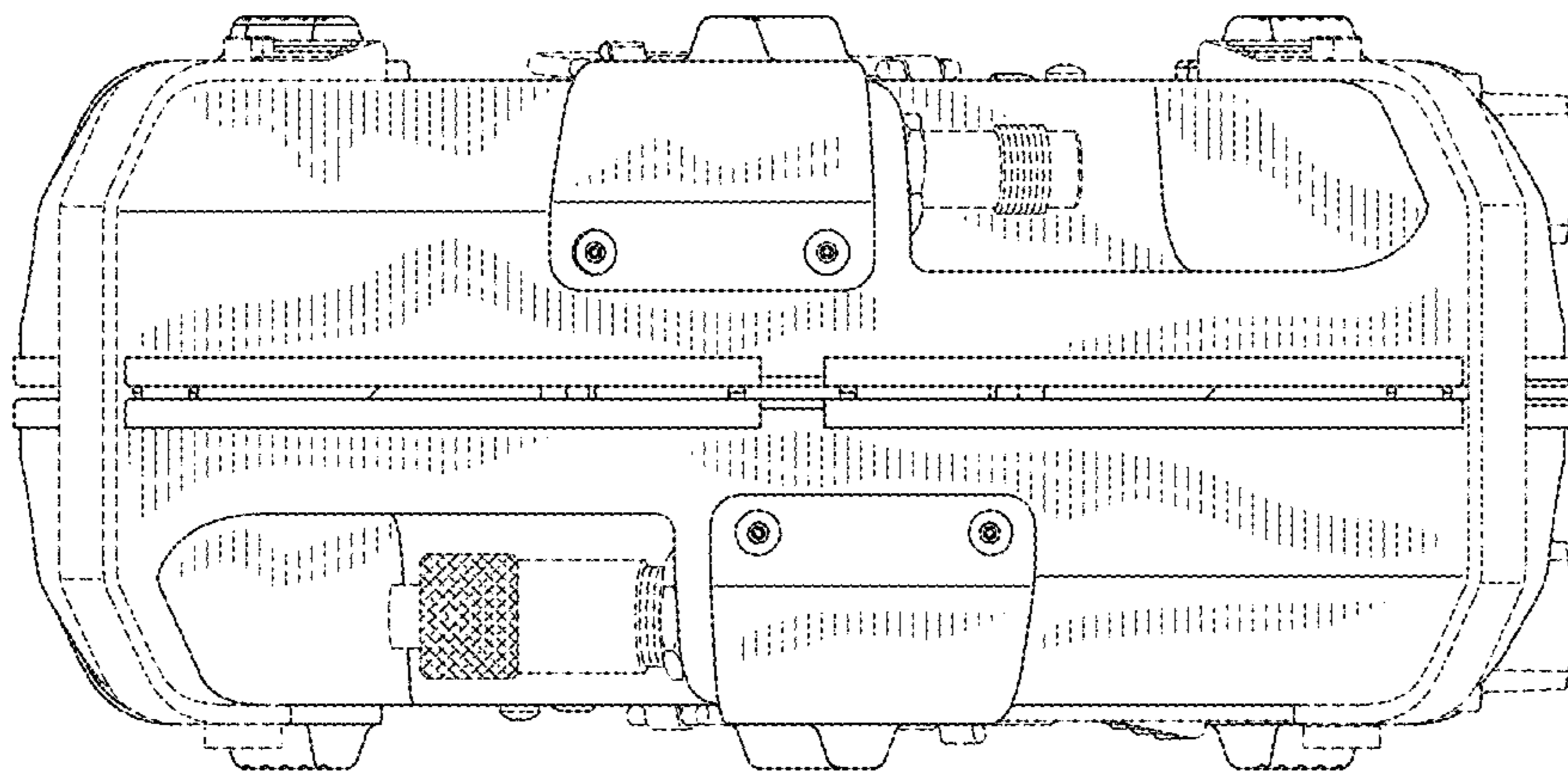


FIG. 9

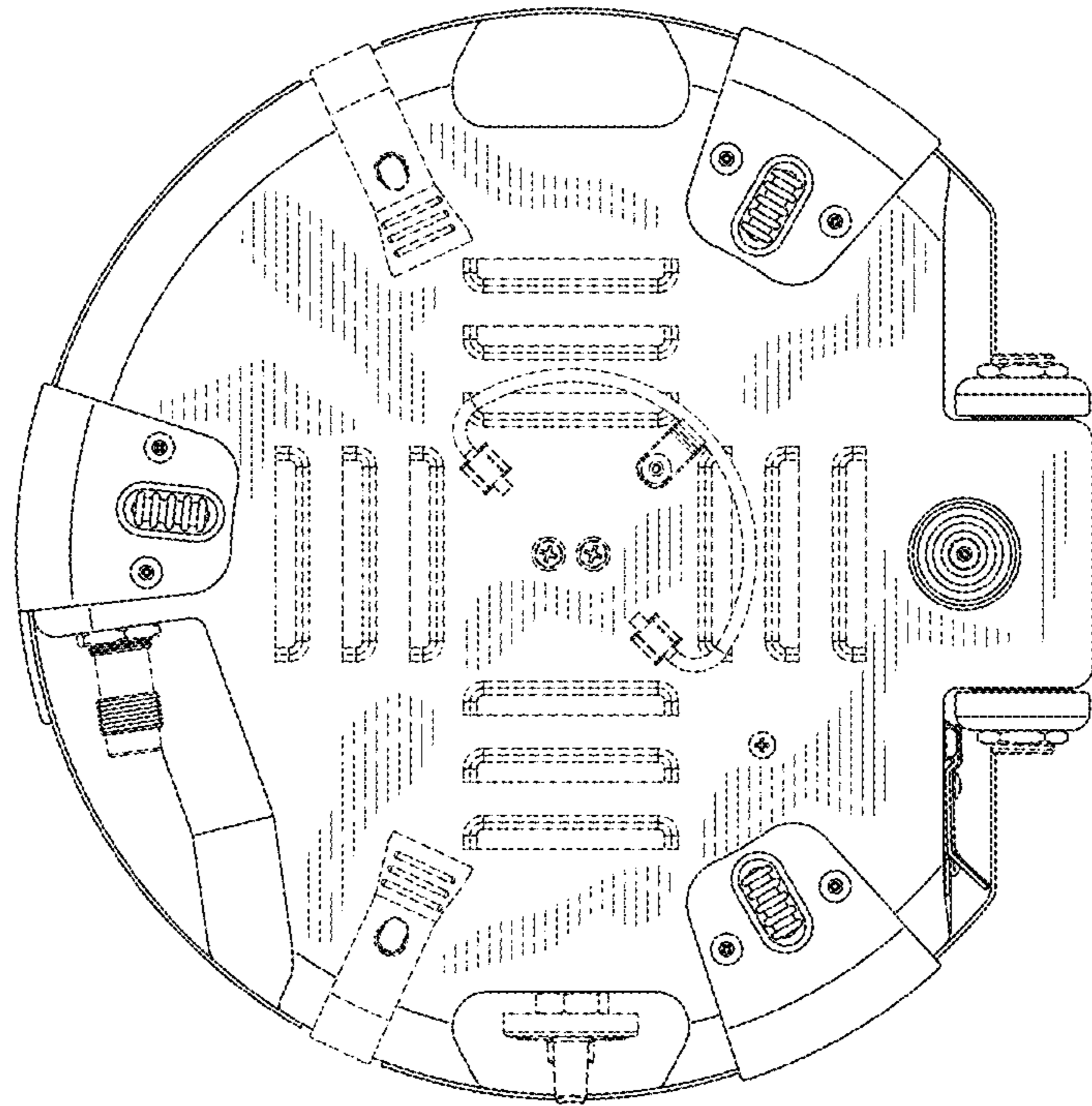


FIG. 10

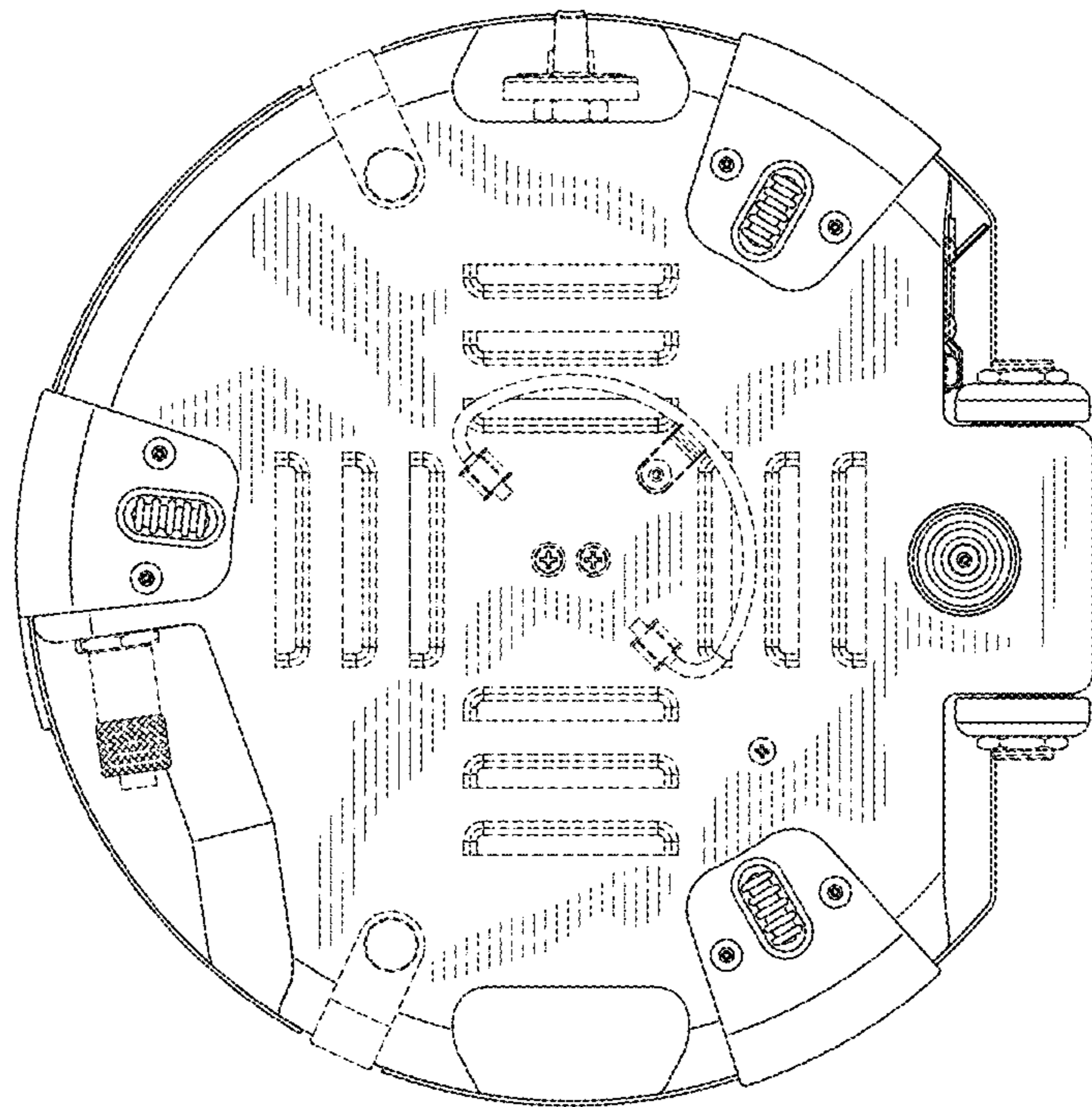


FIG. 11



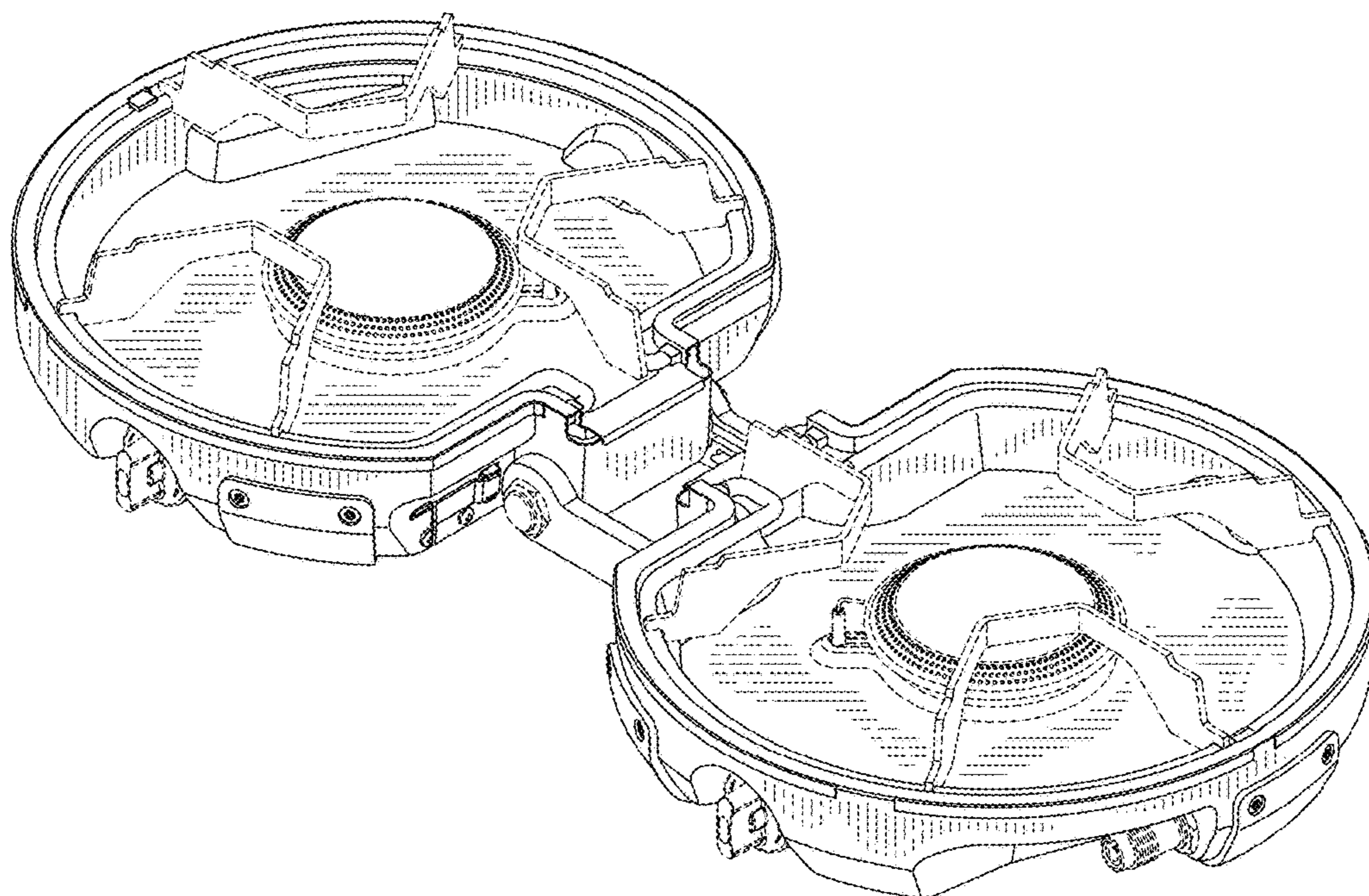


FIG. 12

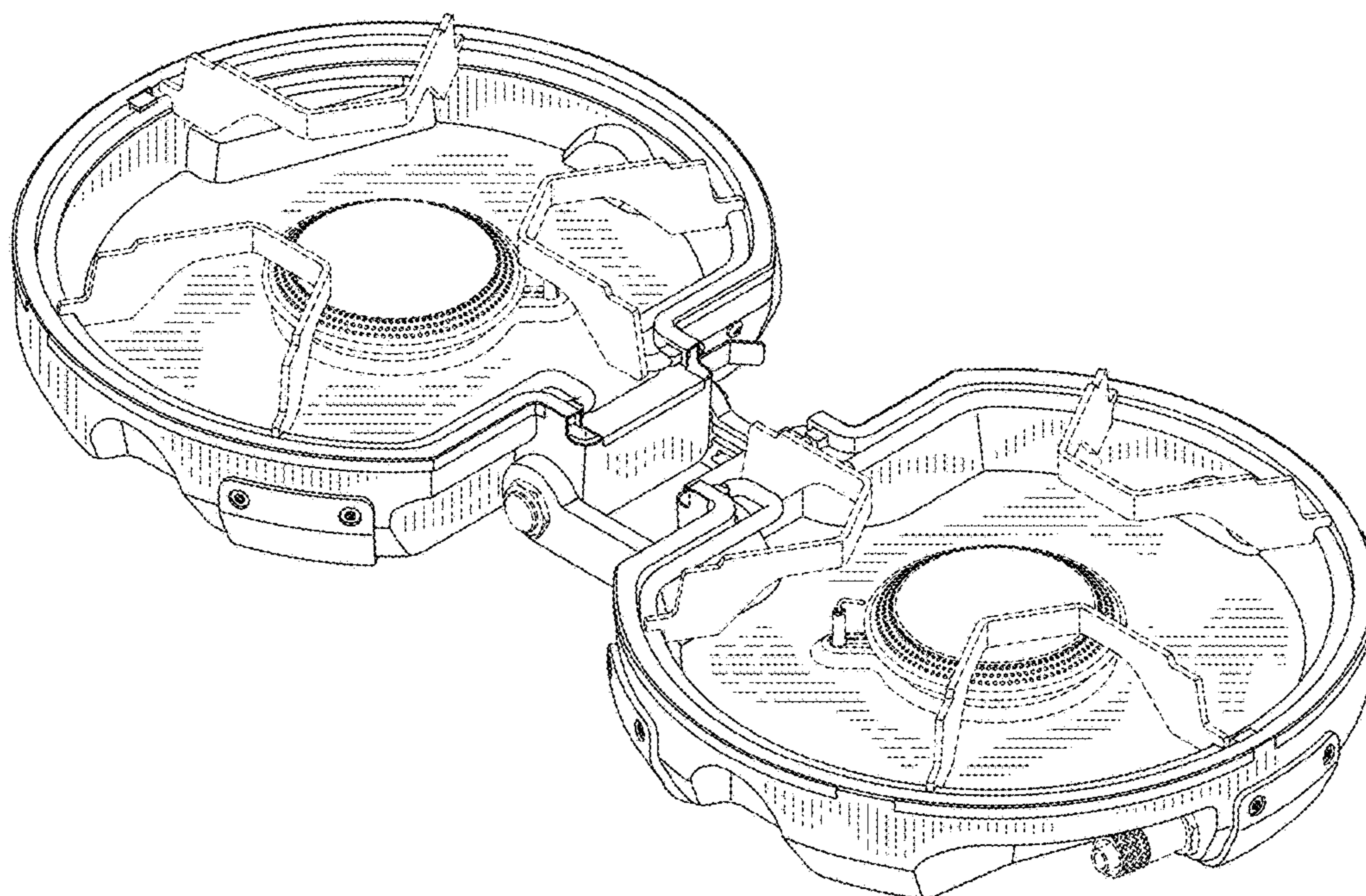


FIG. 13

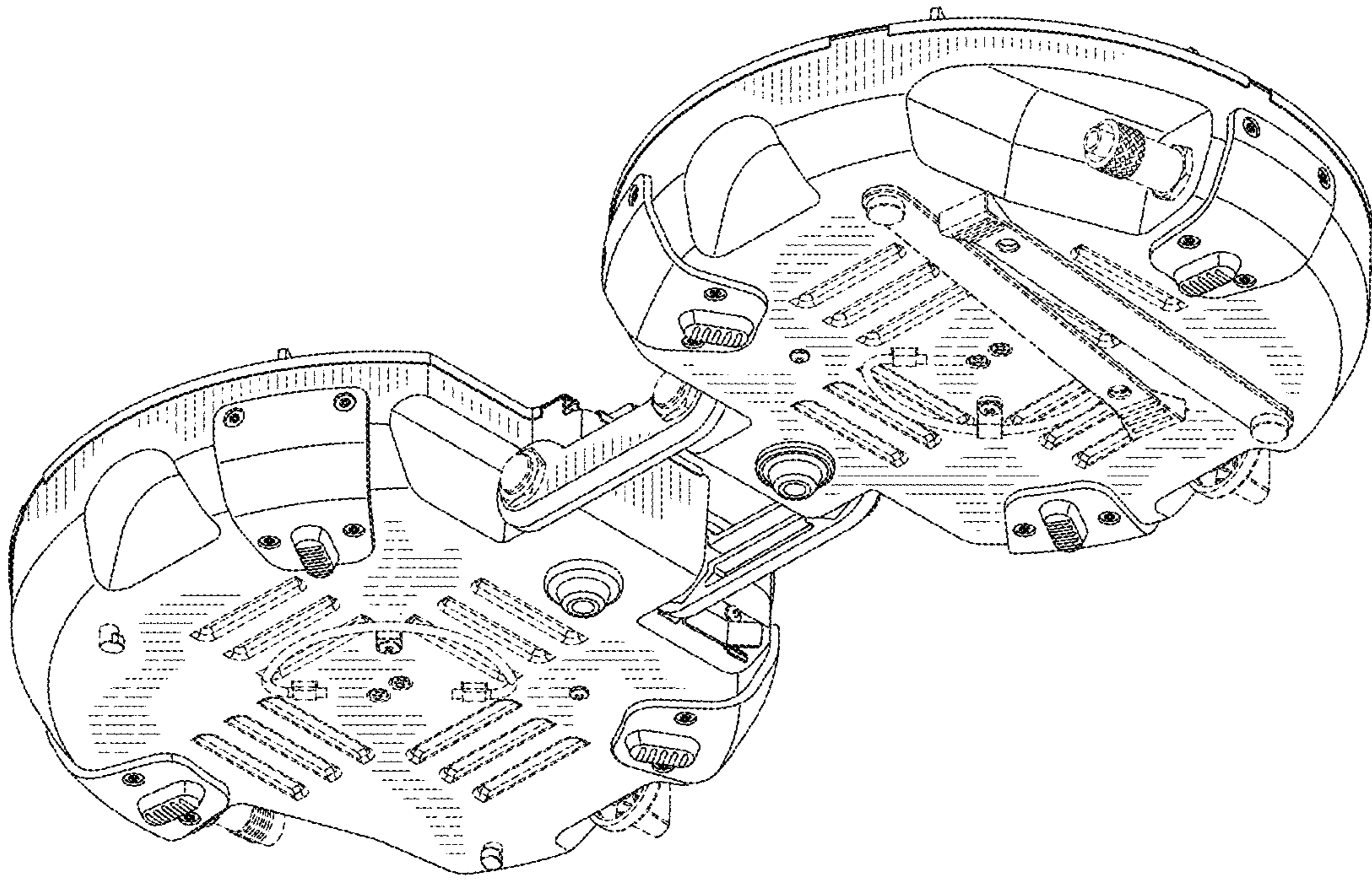


FIG. 14

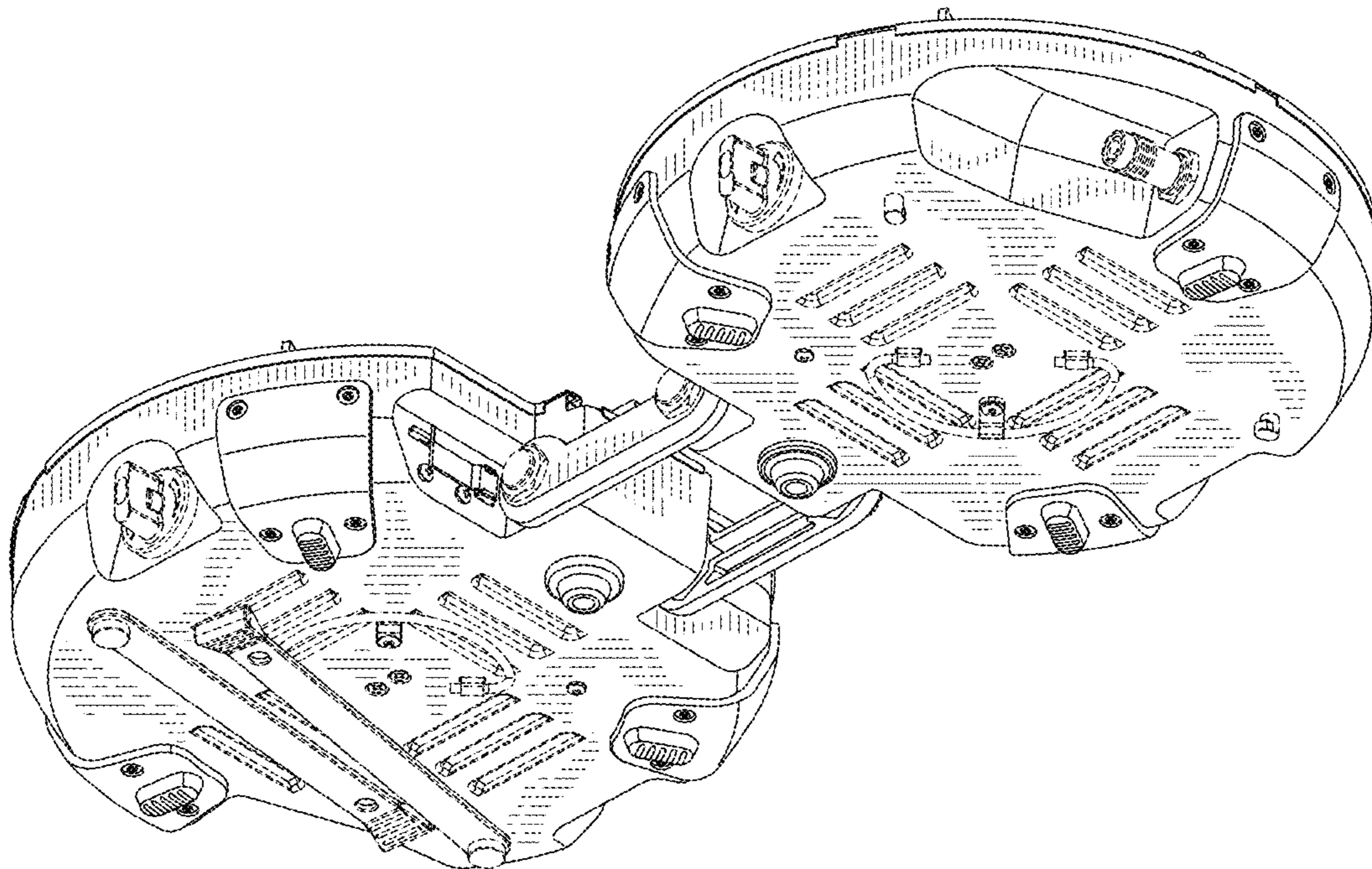


FIG. 15

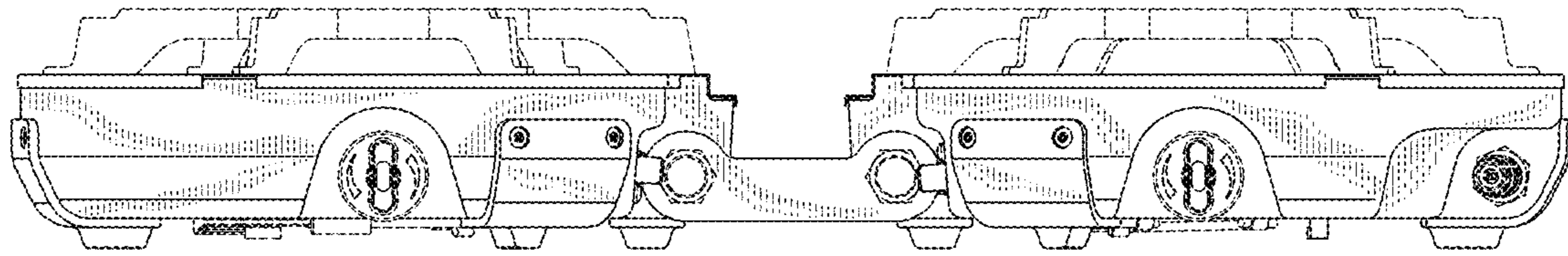


FIG. 16

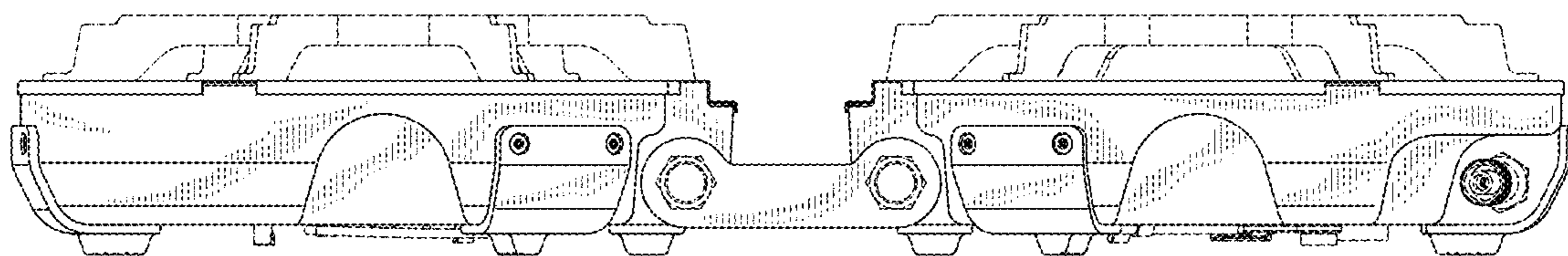


FIG. 17

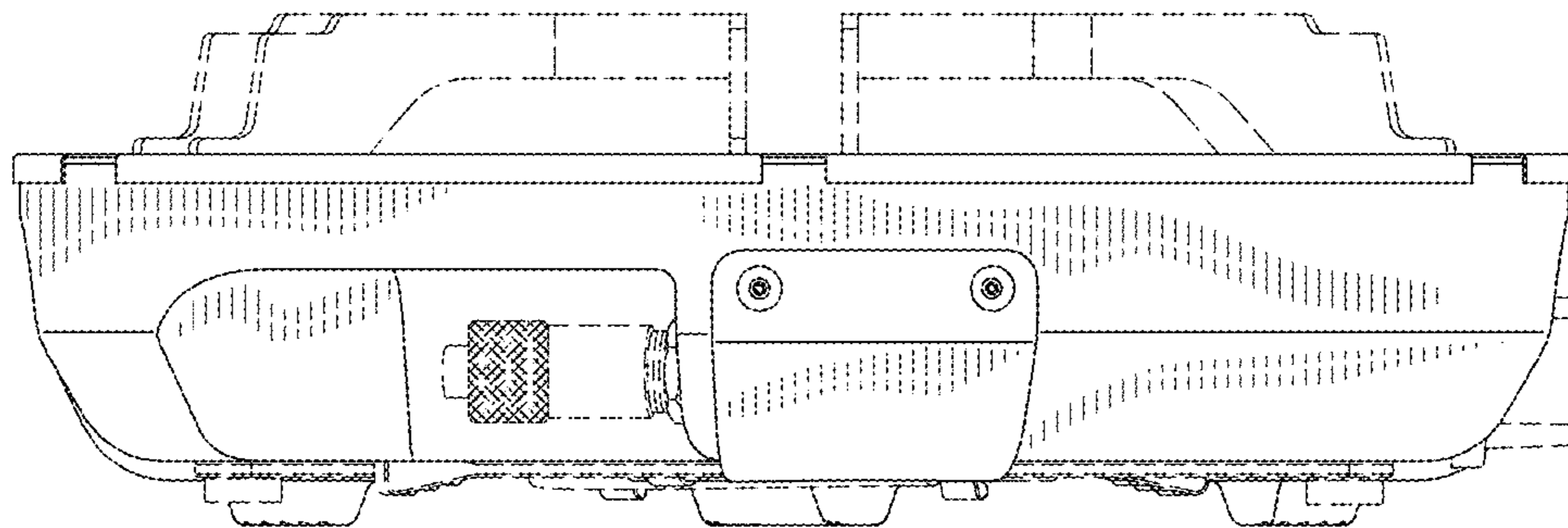


FIG. 18

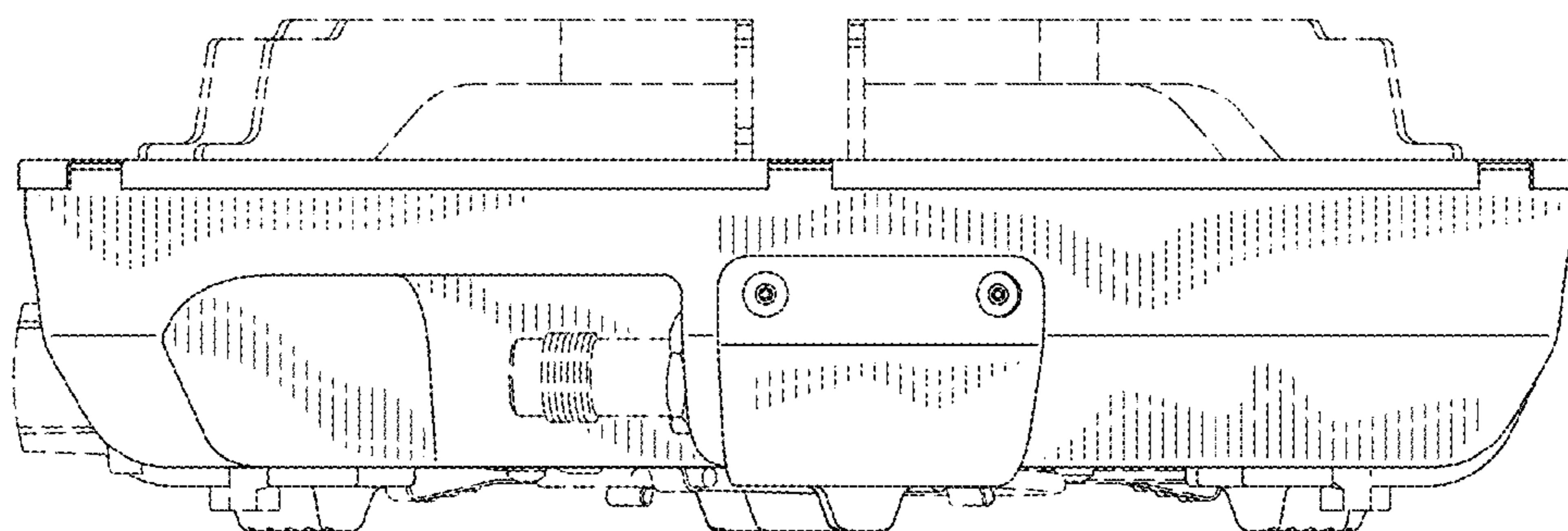


FIG. 19

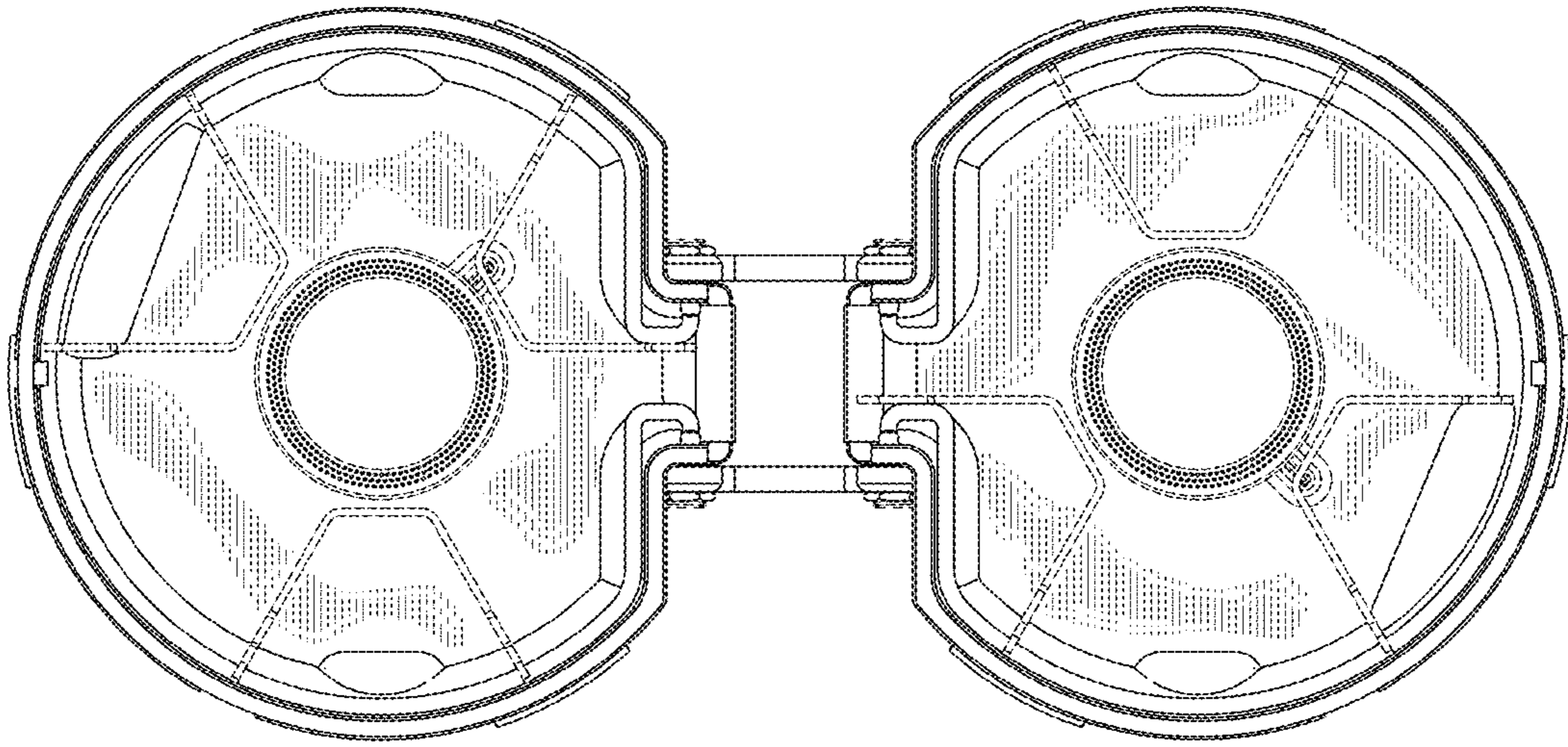


FIG. 20

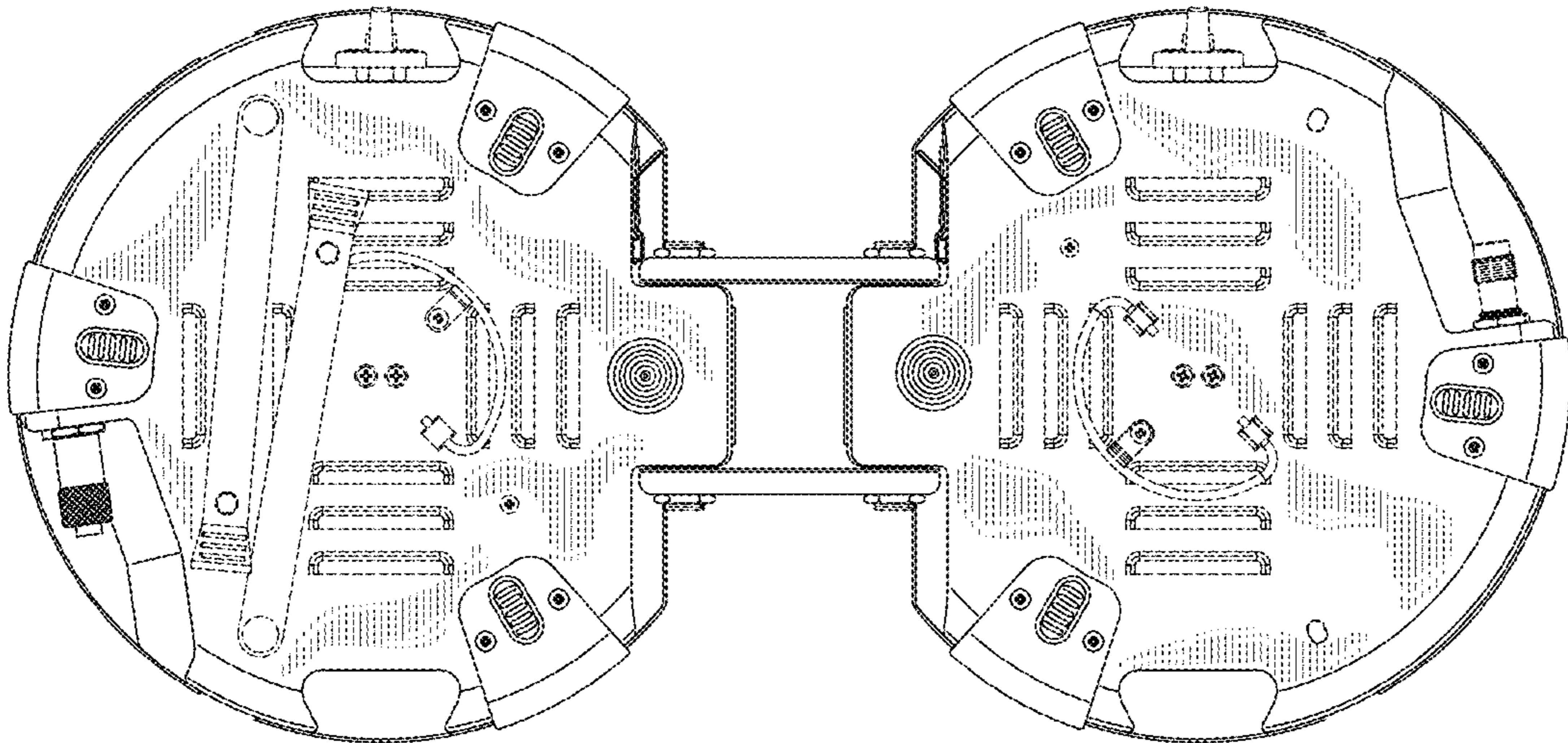


FIG. 21