



US00D793789S

(12) **United States Design Patent**
Rawls-Meehan

(10) **Patent No.:** **US D793,789 S**

(45) **Date of Patent:** **** Aug. 8, 2017**

(54) **BED WITH HEAD SKIRT AND FOOT SKIRT**

(71) Applicant: **ASCION, LLC**, Bloomfield Hills, MI (US)

(72) Inventor: **Martin B. Rawls-Meehan**, Franklin, MI (US)

(73) Assignee: **ASCION, LLC**, Bloomfield Hills, MI (US)

(**) Term: **14 Years**

(21) Appl. No.: **29/491,234**

(22) Filed: **May 19, 2014**

(51) **LOC (10) Cl.** **06-06**

(52) **U.S. Cl.**

USPC **D6/718**

(58) **Field of Classification Search**

USPC D6/382-384, 392-395, 702, 605, 718;
5/53.1, 279.1, 280, 281, 907, 613, 616,
5/618, 722

CPC A47C 19/02; A47C 19/005; A47C 19/025;
A47C 17/04; A47C 17/16; A47C 17/161;
A47C 20/04; A47C 20/041; A47C
19/021; A47C 19/04; A47C 4/021; A61G
7/015; A61G 7/00; A61G 7/0573; A61G
7/012; B65D 19/0002

See application file for complete search history.

(56) **References Cited**

U.S. PATENT DOCUMENTS

2,996,732 A * 8/1961 Draper A47C 20/041
5/616
D192,910 S * 5/1962 Sundberg et al. D24/183
3,061,843 A * 11/1962 Singer A47C 20/043
5/618
3,644,946 A * 2/1972 Swatt A47C 20/041
5/616

3,879,774 A * 4/1975 Glasser A47C 19/005
297/452.18
4,062,074 A * 12/1977 Holland A61G 7/005
5/607
D255,402 S * 6/1980 Lundgren D6/361
D271,729 S * 12/1983 Dodrill D6/392
D288,874 S * 3/1987 Yosimoto D6/382
D331,159 S * 11/1992 Bueno D6/382
5,537,701 A * 7/1996 Elliott A47C 19/005
5/616
5,544,376 A * 8/1996 Fromson A61G 7/018
318/16
5,640,730 A * 6/1997 Godette A47C 20/041
5/617
D406,473 S * 3/1999 Lin D6/361
D412,624 S * 8/1999 Bergenwall D6/392
6,357,065 B1 * 3/2002 Adams A47C 19/04
5/611
D498,605 S * 11/2004 Barry D6/392

(Continued)

Primary Examiner — Cathron Brooks

(74) *Attorney, Agent, or Firm* — Dinsmore & Shohl LLP

(57) **CLAIM**

The ornamental design for a bed with head skirt and foot skirt, as shown and described.

DESCRIPTION

FIG. 1 is a side perspective view of a head skirt and foot skirt in accordance with the present invention, the opposite side view being a mirror image thereof;

FIG. 2 is a top view of the head skirt and foot skirt of FIG. 1;

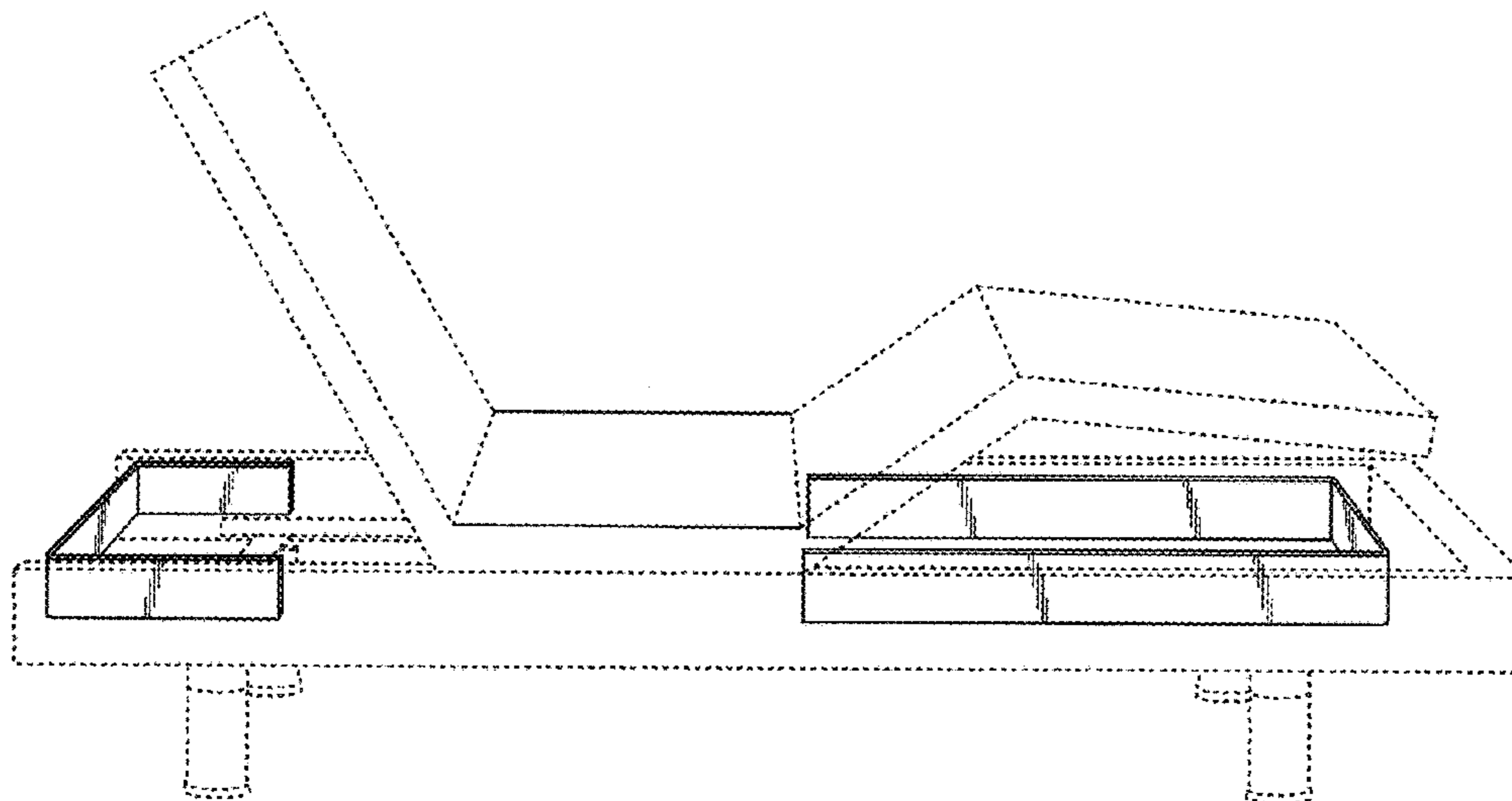
FIG. 3 is a front perspective view of the head skirt and foot skirt of FIGS. 1 and 2;

FIG. 4 is a rear perspective view of the head skirt and foot skirt of FIGS. 1-3; and,

FIG. 5 is a rear view of the head skirt and foot skirt of FIGS. 1-4.

The broken lines shown illustrate the environment of the claimed design and form no part thereof.

1 Claim, 5 Drawing Sheets



(56)

References Cited

U.S. PATENT DOCUMENTS

6,990,698 B2 * 1/2006 Wall, Sr. A47C 20/041
5/618
7,047,579 B2 * 5/2006 Piana A47C 21/026
5/193
D592,885 S * 5/2009 Mainzer D6/393
D646,078 S * 10/2011 Shih D6/382
8,091,165 B2 * 1/2012 Mossbeck A47C 20/041
5/200.1
D653,870 S * 2/2012 Messenger D6/361
D692,712 S * 11/2013 Helser D6/705
D707,463 S * 6/2014 McCarty D6/361
D719,759 S * 12/2014 Rawls-Meehan D6/392
D720,553 S * 1/2015 Rawls-Meehan D6/392
D722,782 S * 2/2015 Sherwood D6/382
D736,023 S * 8/2015 Rawls-Meehan D6/718
D756,678 S * 5/2016 Rawls-Meehan D6/392
D763,005 S * 8/2016 Rawls-Meehan D6/392
9,414,689 B1 * 8/2016 Grey A47C 17/46
2005/0005357 A1 * 1/2005 Van Raemdonck ... A47C 1/024
5/617

2005/0210587 A1 * 9/2005 Piana A47C 21/026
5/618
2006/0107456 A1 * 5/2006 Joseph A47C 17/58
5/2.1
2007/0220677 A1 * 9/2007 Dewert A47C 20/08
5/618
2010/0287704 A1 * 11/2010 Hibler A47C 20/041
5/613
2011/0247138 A1 * 10/2011 Clenet A47C 20/04
5/613
2012/0297543 A1 * 11/2012 Robertson A47C 20/041
5/616
2013/0283531 A1 10/2013 Rawls-Meehan
2014/0000033 A1 * 1/2014 Clenet A61G 7/015
5/618
2014/0304916 A1 * 10/2014 Guo A61G 7/015
5/616
2015/0359345 A1 * 12/2015 Schulte A47C 19/005
5/280
2016/0262548 A1 * 9/2016 Broom A47C 20/04
2017/0013967 A1 * 1/2017 Grey A47C 17/46

* cited by examiner

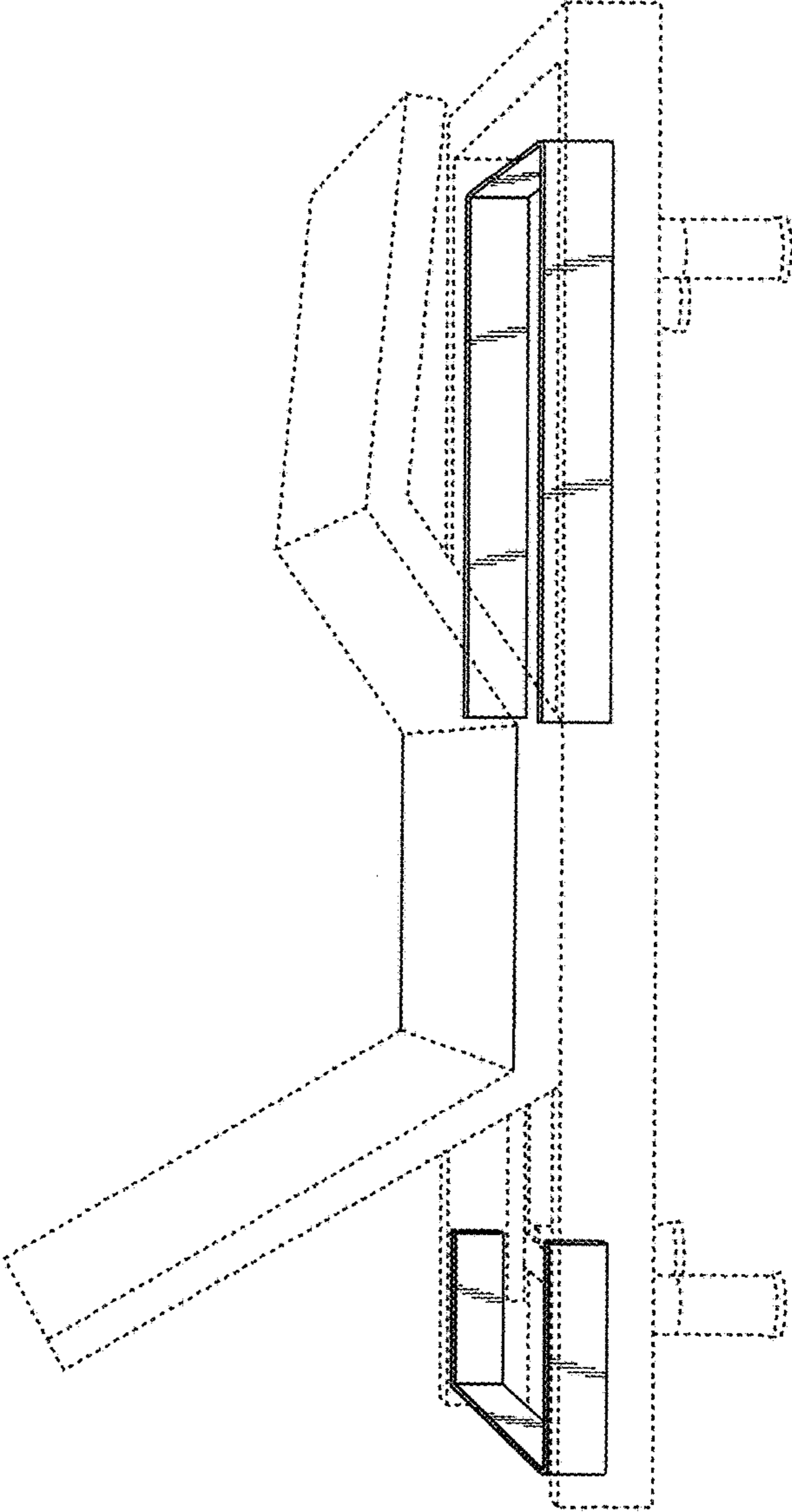


FIG. 1

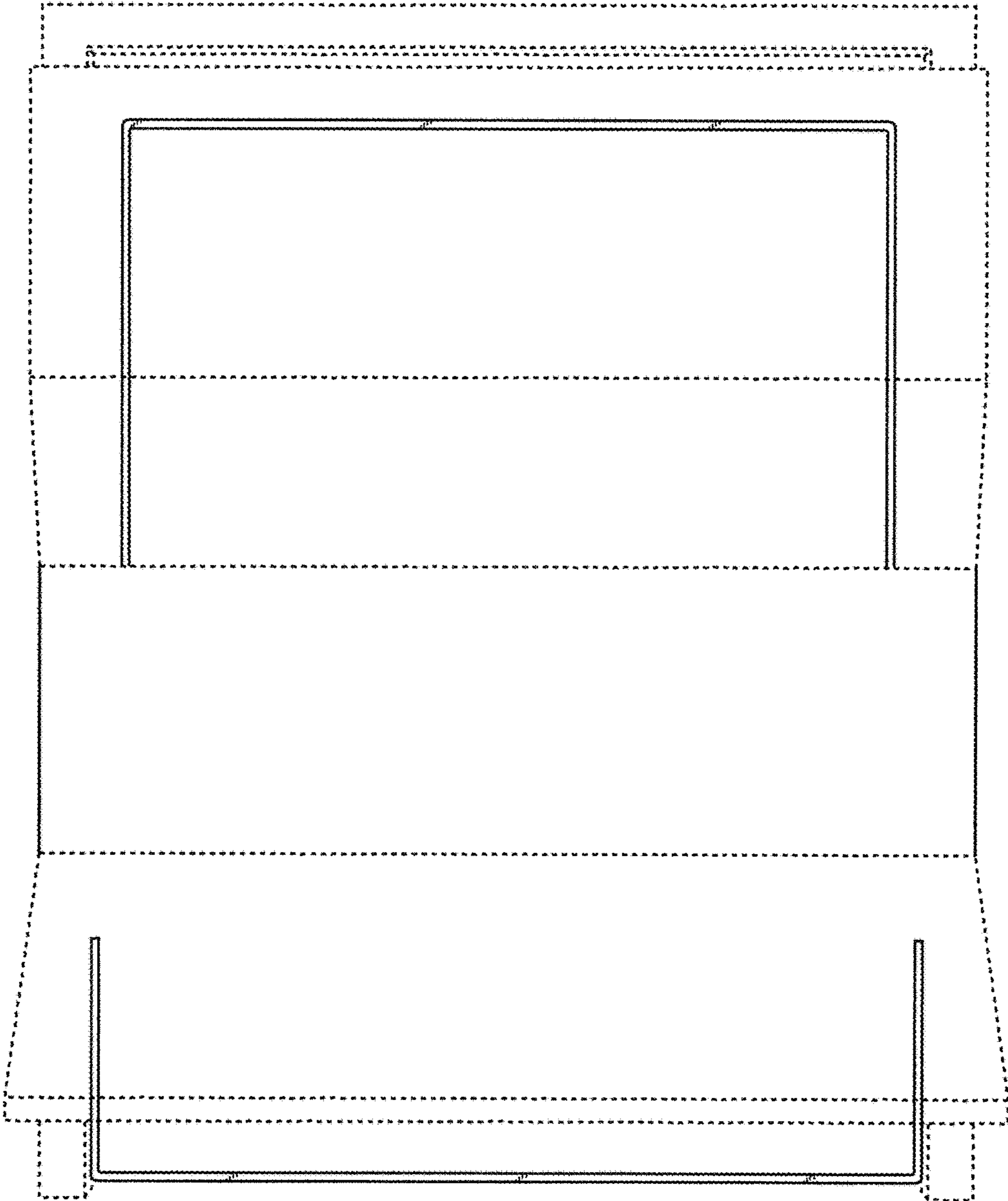


FIG. 2

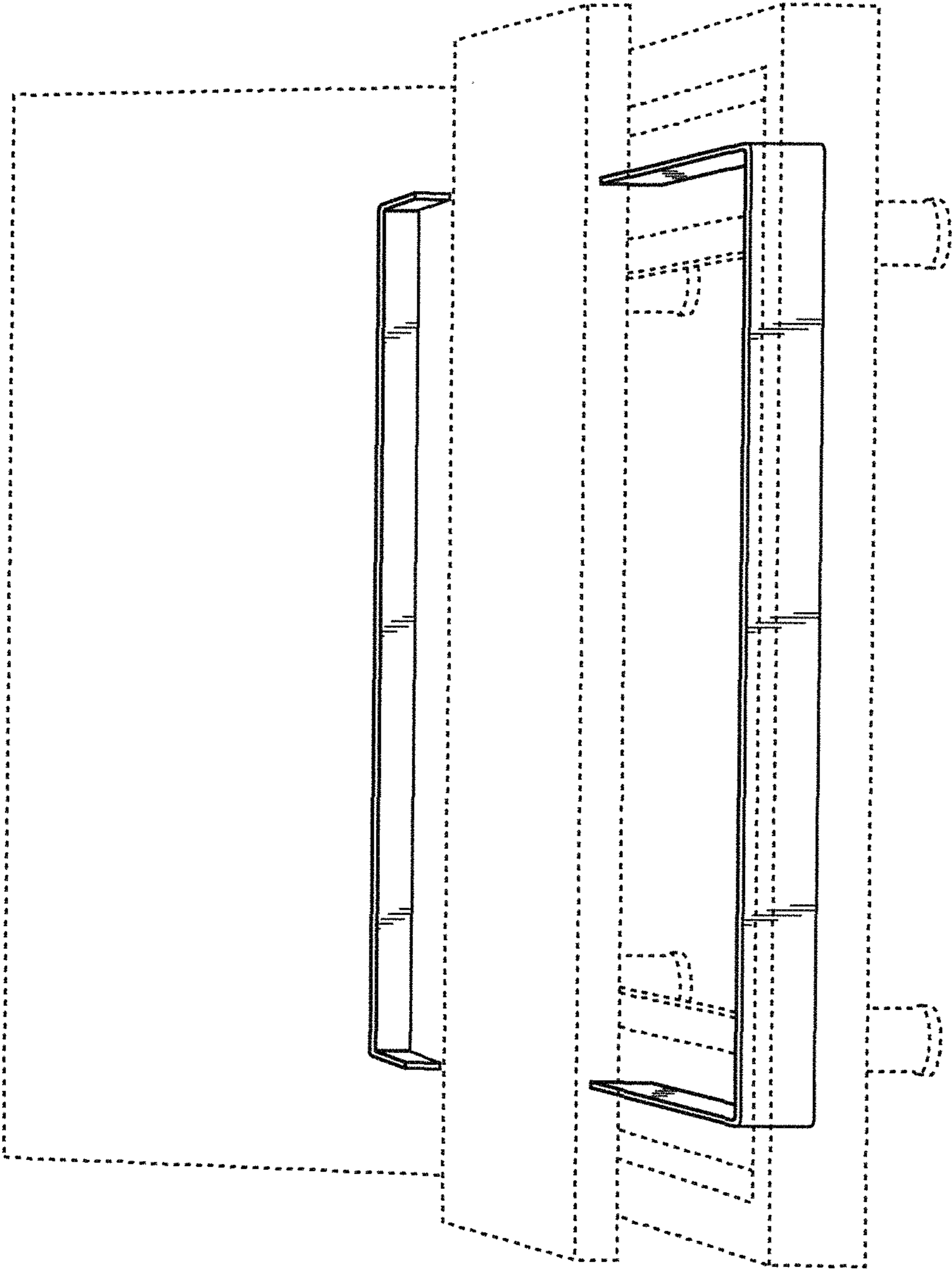


FIG. 3

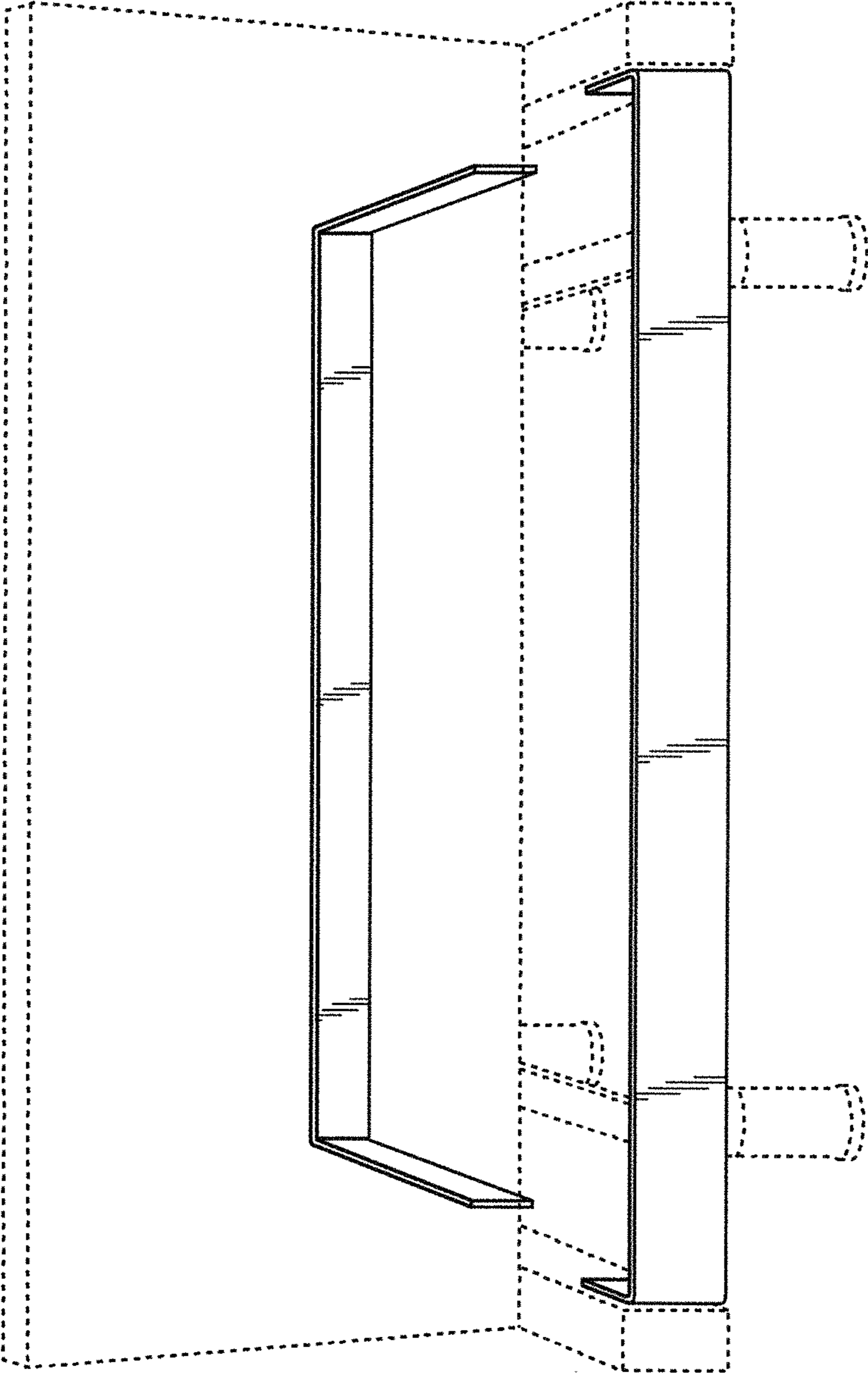


FIG. 4

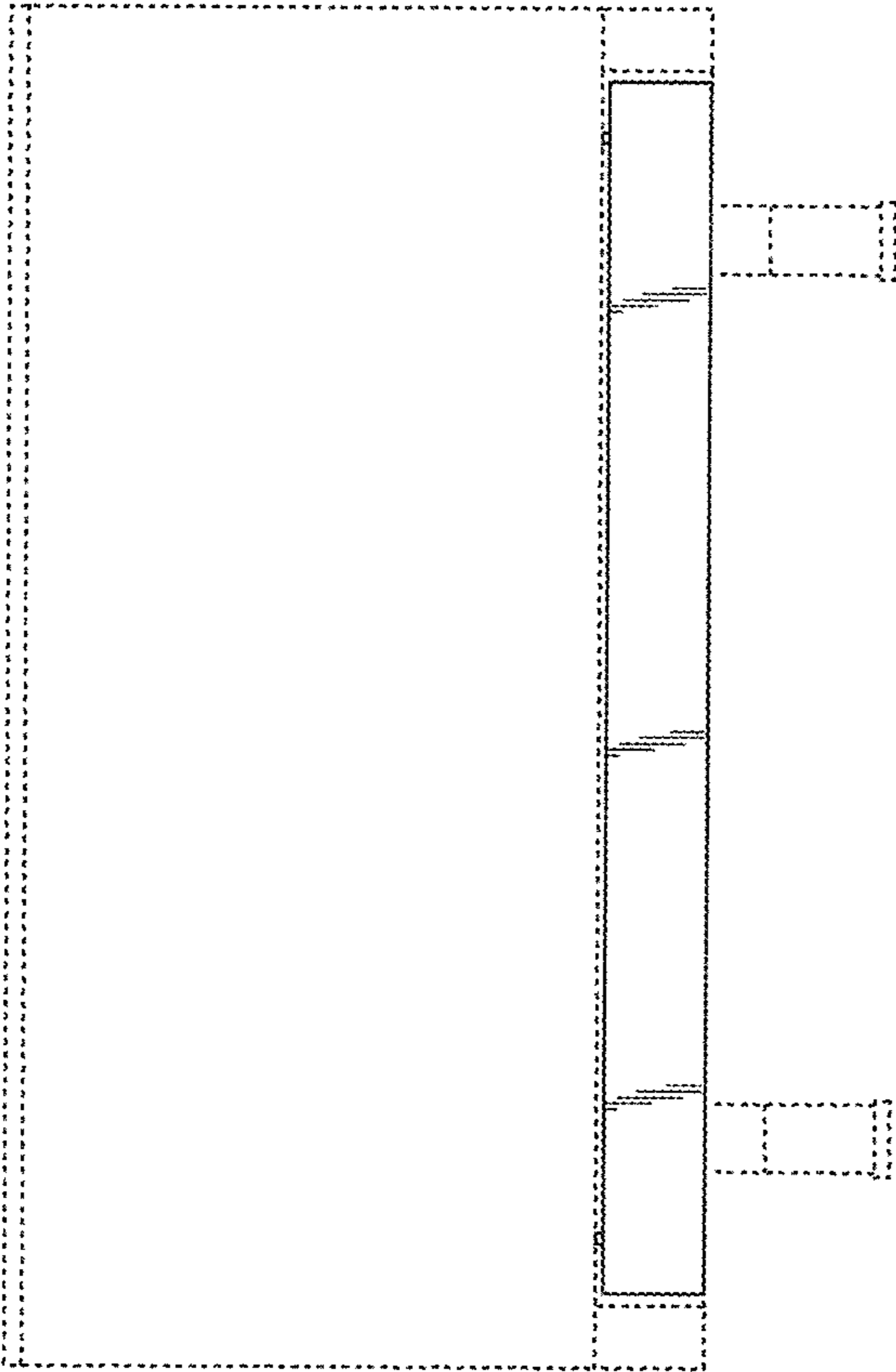


FIG. 5