



US00D793788S

(12) **United States Design Patent**  
**Lai et al.**

(10) **Patent No.:** **US D793,788 S**  
(45) **Date of Patent:** **\*\* Aug. 8, 2017**

- (54) **CHAIR BACK ADJUSTER**
- (71) Applicants: **Yu-Shan Lai**, Chiayi (TW);  
**Yen-Chuan Lai**, Chiayi (TW)
- (72) Inventors: **Yu-Shan Lai**, Chiayi (TW);  
**Yen-Chuan Lai**, Chiayi (TW)
- (\*\*) Term: **14 Years**
- (21) Appl. No.: **29/514,043**
- (22) Filed: **Jan. 8, 2015**
- (51) **LOC (10) Cl.** ..... **06-04**
- (52) **U.S. Cl.**  
USPC ..... **D6/716.7**
- (58) **Field of Classification Search**  
USPC ... D6/334–336, 360–381, 716, 716.1–716.4;  
248/274.1, 297.21, 297.31, 424;  
297/284.4, 286, 291, 300.1–300.3, 353,  
297/378.1, 383, 411.27, 411.36, 440.2,  
297/452.13, 452.19, 452.21, 452.29,  
297/452.3, 452.46, 452.56, 452.64;  
403/322.1  
CPC ..... A47C 1/02; A47C 1/03; A47C 1/03255;  
A47C 1/03272; A47C 1/023; A47C  
1/024; A47C 1/146; A47C 3/025; A47C  
3/026; A47C 7/02; A47C 7/022; A47C  
7/282; A47C 7/40; A47C 7/402; A47C  
7/44; A47C 7/46; A47C 7/441; A47C  
7/443; A47C 7/54; B60N 2/64; B60N  
2/66  
See application file for complete search history.

(56) **References Cited**

**U.S. PATENT DOCUMENTS**

- 5,791,734 A \* 8/1998 Malenotti ..... A47C 7/402  
248/297.31
- 5,882,078 A \* 3/1999 Gebhard ..... A47C 7/402  
248/412
- 6,276,757 B1 \* 8/2001 Brown ..... A47C 7/402  
297/353

- 6,631,953 B2 \* 10/2003 Lai ..... A47C 7/402  
297/353
  - 7,275,790 B2 \* 10/2007 Chi ..... A47C 7/402  
297/353
  - 7,341,233 B2 \* 3/2008 McMains ..... A47C 1/023  
248/424
  - 7,360,837 B1 \* 4/2008 Liu ..... A47C 7/402  
297/353
  - D736,551 S \* 8/2015 Lai ..... D6/716.7
  - 9,113,716 B2 \* 8/2015 Chen ..... A47C 7/402
- (Continued)

**OTHER PUBLICATIONS**

Chair Back Height Adjustment Device, posted on asia-manufacturer.com, website copyrighted 2006-2007, no production date given, [online], [site visited Oct. 5, 2016], Available on Internet, <URL: [http://www.asia-manufacturer.com/manufacturers/001/products-detail\\_27916\\_100009751.html](http://www.asia-manufacturer.com/manufacturers/001/products-detail_27916_100009751.html)>.\*

(Continued)

*Primary Examiner* — Eric Goodman  
*Assistant Examiner* — Fritzgerald Butac  
(74) *Attorney, Agent, or Firm* — Alan D. Kamrath;  
Kamrath IP Lawfirm, P.A.

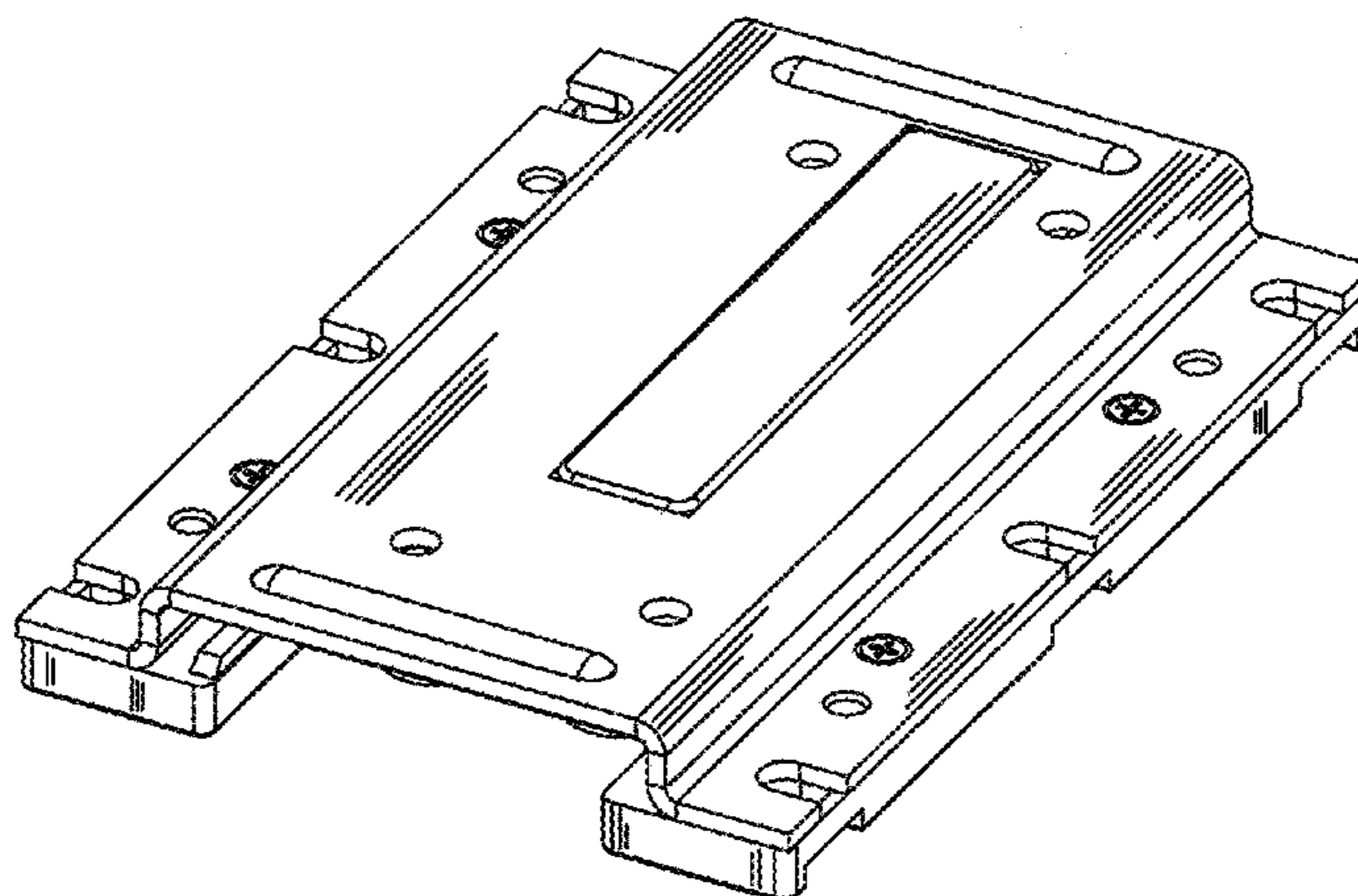
(57) **CLAIM**

The ornamental design for a chair back adjuster, as shown and described.

**DESCRIPTION**

FIG. 1 is a perspective view of a chair back adjuster showing our new design;  
FIG. 2 is a front elevational view thereof;  
FIG. 3 is a rear elevational view thereof;  
FIG. 4 is a left side elevational view thereof;  
FIG. 5 is a right side elevational view thereof;  
FIG. 6 is a top plan view thereof; and,  
FIG. 7 is a bottom plan view thereof.  
Features shown in broken lines depict portions of the chair back adjuster that form no part of the claimed design.

**1 Claim, 5 Drawing Sheets**



(56)

**References Cited**

U.S. PATENT DOCUMENTS

2010/0090512 A1\* 4/2010 Hu ..... A47C 7/402  
297/353  
2011/0085851 A1\* 4/2011 Tsai ..... A47C 7/402  
403/322.1

OTHER PUBLICATIONS

Height Adjustable Device of Chair backrest, posted on cens.com, no posted date given, no production date given, [online], [site visited Oct. 5, 2016], Available on Internet, <URL: [http://www.cens.com/cens/html/en/product/product\\_main\\_17137.html](http://www.cens.com/cens/html/en/product/product_main_17137.html)>.\*

\* cited by examiner

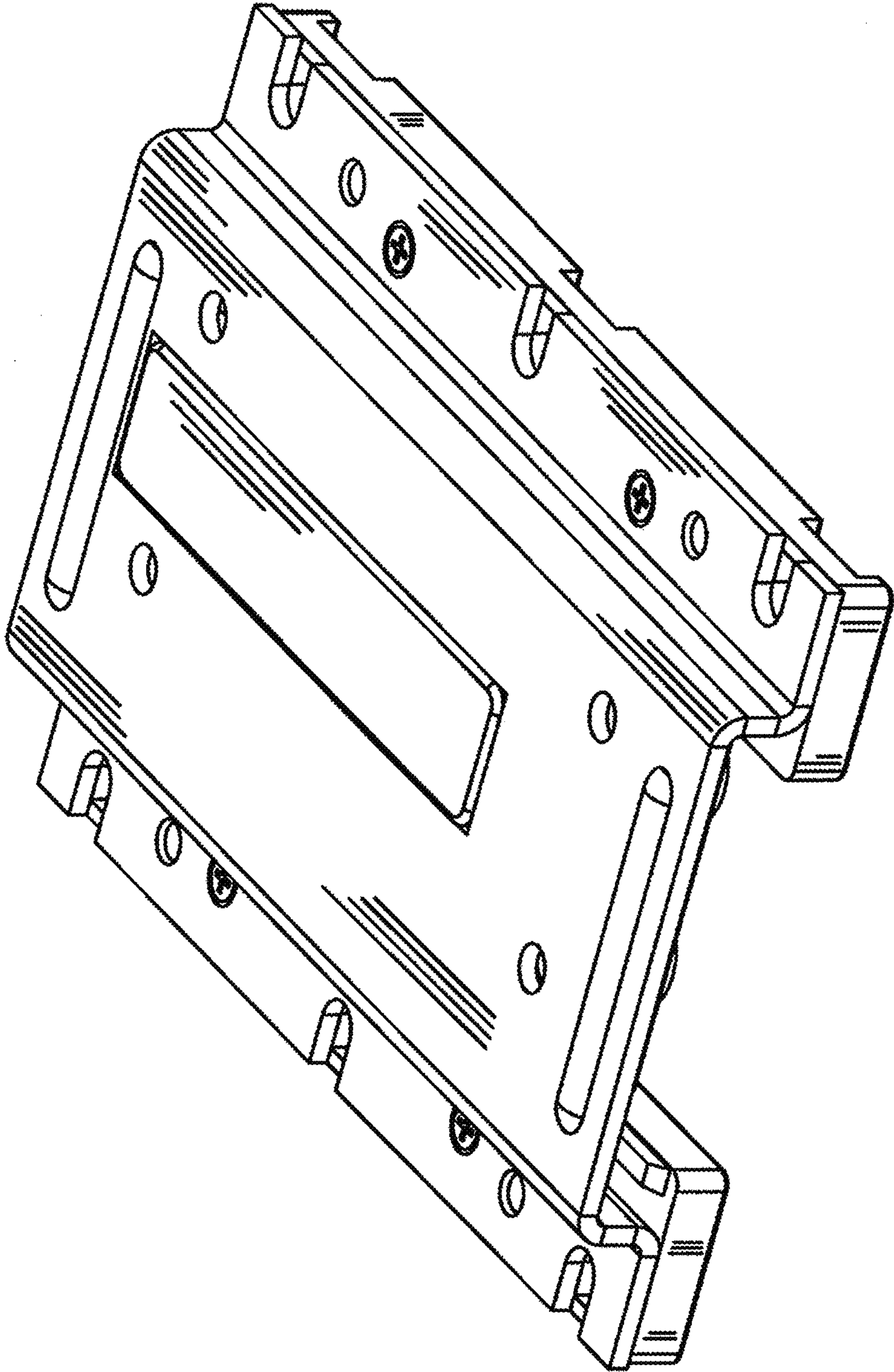


FIG. 1

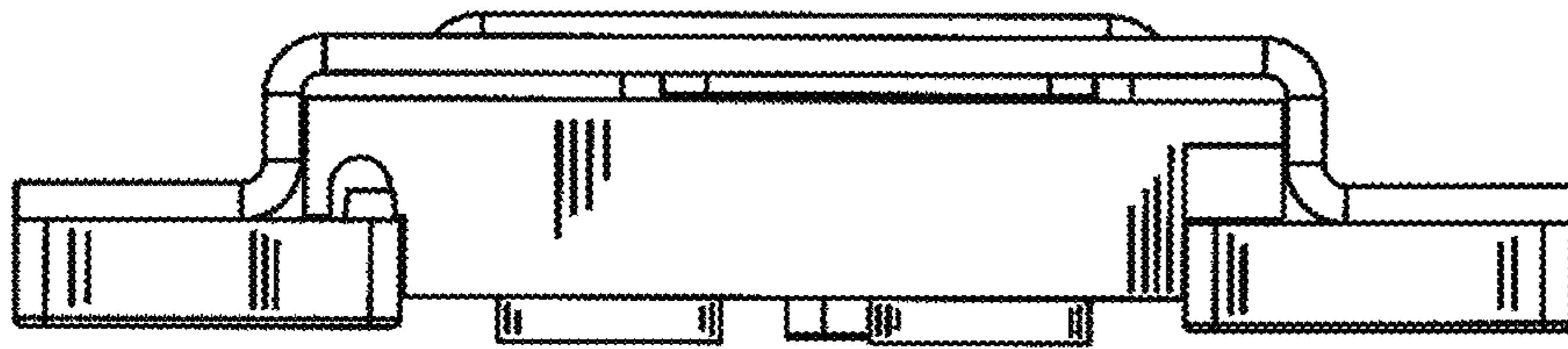


FIG. 2

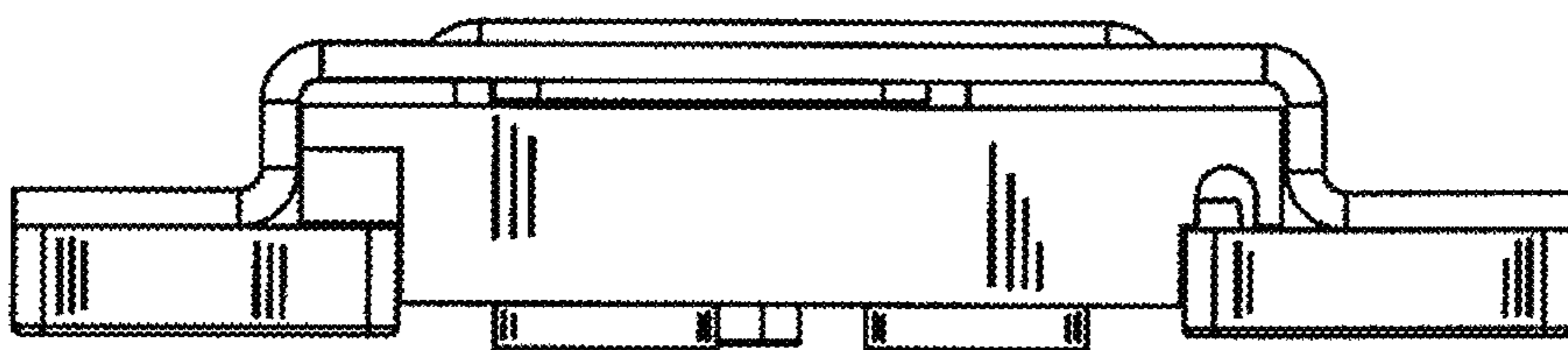


FIG. 3



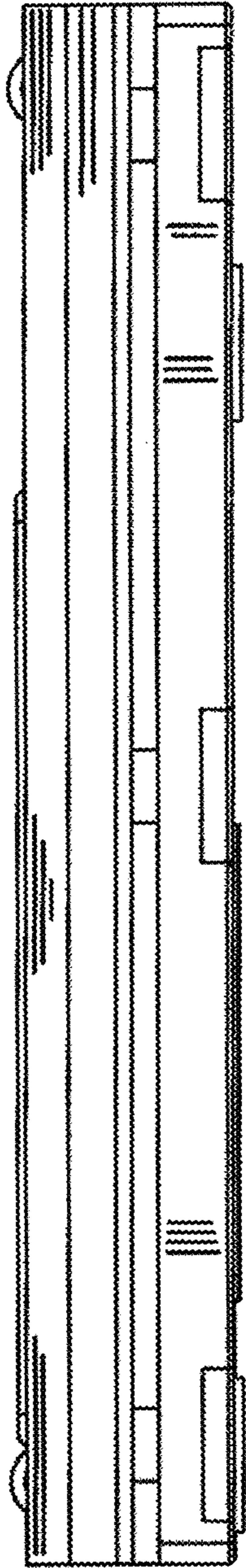


FIG. 4

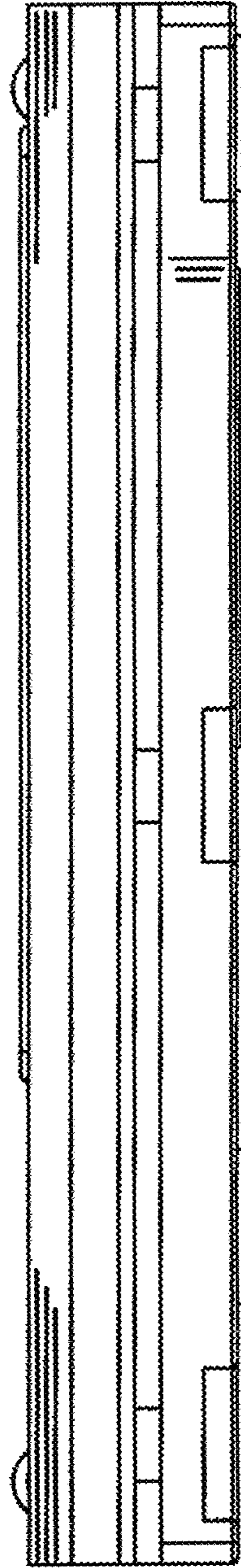


FIG. 5

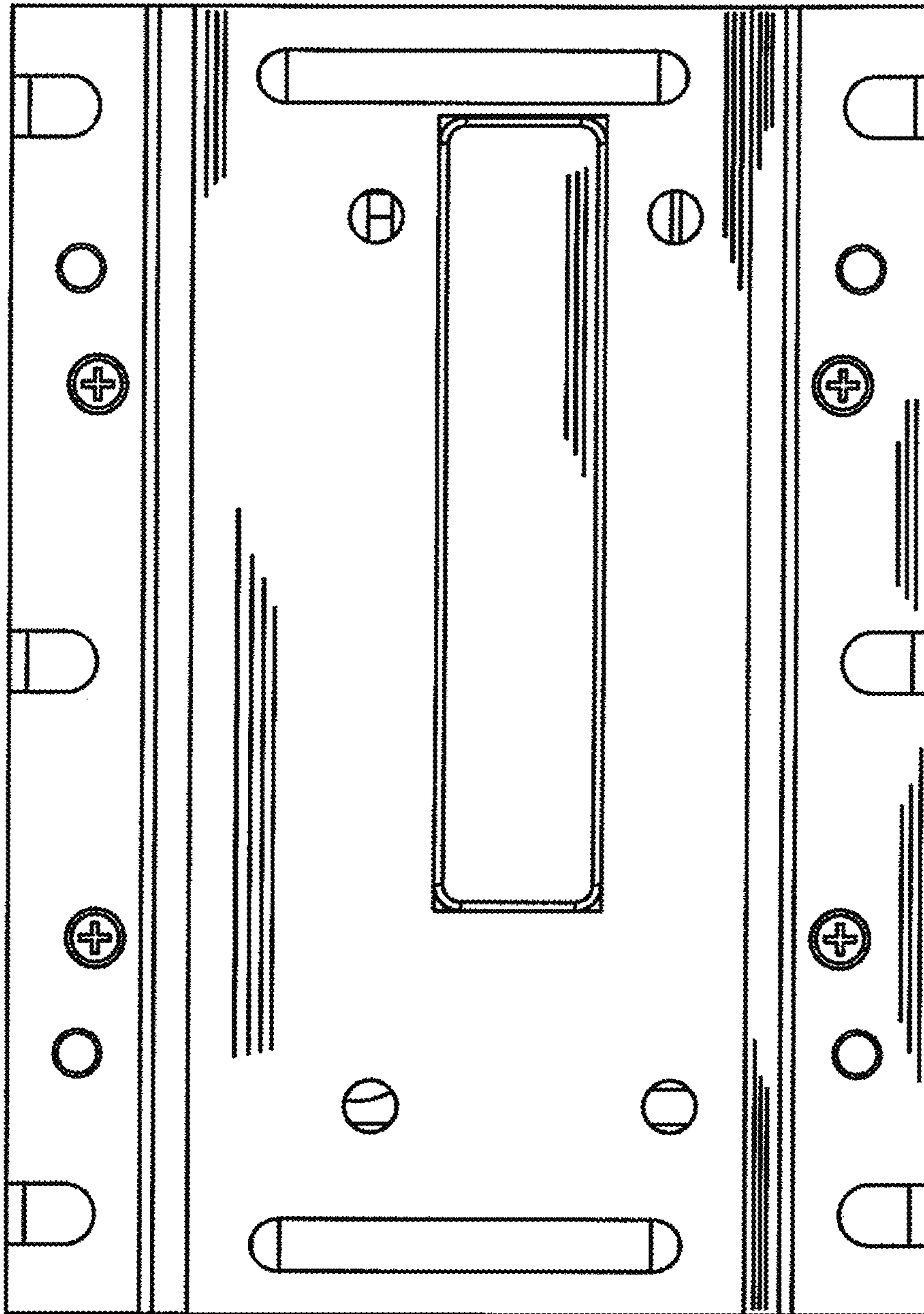


FIG. 6

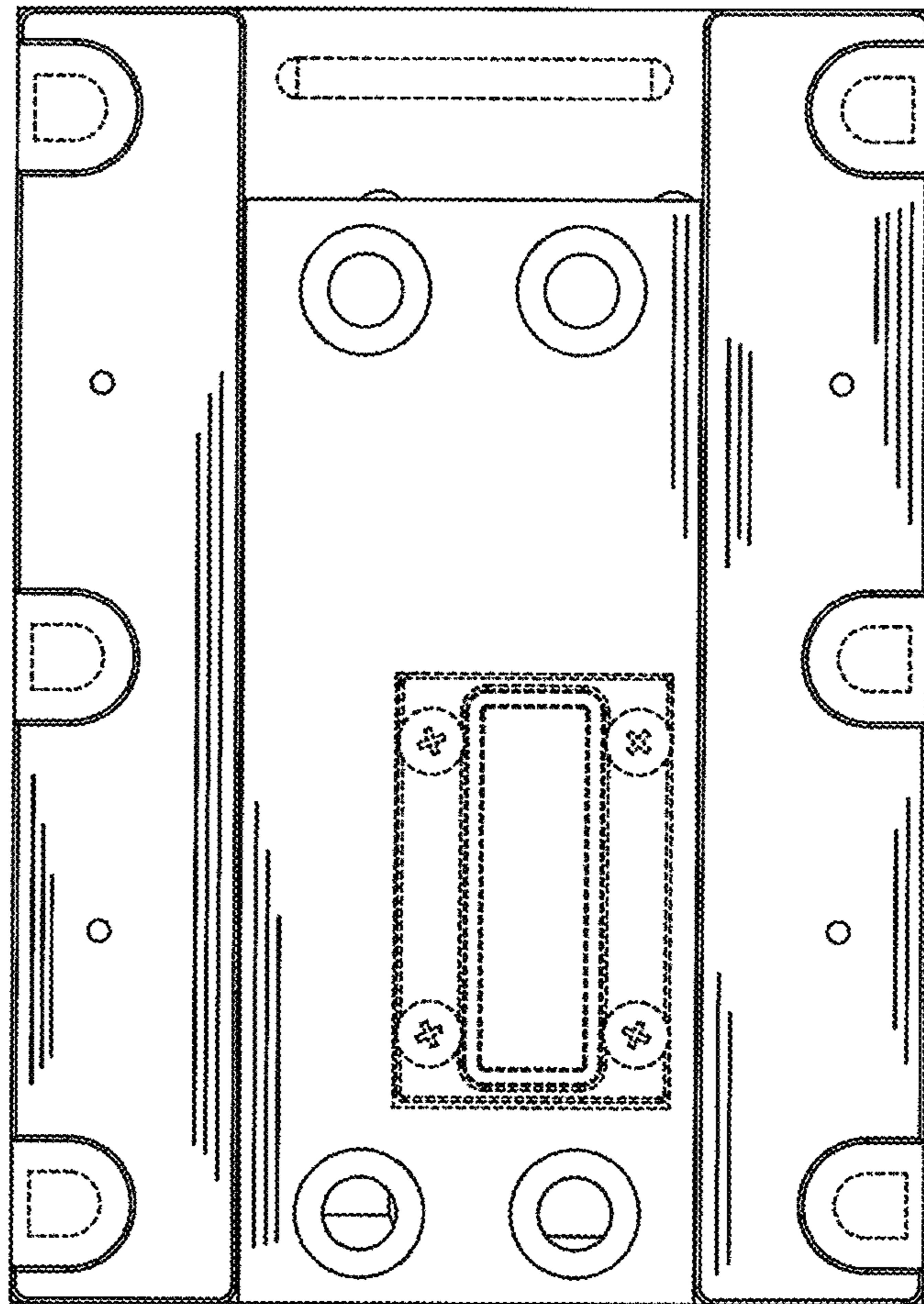


FIG. 7