



US00D793787S

(12) **United States Design Patent** (10) **Patent No.:** **US D793,787 S**
Welsh et al. (45) **Date of Patent:** **** Aug. 8, 2017**

(54) **PORTION OF A BACK SUPPORT FOR A CHAIR**

5,826,937 A 10/1998 Massara
 5,951,109 A 9/1999 Roslund et al.
 5,988,757 A 11/1999 Vishey et al.
 6,572,190 B2 6/2003 Koepke et al.
 6,910,736 B2 6/2005 White

(71) Applicant: **Haworth, Inc.**, Holland, MI (US)

(72) Inventors: **Michael W. Welsh**, Rockford, MI (US);
Kyle R. Fleet, Byron Center, MI (US);
Nicolai Czumaj-Bront, Grand Rapids,
 MI (US); **Martin W. Potrykus**,
 Bamberg (DE); **Markus Berenwinkel**,
 Fuerth (DE); **Carlo Shayeb**, Nuremberg
 (DE)

(Continued)

FOREIGN PATENT DOCUMENTS

CN 2168479 6/1994
 CN 1331940 1/2002

(Continued)

OTHER PUBLICATIONS

International Search Report and Written Opinion dated Jul. 29, 2014, International Application No. PCT/US2014/028161.

Primary Examiner — Mimoso De

(74) *Attorney, Agent, or Firm* — Warner Norcross & Judd LLP

(73) Assignee: **Haworth, Inc.**, Holland, MI (US)

(**) Term: **15 Years**

(21) Appl. No.: **29/554,565**

(22) Filed: **Feb. 12, 2016**

(51) **LOC (10) Cl.** **06-01**

(52) **U.S. Cl.**
USPC **D6/716.4**

(58) **Field of Classification Search**
 USPC D6/334-336, 364, 365, 366, 374, 379,
 D6/716, 716.1, 716.2, 716.3, 716.4
 CPC .. A47C 7/40; A47C 4/028; A47C 7/18; A47C
 7/38; A47C 7/46; B60N 2/66
 See application file for complete search history.

(57) **CLAIM**

The ornamental design for a portion of a back support for a chair, as shown and described.

DESCRIPTION

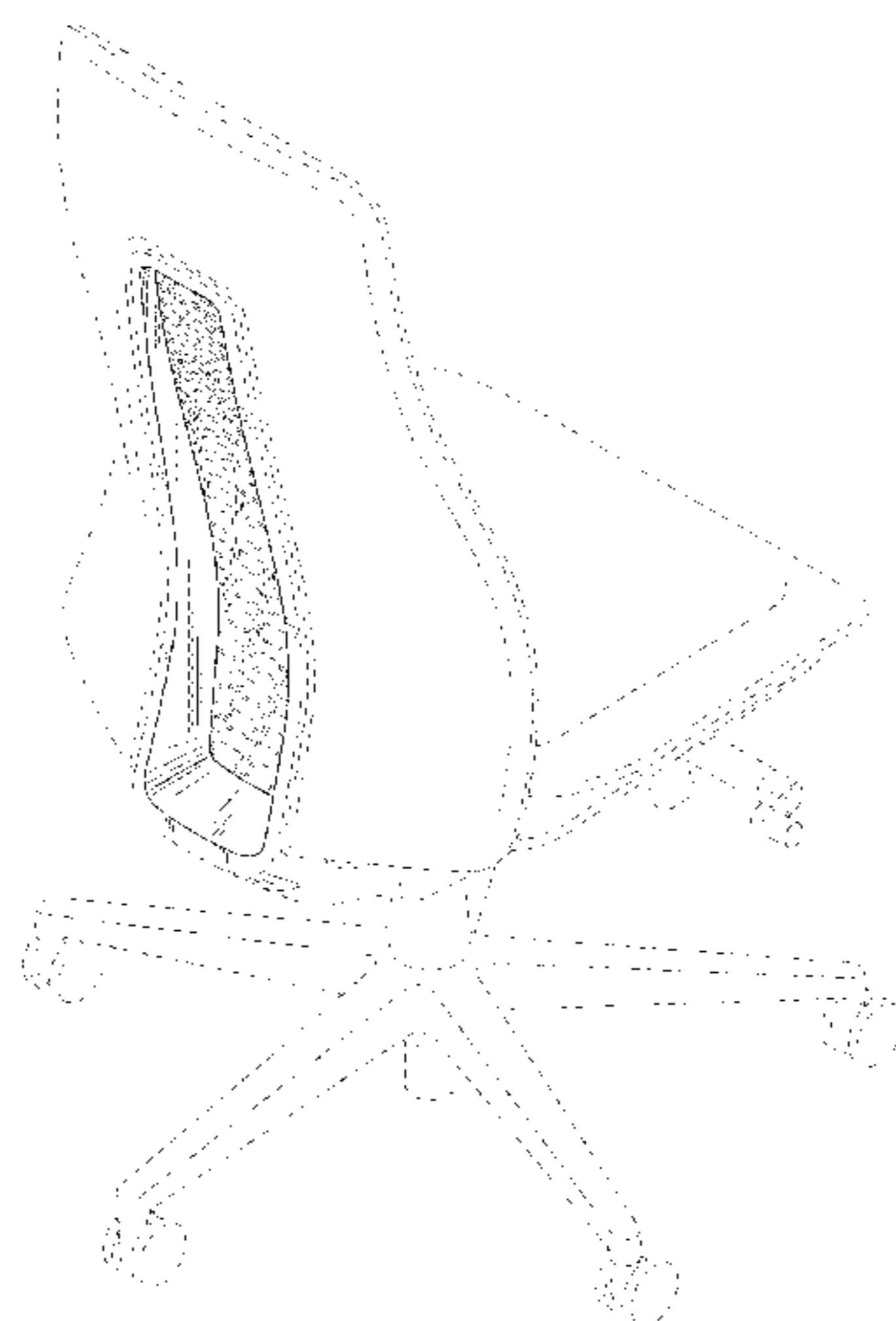
FIG. 1 is a front perspective view of the portion of a back support for a chair embodying the new design;
 FIG. 2 is a rear perspective view thereof;
 FIG. 3 is a right side view thereof;
 FIG. 4 is a left side view thereof;
 FIG. 5 is a front view thereof;
 FIG. 6 is a rear view thereof;
 FIG. 7 is a top view thereof; and,
 FIG. 8 is a bottom view thereof.
 FIGS. 1-8 show a seat support and portions of a seat back support in broken lines. The portions shown in broken lines are for environmental purposes only and form no part of the claimed design.

(56) **References Cited**

U.S. PATENT DOCUMENTS

3,353,869 A 11/1967 Getz et al.
 3,476,169 A 11/1969 Militano
 4,049,315 A 9/1977 Jacobson
 4,408,800 A 10/1983 Knapp
 4,556,254 A 12/1985 Roberts
 4,658,807 A 4/1987 Swain
 4,744,603 A 5/1988 Knoblock
 5,320,410 A 6/1994 Faiks et al.
 5,403,067 A 4/1995 Rajaratnam
 5,586,808 A 12/1996 Oelke
 5,645,321 A 7/1997 Seroldi

1 Claim, 7 Drawing Sheets



(56)

References Cited

U.S. PATENT DOCUMENTS

6,971,717	B1	12/2005	Rhodes	
7,032,971	B2	4/2006	Williams	
7,396,438	B2	7/2008	Scobie	
7,909,402	B2	3/2011	Chu et al.	
8,622,472	B2	1/2014	Rajaratnam	
D779,250	S *	2/2017	Welsh	D6/716.4
D779,252	S *	2/2017	Welsh	D6/716.4
D779,253	S *	2/2017	Welsh	D6/716.4
D782,241	S *	3/2017	Welsh	D6/716.4
D782,859	S *	4/2017	Welsh	D6/716.4
2001/0008955	A1	7/2001	Garth	
2002/0130540	A1	9/2002	Rajasingham	
2004/0007910	A1	1/2004	Skelly	
2004/0104610	A1	6/2004	Jaskot et al.	
2004/0256899	A1	12/2004	Moore et al.	
2006/0103214	A1	5/2006	Andersson et al.	
2006/0181126	A1	8/2006	Eysing	
2006/0255635	A1	11/2006	Iijima et al.	
2007/0102987	A1	5/2007	Chen	
2009/0102268	A1	4/2009	Schmitz et al.	
2009/0261644	A1	10/2009	Piretti	
2010/0187882	A1	7/2010	Chen	
2012/0061988	A1	3/2012	Jaranson et al.	
2012/0299350	A1	11/2012	Willingham	

2013/0221724	A1	8/2013	Fowler
2014/0062154	A1	3/2014	Minino et al.
2014/0117738	A1	5/2014	Takahashi et al.
2014/0183914	A1	7/2014	Cvek

FOREIGN PATENT DOCUMENTS

CN	1470420	1/2004
CN	1564666	1/2005
CN	1575142	2/2005
CN	101715310	5/2010
DE	102007002284	7/2008
DE	102008009509	8/2009
DE	102011100708	11/2012
EP	1232703	8/2002
EP	1693248	8/2006
EP	1785070	5/2007
EP	1911374	4/2008
EP	1946676	7/2008
WO	9212654	8/1992
WO	9848670	11/1998
WO	9848671	11/1998
WO	0022961	4/2000
WO	03063651	8/2003
WO	20120167940	12/2012

* cited by examiner

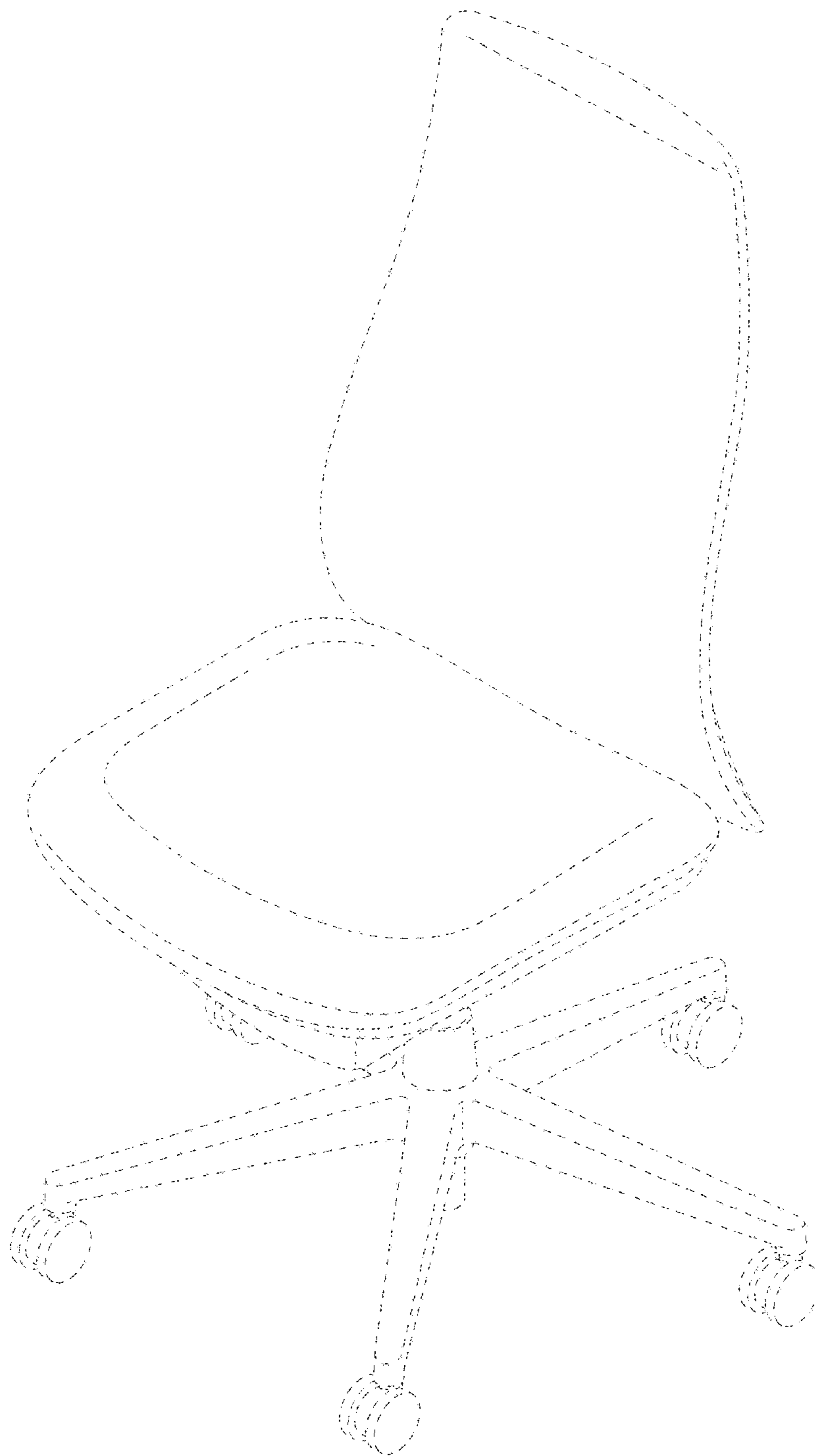


Fig. 1

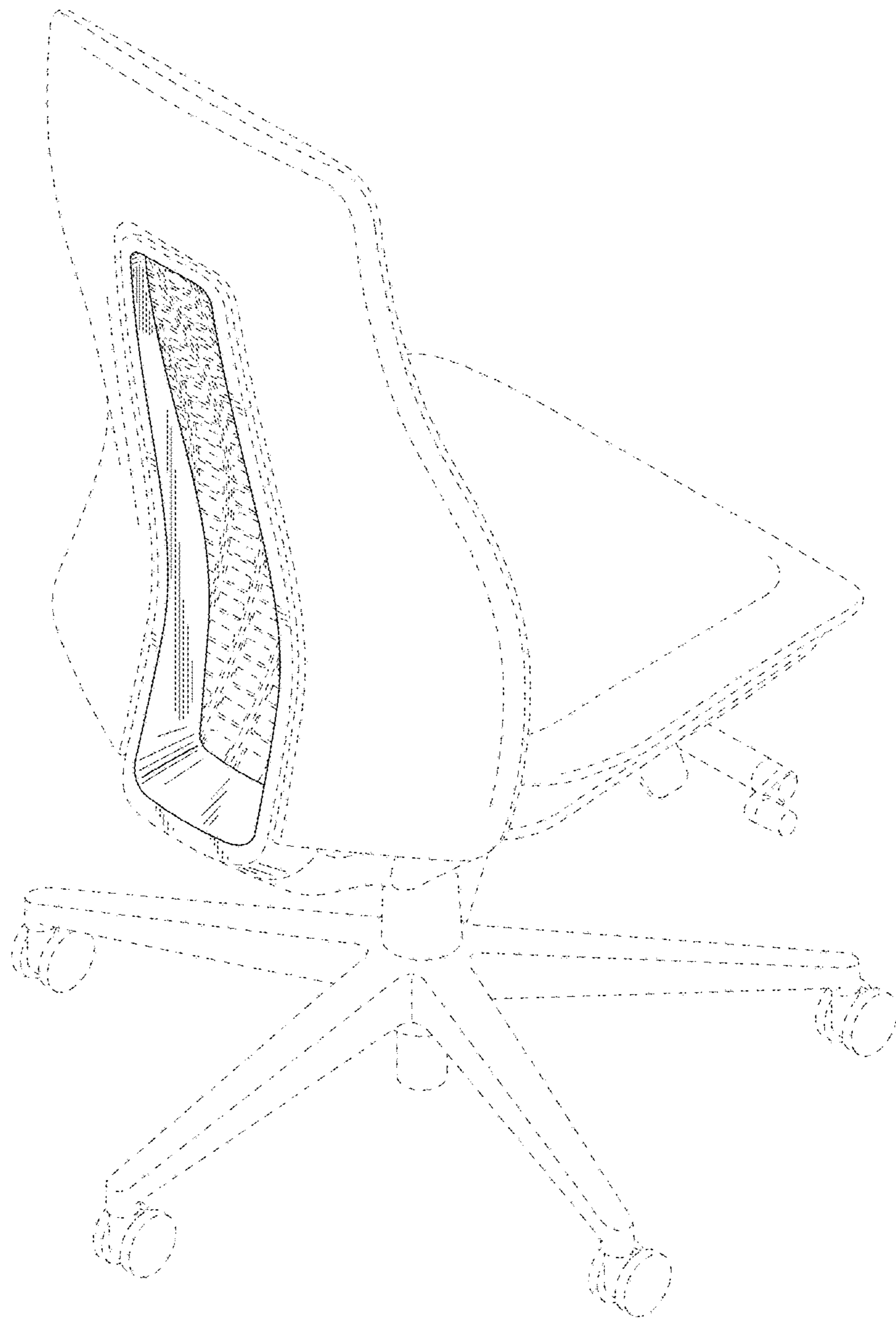


Fig. 2

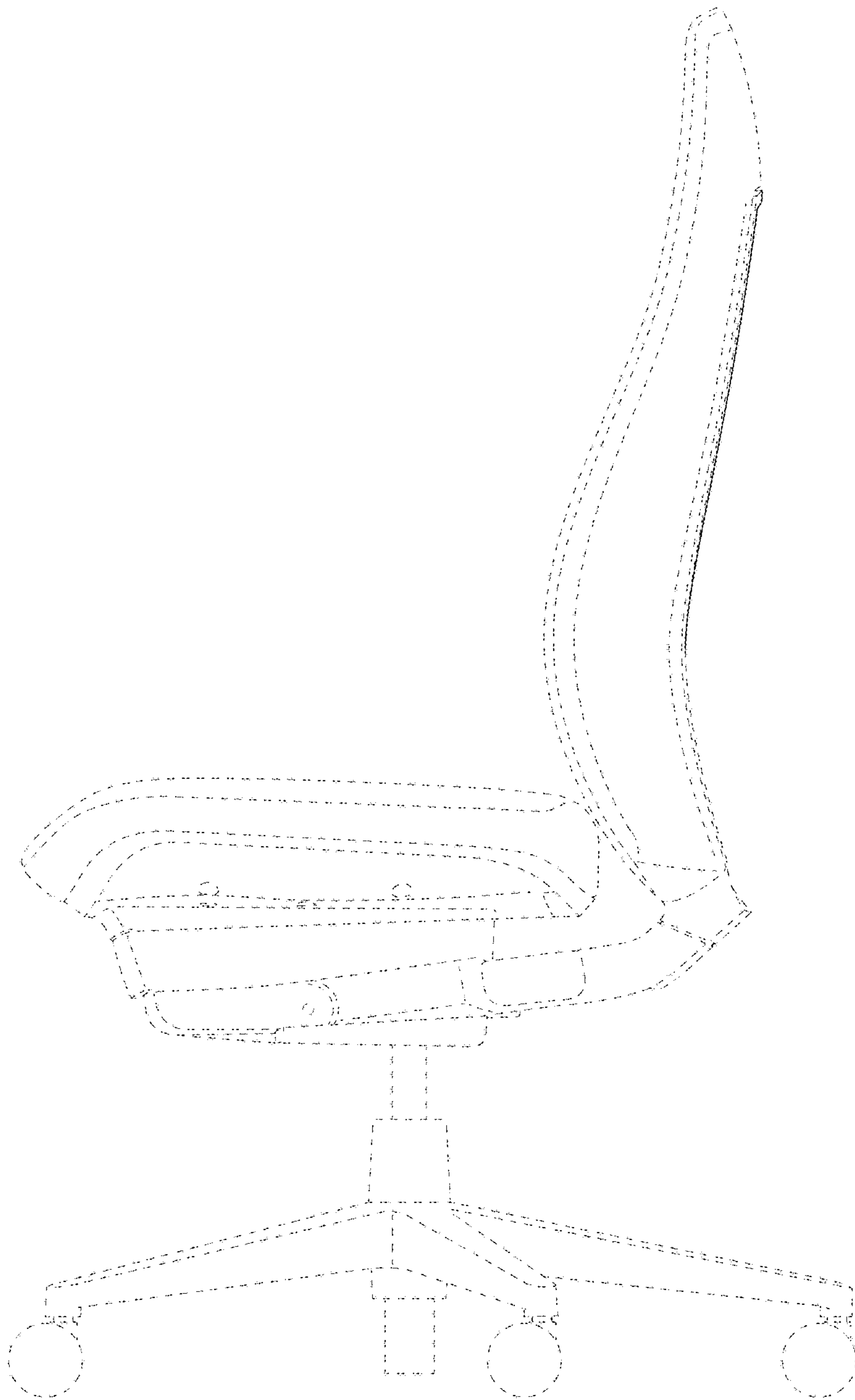


Fig. 3

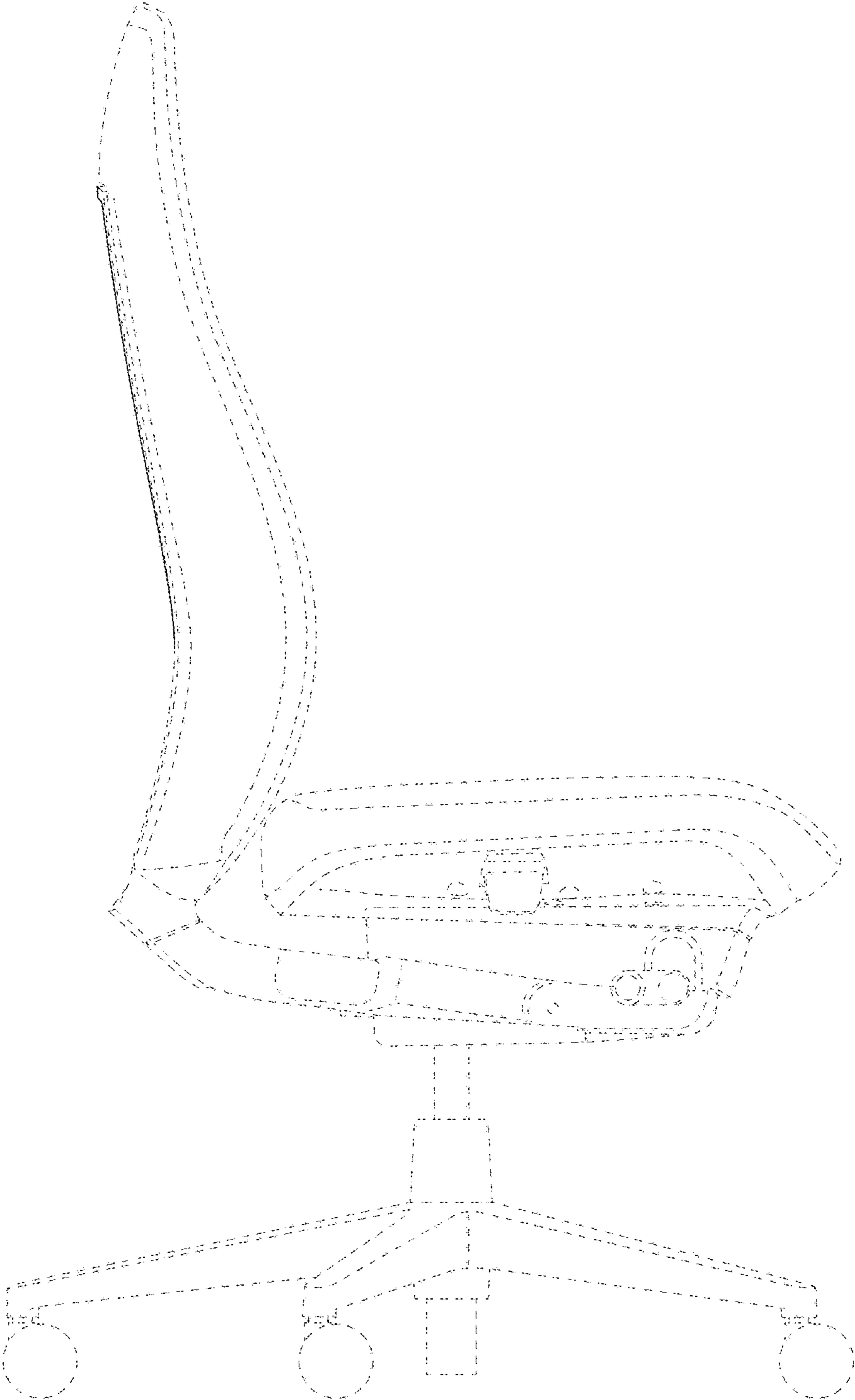


Fig. 4

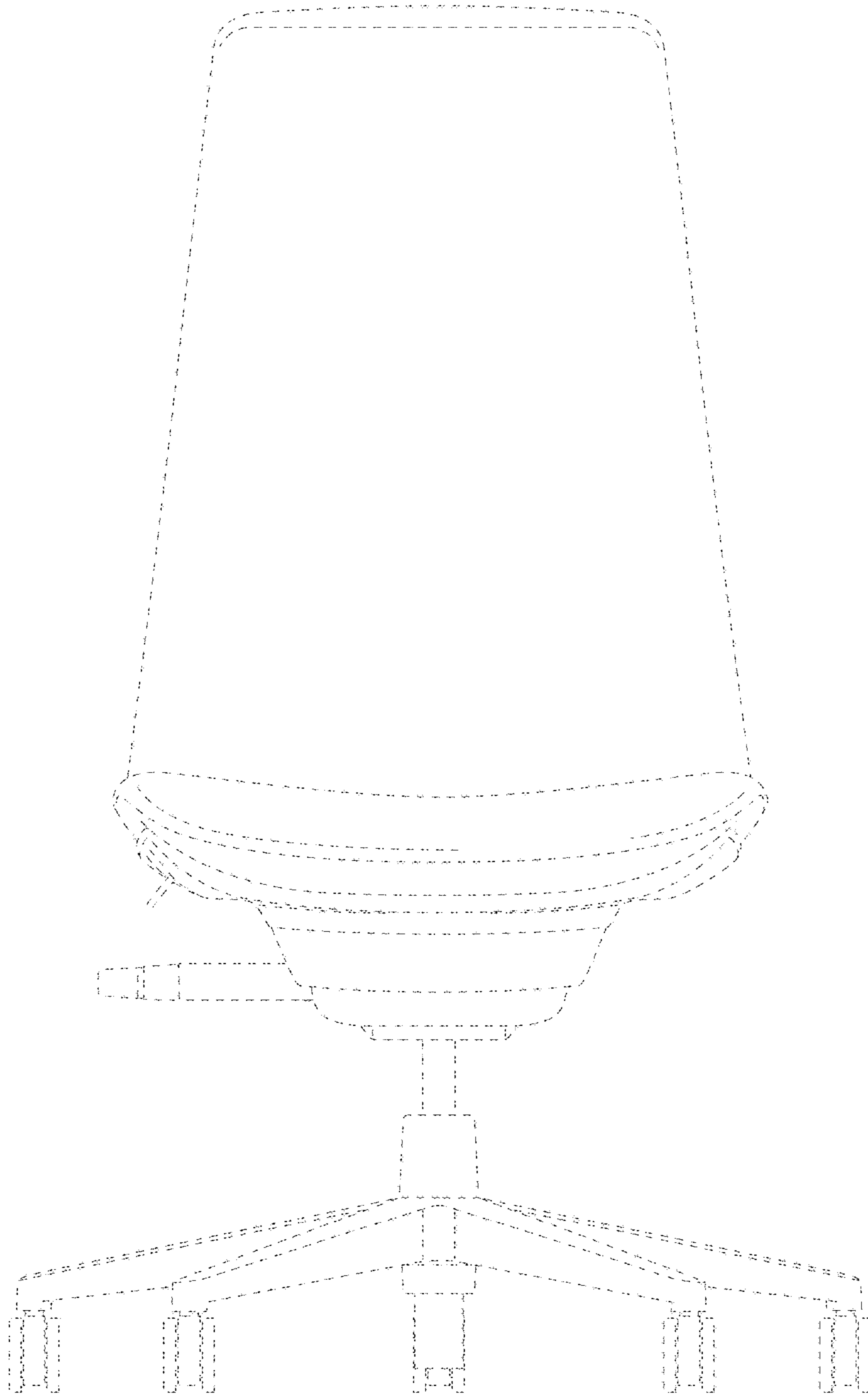


Fig. 5

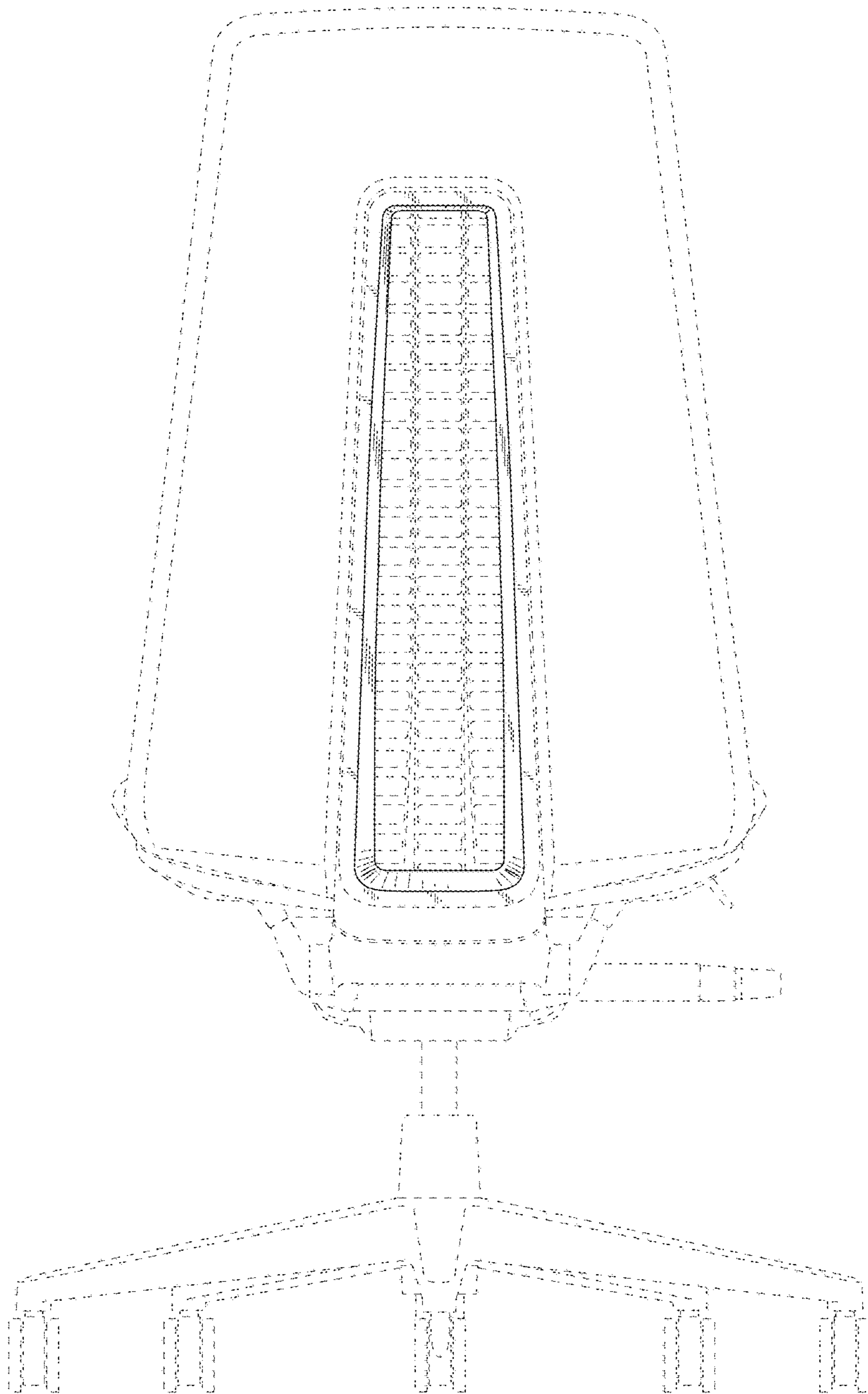


Fig. 6

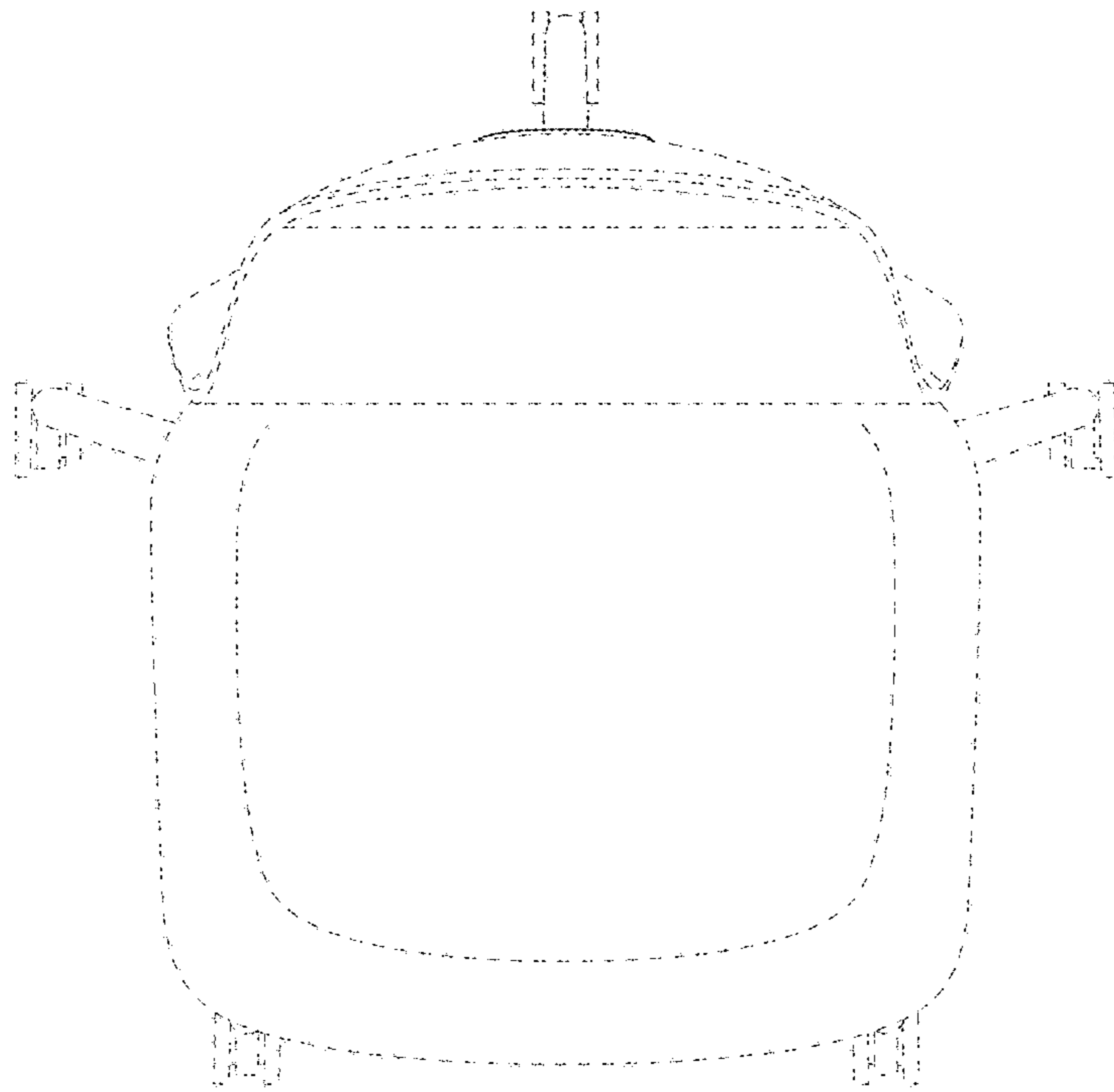


Fig. 7

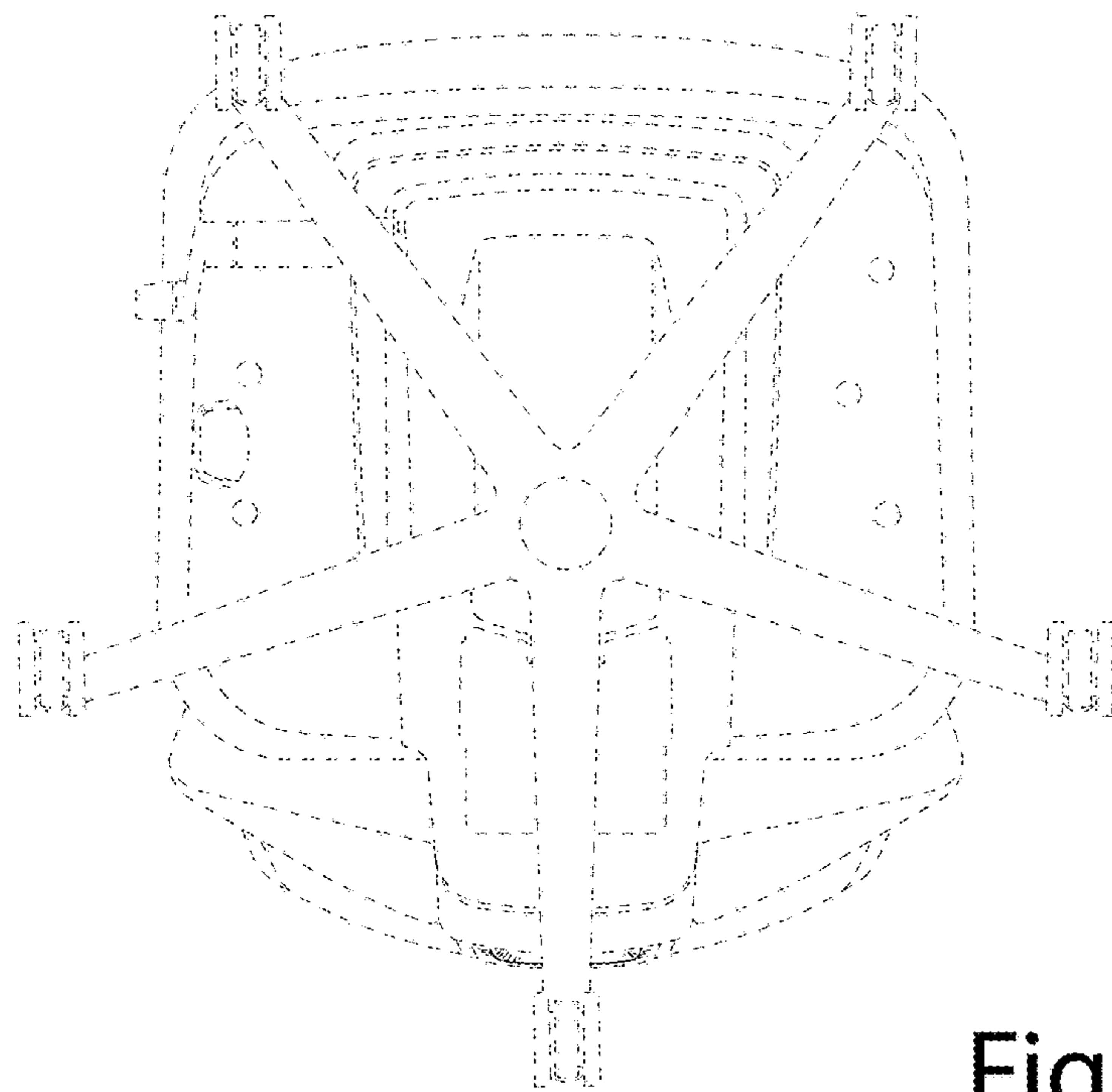


Fig. 8