



US00D793786S

(12) **United States Design Patent** (10) **Patent No.:** **US D793,786 S**  
**Rawls-Meehan et al.** (45) **Date of Patent:** **\*\* Aug. 8, 2017**

(54) **LEG ASSEMBLY FOR SUPPORT FRAME**

*Primary Examiner* — Cathron Brooks

(71) Applicant: **ASCION, LLC**, Bloomfield Hills, MI (US)

(74) *Attorney, Agent, or Firm* — Dinsmore & Shohl LLP

(72) Inventors: **Martin B. Rawls-Meehan**, Franklin, MI (US); **Andrew Z. Gong**, Waterford, MI (US); **Kyle Allen Nagelkirk**, Waterford, MI (US); **Leandro Vera**, Birmingham, MI (US)

(57) **CLAIM**

The ornamental design for a leg assembly for support frame, as shown and described.

(73) Assignee: **ASCION, LLC**, Bloomfield Hills, MI (US)

**DESCRIPTION**

(\*\*) Term: **15 Years**

(21) Appl. No.: **29/552,551**

(22) Filed: **Jan. 22, 2016**

(51) **LOC (10) Cl.** ..... **06-06**

(52) **U.S. Cl.**  
USPC ..... **D6/709**; D6/710

(58) **Field of Classification Search**  
USPC ... D6/383, 391, 392, 718, 708, 708.16, 709, D6/709.2, 709.18, 710; D21/471, 484, D21/486, 487

(Continued)

(56) **References Cited**

**U.S. PATENT DOCUMENTS**

400,033 A \* 3/1889 Alliger ..... A47C 3/38  
182/201  
1,914,511 A \* 6/1933 Jones ..... A47B 91/12  
16/42 T

(Continued)

**OTHER PUBLICATIONS**

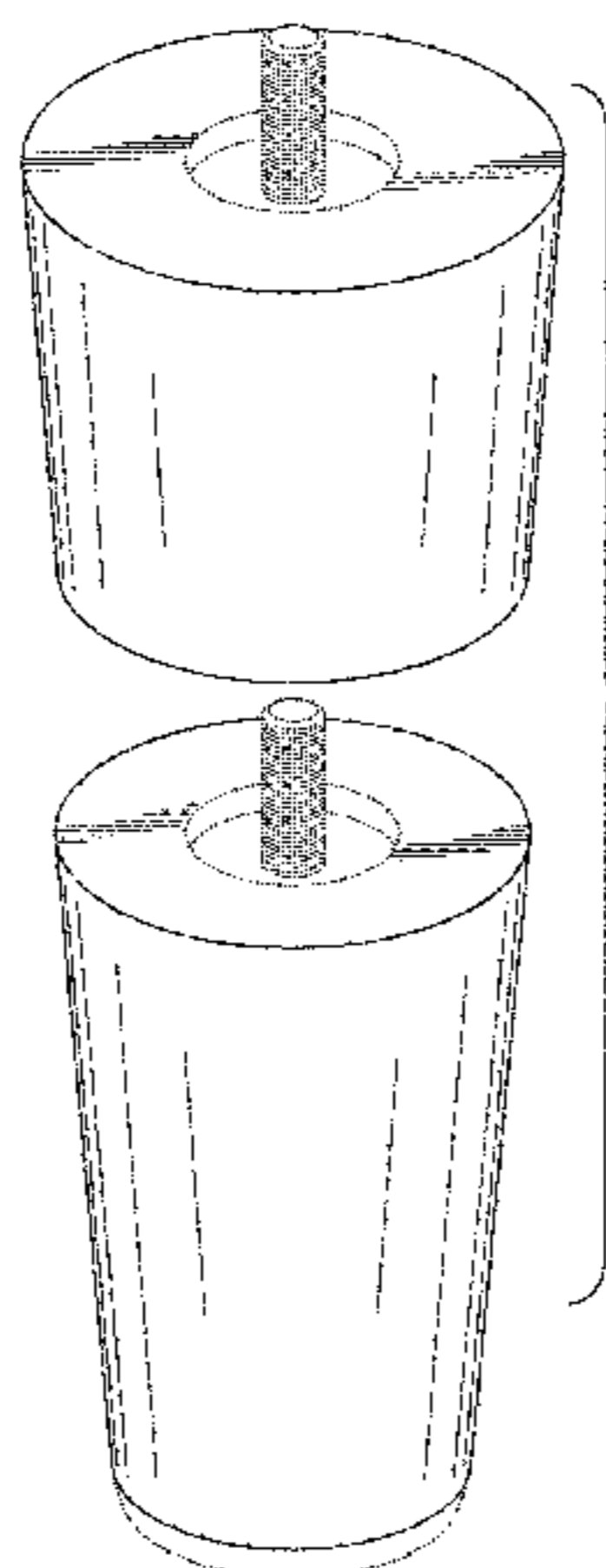
Estelle furniture legs, prettypegs.com, site visited Jan. 9, 2017, available from internet, <URL:http://www.prettypegs.com/us/products/12-estelle-170.html>.\*

(Continued)

FIG. 1 is a perspective view of a leg assembly in accordance with a first embodiment of the present invention, with the two components separated;  
FIG. 2 is a perspective view of the leg assembly of FIG. 1, with the two components connected;  
FIG. 3 is a top view of the two components of the leg assembly of FIG. 1, positioned side by side;  
FIG. 4 is a bottom view of the two components of the leg assembly of FIG. 1, positioned side by side;  
FIG. 5 is a side view of the leg assembly of FIG. 1, with the two components connected, the other side views being the same;  
FIG. 6 is a side view of the two components of the leg assembly of FIG. 1, positioned one above the other, the other side views being the same;  
FIG. 7 is a perspective view of a leg assembly in accordance with a second embodiment of the present invention, with the two components separated;  
FIG. 8 is a perspective view of the leg assembly of FIG. 7, with the two components connected;  
FIG. 9 is a top view of the two components of the leg assembly of FIG. 7, positioned side by side;  
FIG. 10 is a bottom view of the two components of the leg assembly of FIG. 7, positioned side by side;  
FIG. 11 is a side view of the leg assembly of FIG. 7, with the two components connected, the other side views being the same; and,  
FIG. 12 is a side view of the two components of the leg assembly of FIG. 7, positioned one above the other, the other side views being the same.

The broken lines shown in the Figures that are immediately adjacent to the shaded areas and define unshaded regions represent the bounds of the claim. All other broken lines, including the features within broken line boundaries, are

(Continued)



directed to portions of the leg assembly. The broken lines form no part of the claimed design. Surface shading lines are provided to show surface contour and do not represent surface ornamentation.

**1 Claim, 8 Drawing Sheets**

**(58) Field of Classification Search**

CPC ... A47B 13/021; A47B 2091/007; A47B 9/16; A47B 91/00; A47B 91/16; A47B 95/00; A47C 7/00; A47C 19/027; A47C 19/045; A47C 3/36; A47C 3/38

See application file for complete search history.

**(56) References Cited**

U.S. PATENT DOCUMENTS

2,633,898	A *	4/1953	Worgan	.....	A47C 3/38
					16/42 R
2,738,246	A *	3/1956	Hogan, Jr.	.....	A47B 13/021
					248/188.8
2,750,709	A *	6/1956	Saverino	.....	A47B 91/02
					248/188.2
2,826,470	A *	3/1958	Denton	.....	A47B 13/021
					248/188.8
2,842,417	A *	7/1958	Scanlon	.....	A47B 91/00
					248/188.8
2,868,602	A *	1/1959	Drezner	.....	F16B 12/48
					248/188.8
2,893,164	A *	7/1959	Manatt	.....	A47B 91/12
					248/188.2
2,915,350	A *	12/1959	Sinclair	.....	A47B 13/021
					108/156
3,194,593	A *	7/1965	Hendry	.....	A47B 91/02
					248/188.8
3,312,440	A *	4/1967	Zelony	.....	A47B 9/08
					248/188.8
3,516,633	A *	6/1970	Blackwood	.....	A47B 13/021
					248/188

3,869,105	A *	3/1975	Daniels	.....	A47B 91/00
					16/18 R
4,042,199	A *	8/1977	Winkler	.....	A47B 91/00
					248/188.8
5,267,713	A *	12/1993	Lewis	.....	A47B 9/00
					108/144.11
5,425,214	A *	6/1995	Truelove	.....	E04B 5/02
					52/126.1
5,647,286	A *	7/1997	Dunn	.....	A47B 9/14
					108/147.21
5,791,612	A *	8/1998	King	.....	A47B 91/026
					248/188.2
D404,992	S *	2/1999	Sittig	.....	D8/374
D423,340	S *	4/2000	Sittig	.....	D8/374
D498,412	S *	11/2004	Pehta	.....	D8/374
D665,248	S *	8/2012	Vu	.....	D6/709
D736,607	S *	8/2015	Sheldon	.....	D8/374
9,451,833	B2 *	9/2016	Rawls-Meehan	.....	A61G 7/015
2002/0043596	A1 *	4/2002	Forsberg	.....	A47B 9/00
					248/188.5
2002/0174620	A1 *	11/2002	Binnebose	.....	A47B 55/00
					52/698
2003/0025051	A1 *	2/2003	MacDonald	.....	A47B 91/16
					248/188.4
2003/0213665	A1 *	11/2003	Min	.....	A47C 1/06
					188/322.19
2010/0171012	A1 *	7/2010	Tseng	.....	A47B 9/14
					248/188.2
2011/0180503	A1 *	7/2011	Kaluzavich	.....	A47B 97/00
					211/134
2015/0265057	A1 *	9/2015	Atayan	.....	A47C 7/008
					297/445.1

OTHER PUBLICATIONS

Hardwood Bed Riser, Wayfair.com, site visited Jan. 9, 2017, available from internet, <URL: <http://beadsbykuby.co/table-leg-risers/set-6-large-oversize-6-furniture-risers-for-bed-leg-bl>>.\*  
 Furniture Legs, Uncle Bob's Workshop, site visited Sep. 29, 2016, available from internet, <URL:<http://unclebobsworkshop.webasyst.net/shop/product/furniture-legs/?sent=yes>>.\*

\* cited by examiner

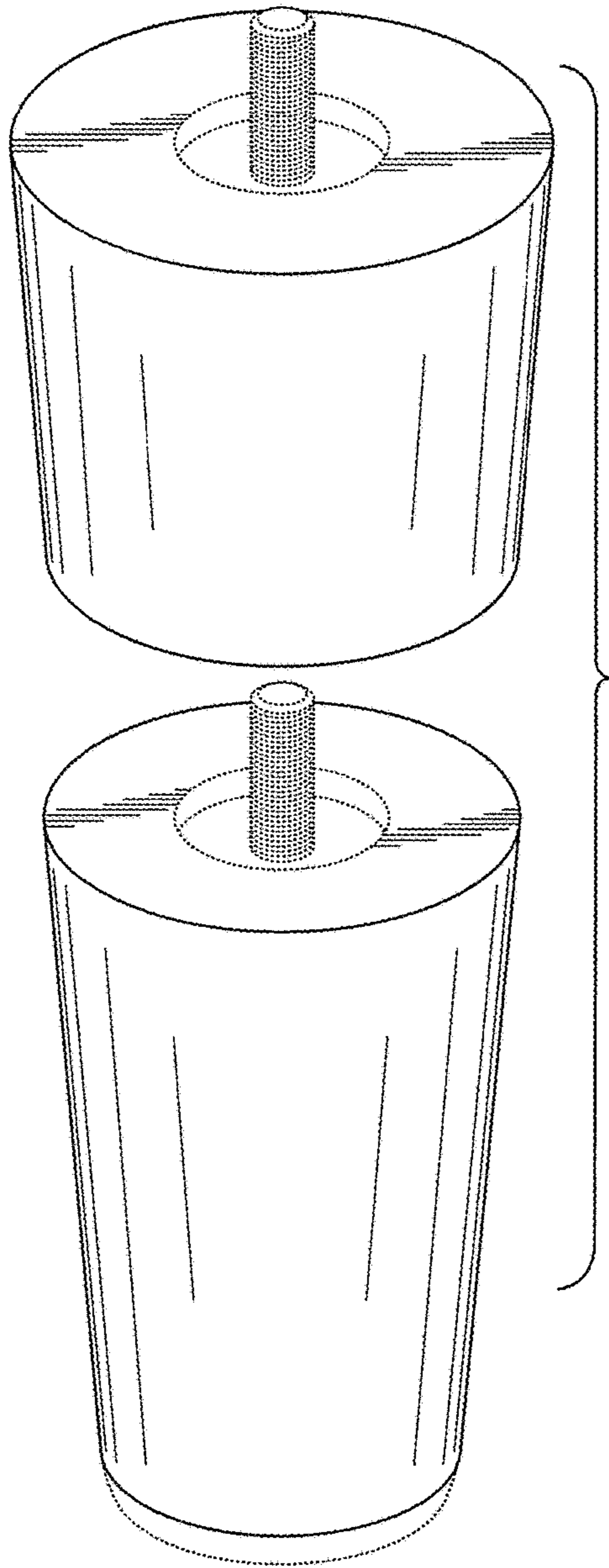


FIG. 1

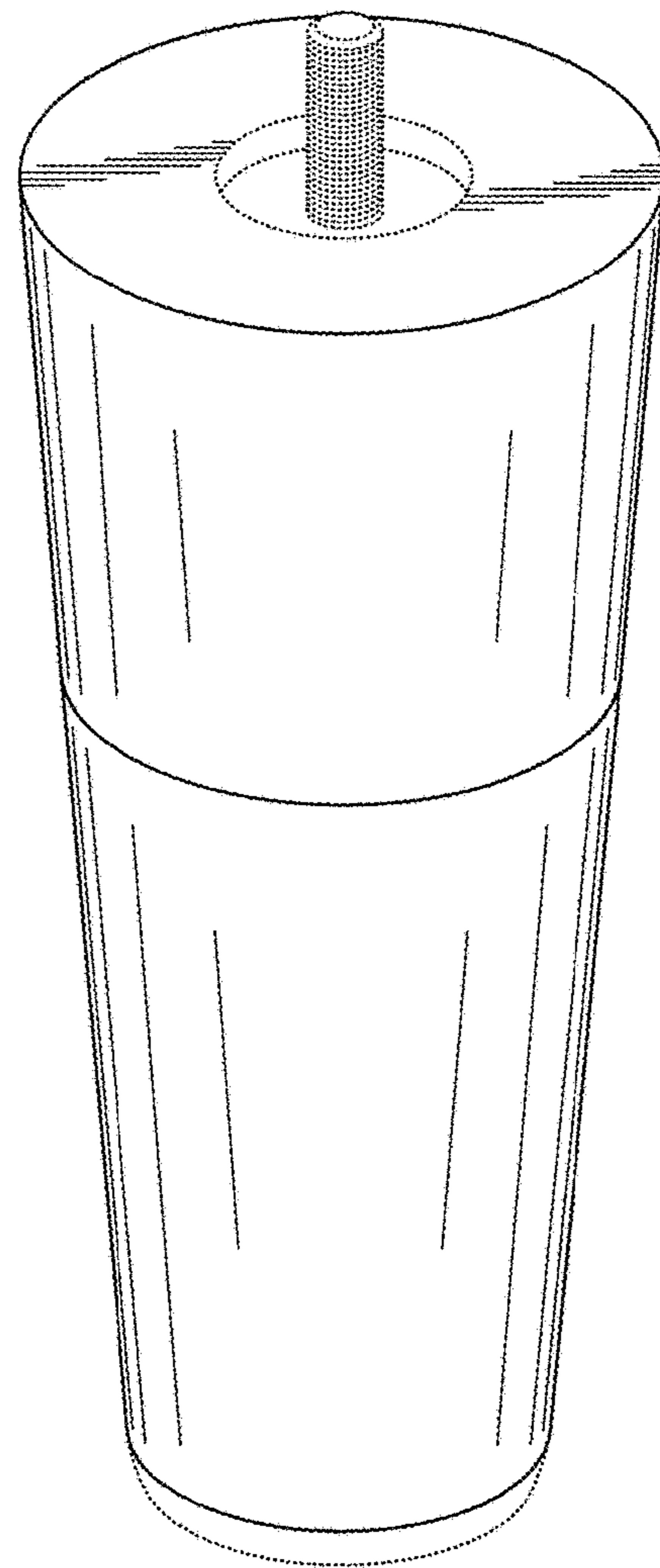
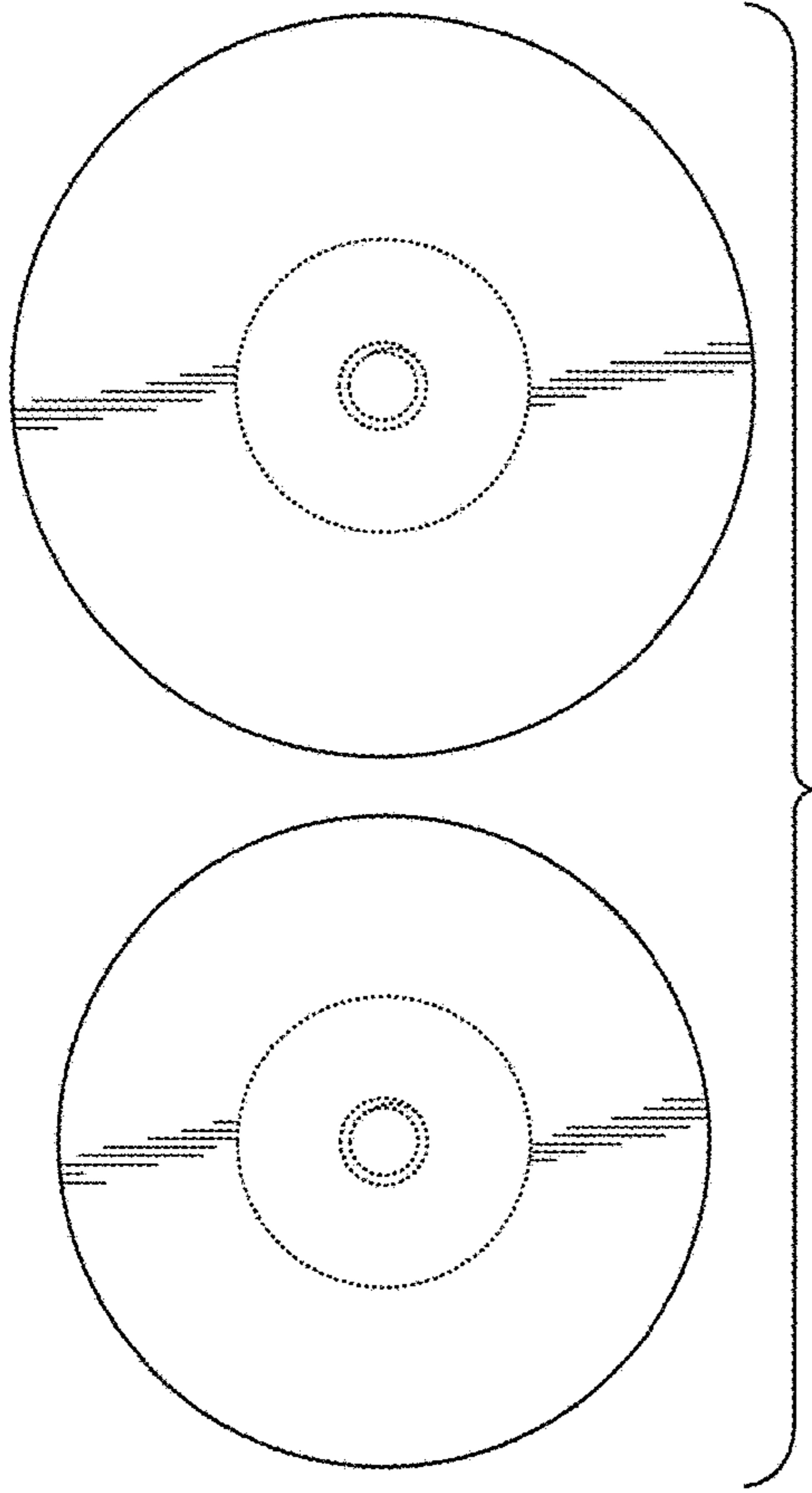
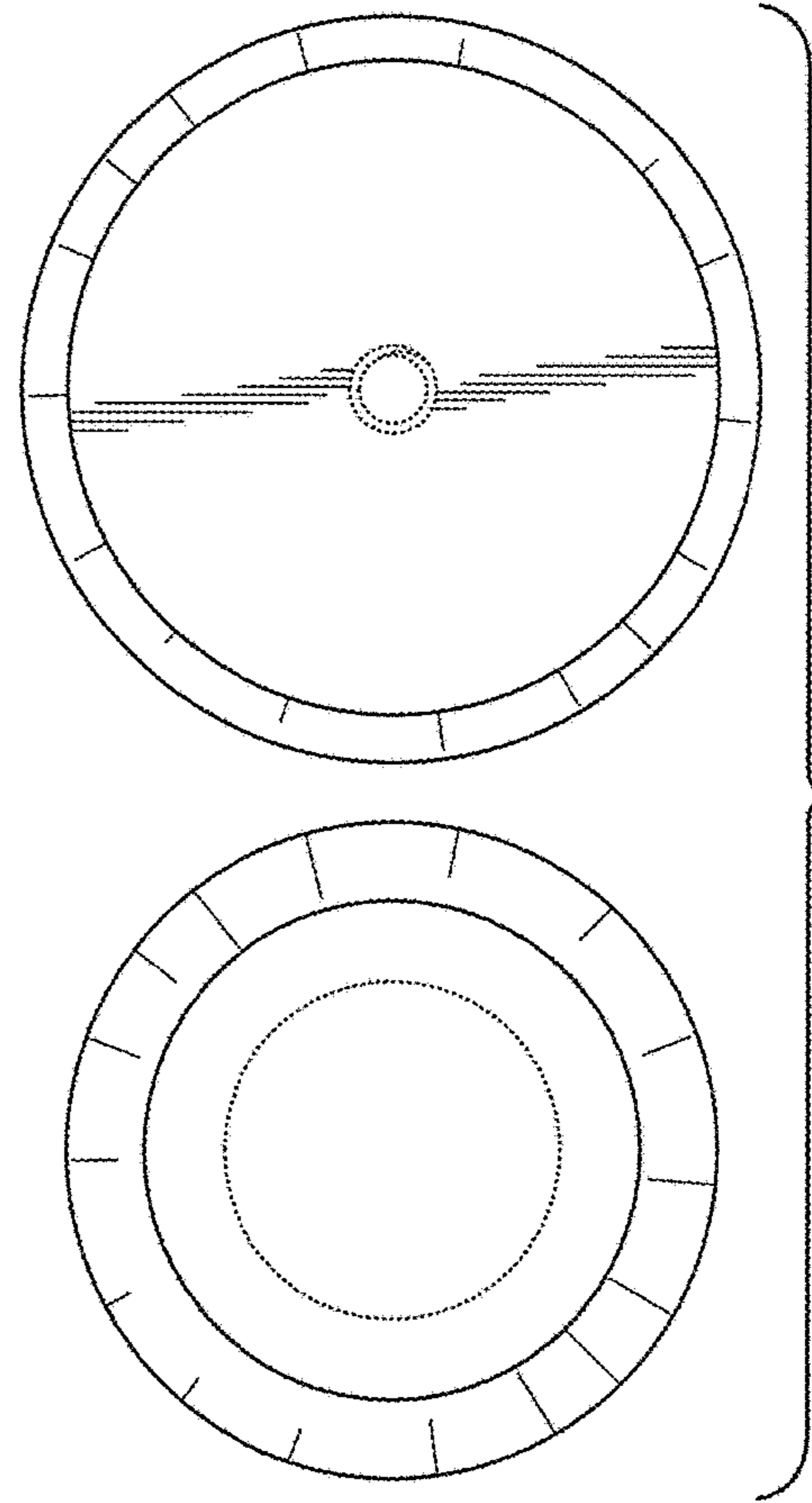


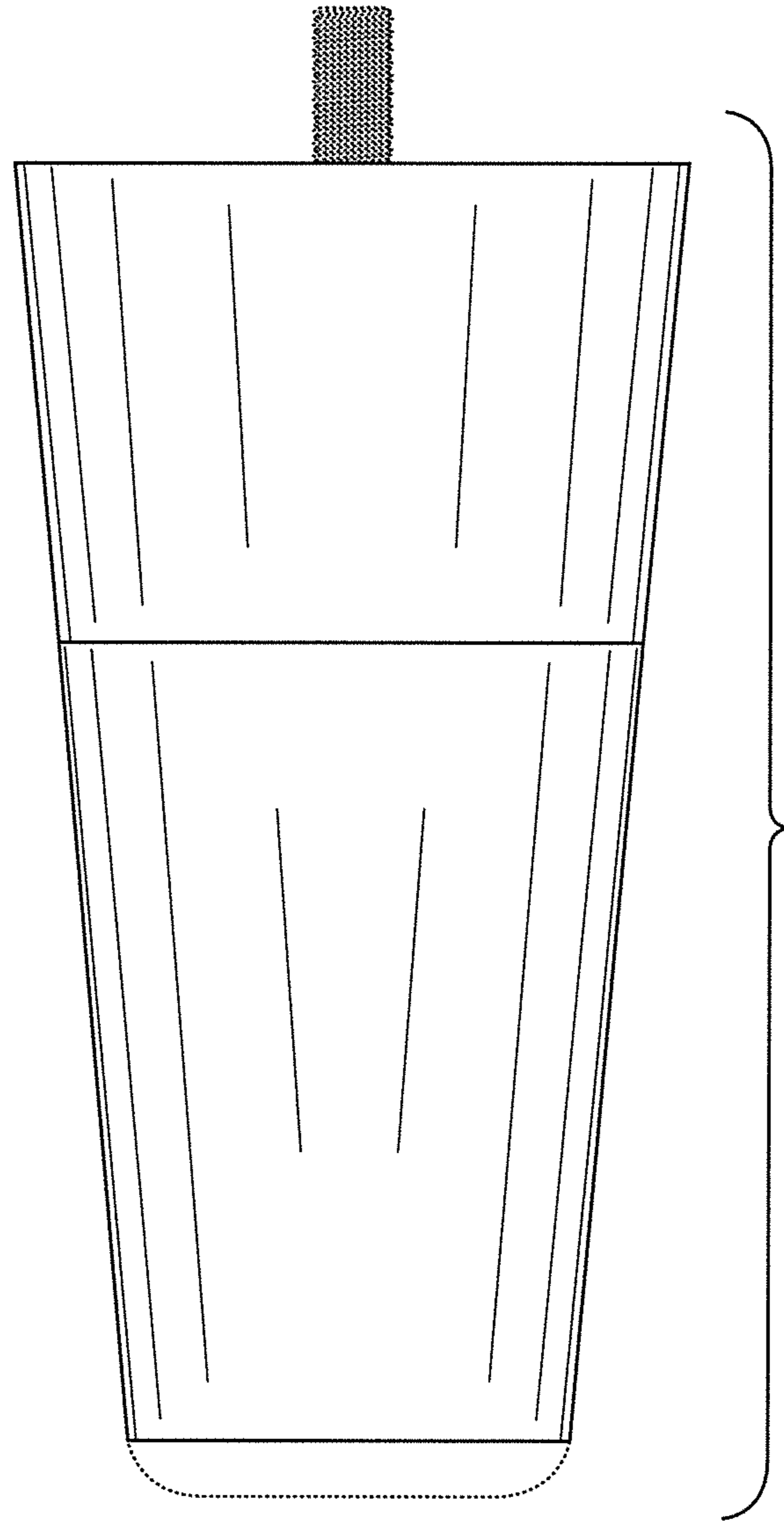
FIG. 2



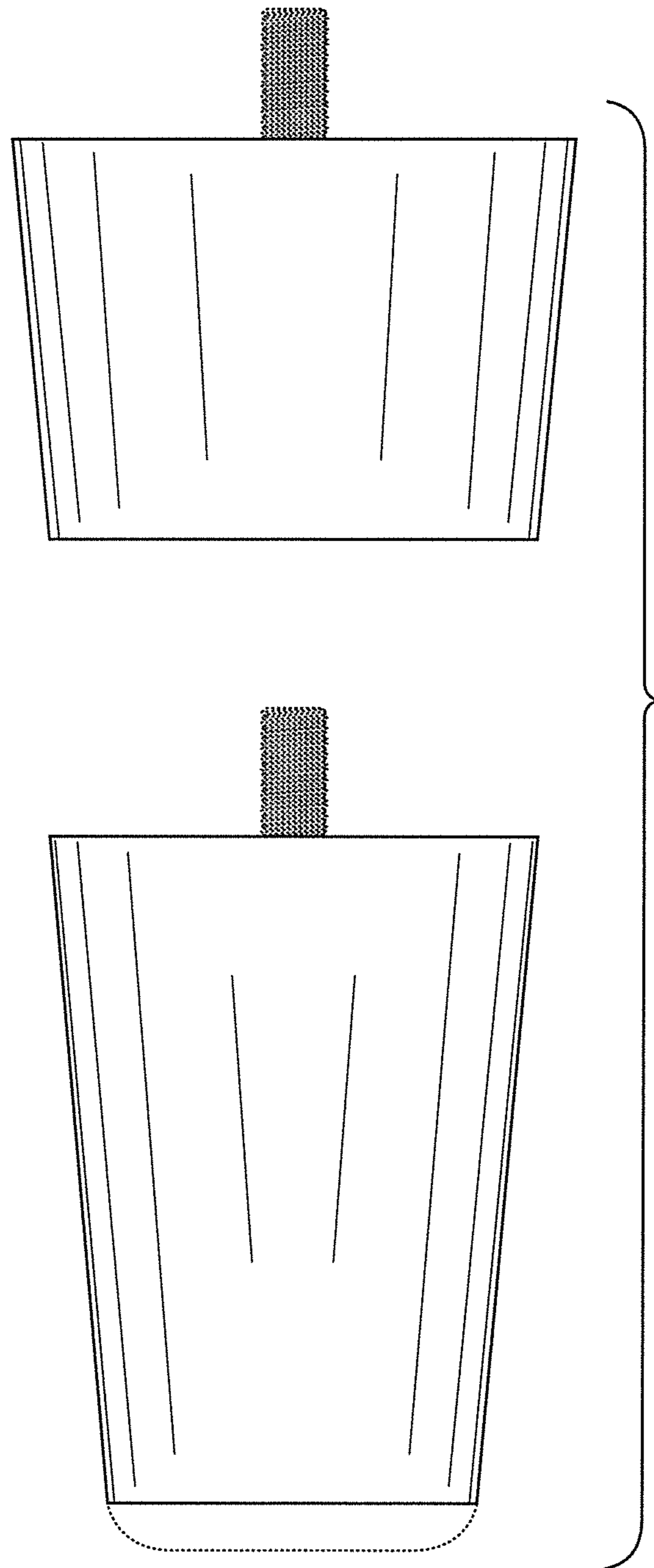
**FIG. 3**



**FIG. 4**



**FIG. 5**



**FIG. 6**

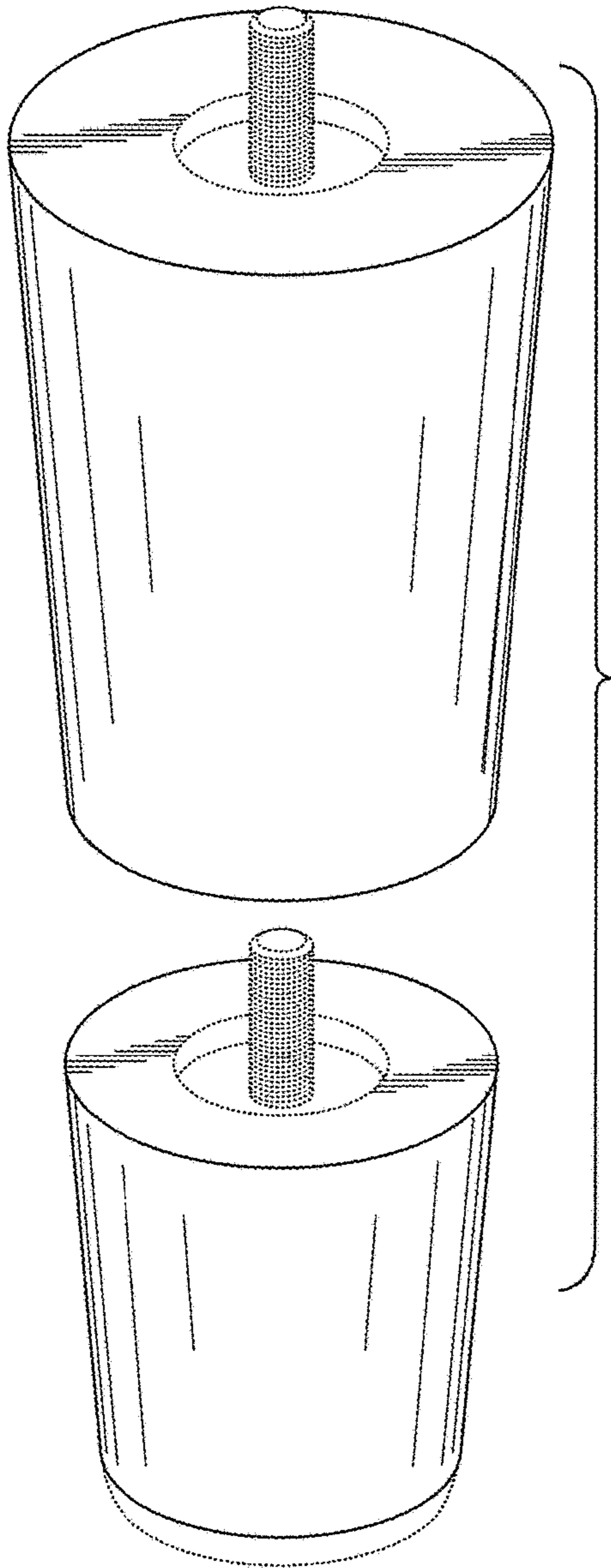


FIG. 7

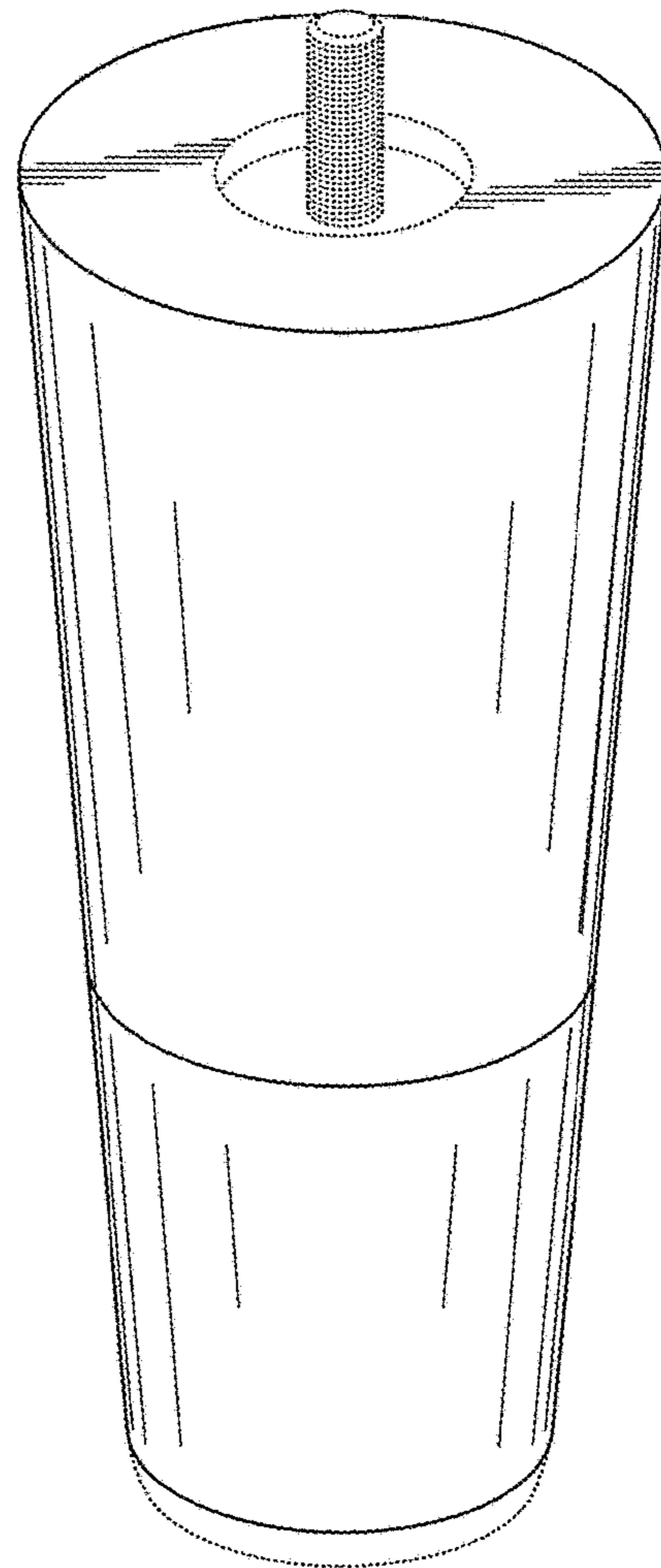
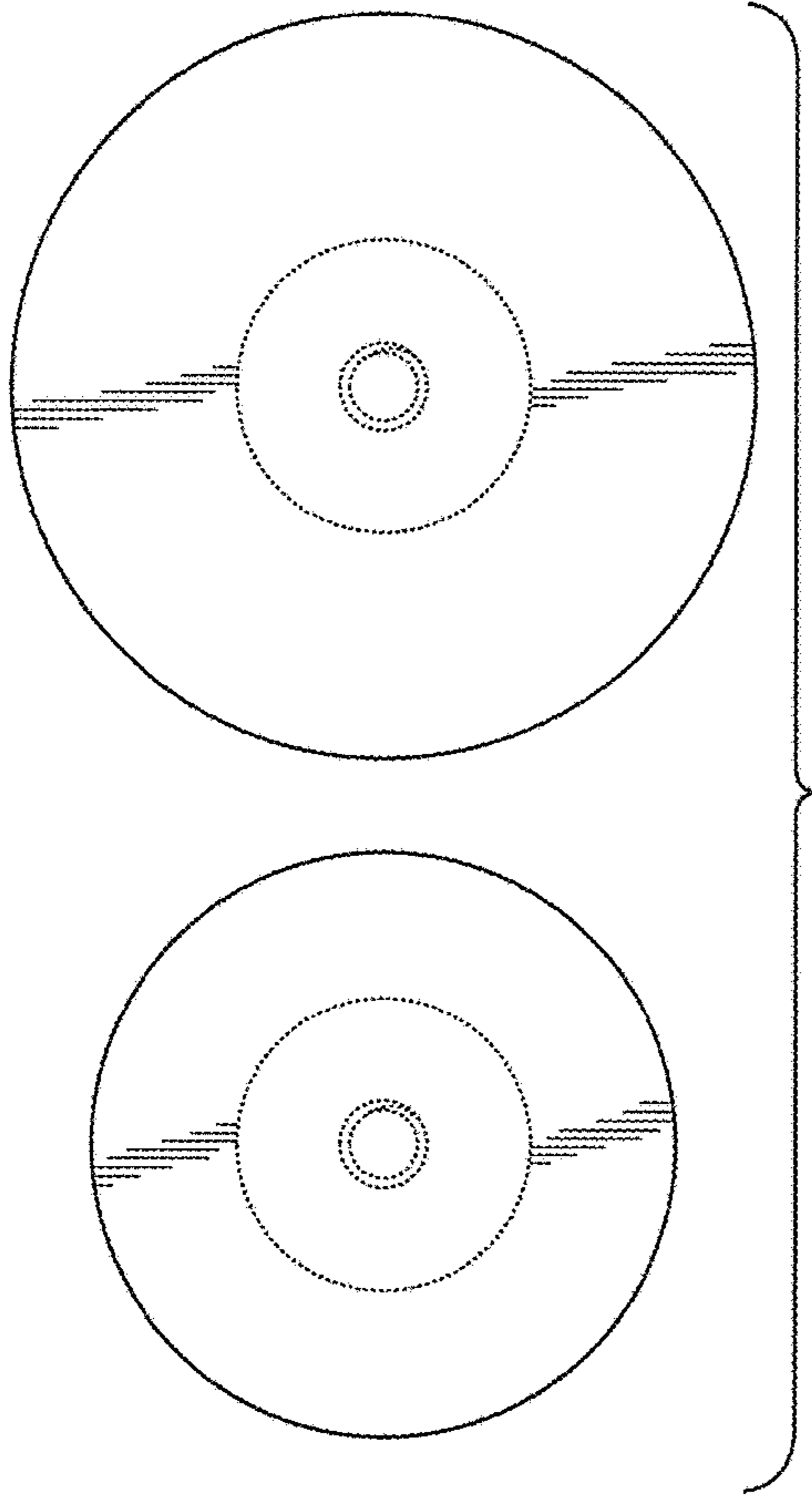
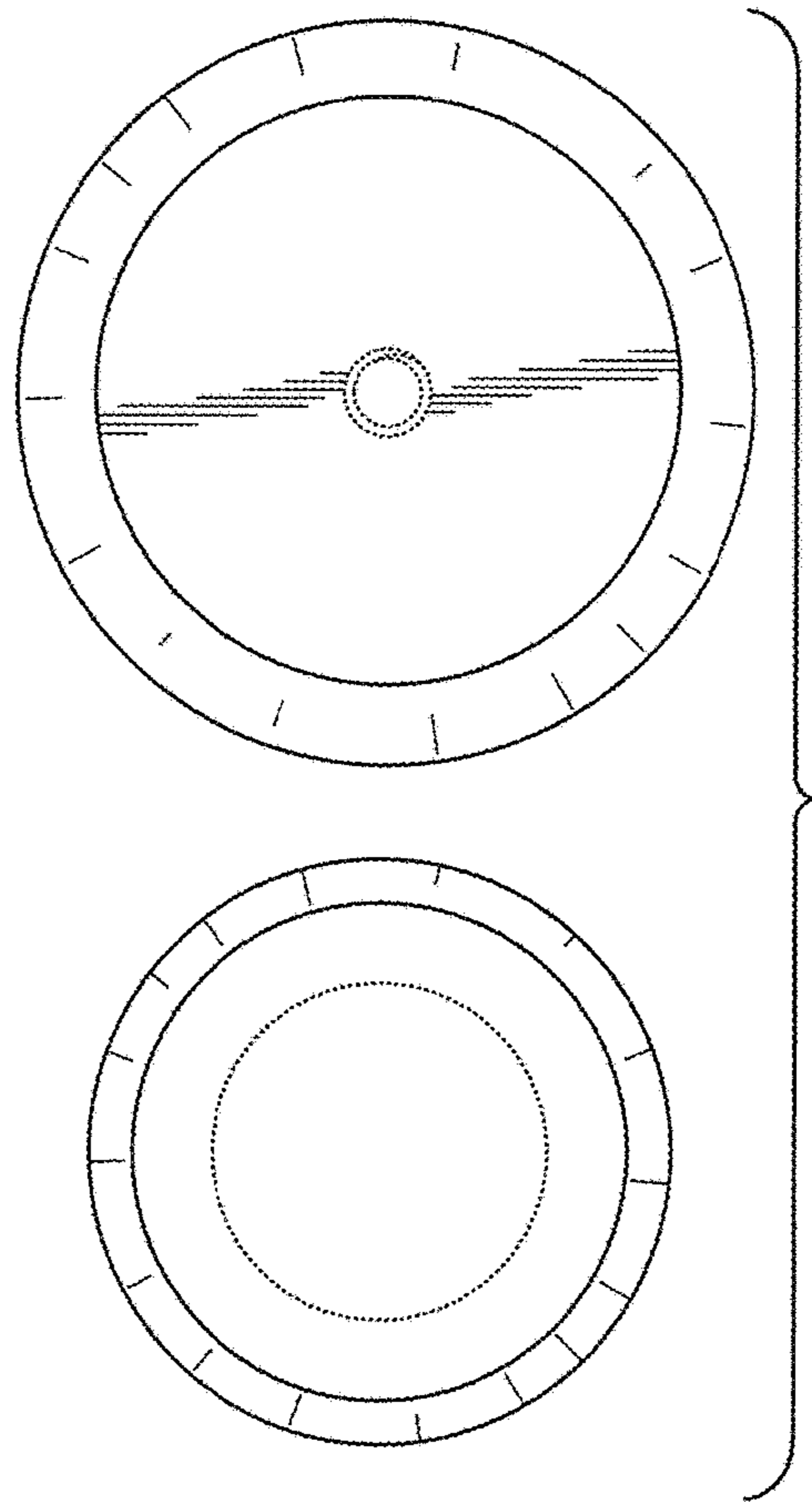


FIG. 8



**FIG. 9**



**FIG. 10**



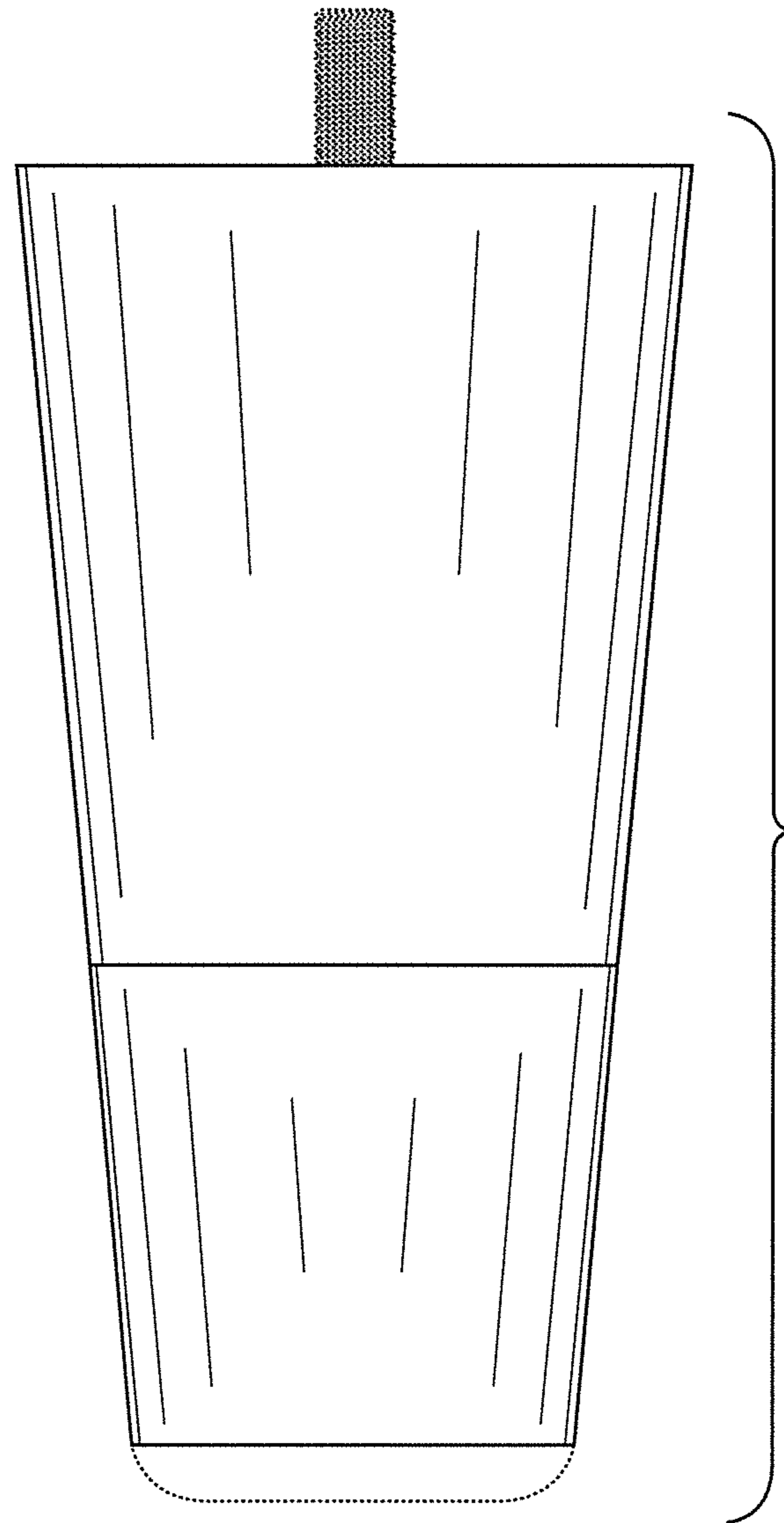


FIG. 11

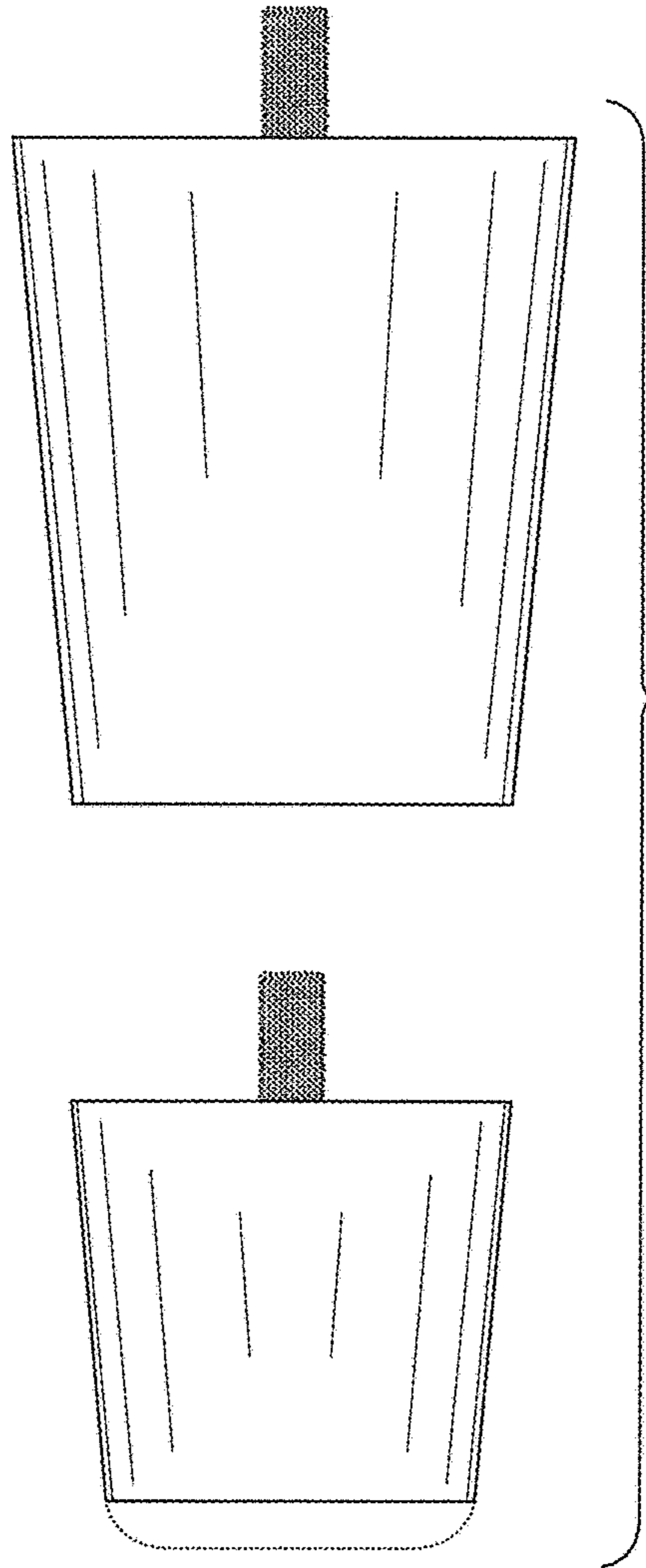


FIG. 12