



US00D793785S

(12) **United States Design Patent** (10) **Patent No.:** **US D793,785 S**  
**Ediger** (45) **Date of Patent:** **\*\* Aug. 8, 2017**

(54) **PEDESTAL BASE**  
(71) Applicant: **VORNADO AIR LLC**, Andover, KS  
(US)  
(72) Inventor: **Glen W. Ediger**, North Newton, KS  
(US)  
(73) Assignee: **VORNADO AIR LLC**, Andover, KS  
(US)  
(\*\*) Term: **15 Years**  
(21) Appl. No.: **29/548,187**  
(22) Filed: **Dec. 10, 2015**  
(51) **LOC (10) Cl.** ..... **06-01**  
(52) **U.S. Cl.**  
USPC ..... **D6/708.23**  
(58) **Field of Classification Search**  
USPC ..... D6/334–336, 364, 365, 366, 708.23,  
D6/708.24, 708.25  
CPC ..... A47C 7/002; A47C 7/004; A47C 7/006;  
A47C 3/20; A47C 3/24  
See application file for complete search history.

D541,063 S \* 4/2007 Su ..... D6/366  
D544,732 S \* 6/2007 Mazzera ..... D6/708.23  
D612,639 S \* 3/2010 Smit ..... D6/708.23

\* cited by examiner  
*Primary Examiner* — Mimosa De  
(74) *Attorney, Agent, or Firm* — Milligan PC LLO

(57) **CLAIM**

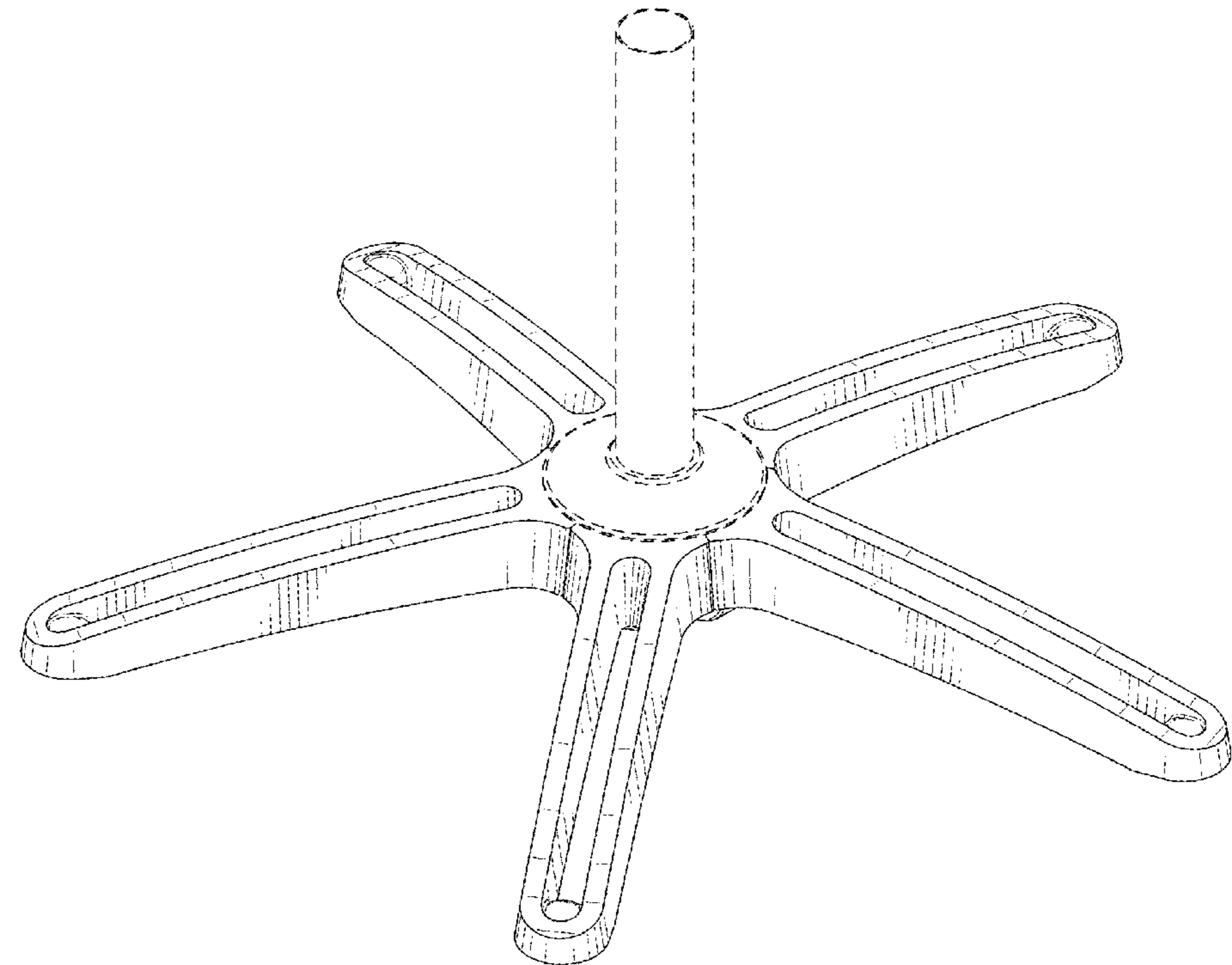
The ornamental design for a pedestal base, as shown and described.

**DESCRIPTION**

FIG. 1 is a front, right, top perspective view of the pedestal base;  
FIG. 2 is a front, right, bottom perspective view of the pedestal base of FIG. 1;  
FIG. 3 is a front elevation view of the pedestal base of FIG. 1;  
FIG. 4 is a right elevation view of the pedestal base of FIG. 1;  
FIG. 5 is a top elevation view of the pedestal base of FIG. 1; and,  
FIG. 6 is a bottom elevation view of the pedestal base of FIG. 1.  
The broken lines shown in the drawing are for the purpose of illustrating environmental structure and form no part of the claimed design.

**1 Claim, 6 Drawing Sheets**

(56) **References Cited**  
U.S. PATENT DOCUMENTS  
D321,299 S \* 11/1991 Caruso ..... D6/708.23  
D408,163 S \* 4/1999 Olson ..... D6/366  
D448,583 S \* 10/2001 Tsai ..... D6/366  
D459,600 S \* 7/2002 Tseng ..... D6/366  
D493,986 S \* 8/2004 Fu ..... D6/366  
D541,062 S \* 4/2007 Su ..... D6/366



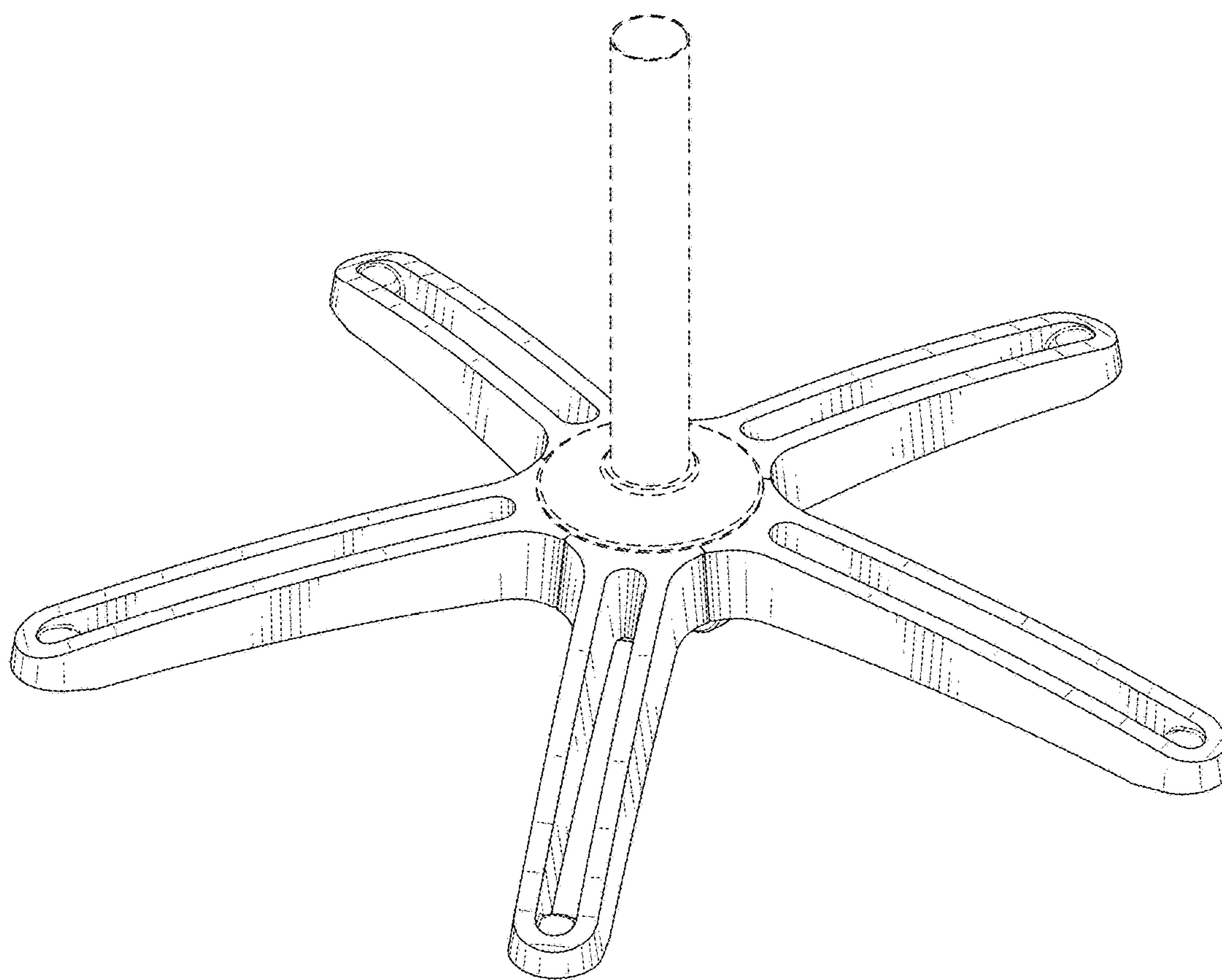


FIG. 1

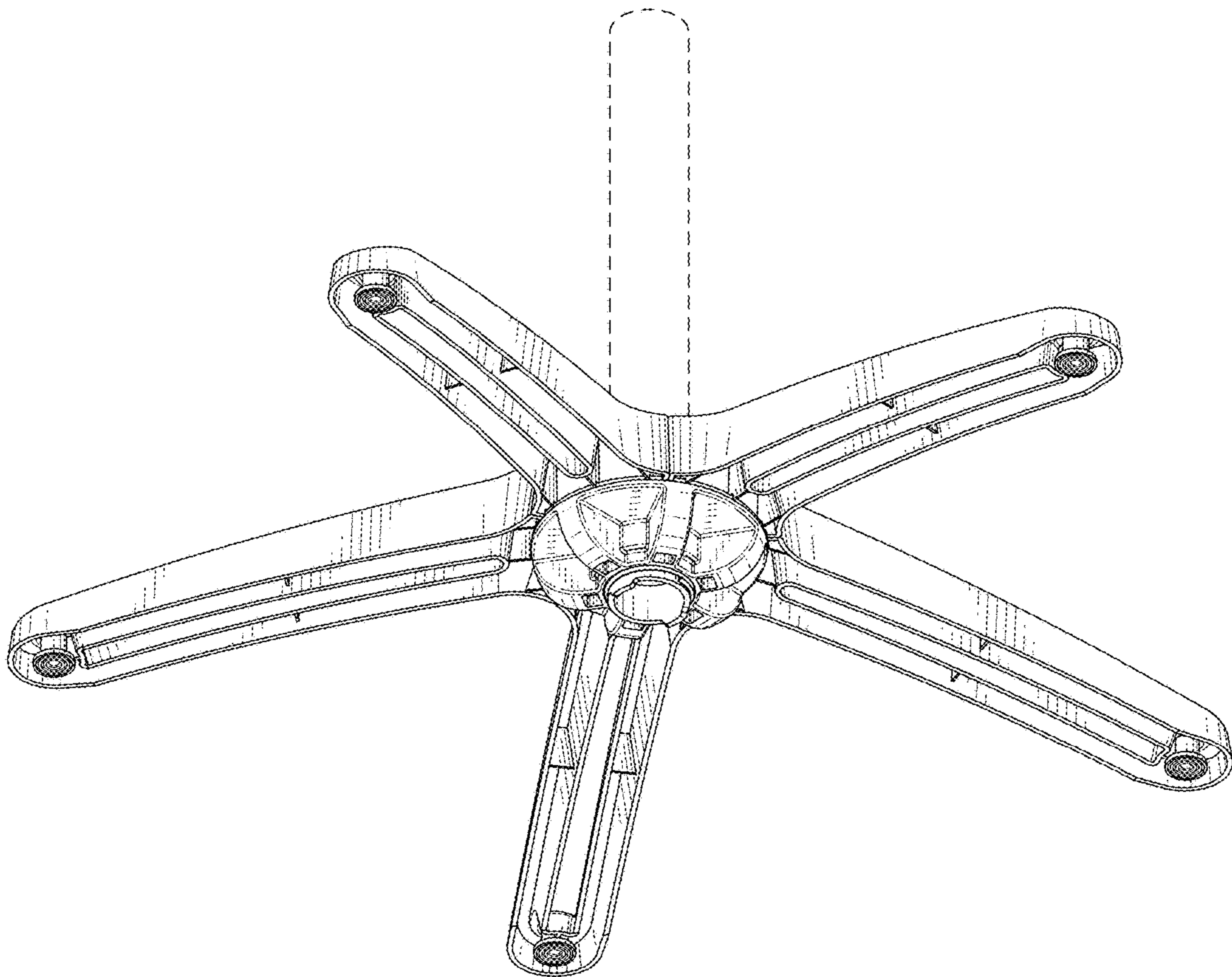


FIG. 2

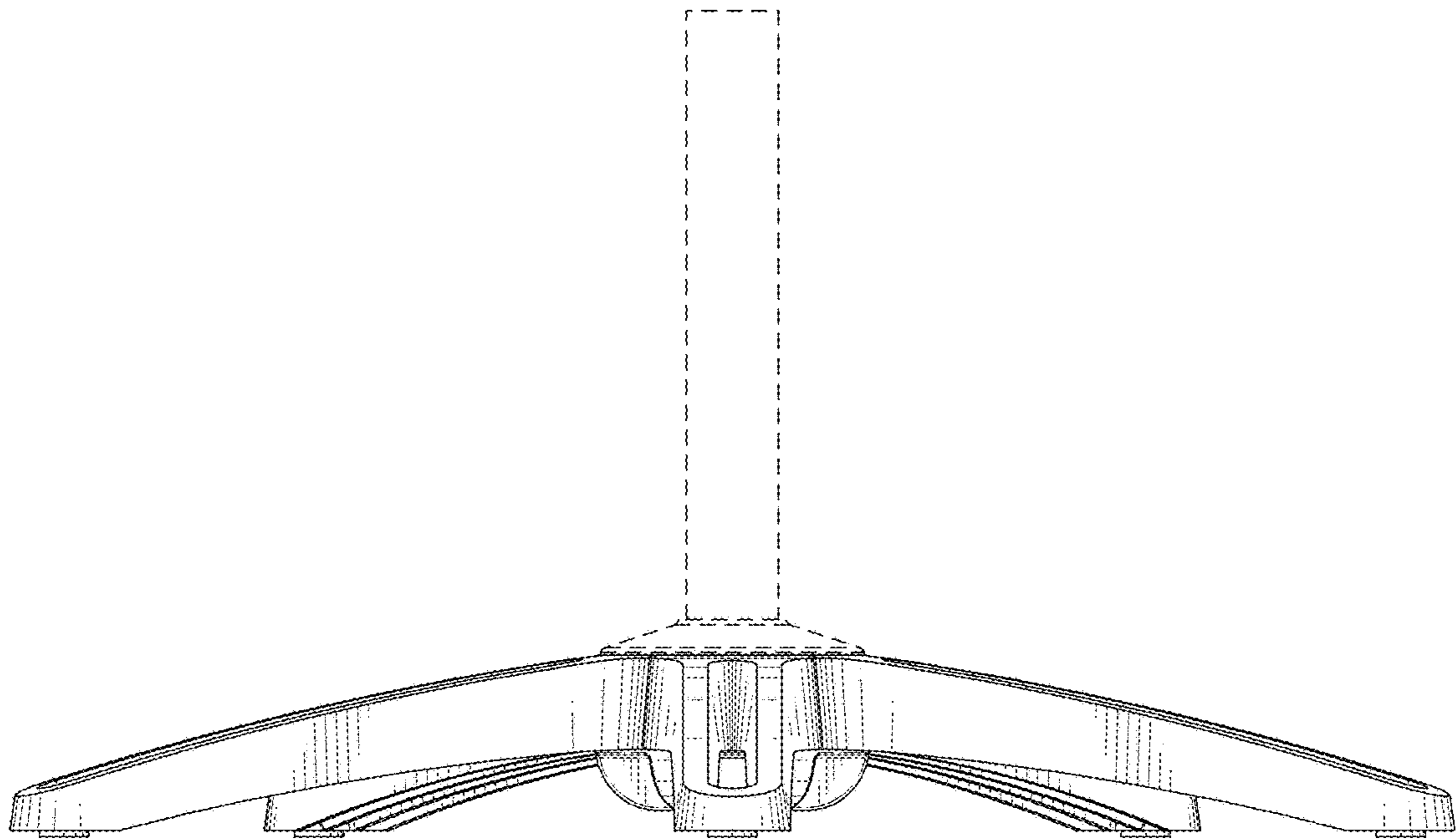


FIG. 3

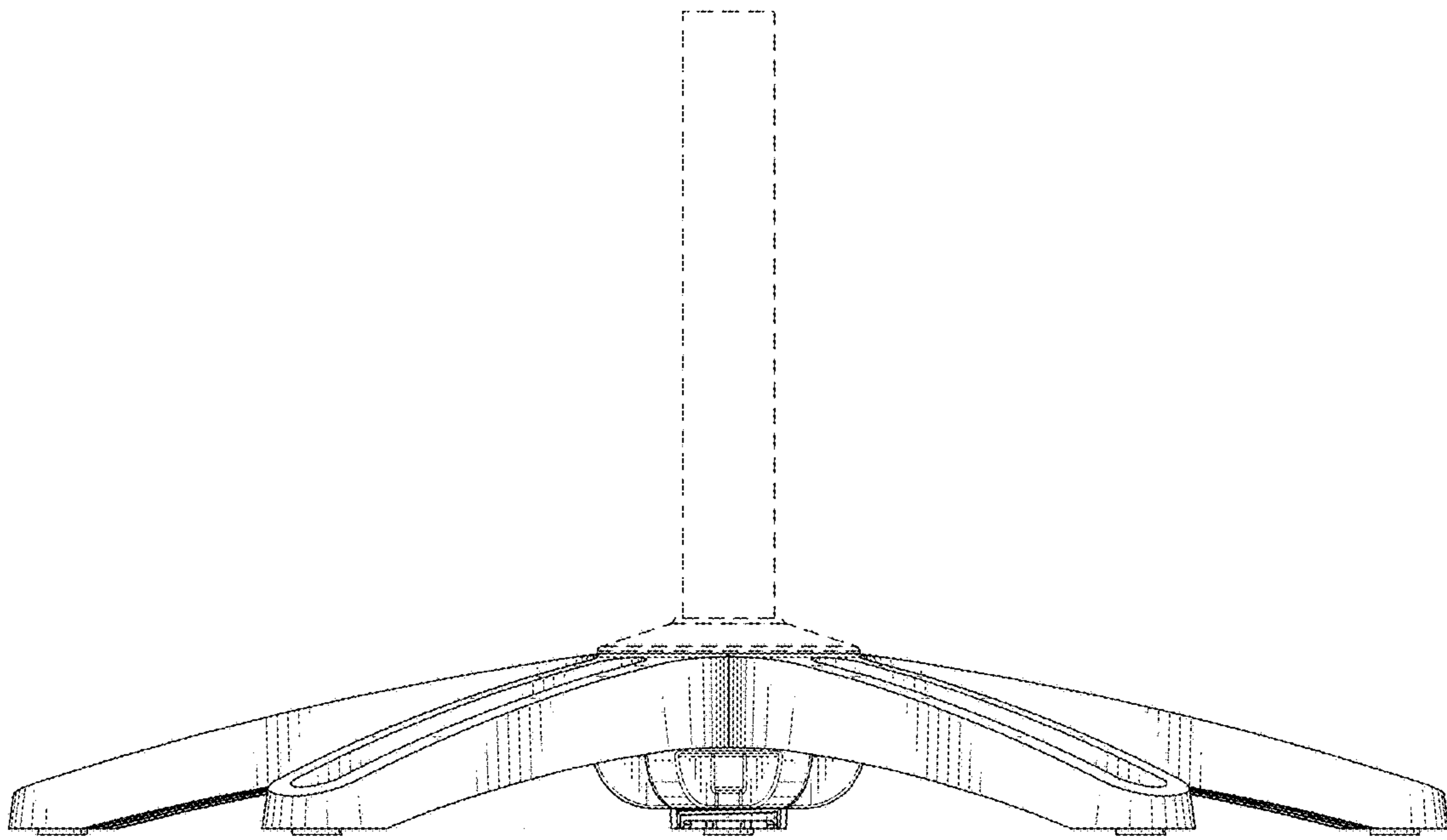


FIG. 4

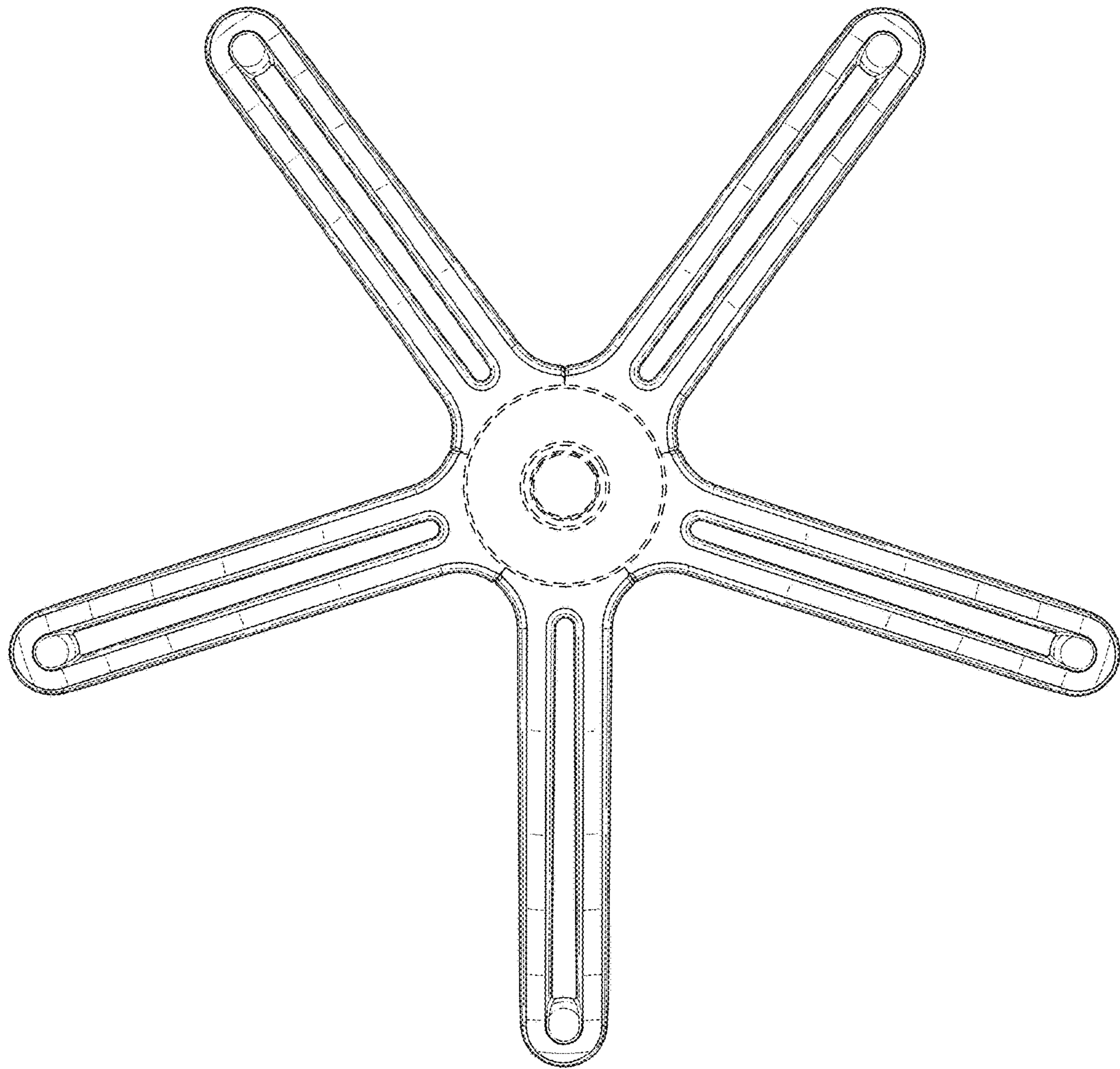


FIG. 5

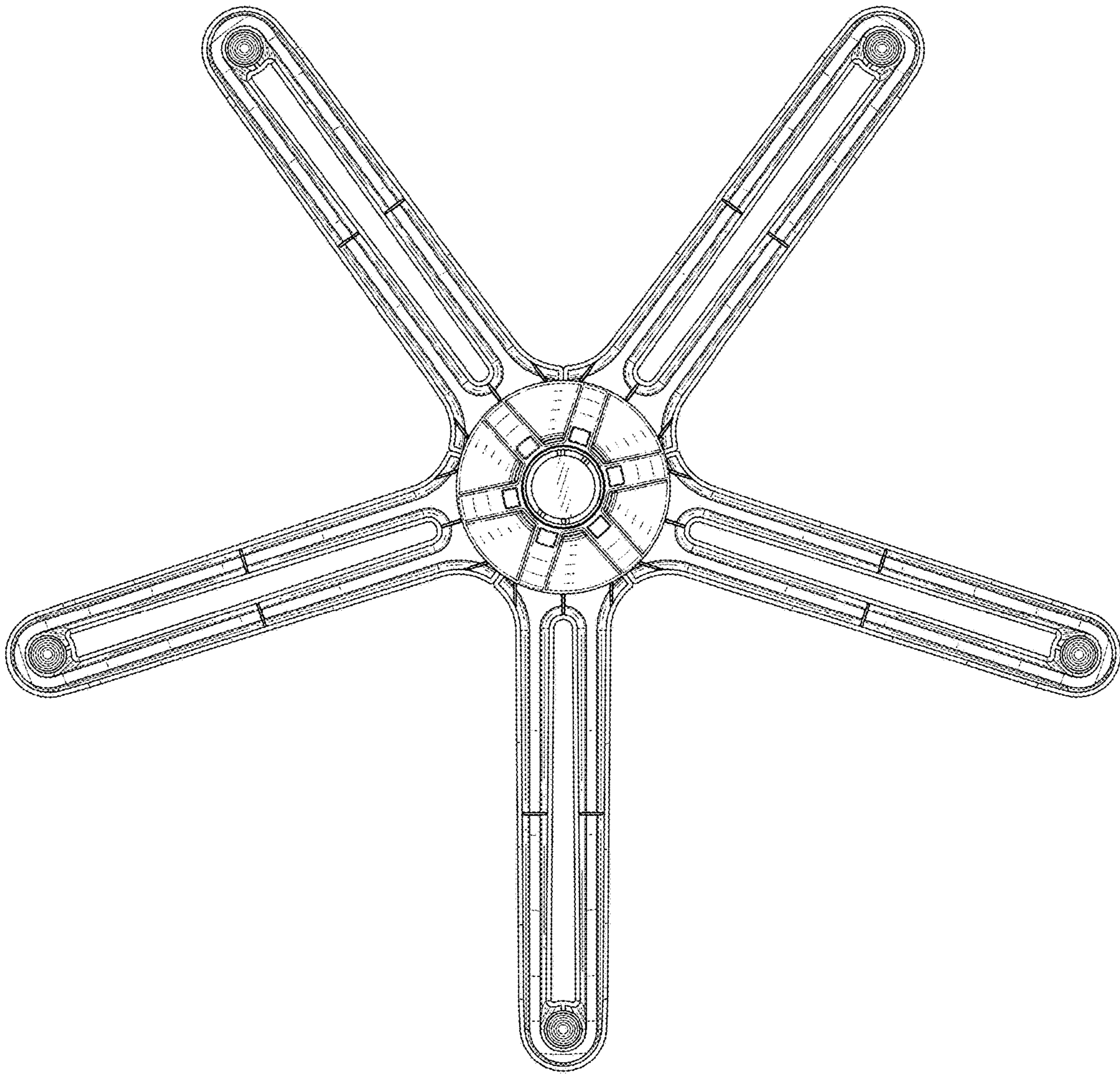


FIG. 6