



US00D793783S

(12) **United States Design Patent** (10) **Patent No.:** **US D793,783 S**
Newhouse (45) **Date of Patent:** **** Aug. 8, 2017**

- (54) **TABLE**
- (71) Applicant: **Trendway Corporation**, Holland, MI (US)
- (72) Inventor: **Thomas J. Newhouse**, Grand Rapids, MI (US)
- (73) Assignee: **Trendway Corporation**, Holland, MI (US)
- (**) Term: **15 Years**
- (21) Appl. No.: **29/558,751**
- (22) Filed: **Mar. 21, 2016**
- (51) **LOC (10) Cl.** **06-03**
- (52) **U.S. Cl.**
USPC **D6/696.1**
- (58) **Field of Classification Search**
USPC D6/601, 641, 671, 675, 677, 685, 687, D6/690, 691, 691.1, 691.2, 691.3, 691.4, D6/691.5, 691.9, 693, 695, 695.2, 696, D6/696.1, 697, 698, 699, 699.2, 703, 707, D6/708, 709, 709.2; D24/183
CPC A47B 7/00; A47B 13/08; A47B 13/10; A47B 21/00; A47B 2009/006; A47B 11/00
See application file for complete search history.

- (56) **References Cited**
U.S. PATENT DOCUMENTS
D132,947 S * 7/1942 Banks D6/644
D194,850 S * 3/1963 McCord D6/663
D223,309 S * 4/1972 van Velin D24/128
D236,062 S * 7/1975 Winston D6/601
D238,335 S * 1/1976 Ocklo D6/661
D261,955 S * 11/1981 Aronowitz D6/363
D270,308 S * 8/1983 Aronowitz D6/691.4
D276,100 S * 10/1984 Middleton D6/672

- D279,059 S * 6/1985 Tekel D6/696.1
- D283,656 S * 5/1986 Mennes D6/691.1
- D313,910 S * 1/1991 Kubryk D6/691.4
- D339,487 S * 9/1993 Rizzi D6/696.1
- D406,718 S * 3/1999 Jacobs D21/686
- D419,001 S * 1/2000 Swensson D6/696.1
- D419,002 S * 1/2000 Swensson D6/696.1
- D419,340 S * 1/2000 Swensson D6/696.1
- D421,535 S * 3/2000 Swensson D6/696.1
- D439,447 S * 3/2001 Diekman D6/601
- D456,181 S * 4/2002 Swensson D6/696.1
- D473,079 S * 4/2003 Barry D6/349
- D517,347 S * 3/2006 Hamilton D16/242
- D585,670 S * 2/2009 Gharabegian D6/693
- D635,265 S * 3/2011 Coffey D24/183
- D663,426 S * 7/2012 Davis, III D24/183
- D726,451 S * 4/2015 Lee D6/601
- D728,270 S * 5/2015 Hauer D6/601
- D730,092 S * 5/2015 Adjaye D6/691.4
- D731,216 S * 6/2015 Sorel D6/690
- D731,817 S * 6/2015 Rogers D6/601

(Continued)

Primary Examiner — Mary Ann Calabrese
Assistant Examiner — Sloan Rozin
(74) *Attorney, Agent, or Firm* — McGarry Bair PC

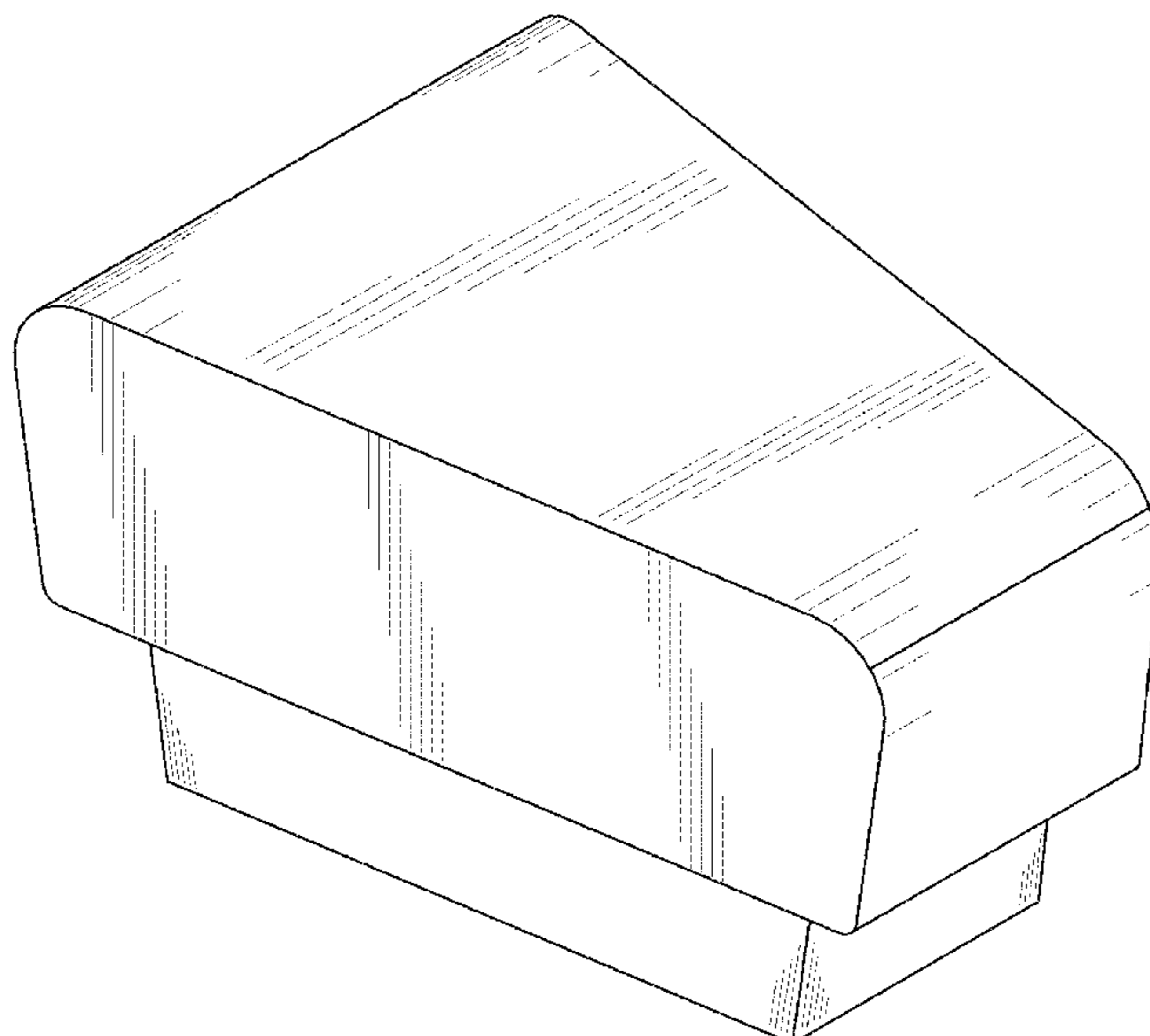
(57) **CLAIM**

The ornamental design for a table, as shown and described.

DESCRIPTION

FIG. 1 is a perspective view of a table according to the invention;
FIG. 2 is a top view of the table of FIG. 1;
FIG. 3 is a bottom view of the table of FIG. 1;
FIG. 4 is a left side view of the table of FIG. 1, with the right side view being a mirror image thereof;
FIG. 5 is front view of the table of FIG. 1; and,
FIG. 6 is a rear view of the table of FIG. 1.
Portions of the table shown in broken lines form no part of the claimed design.

1 Claim, 4 Drawing Sheets



(56)

References Cited

U.S. PATENT DOCUMENTS

D749,883 S *	2/2016	Garcia	D6/696.1
D758,098 S *	6/2016	Pham	D6/601
D774,329 S *	12/2016	Brown	D6/601
D775,484 S *	1/2017	Moore	D6/601
D781,429 S *	3/2017	Westdyk	D24/183

* cited by examiner

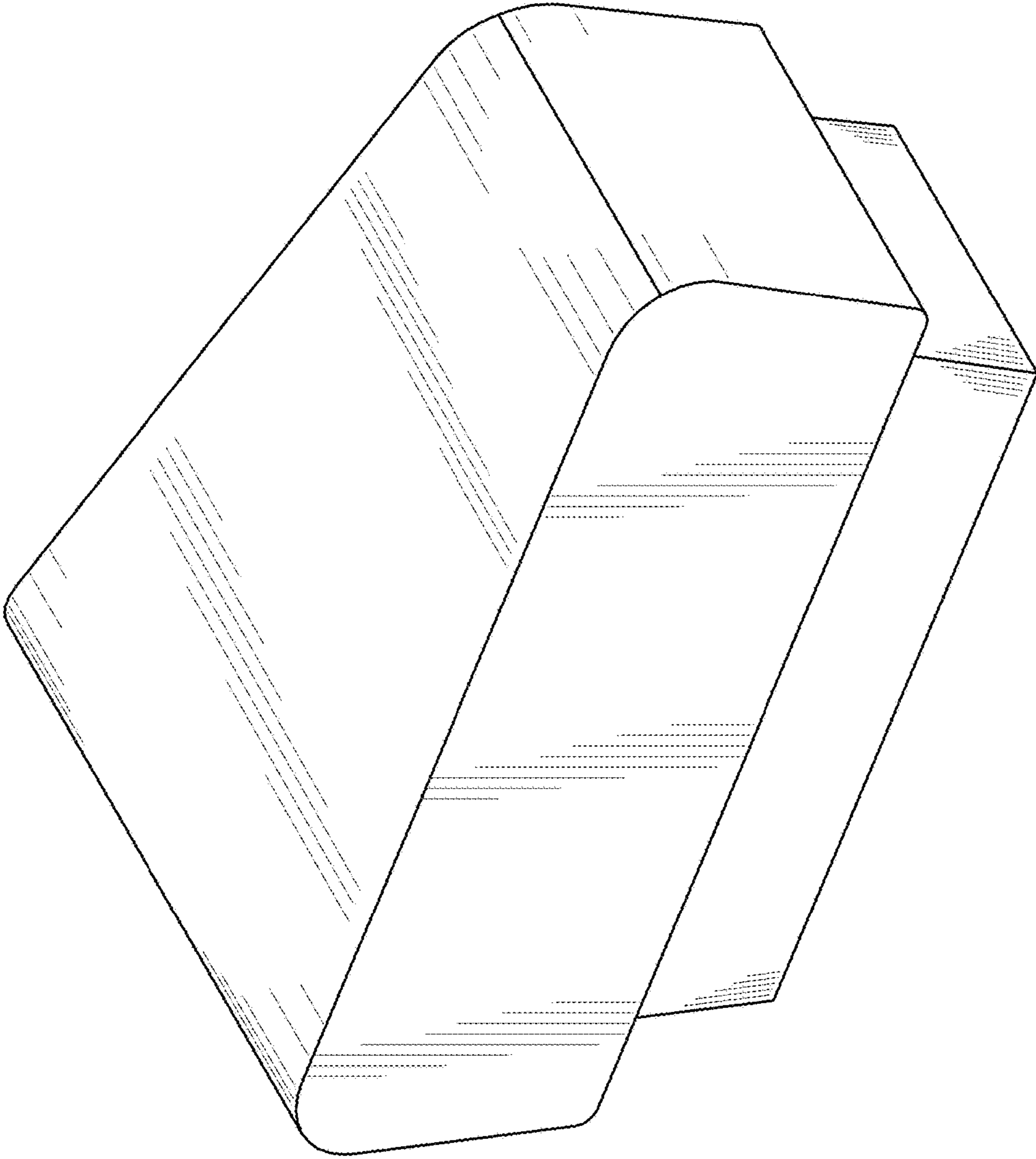


FIG. 1

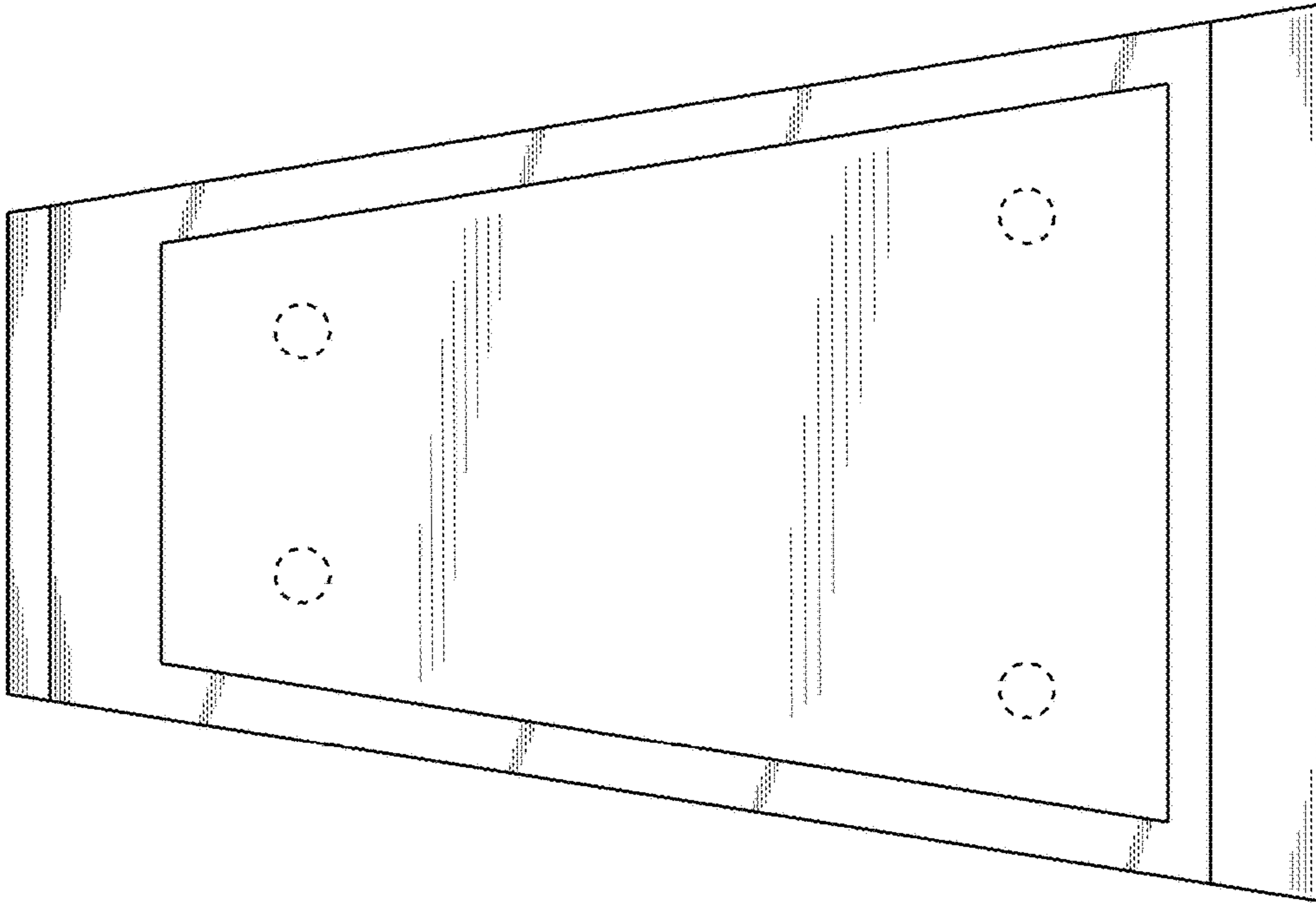


FIG. 3

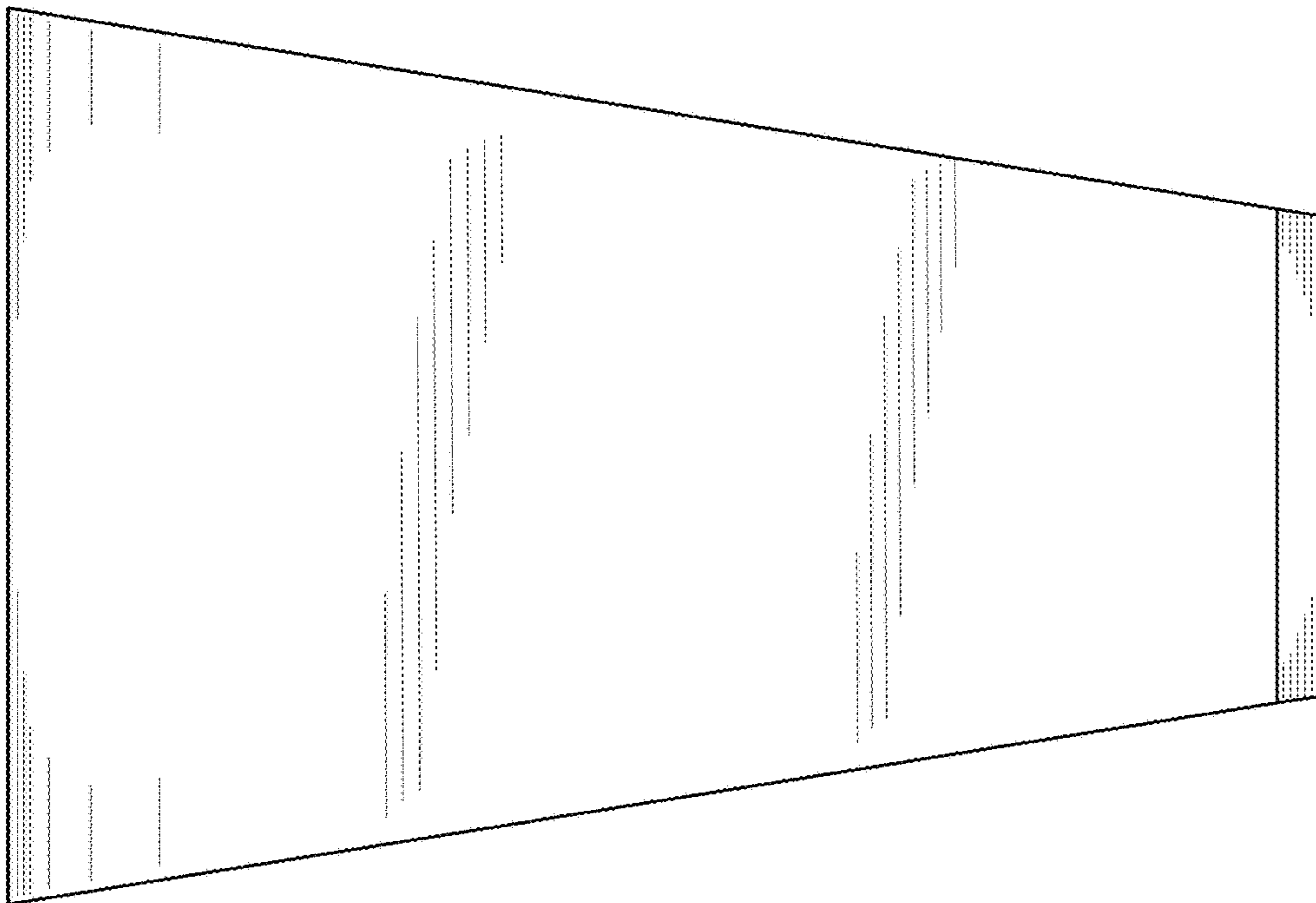


FIG. 2

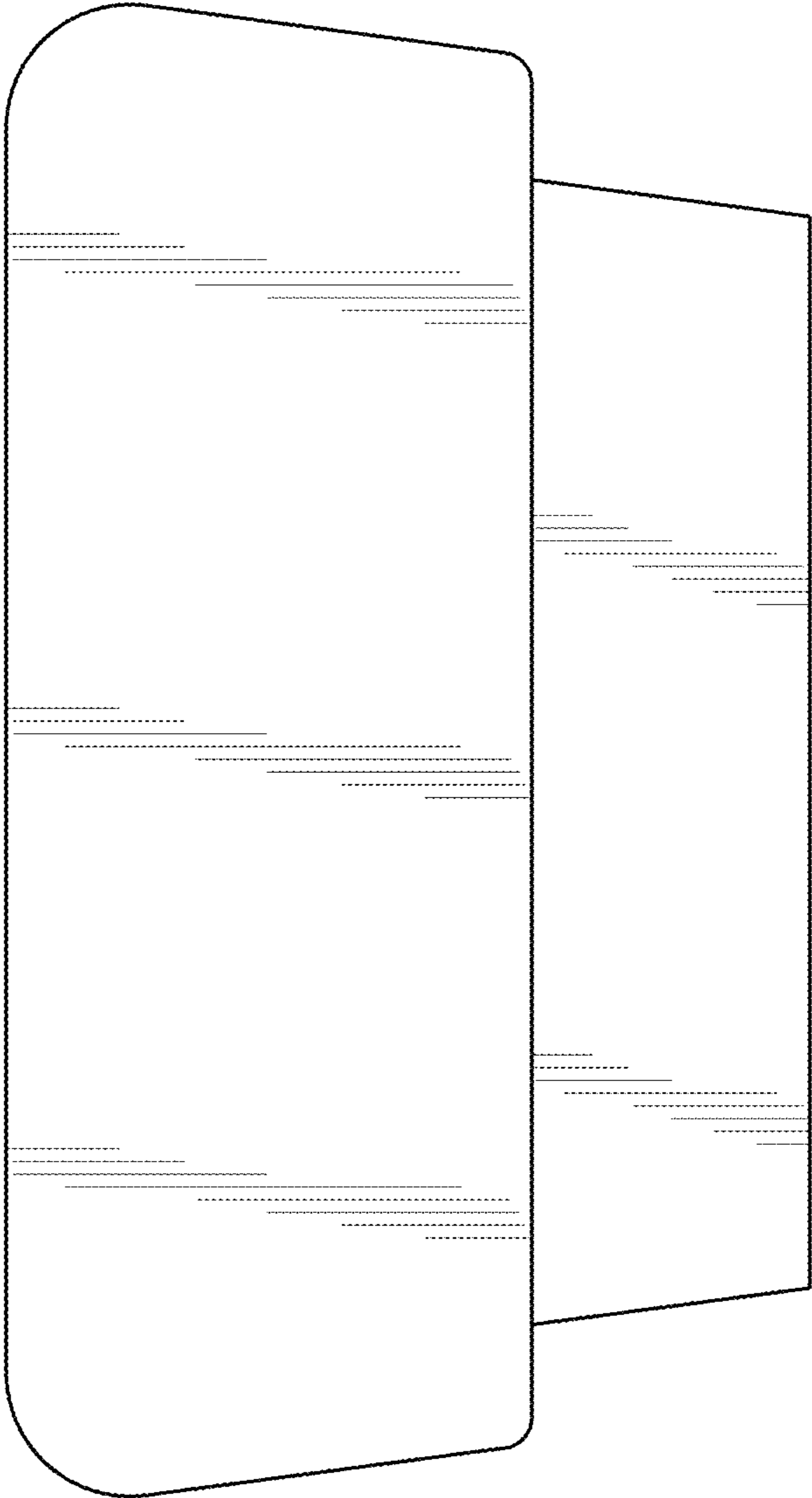


FIG. 4

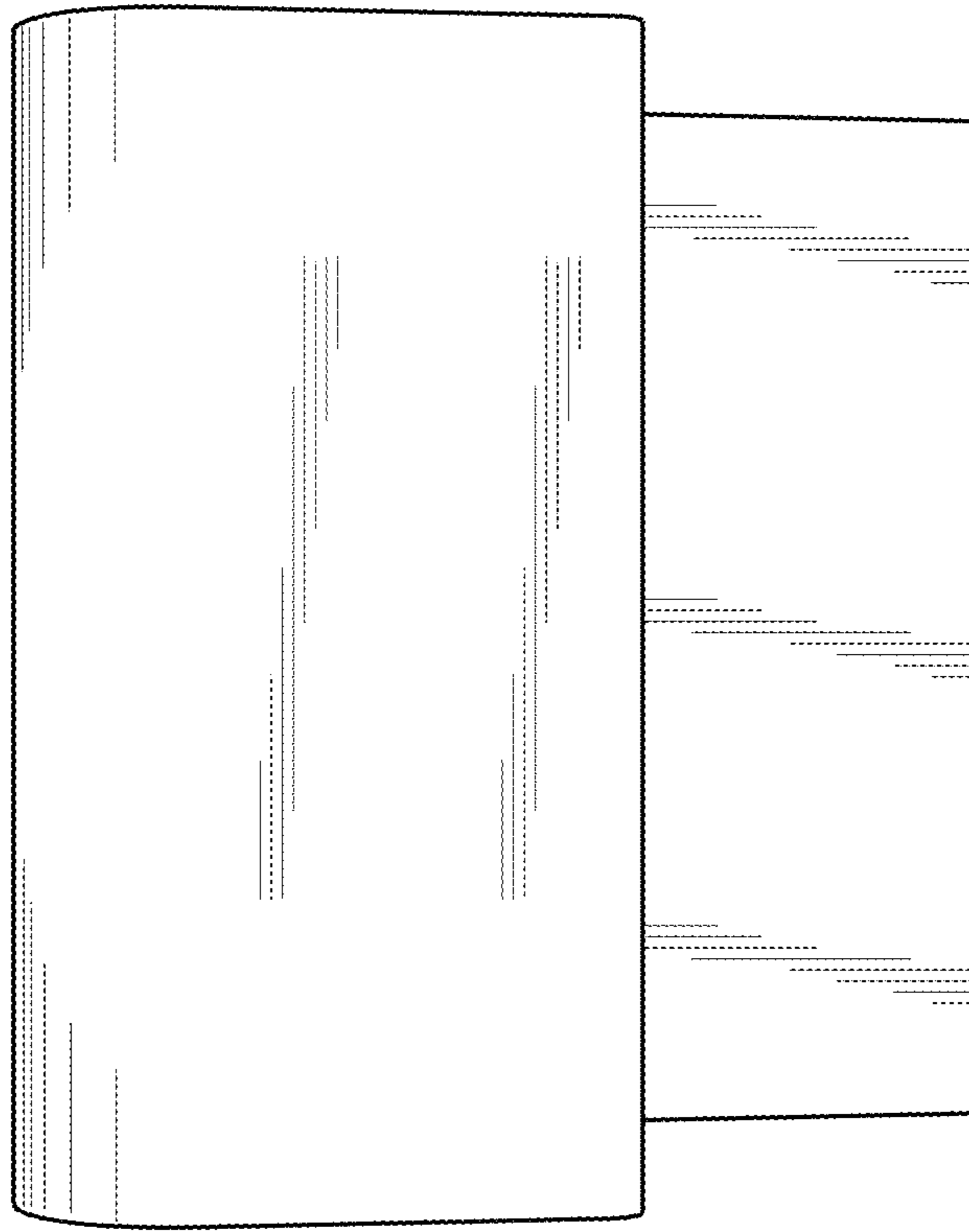


FIG. 5

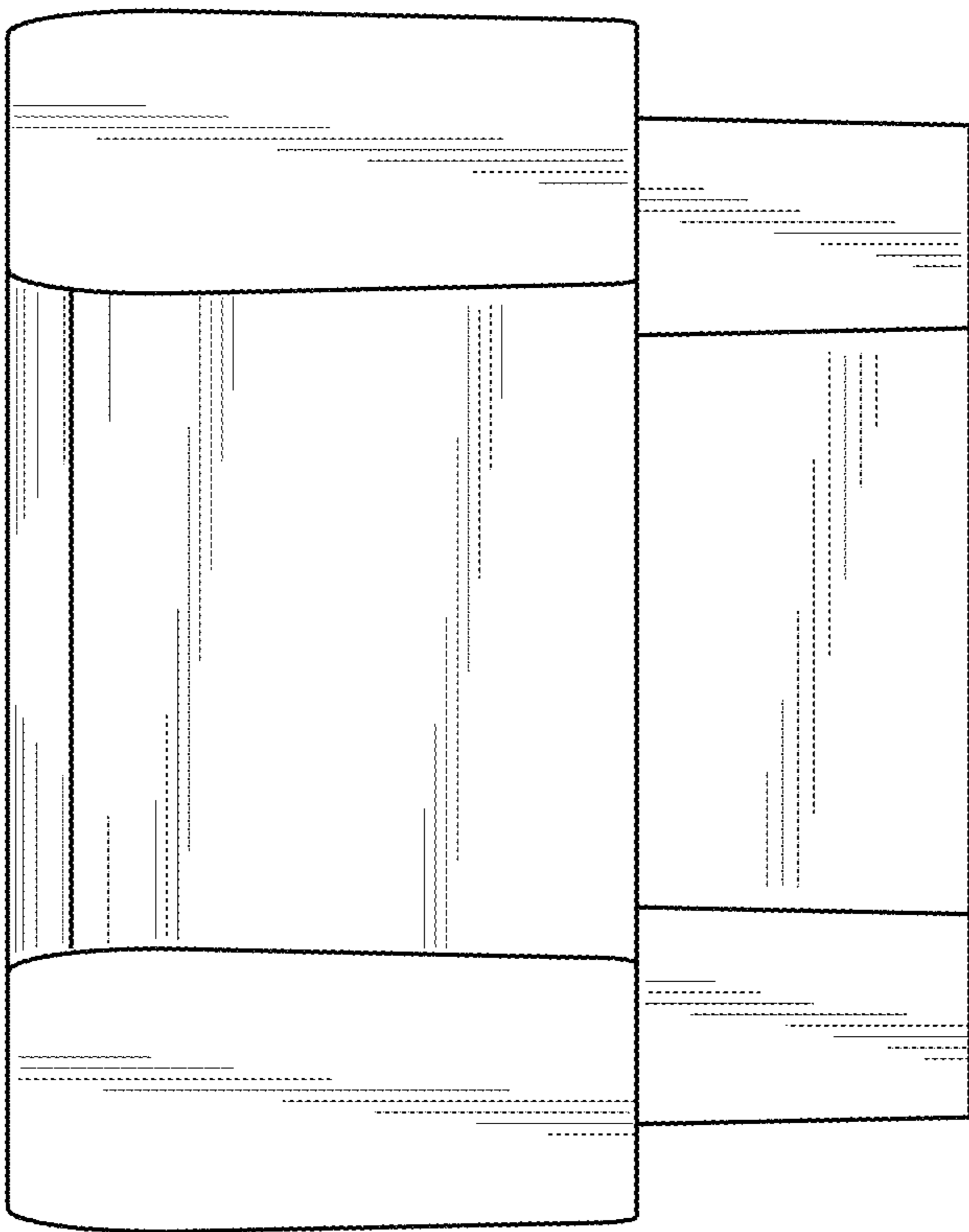


FIG. 6