



US00D793782S

(12) **United States Design Patent** (10) **Patent No.:** **US D793,782 S**  
**Corr** (45) **Date of Patent:** **\*\* Aug. 8, 2017**

(54) **END TABLE**

(71) Applicant: **Jessica Corr**, New York, NY (US)

(72) Inventor: **Jessica Corr**, New York, NY (US)

(\*\*) Term: **15 Years**

(21) Appl. No.: **29/563,887**

(22) Filed: **May 9, 2016**

(51) **LOC (10) Cl.** ..... **06-03**

(52) **U.S. Cl.**

USPC ..... **D6/695**

(58) **Field of Classification Search**

USPC ..... D6/349, 671, 677, 687, 690, 691, 691.1,  
D6/691.2, 691.3, 691.4, 691.5, 693, 689,  
D6/691.9, 695, 695.2

CPC ..... A47B 7/00; A47B 13/08; A47B 13/10;  
A47B 14/00; A47B 21/00; A47B 25/00;  
A47B 2009/006; A47B 11/00; A47F  
70/00; G09F 1/10; G09F 3/18

See application file for complete search history.

(56) **References Cited**

**U.S. PATENT DOCUMENTS**

D223,178 S *	3/1972	Brody .....	D6/677
D226,417 S *	3/1973	Durn .....	D6/690
D438,024 S *	2/2001	Catalano .....	D6/349
D444,322 S *	7/2001	Yoshino .....	D6/690
D509,289 S *	9/2005	Palazzolo .....	D23/309
D620,287 S *	7/2010	Haudressy .....	D6/691
D681,974 S *	5/2013	Naples .....	D6/677

D684,413 S *	6/2013	Schmitt .....	D6/691.2
D737,526 S *	8/2015	Hong .....	D30/118
D764,188 S *	8/2016	Brown .....	D6/349

**OTHER PUBLICATIONS**

Art Deco Side Table with U Shaped Pedestal Base [online]. 1stdibs, 1930 [retrieved on Feb. 13, 2017]. Retrieved from the Internet: <[https://www.1stdibs.com/furniture/tables/side-tables/art-deco-side-table-u-shaped-pedestal-base/id-f\\_343606/](https://www.1stdibs.com/furniture/tables/side-tables/art-deco-side-table-u-shaped-pedestal-base/id-f_343606/)>.\*

\* cited by examiner

*Primary Examiner* — Mary Ann Calabrese

*Assistant Examiner* — Sloan Rozin

(74) *Attorney, Agent, or Firm* — Myron Greenspan;  
Lackenbach Siegel LLP

(57) **CLAIM**

I claim the ornamental design for an end table, as shown and described.

**DESCRIPTION**

FIG. 1 is a perspective view of an end table showing my new design;

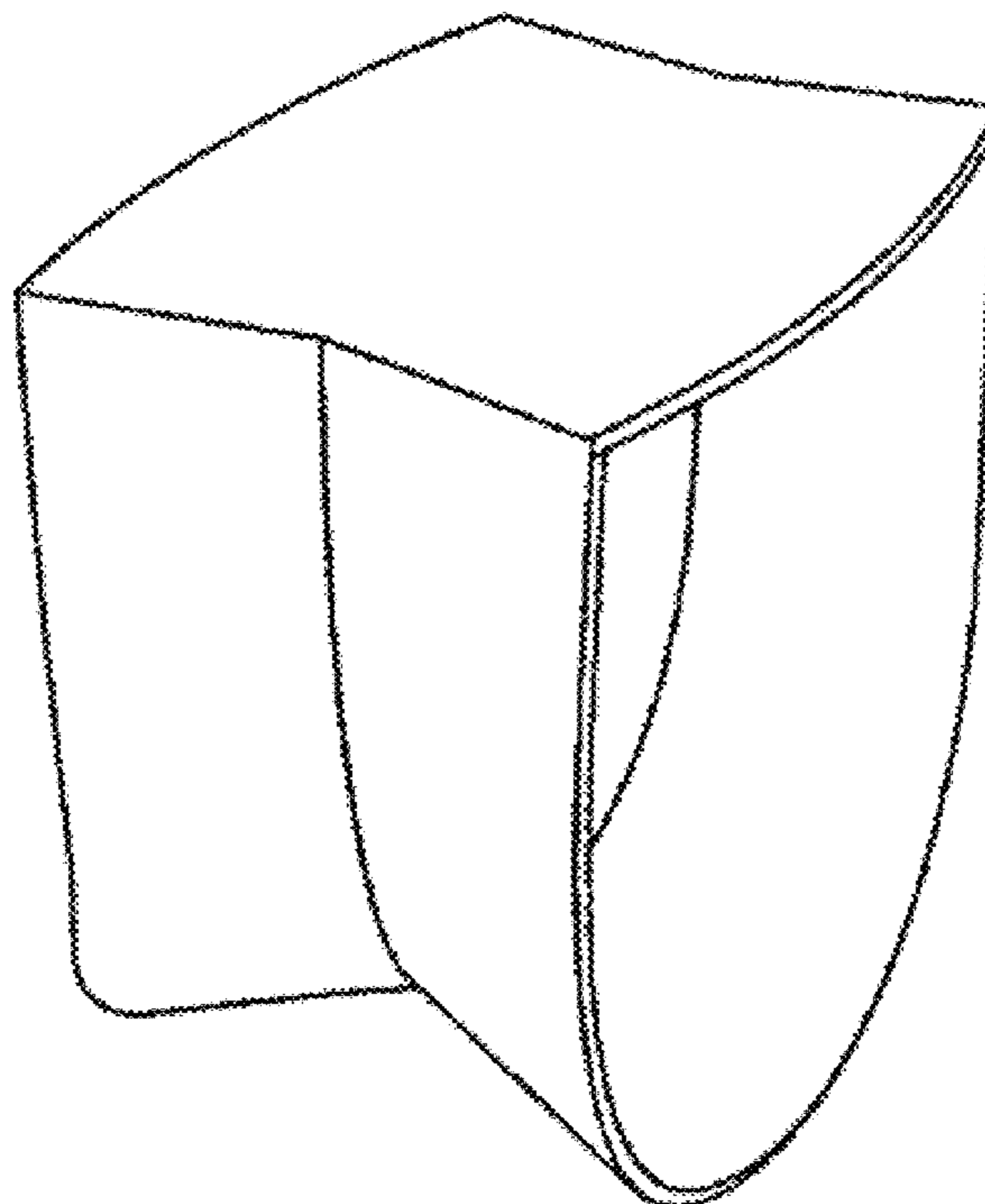
FIG. 2 is a top plan view thereof;

FIG. 3 is a right side elevational view thereof, the left side elevational view being identical to the right side elevational view;

FIG. 4 is a front elevational view thereof, the rear elevational view being identical to the front elevational view; and,

FIG. 5 is a bottom plan view thereof.

**1 Claim, 1 Drawing Sheet**



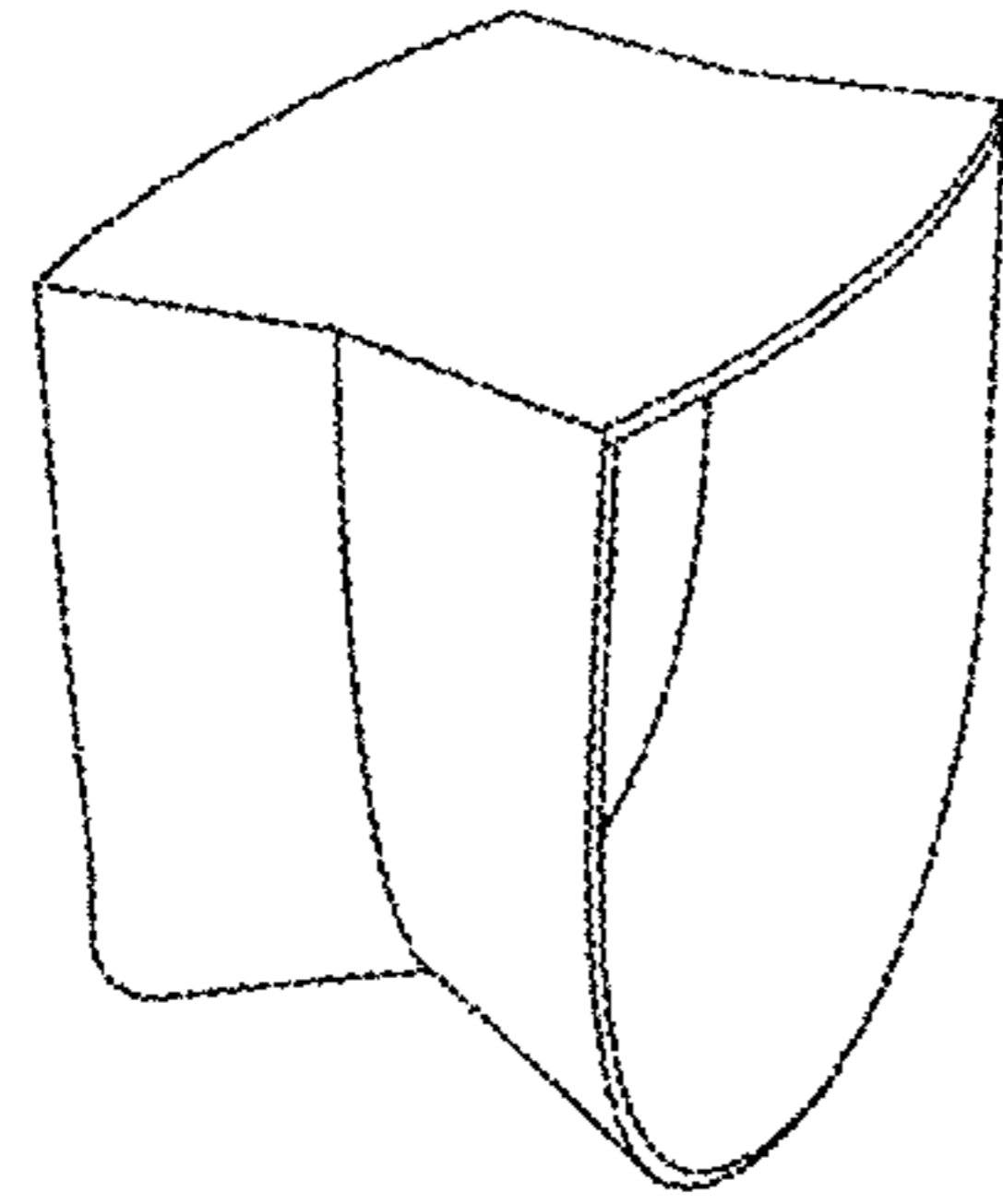


FIG. 1

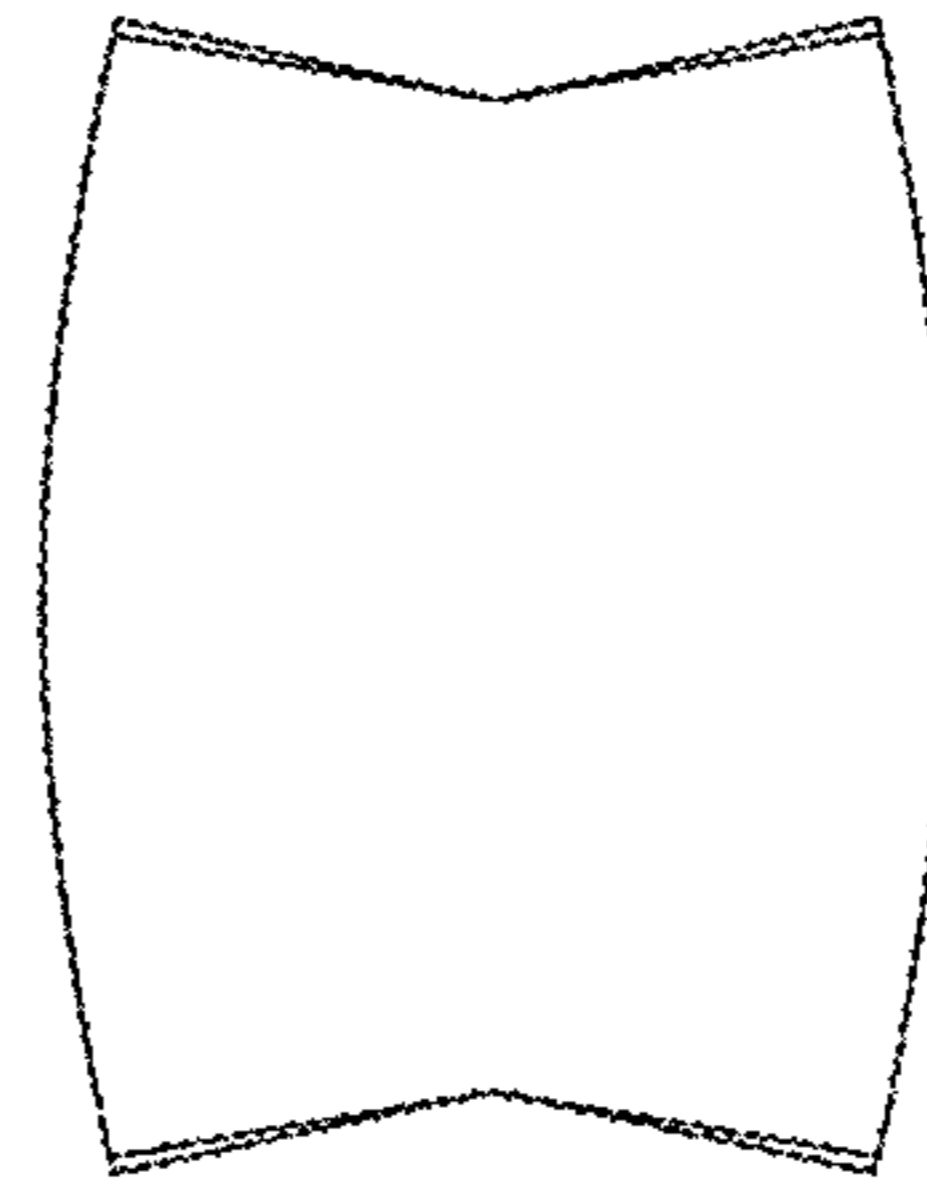


FIG. 2

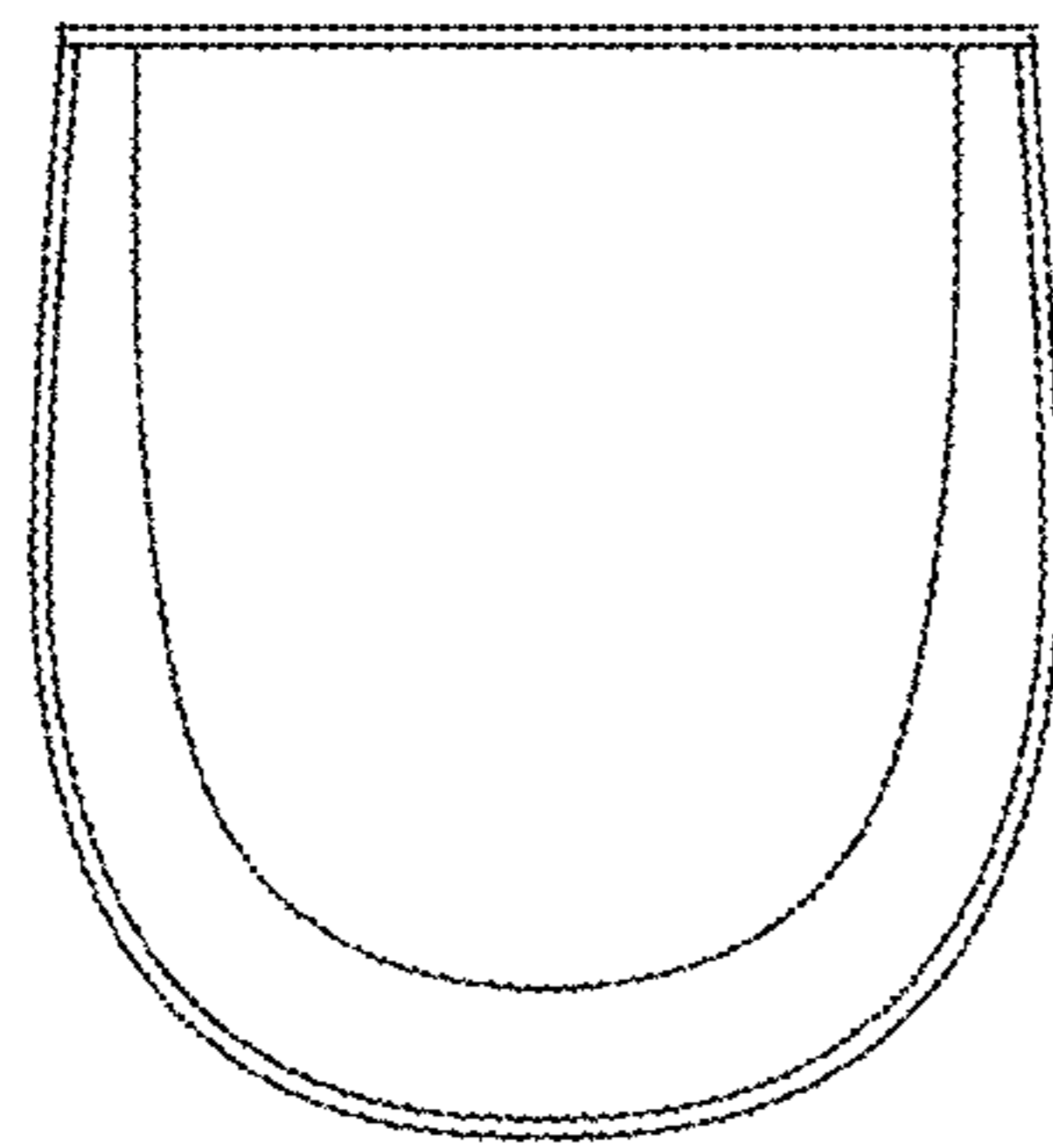


FIG. 3

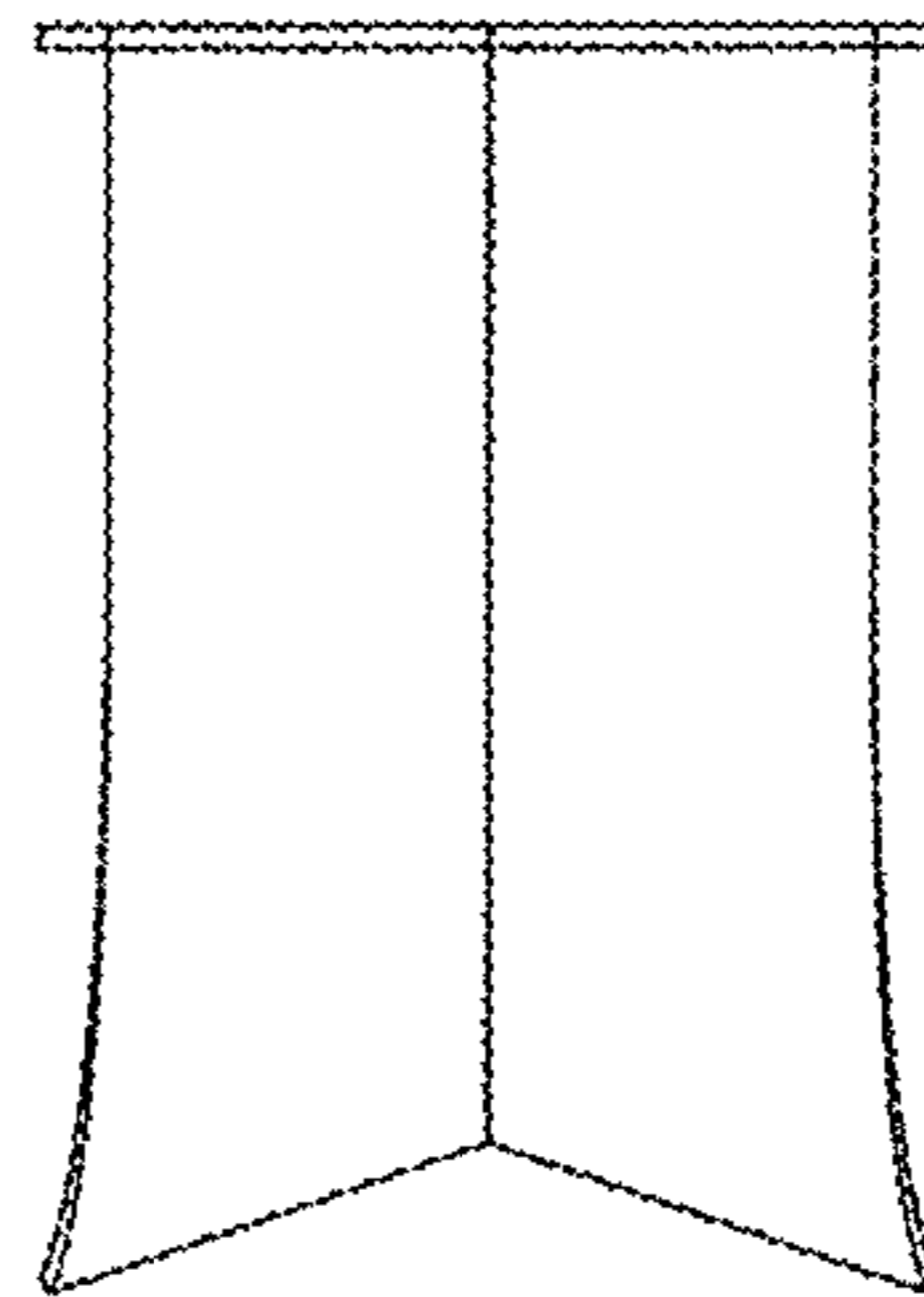


FIG. 4

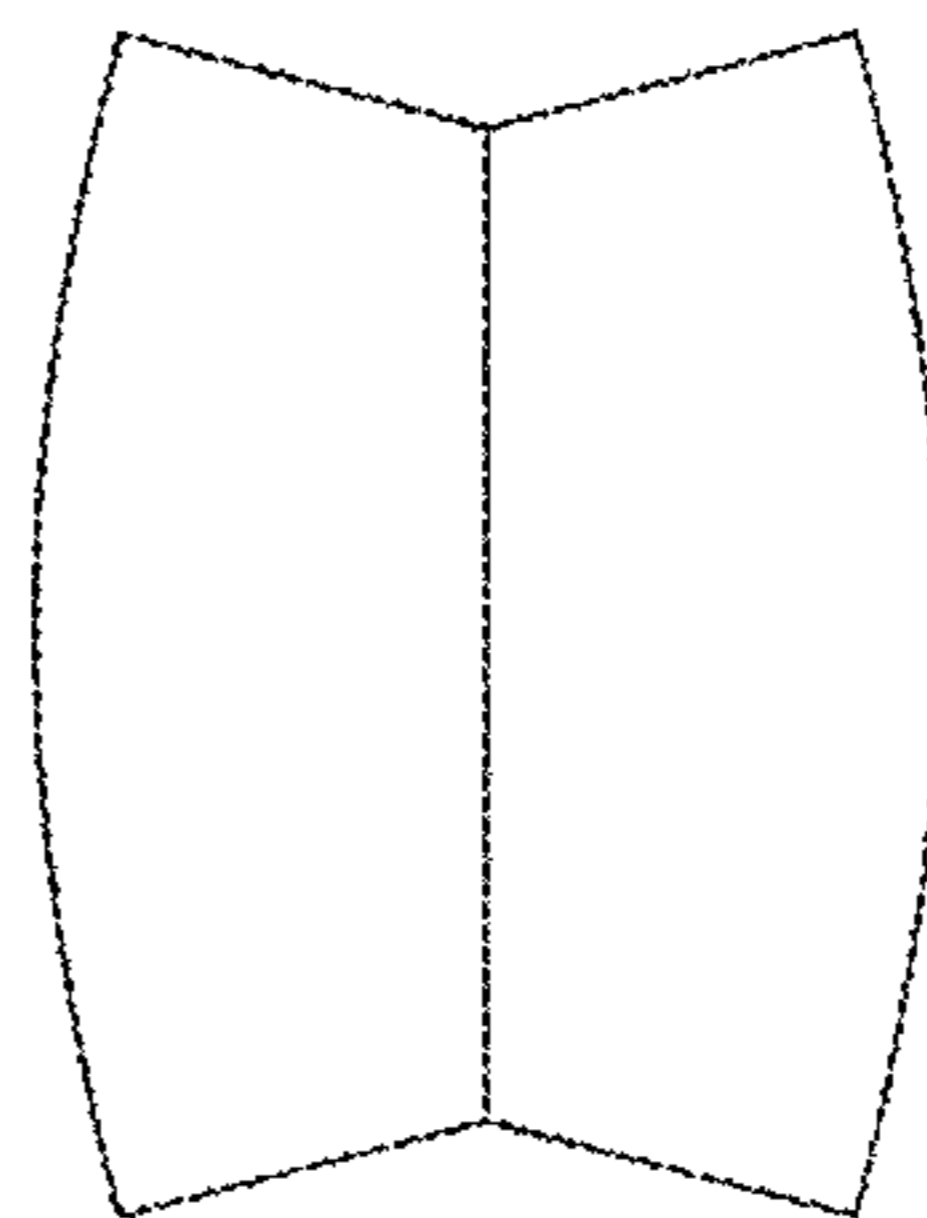


FIG. 5