

US00D793781S

(12) **United States Design Patent**
Gharabegian

(10) **Patent No.:** **US D793,781 S**

(45) **Date of Patent:** **** Aug. 8, 2017**

(54) **TABLE**

(71) Applicant: **Eleven23 Marketing, LLC**, Glendale, CA (US)

(72) Inventor: **Armen Sevada Gharabegian**, Glendale, CA (US)

(73) Assignee: **Eleven23 Marketing, LLC**, Glendale, CA (US)

(**) Term: **15 Years**

(21) Appl. No.: **29/535,471**

(22) Filed: **Aug. 6, 2015**

(51) **LOC (10) Cl.** **06-04**

(52) **U.S. Cl.**
USPC **D6/691**; D6/691.2; D6/691.5

(58) **Field of Classification Search**
USPC D6/691, 691.2, 691.5, 695.8, 696.7; 248/164; 108/119
CPC A47B 7/00; A47B 13/00; A47B 13/02; A47B 13/06; A47B 13/08; A47B 13/04; A47B 13/088; A47B 2200/11; A47B 2200/001; A47B 91/00; A47B 91/005
See application file for complete search history.

(56) **References Cited**

U.S. PATENT DOCUMENTS

D207,647	S	*	5/1967	Wormley	D6/708
4,321,875	A	*	3/1982	Danko	A47B 13/02 108/150
D298,595	S	*	11/1988	Cionini	D6/691
D299,195	S	*	1/1989	Frinier	D6/708
5,318,260	A	*	6/1994	Kemnitz	A47B 13/02 108/50.12
D563,123	S	*	3/2008	Muller	D6/708
8,292,239	B1	*	10/2012	Elden Limb	B65B 67/1205 248/163.2

D693,160	S	*	11/2013	Baylar	D6/708
D729,557	S	*	5/2015	Jiang	D6/691
D770,208	S	*	11/2016	Muller	D6/708
D775,884	S	*	1/2017	Muller	D6/708
D781,090	S	*	3/2017	Chalmers	D6/708
2015/0069191	A1	*	3/2015	Filseth	A47D 5/006 248/164

* cited by examiner

Primary Examiner — Robin V Webster
Assistant Examiner — James Thorn, Sr.

(57) **CLAIM**

The ornamental design for a table, as shown and described.

DESCRIPTION

FIG. 1 is a bottom plan view of a table design according to an embodiment of the present invention.

FIG. 2 is a left side plan view of a table design according to FIG. 1 an embodiment of the present invention. The right side plan view is the same as the left side plan view.

FIG. 3 is a left side plan view of a table design with a top taken off according to FIG. 1. The right side plan view is the same as the left side plan view.

FIG. 4 is a top, front, left side perspective view of a table design according to FIG. 1.

FIG. 5 is a top, front, left side perspective view of a table design with a clear top to show a top side of a table base FIG. 1.

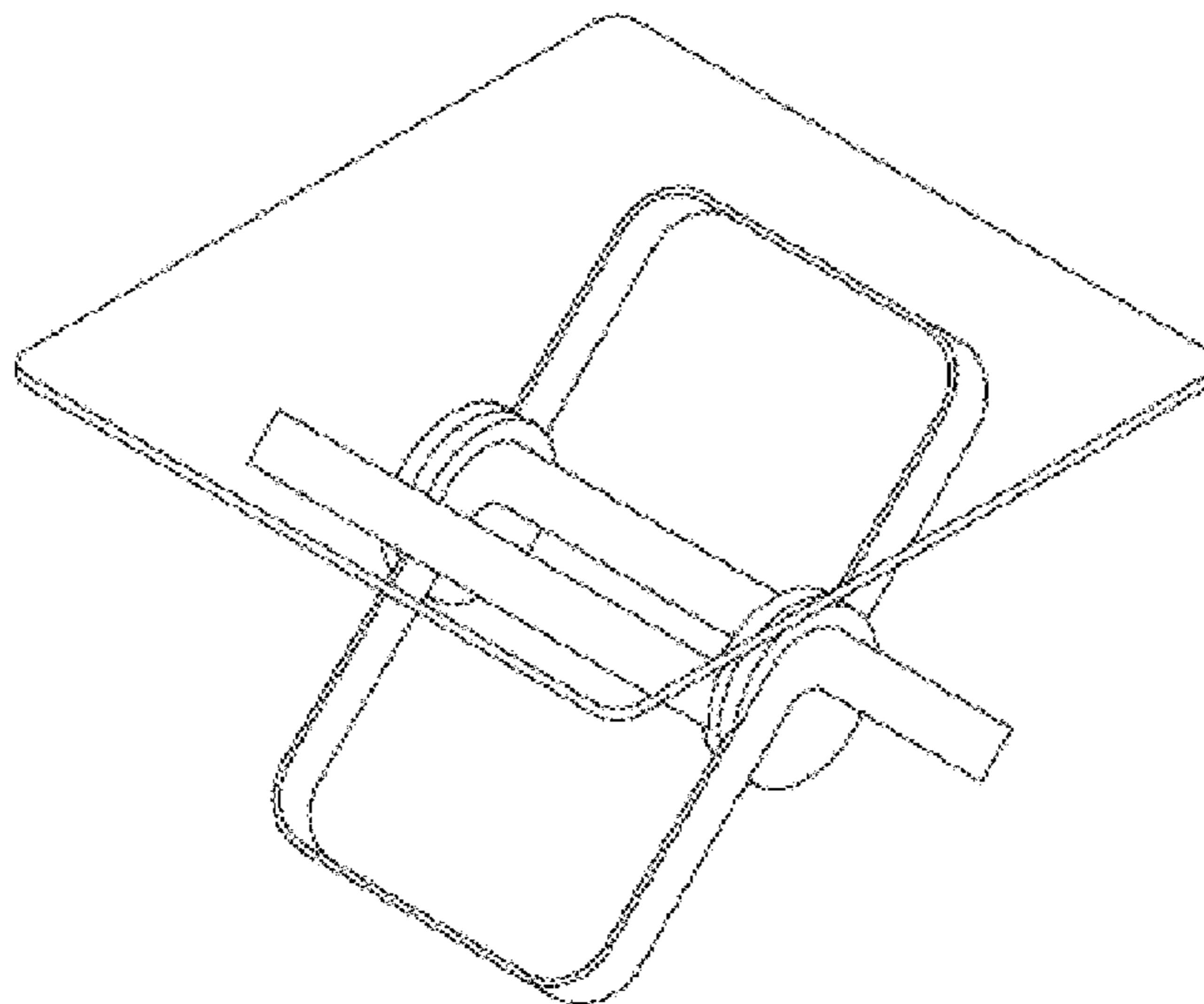
FIG. 6 is a top, front, left side perspective view of a table design without a top according to FIG. 1.

FIG. 7 is a bottom, front, left side perspective view of a table design of FIG. 1

FIG. 8 a front plan view of a table design according to FIG. 1. The back plan view of the table design is the same as the front plan view; and,

FIG. 9 is a top plan view of a table design according to an embodiment of the invention.

1 Claim, 9 Drawing Sheets



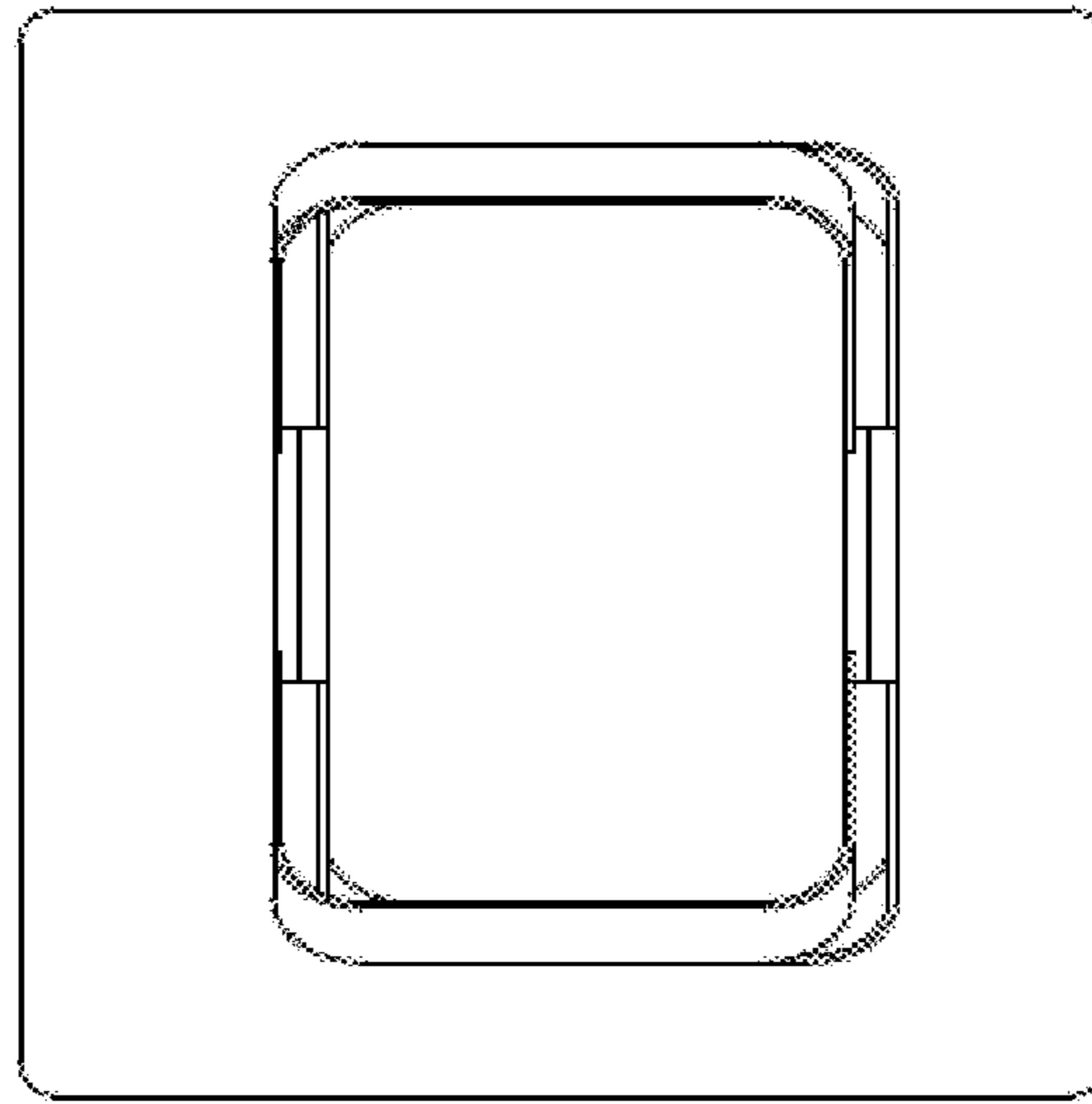


Fig. 1

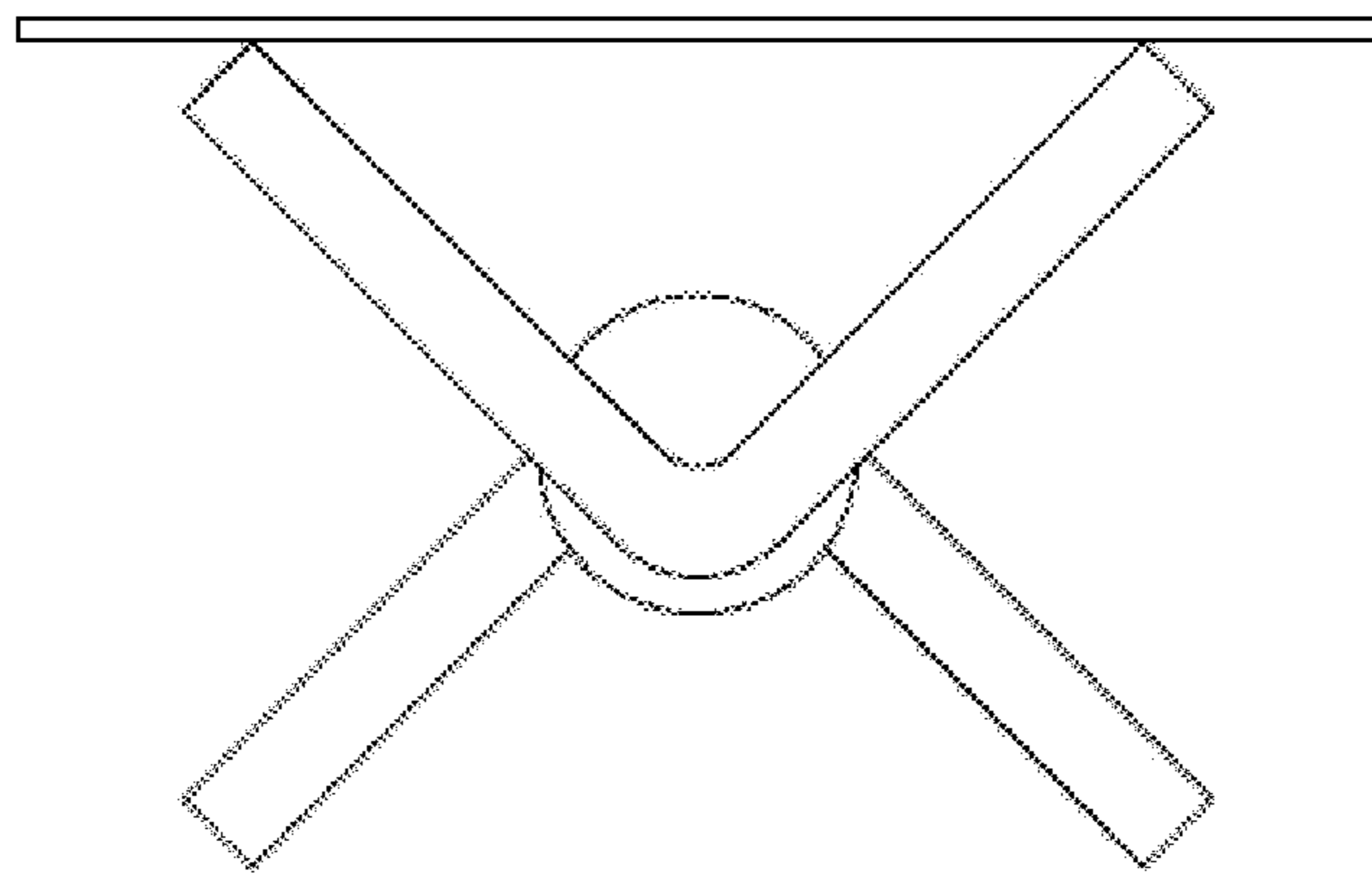


Fig. 2

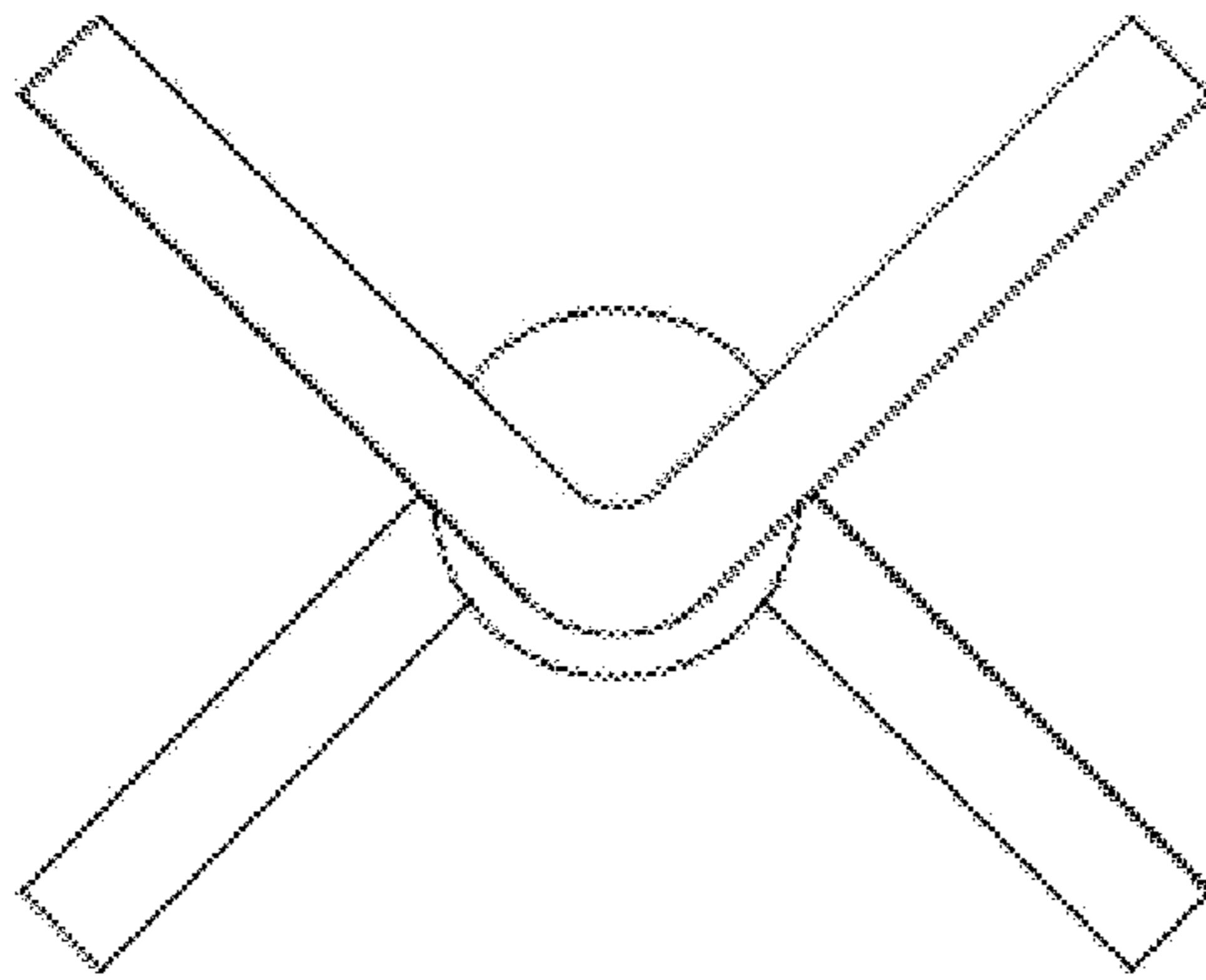


Fig. 3

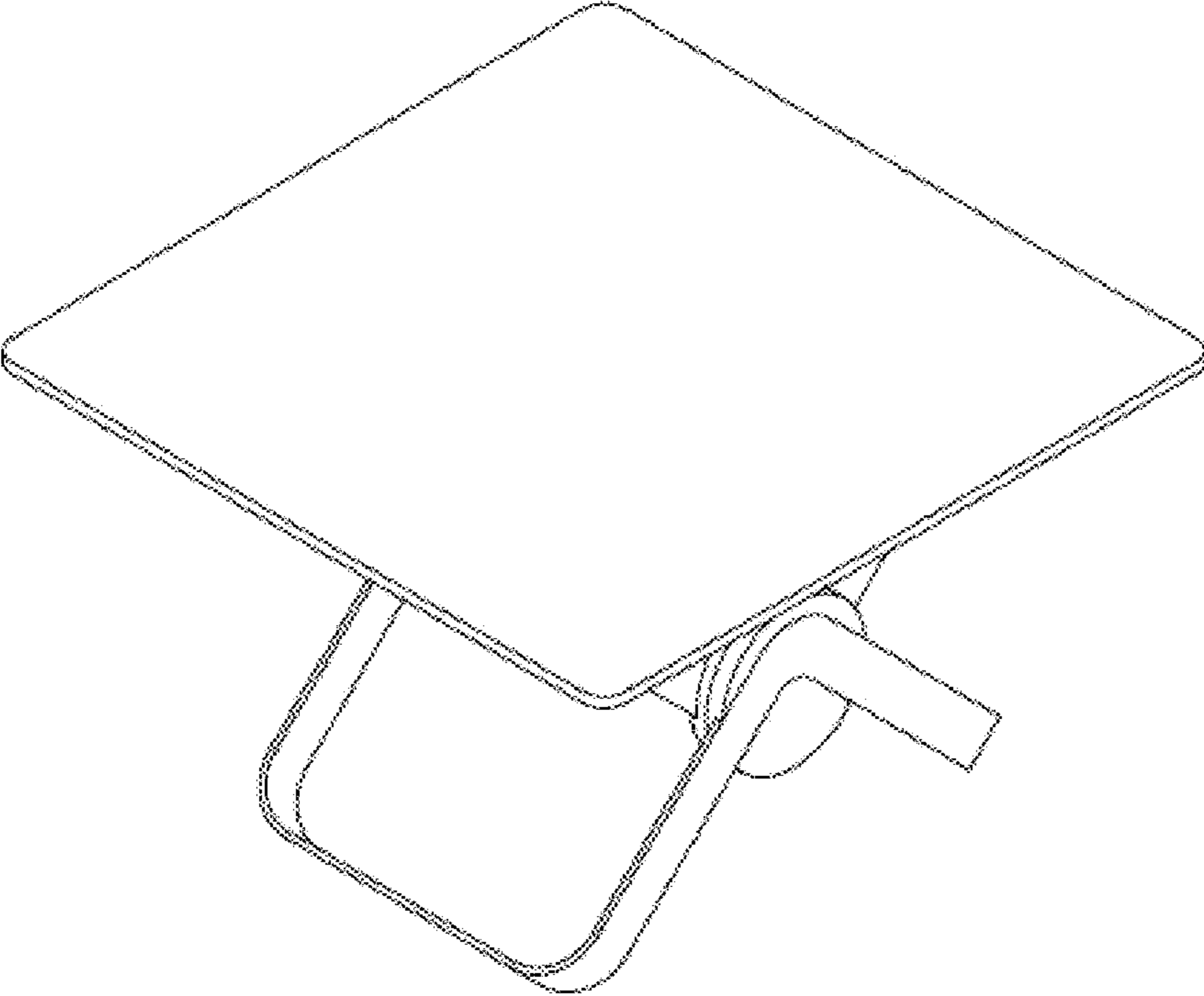


Fig. 4

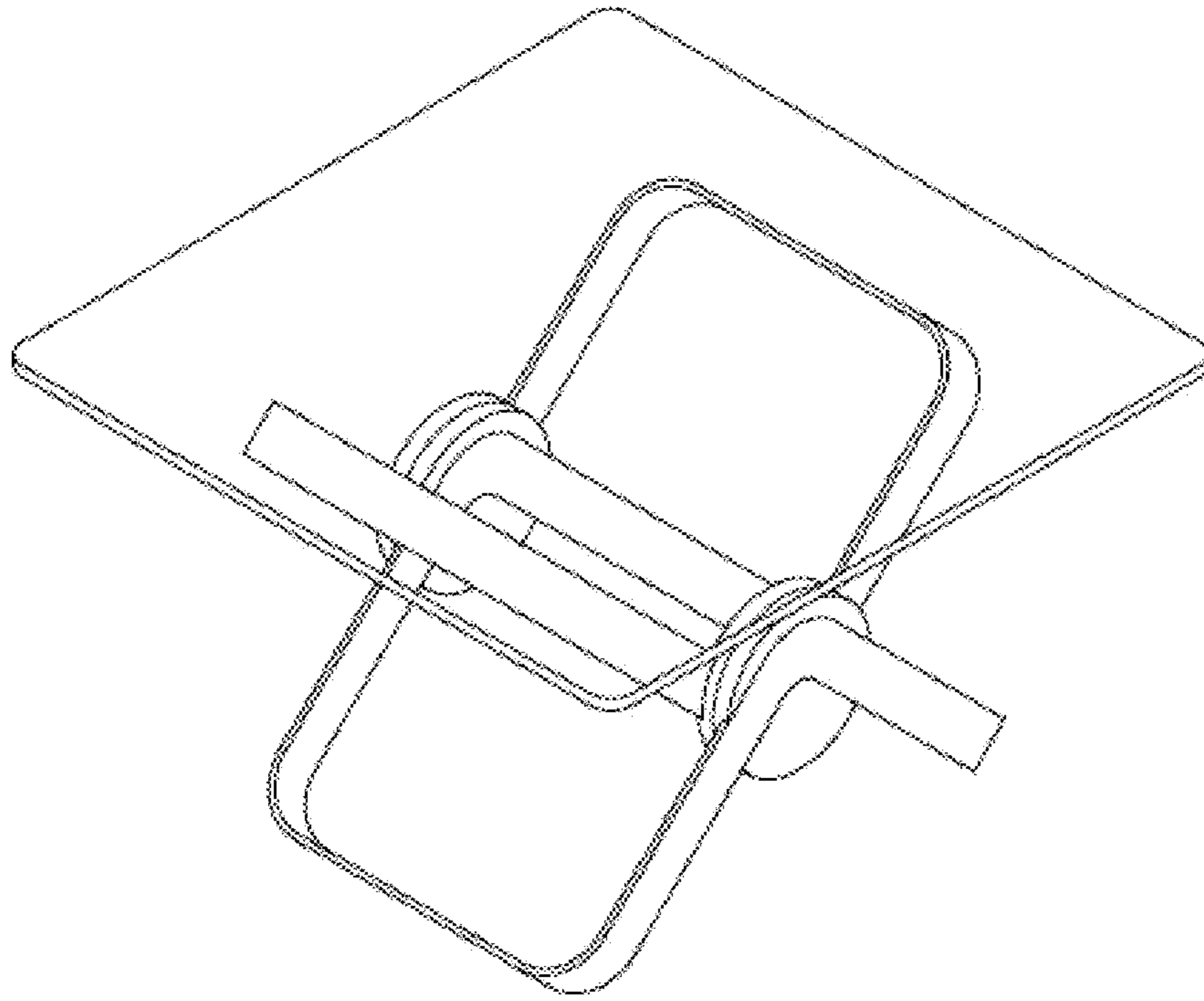


Fig. 5

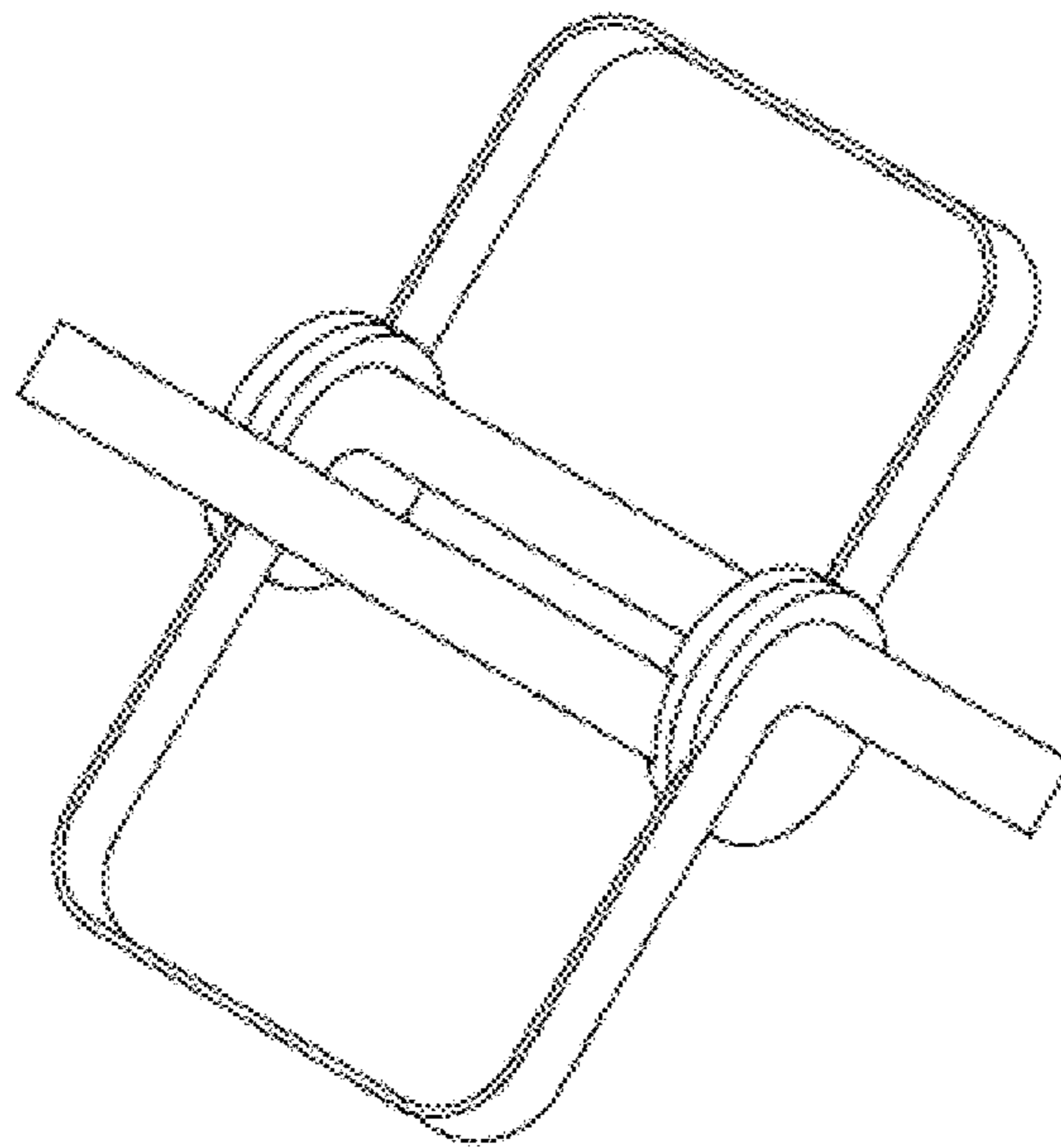


Fig. 6

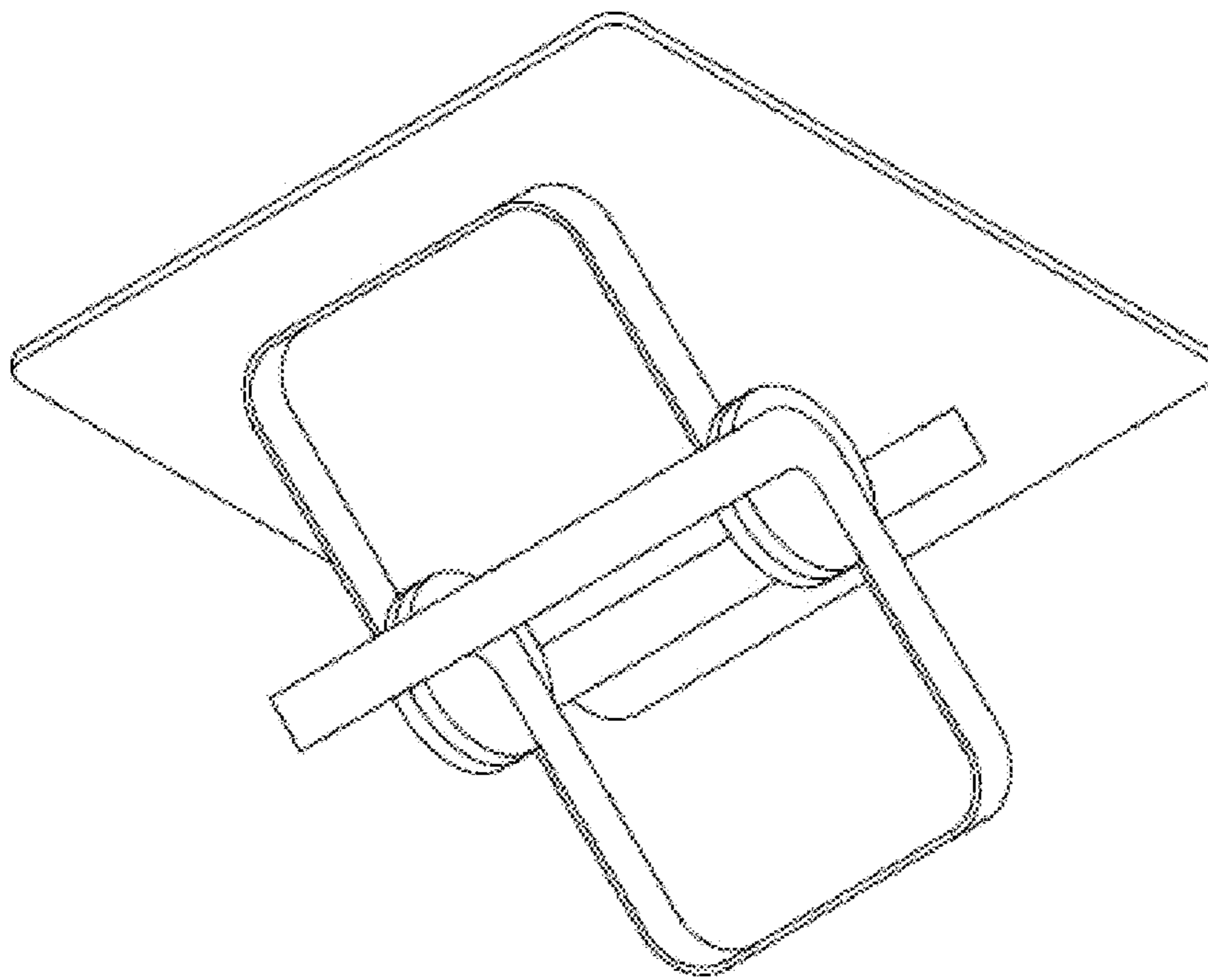


Fig. 7

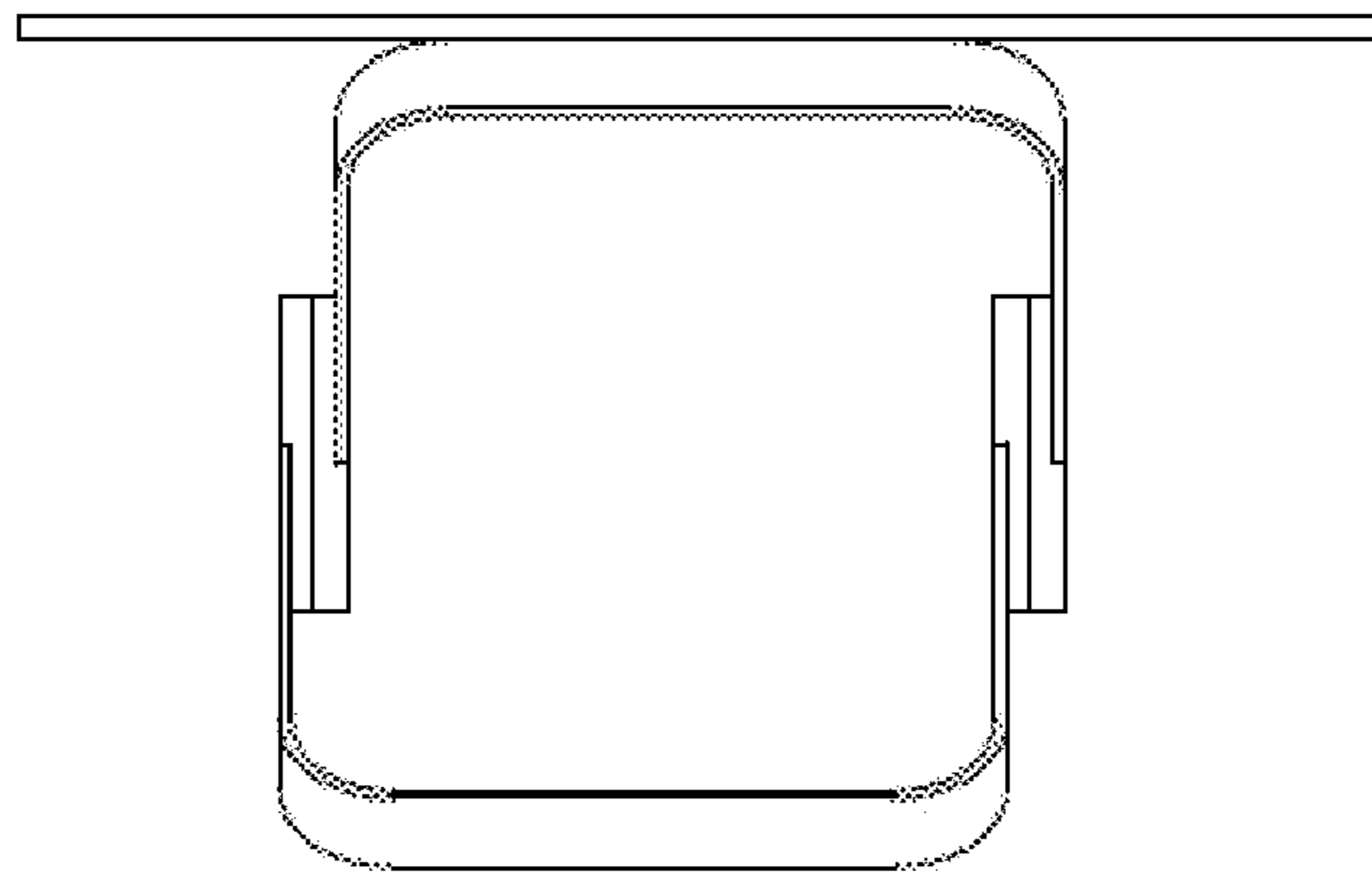


Fig. 8

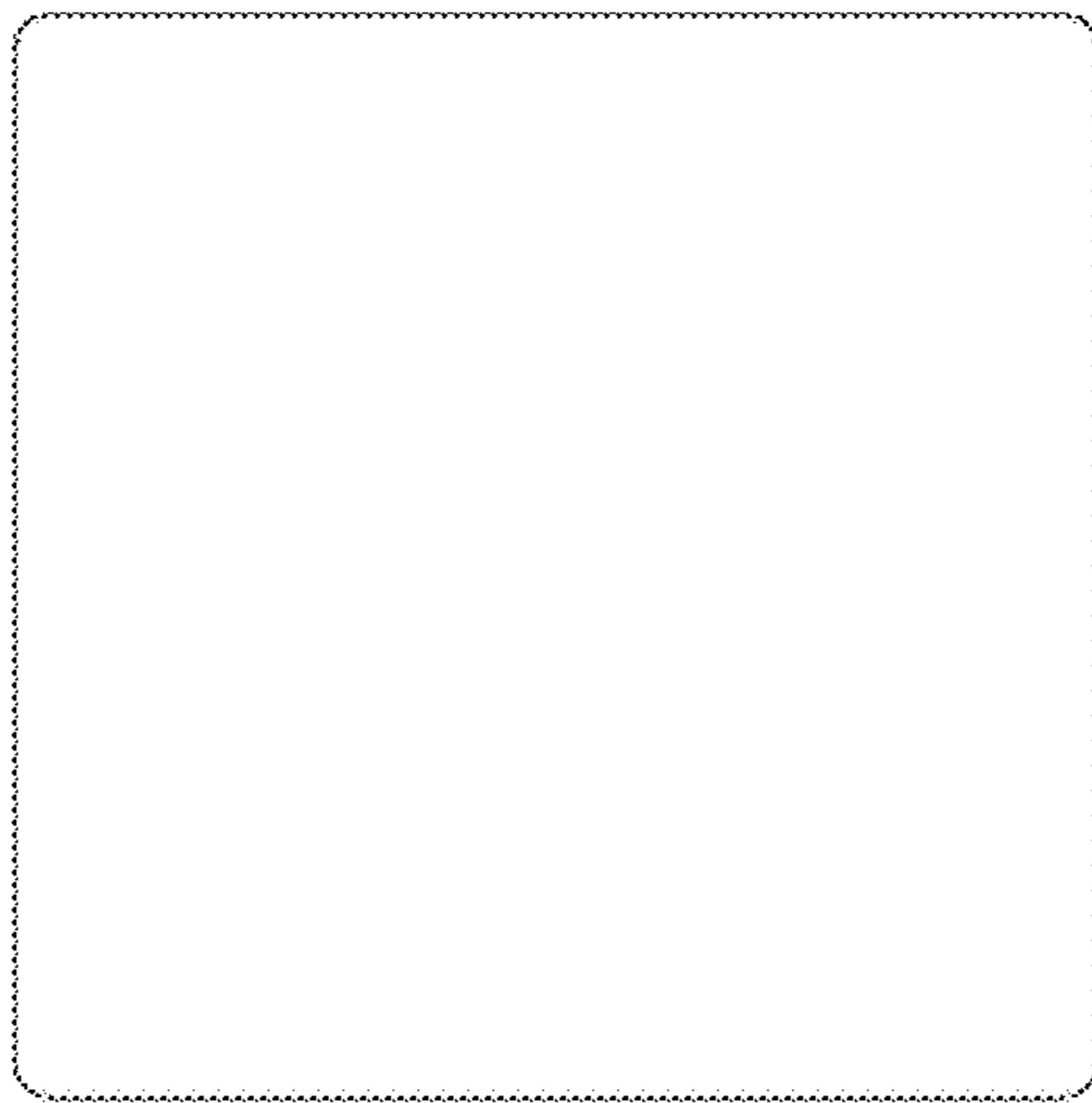


Fig. 9