



US00D793780S

(12) **United States Design Patent** (10) **Patent No.:** **US D793,780 S**  
**Wu** (45) **Date of Patent:** **\*\* Aug. 8, 2017**

(54) **TABLE**

(71) Applicant: **HANGZHOU SICCO  
ART-TECHNOLOGY CO., LTD,**  
Hangzhou (CN)

(72) Inventor: **Zuoguang Wu,** Hangzhou (CN)

(73) Assignee: **HANGZHOU SICCO  
ART-TECHNOLOGY CO., LTD,**  
Hangzhou (CN)

(\*\*) Term: **14 Years**

(21) Appl. No.: **29/525,783**

(22) Filed: **May 2, 2015**

(30) **Foreign Application Priority Data**

Nov. 4, 2014 (CN) ..... 2014 3 0430341

(51) **LOC (10) Cl.** ..... **06-04**

(52) **U.S. Cl.**  
USPC ..... **D6/691**

(58) **Field of Classification Search**  
USPC ..... D6/691, 688.12, 688.1, 692; D21/334,  
D21/367

CPC ..... A47B 25/00; A47B 7/00; A47B 13/00;  
A47B 13/04; A63F 2001/045; A63F 5/00  
See application file for complete search history.

(56) **References Cited**

**U.S. PATENT DOCUMENTS**

D520,077 S \* 5/2006 Voden ..... D21/397  
D629,483 S \* 12/2010 Davis ..... D21/783

D663,785 S \* 7/2012 Walsh ..... D21/375  
D712,979 S \* 9/2014 Cohen ..... D21/397  
D735,505 S \* 8/2015 Baraldi ..... D6/690  
D759,179 S \* 6/2016 Meyers ..... D21/783  
2010/0072700 A1\* 3/2010 Jones ..... A63F 5/00  
273/142 R  
2010/0102507 A1\* 4/2010 Bontempo ..... A63F 5/00  
273/142 R  
2012/0276977 A1\* 11/2012 Leczek ..... G07F 17/3239  
463/17  
2013/0040720 A1\* 2/2013 Cammegh ..... A63F 5/00  
463/17  
2013/0214486 A1\* 8/2013 Shelburn ..... A63F 5/0088  
273/142 E  
2016/0016074 A1\* 1/2016 Jones ..... A63F 3/00157  
273/144 B

\* cited by examiner

*Primary Examiner* — Rosemary K Tarca

*Assistant Examiner* — James Thorn, Sr.

(57) **CLAIM**

The ornamental design for a table, as shown and described.

**DESCRIPTION**

FIG. 1 is a front view of a table incorporating a design in accordance with the present disclosure;  
FIG. 2 is a back view thereof;  
FIG. 3 is a left side view thereof;  
FIG. 4 is a right side view thereof;  
FIG. 5 is a top plan view thereof; and,  
FIG. 6 is a top perspective view thereof.

**1 Claim, 6 Drawing Sheets**



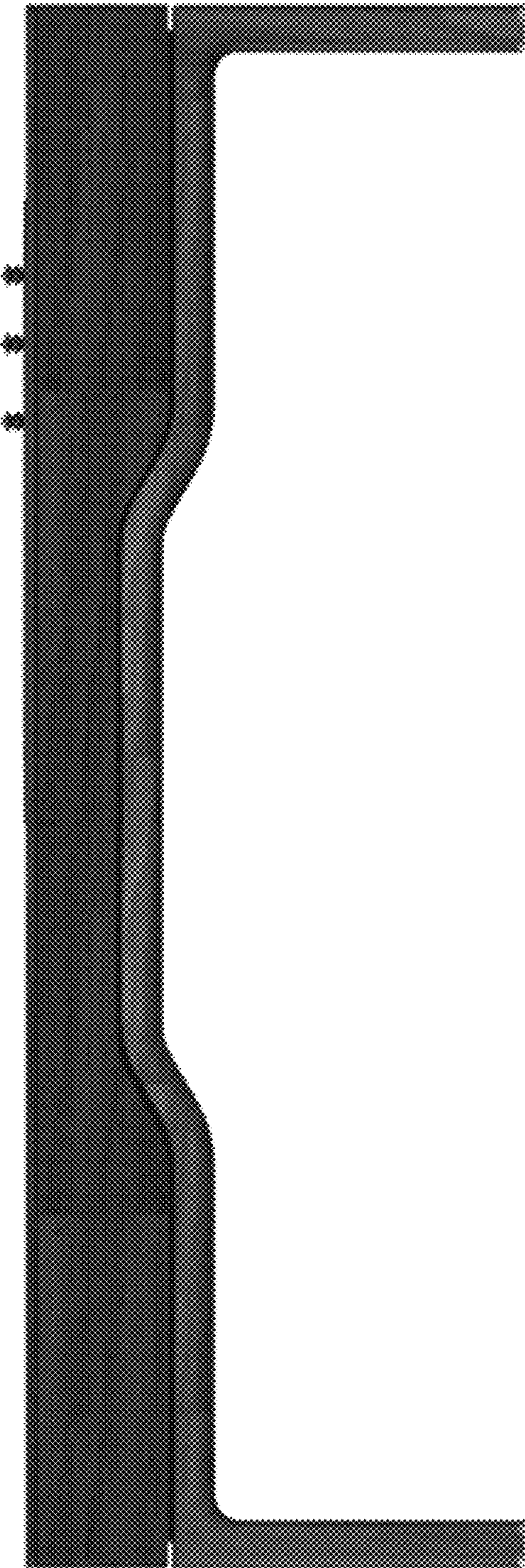


Figure 1



Figure 2

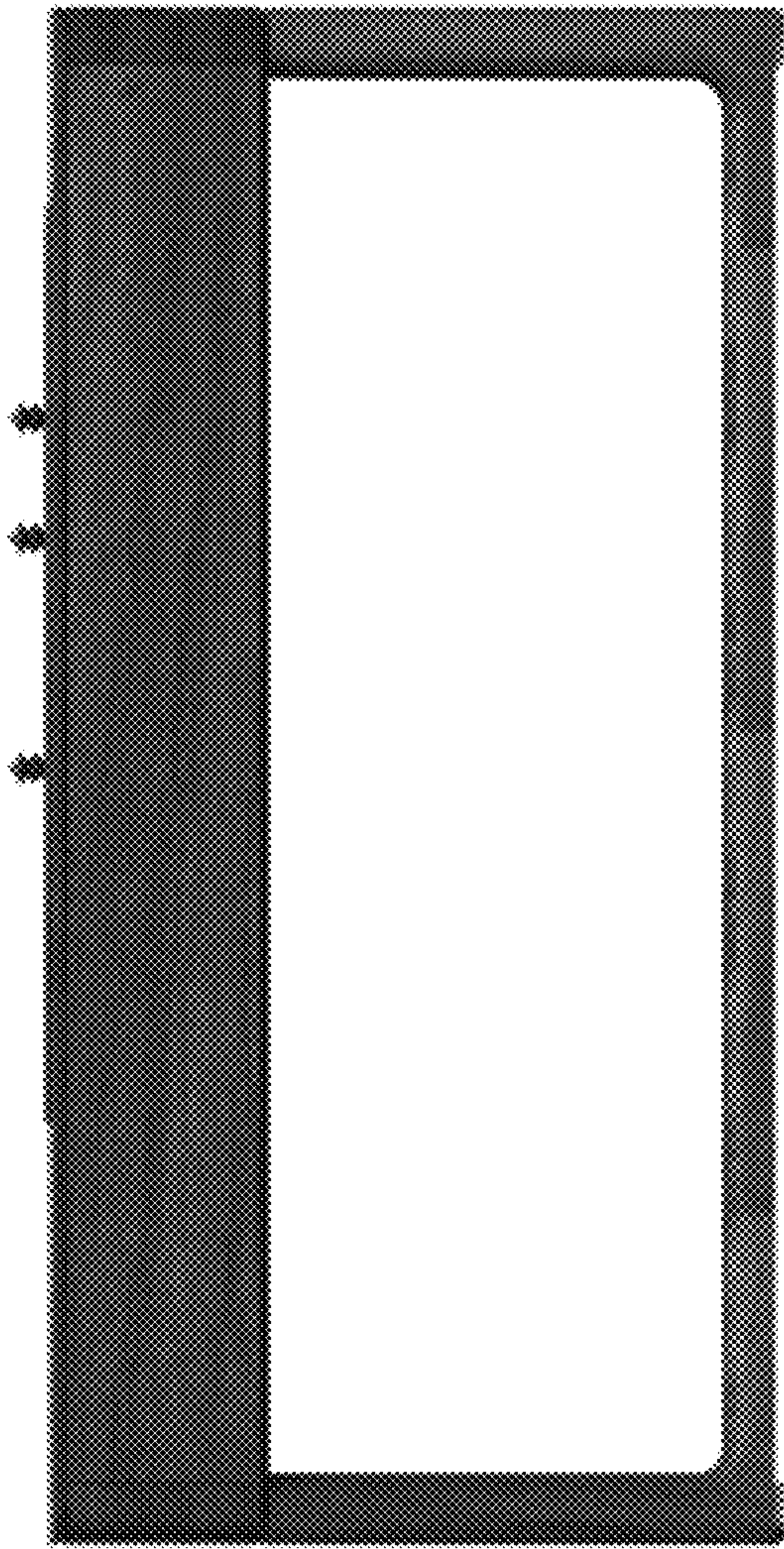


Figure 3

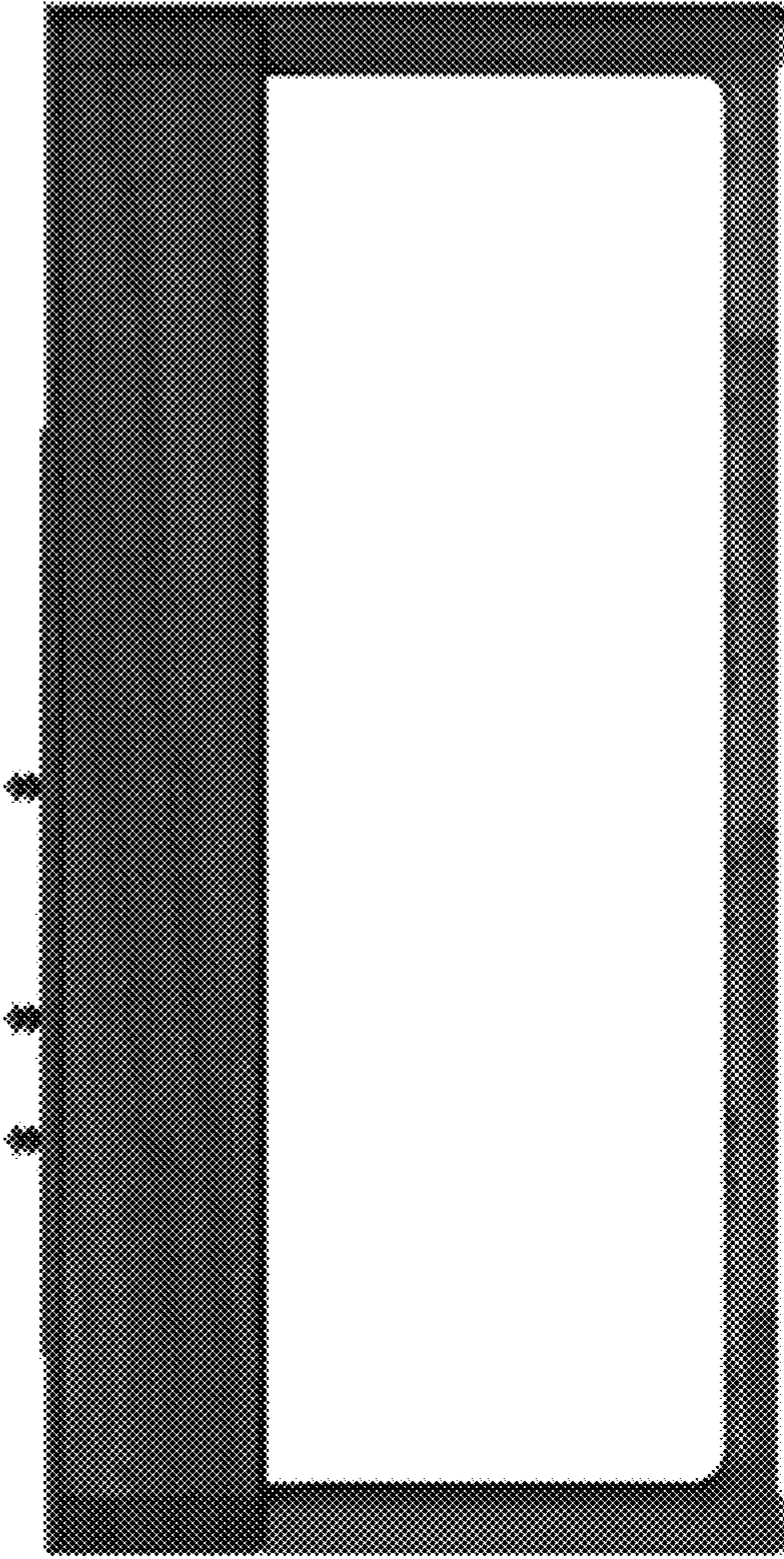


Figure 4

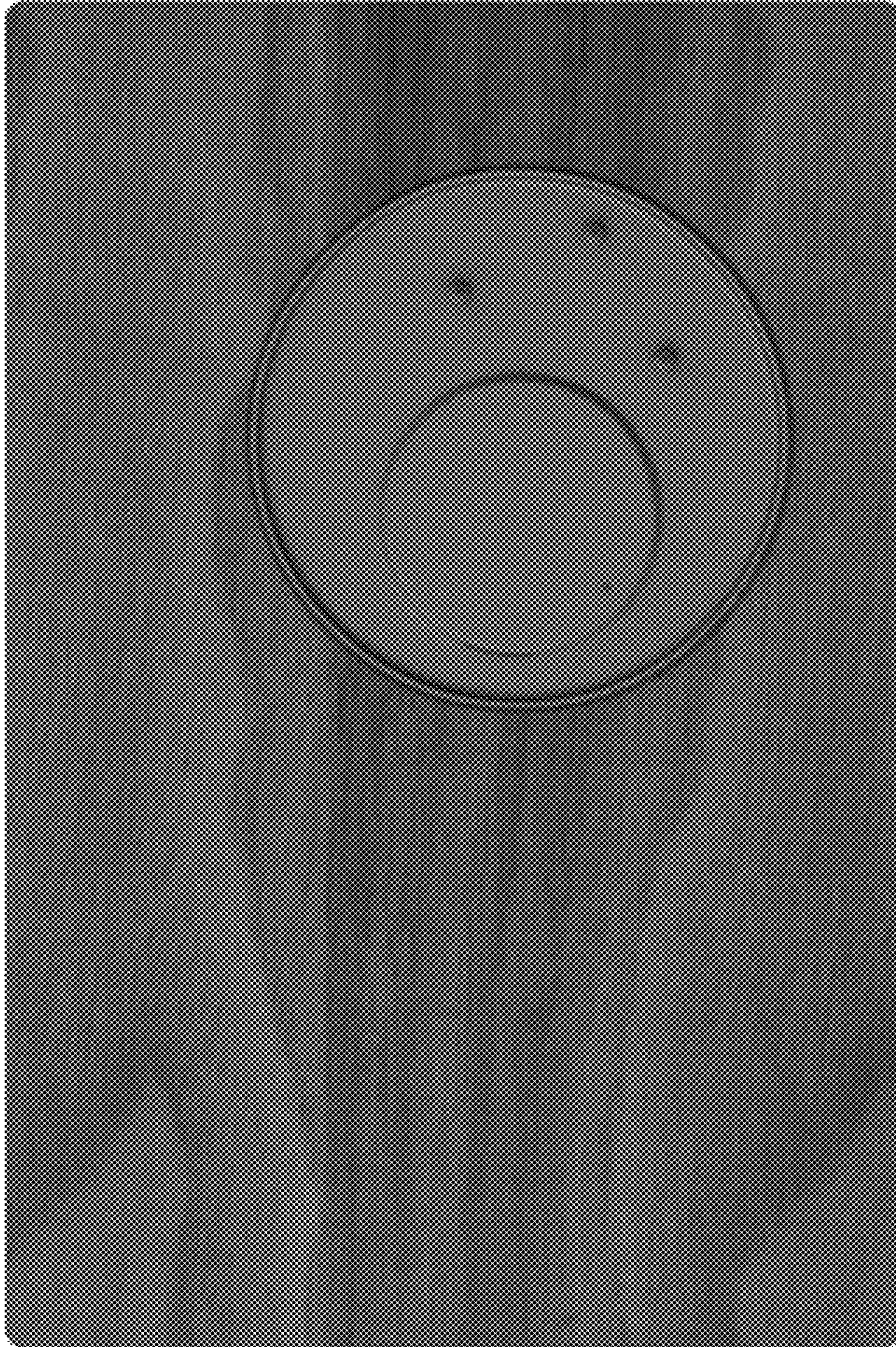


Figure 5

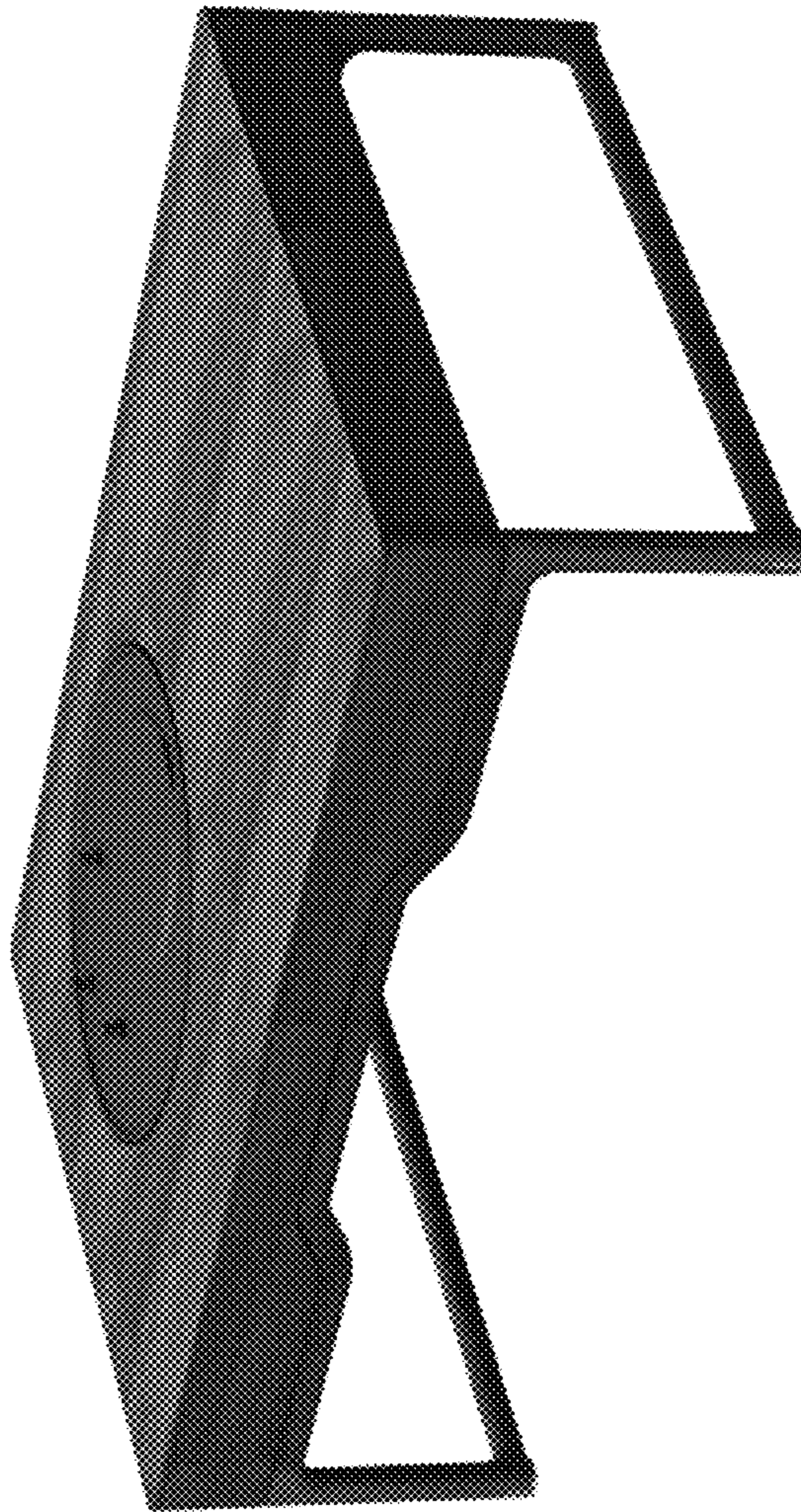


Figure 6