

US00D793779S

(12) **United States Design Patent** (10) **Patent No.:** **US D793,779 S**  
**Van Landingham, Jr. et al.** (45) **Date of Patent:** **\*\* Aug. 8, 2017**

(54) **STAND**

D686,852 S 7/2013 Lalo  
D696,674 S 12/2013 Vogel  
D702,576 S \* 4/2014 McKinney ..... D10/106.1  
(Continued)

(71) Applicant: **InVue Security Products Inc.**,  
Charlotte, NC (US)

(72) Inventors: **A. Reneau Van Landingham, Jr.**,  
Pineville, NC (US); **Kirk Burmeister,**  
**II**, Charlotte, NC (US)

(73) Assignee: **InVue Security Products Inc.**,  
Charlotte, NC (US)

(\*\*) Term: **15 Years**

(21) Appl. No.: **29/553,618**

(22) Filed: **Feb. 3, 2016**

(51) **LOC (10) Cl.** ..... **06-06**

(52) **U.S. Cl.**  
USPC ..... **D6/682.1**

(58) **Field of Classification Search**  
USPC ..... D6/512, 672, 673, 675, 682, 682.1,  
D6/682.3; D14/217, 224  
CPC ..... A47F 5/00; A47F 5/04; A47F 5/06; A47F  
7/00; A47F 5/16  
See application file for complete search history.

(56) **References Cited**

**U.S. PATENT DOCUMENTS**

D239,681 S 4/1976 Smith  
D244,857 S 6/1977 Hayes  
D268,150 S 3/1983 Hauser et al.  
D286,960 S 12/1986 Taub  
D331,538 S \* 12/1992 Fabre ..... D9/455  
D371,220 S \* 6/1996 Behrens ..... D19/77  
D409,018 S 5/1999 Deuschle  
D415,854 S \* 10/1999 Marcus ..... D28/18  
D452,236 S 12/2001 Kohli  
D542,279 S 5/2007 Chan  
D612,837 S 3/2010 Murray  
D645,047 S 9/2011 Wike  
D663,972 S 7/2012 Alexander et al.  
D666,445 S \* 9/2012 Tharp ..... D6/567

**OTHER PUBLICATIONS**

“Series S1500 Alarm-on-merchandise: proven to provide superior production.”, 2015, 8 pages, InVue Security Products Inc.  
(Continued)

*Primary Examiner* — Kelley Donnelly  
(74) *Attorney, Agent, or Firm* — InVue Security Products Inc.

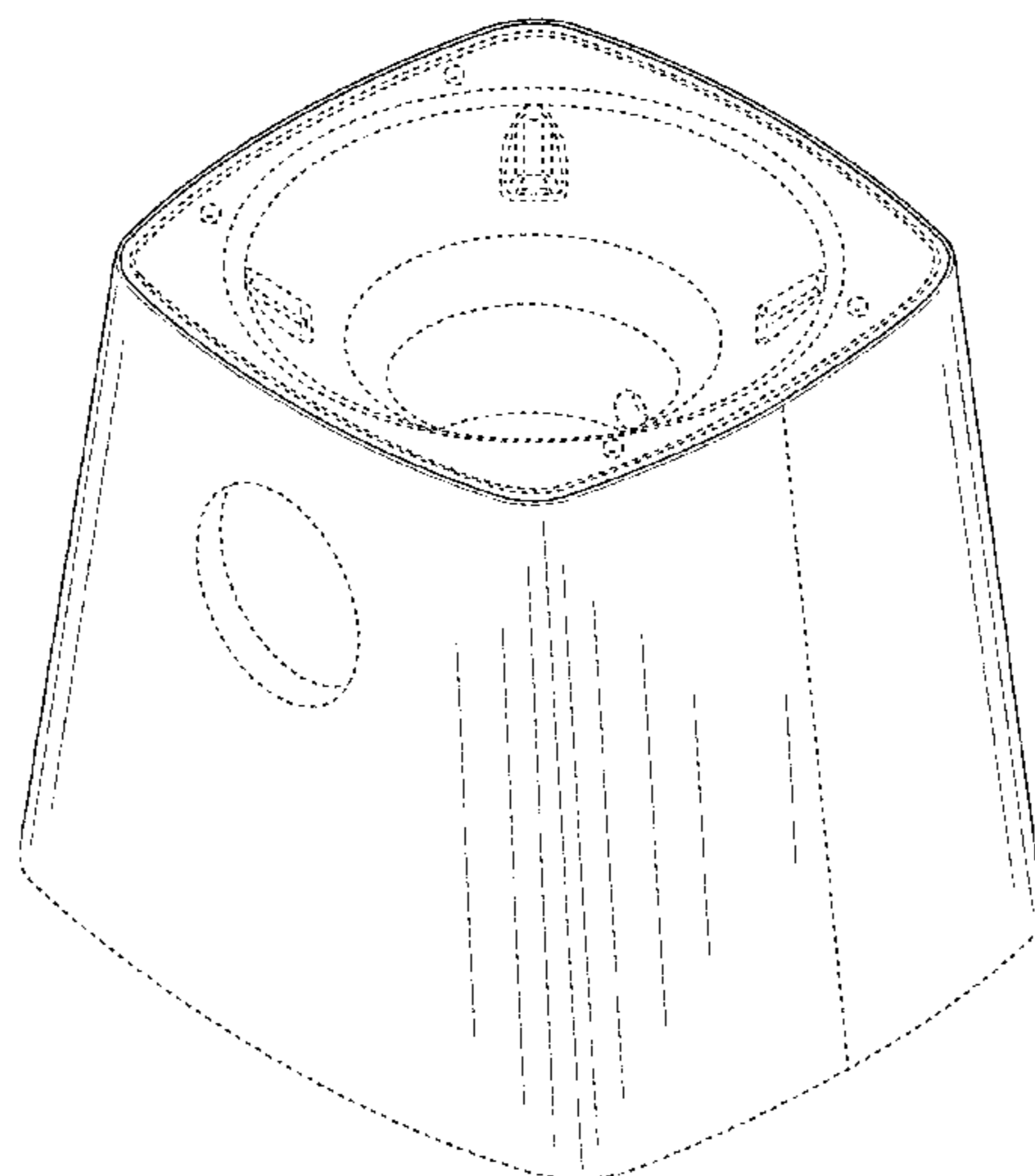
(57) **CLAIM**

We claim the ornamental design for a stand, as shown and described.

**DESCRIPTION**

FIG. 1 is a perspective view of a stand showing my design;  
FIG. 2 is a left side view thereof;  
FIG. 3 is a right side thereof;  
FIG. 4 is rear view thereof;  
FIG. 5 is front view thereof;  
FIG. 6 is a top view thereof;  
FIG. 7 is a bottom view thereof;  
FIG. 8 is a perspective view of a stand showing another embodiment of my design;  
FIG. 9 is a left side view thereof;  
FIG. 10 is a right view thereof;  
FIG. 11 is rear view thereof;  
FIG. 12 is front view thereof;  
FIG. 13 is a top view thereof; and,  
FIG. 14 is a bottom view thereof.  
The broken lines are directed to environment and are for illustrative purposes only. The broken lines form no part of the claimed design.

**1 Claim, 12 Drawing Sheets**



(56)

**References Cited**

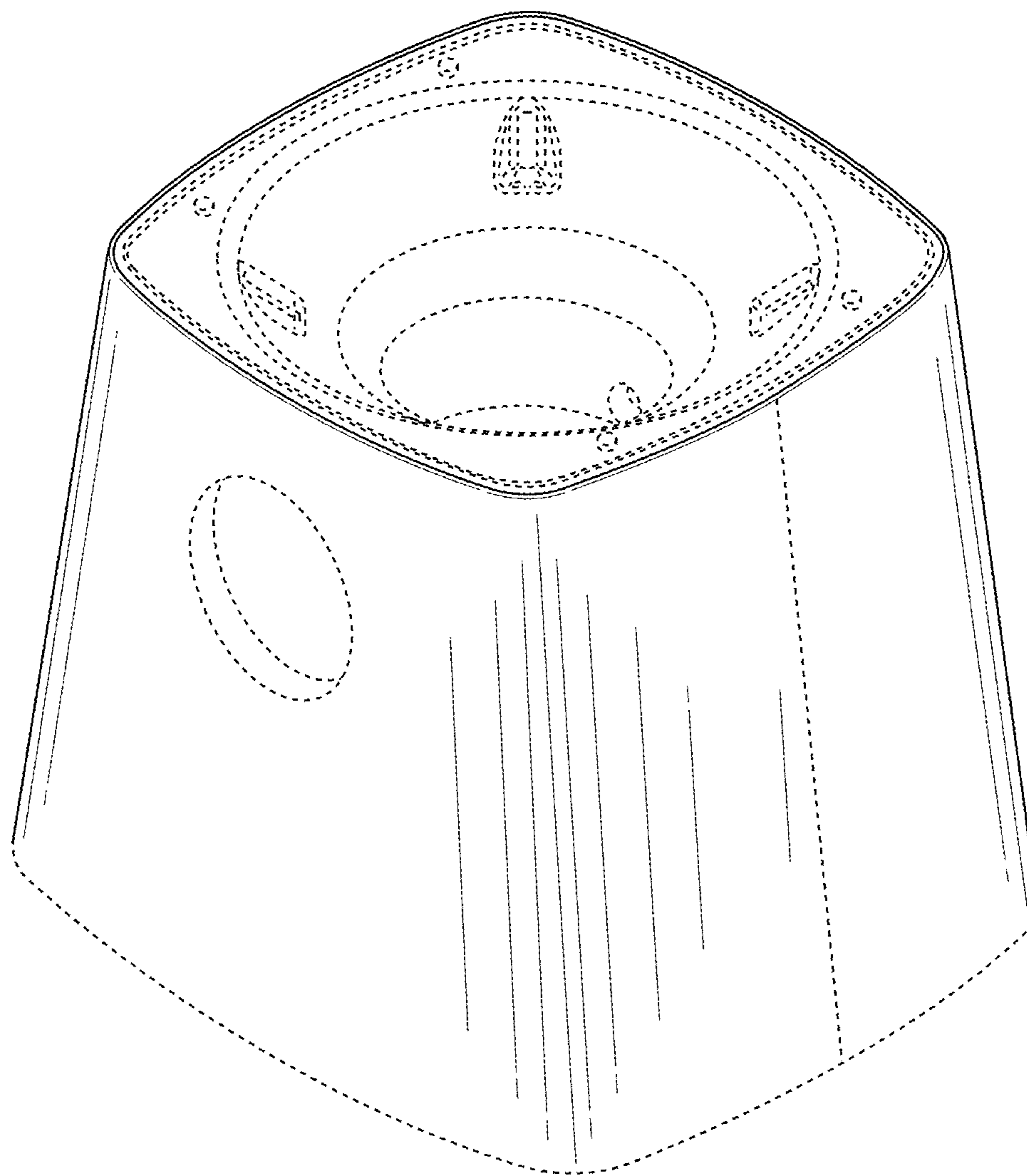
U.S. PATENT DOCUMENTS

D720,752 S 1/2015 Bleads  
D728,575 S 5/2015 David et al.  
D728,576 S 5/2015 David et al.  
D741,093 S \* 10/2015 McKinney ..... D6/677  
D756,152 S 5/2016 Schwalbach et al.  
D763,619 S \* 8/2016 Girardi ..... D7/306  
D770,817 S \* 11/2016 Bertola ..... D6/682.3  
D776,536 S \* 1/2017 Emoff ..... D9/455  
2007/0145210 A1 6/2007 Fawcett et al.  
2011/0047844 A1 3/2011 Fawcett et al.  
2014/0106608 A1 4/2014 Howarth et al.

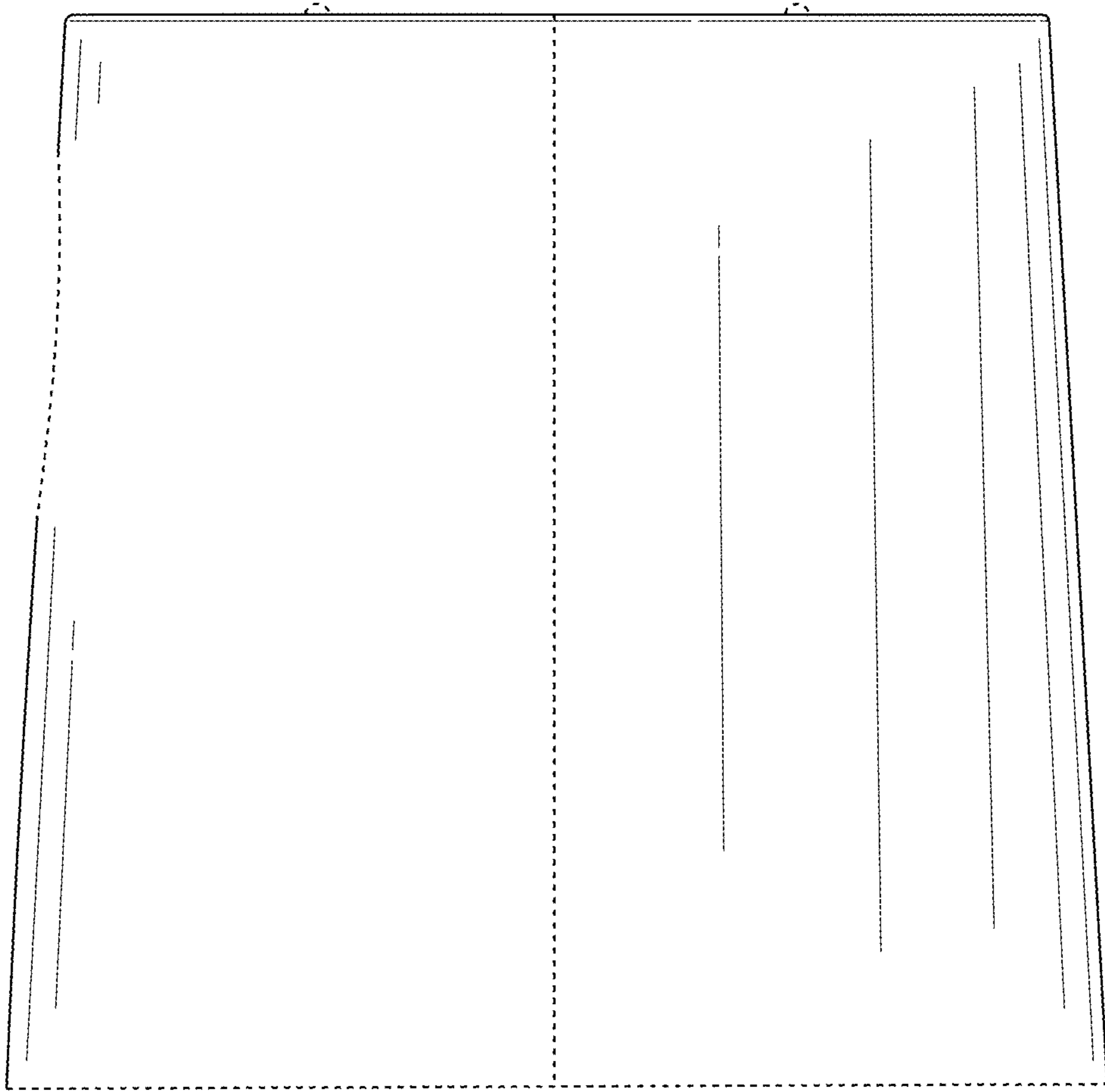
OTHER PUBLICATIONS

“Series HS150 Easy-Lift™ high security.”, 2015, 8 pages, InVue Security Products Inc.  
“Series HS400 Thieves won’t beat it. Customers will love it.”, 2015, 8 pages, InVue Security Products Inc.  
U.S. Appl. No. 29/542,133, filed Oct. 12, 2015.

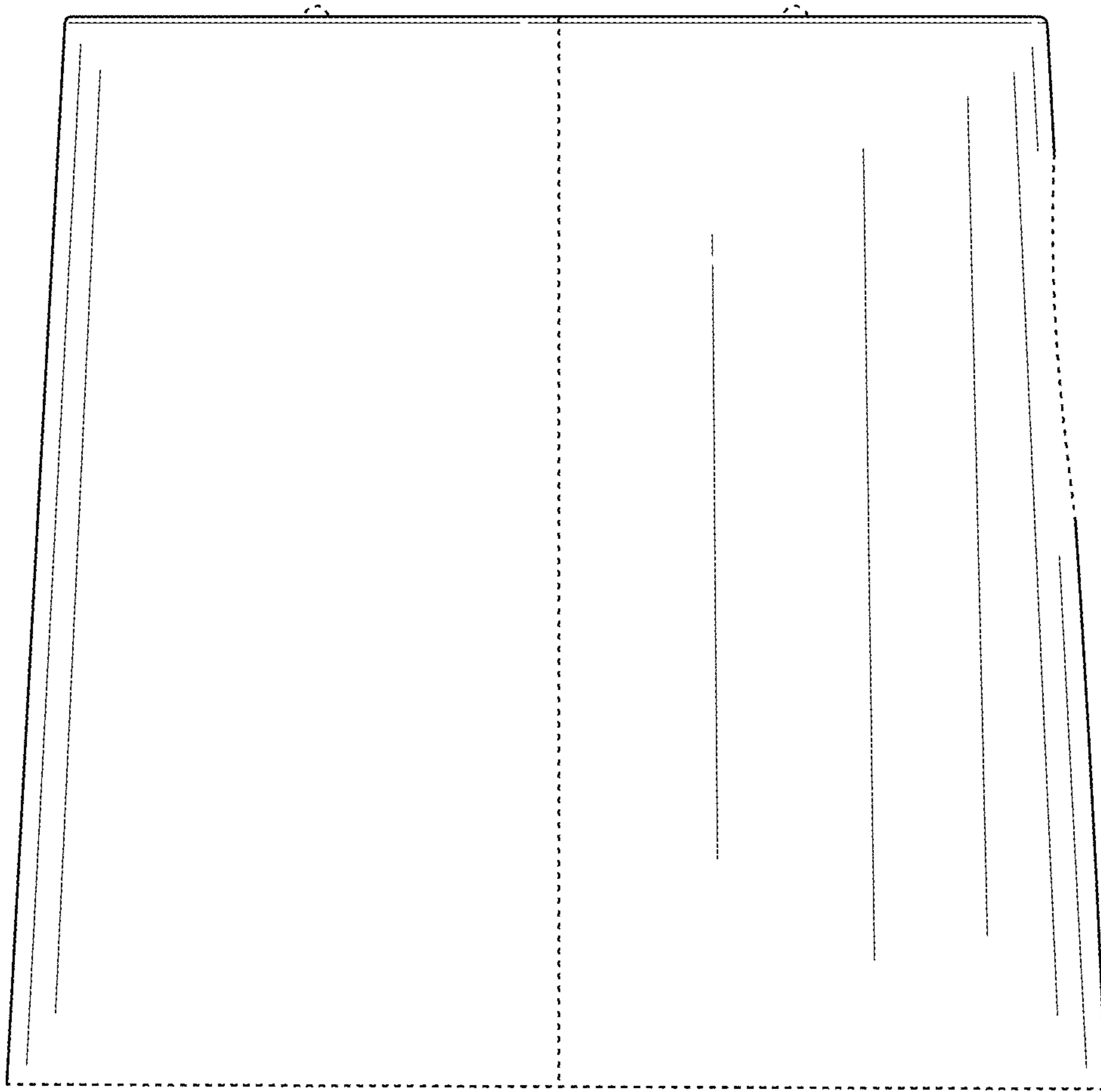
\* cited by examiner



**FIG. 1**



**FIG. 2**



**FIG. 3**

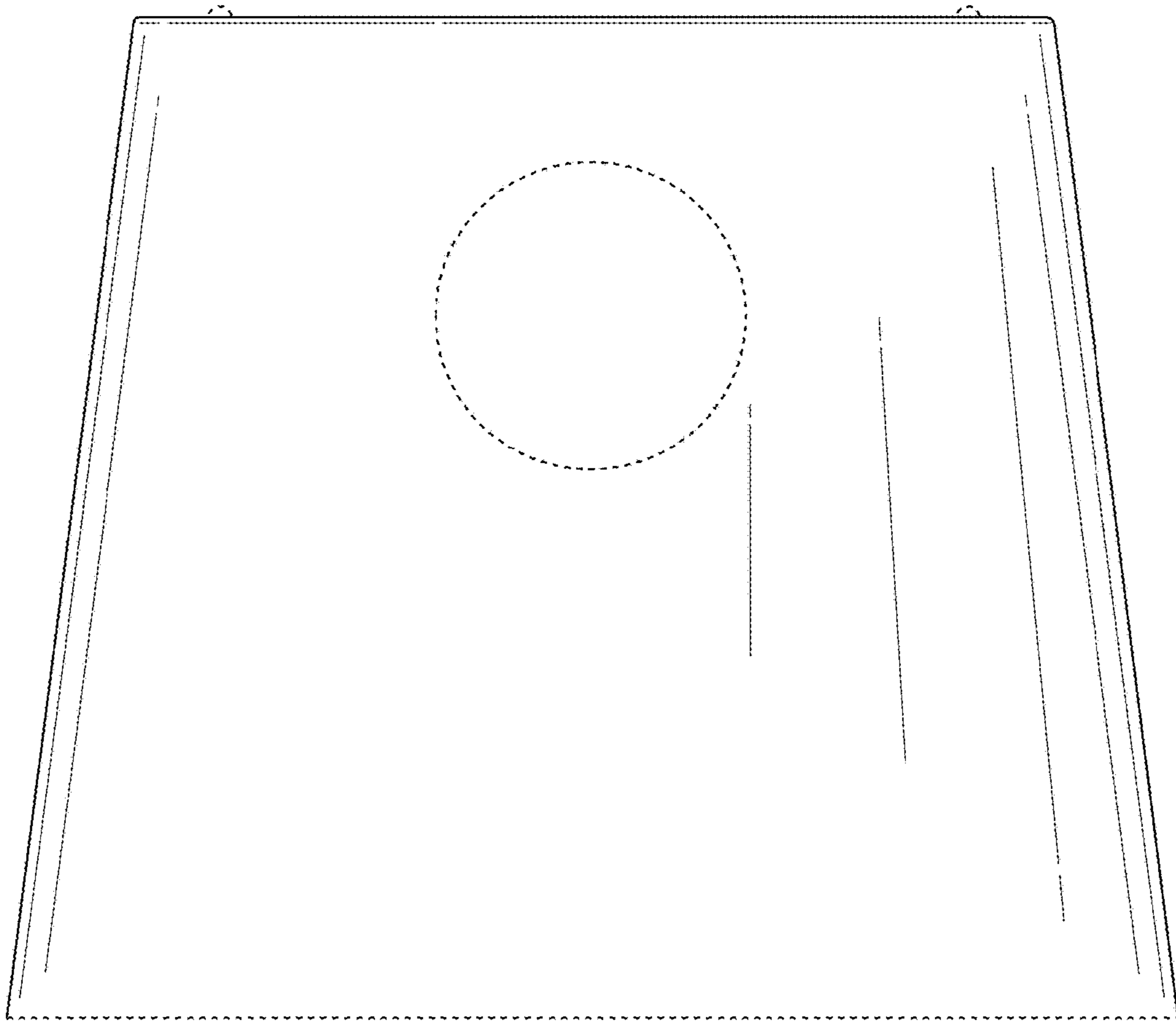


FIG. 4

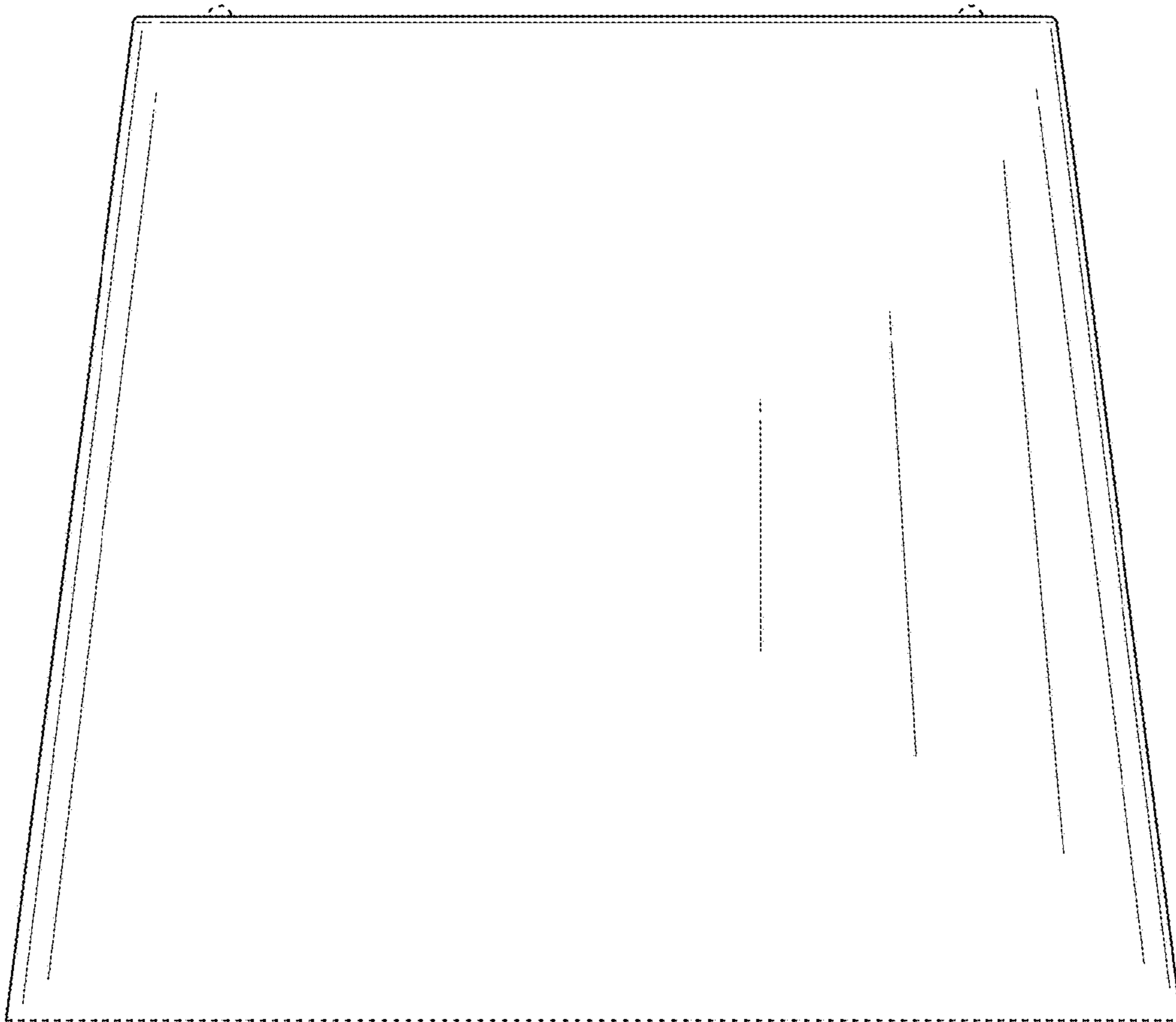


FIG. 5

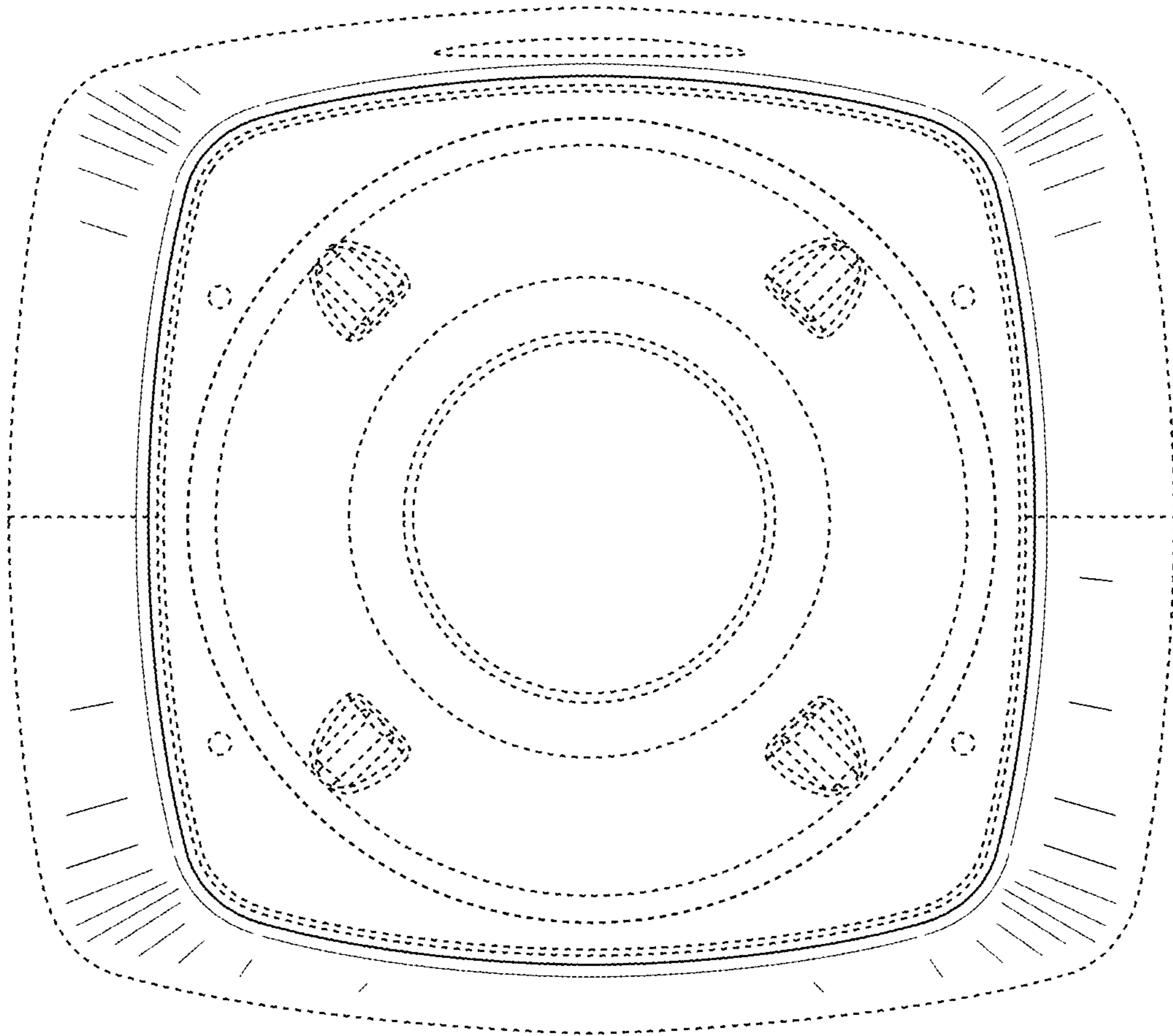
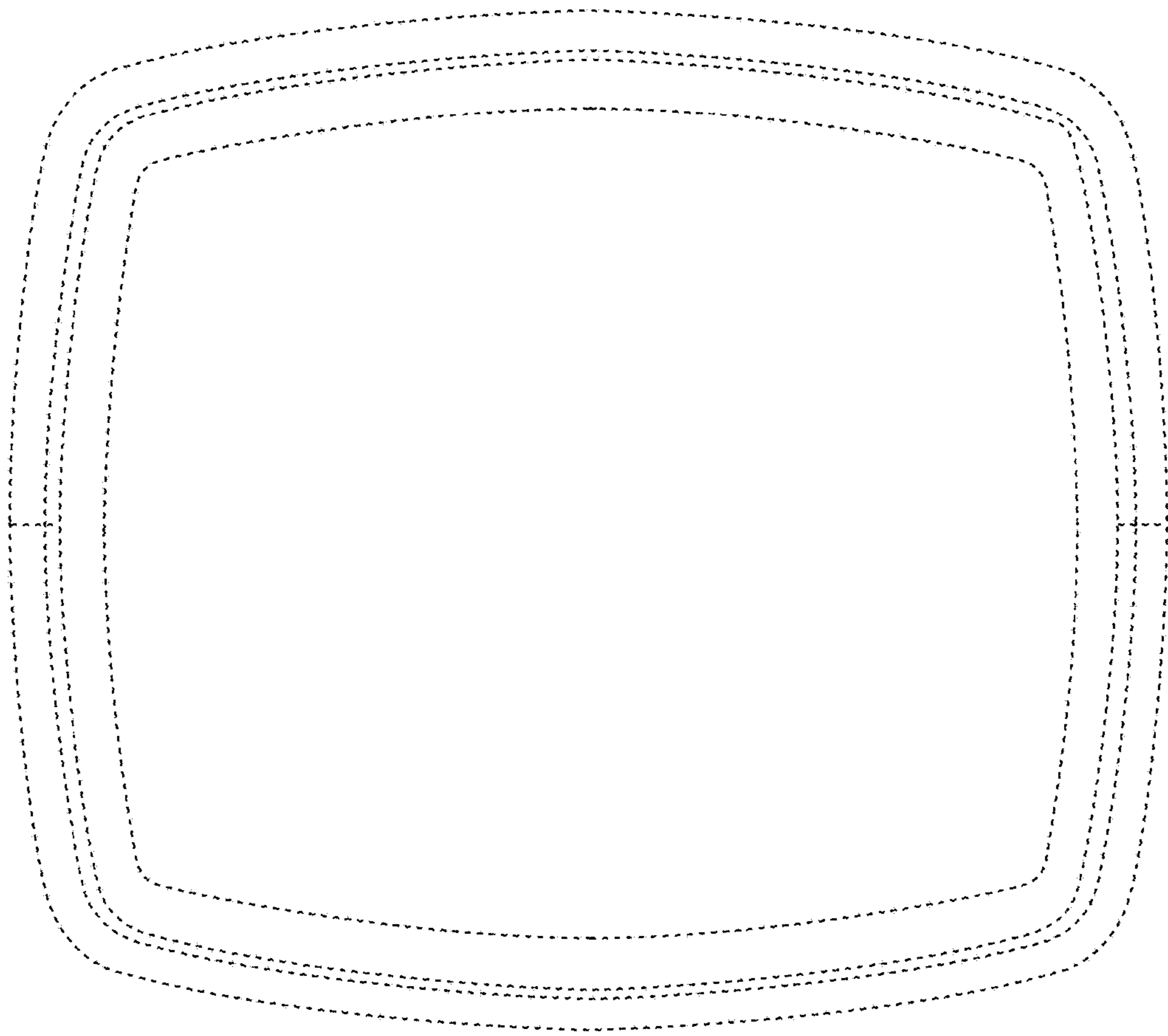
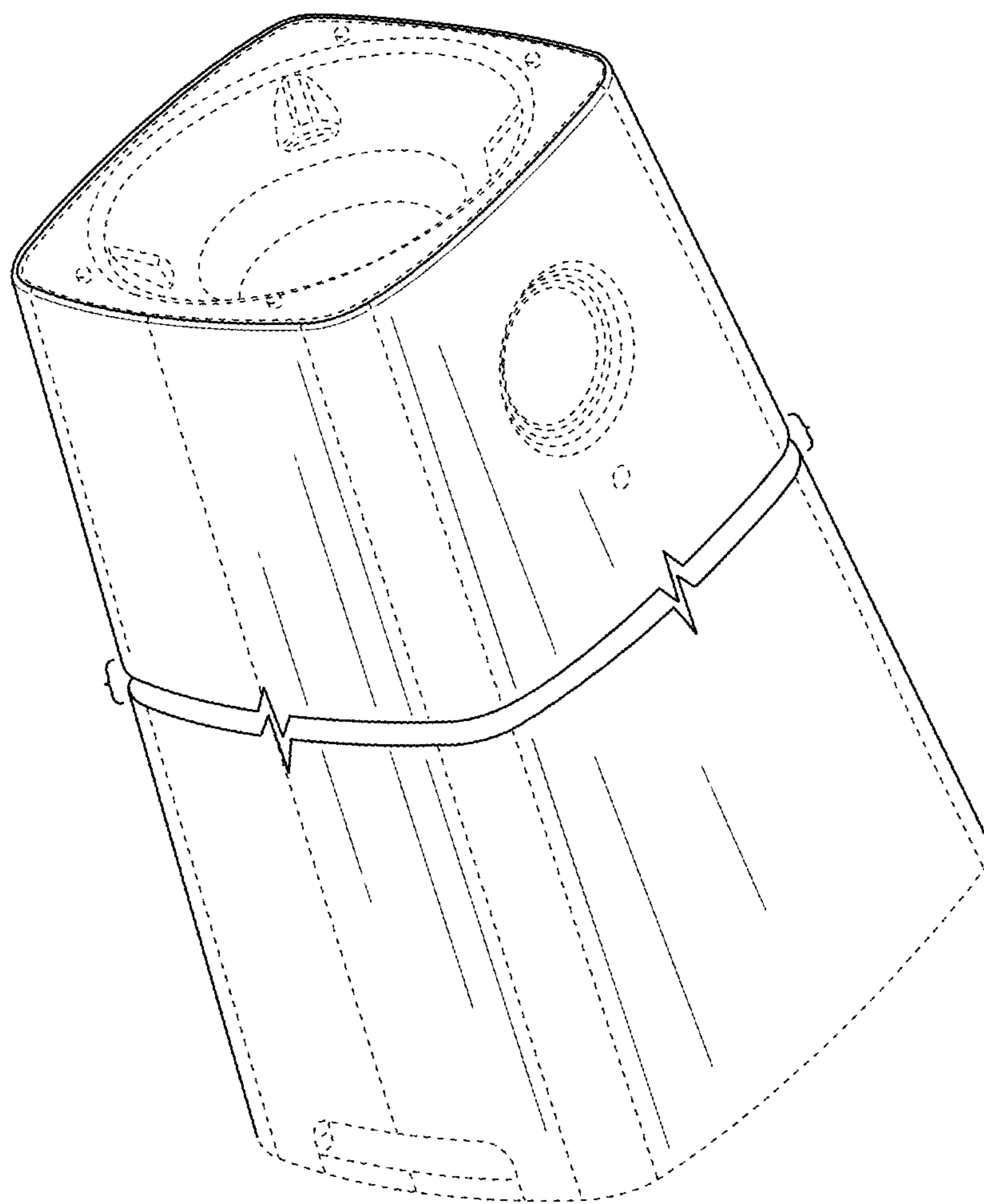


FIG. 6





**FIG. 7**



**FIG. 8**

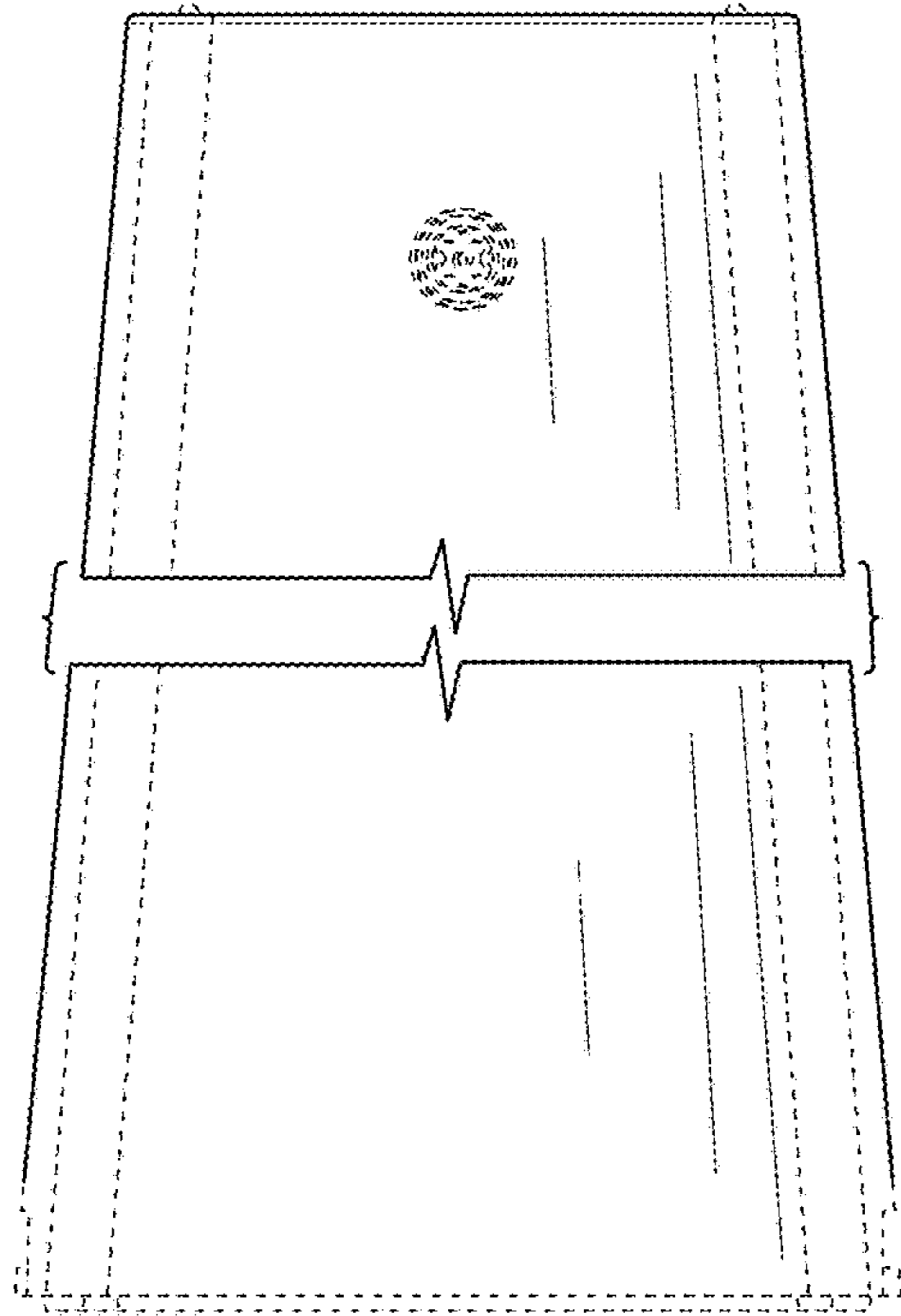


FIG. 9

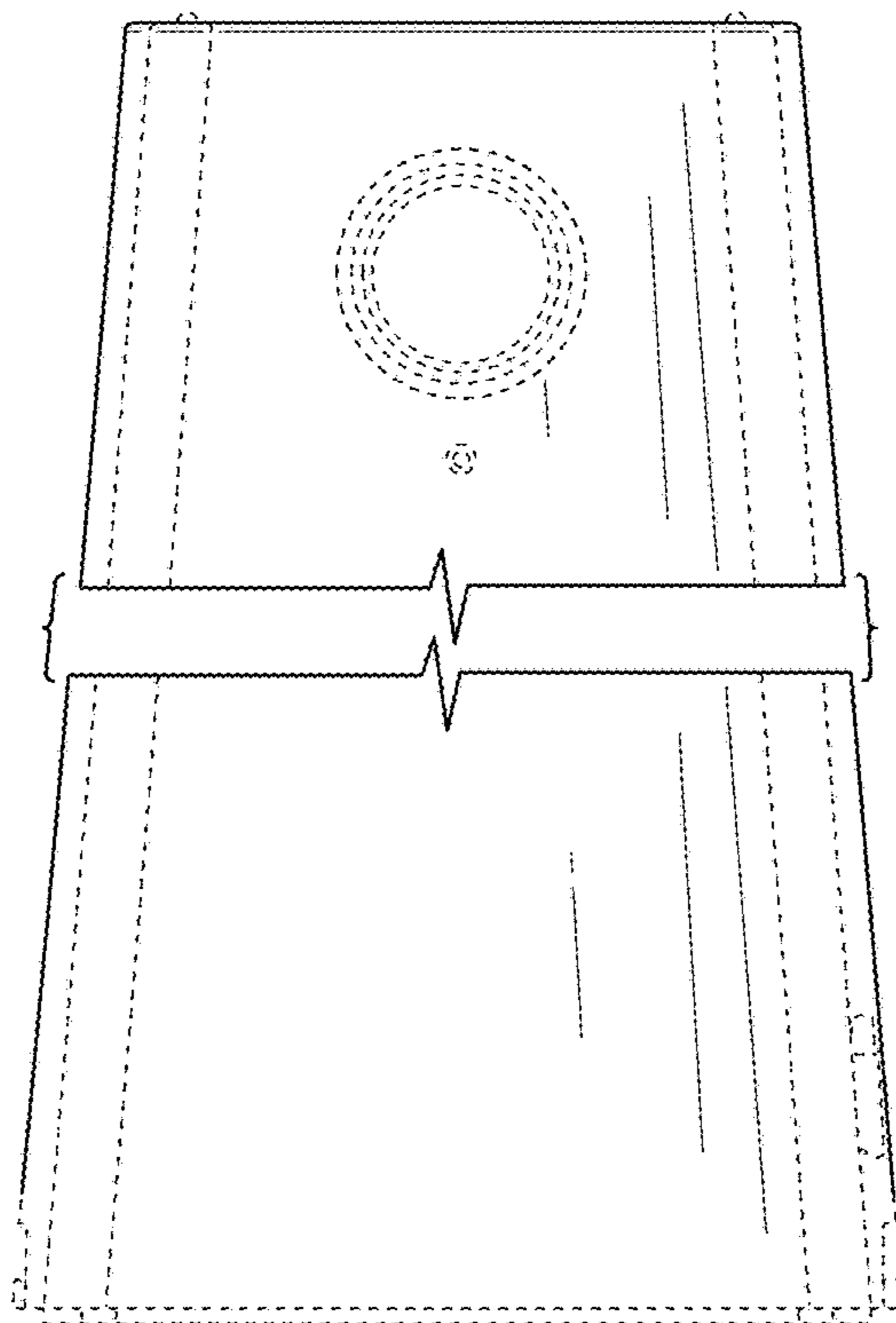
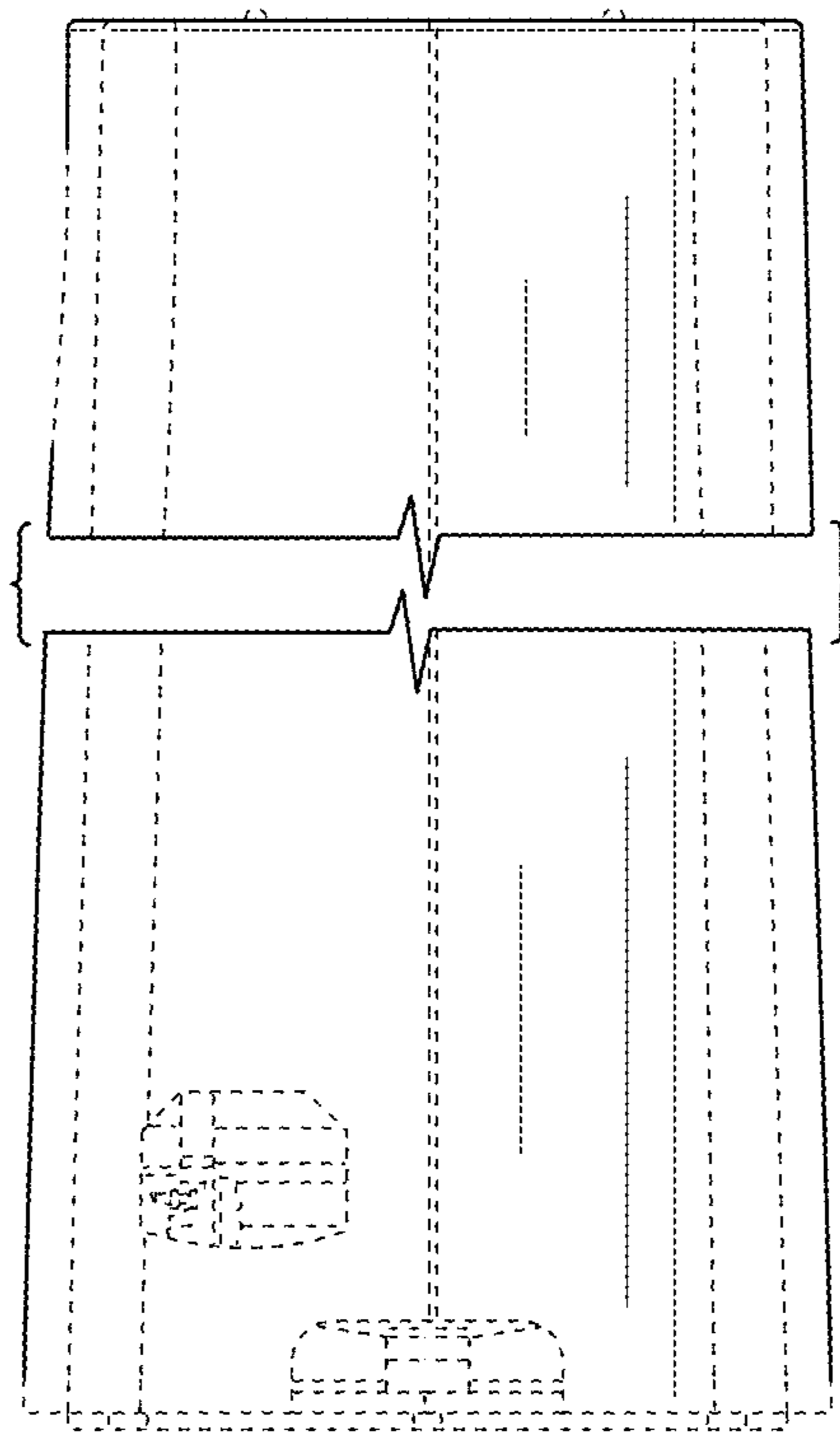
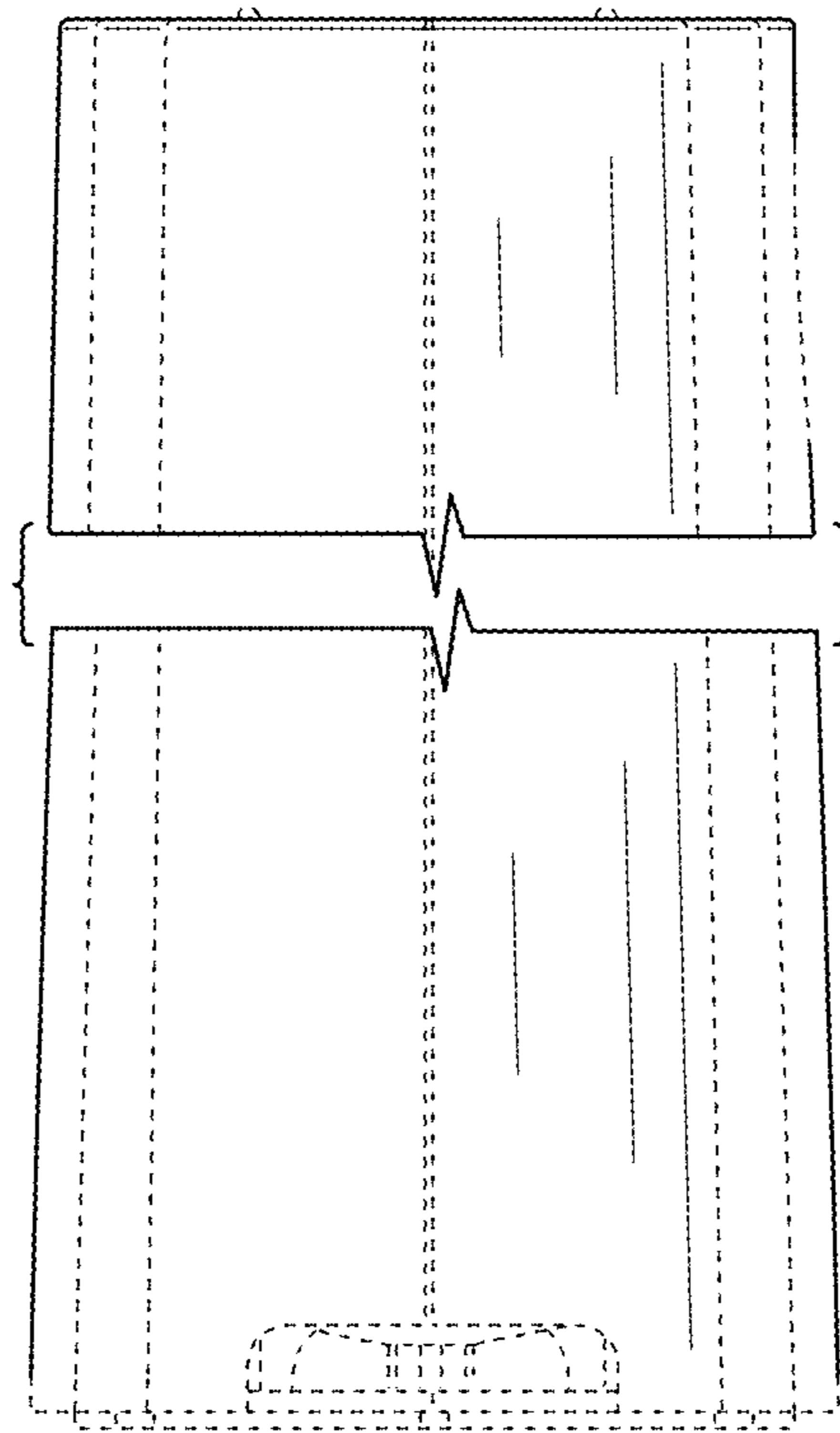


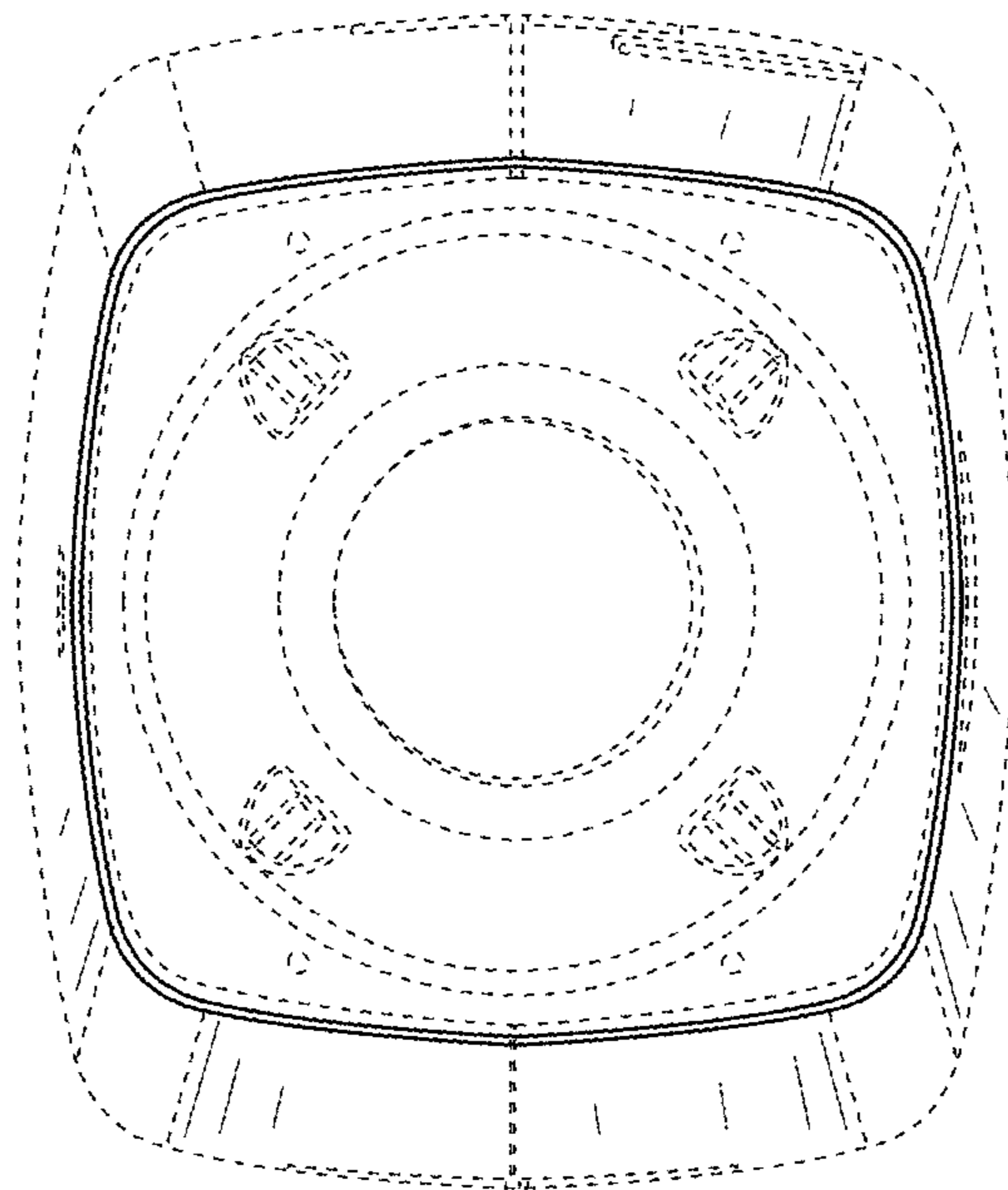
FIG. 10



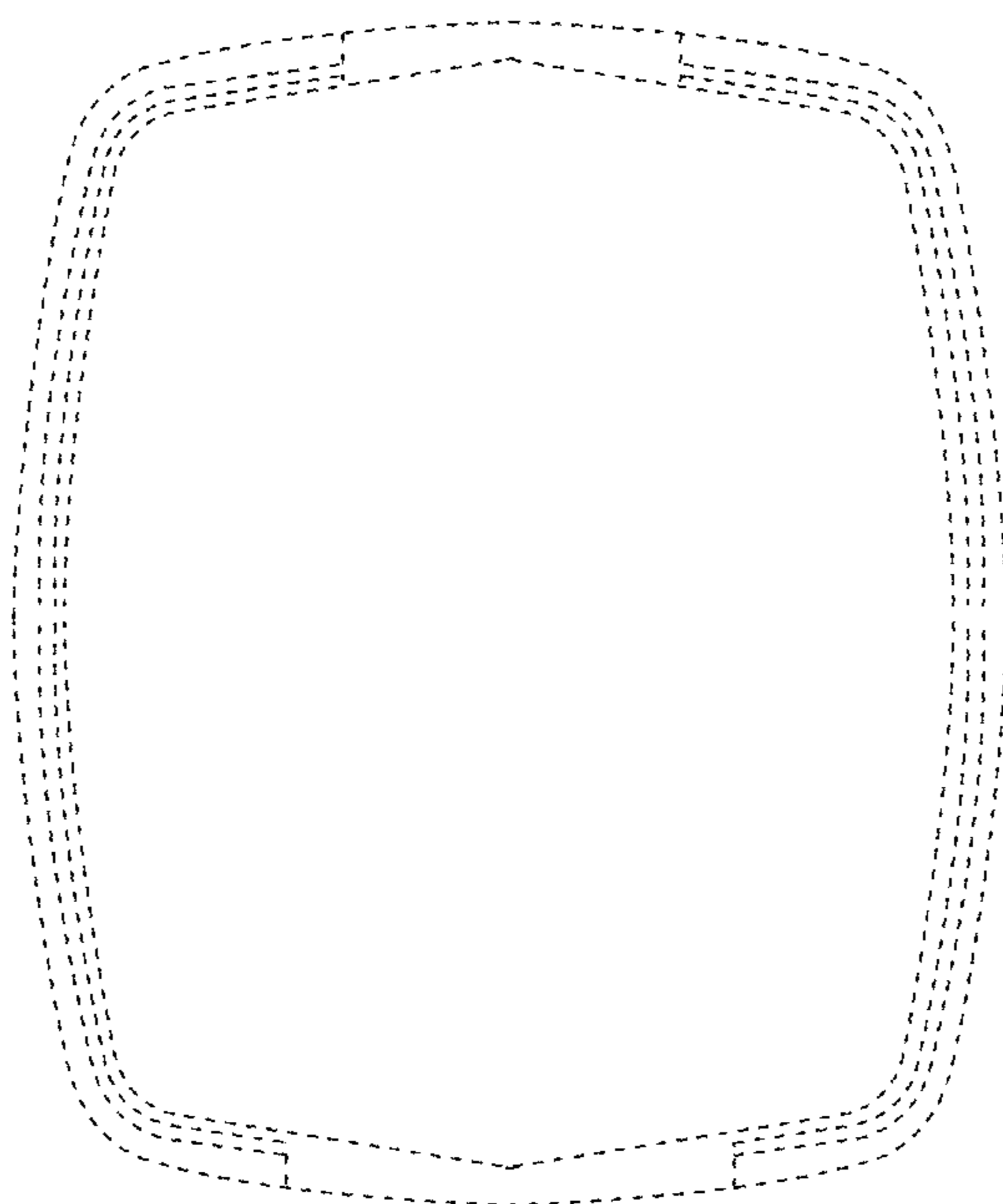
**FIG. 11**



**FIG. 12**



**FIG. 13**



**FIG. 14**