



US00D793777S

(12) **United States Design Patent** (10) **Patent No.:** **US D793,777 S**
Johnson et al. (45) **Date of Patent:** **** Aug. 8, 2017**

(54) **DISPLAY UNIT**

(71) Applicant: **Target Brands, Inc.**, Minneapolis, MN (US)

(72) Inventors: **Jason W. Johnson**, Wayzata, MN (US);
Thomas M. Balko, St. Paul, MN (US)

(73) Assignee: **Target Brands, Inc.**, Minneapolis, MN (US)

(**) Term: **15 Years**

(21) Appl. No.: **29/559,620**

(22) Filed: **Mar. 30, 2016**

(51) **LOC (10) Cl.** **20-02**

(52) **U.S. Cl.**

USPC **D6/675.1**

(58) **Field of Classification Search**

USPC D6/675-675.3, 678.1, 677

CPC A47B 96/04

See application file for complete search history.

(56) **References Cited**

U.S. PATENT DOCUMENTS

D91,738 S *	3/1934	Roberts	D6/675.3
D105,157 S *	6/1937	Warren	D6/675.3
D161,117 S *	12/1950	Moody	D6/675.2
2,975,909 A *	3/1961	Foster	A47B 96/04
				108/5
D279,740 S *	7/1985	Slager	D6/653.11
D334,495 S *	4/1993	Bustos	D15/83
D363,623 S *	10/1995	Rushing	D6/675.1
D364,763 S *	12/1995	Sielaff	D6/675.1
D485,708 S *	1/2004	Robertson	D6/675.3
D566,426 S *	4/2008	Stenhouse	D6/678.2

D637,422 S	5/2011	Theisen et al.	
D707,209 S *	6/2014	Ranaletta D14/239
D781,082 S *	3/2017	Domenech Grau D6/675.3

OTHER PUBLICATIONS

Design U.S. Appl. No. 29/515,778, filed Jan. 27, 2015, 9 pages.

* cited by examiner

Primary Examiner — John Windmuller

Assistant Examiner — Melvin L Davis

(74) *Attorney, Agent, or Firm* — Leanne Taveggia Farrell;
Westman, Champlin & Koehler, P.A.

(57) **CLAIM**

The ornamental design for a display unit, as shown and described.

DESCRIPTION

FIG. 1 is a perspective view of a first embodiment of a display unit showing our new design;

FIG. 2 is a left side view thereof, the right side view is a mirror image;

FIG. 3 is a back view thereof;

FIG. 4 is a front view thereof;

FIG. 5 is a top view thereof;

FIG. 6 is a perspective view of a second embodiment thereof;

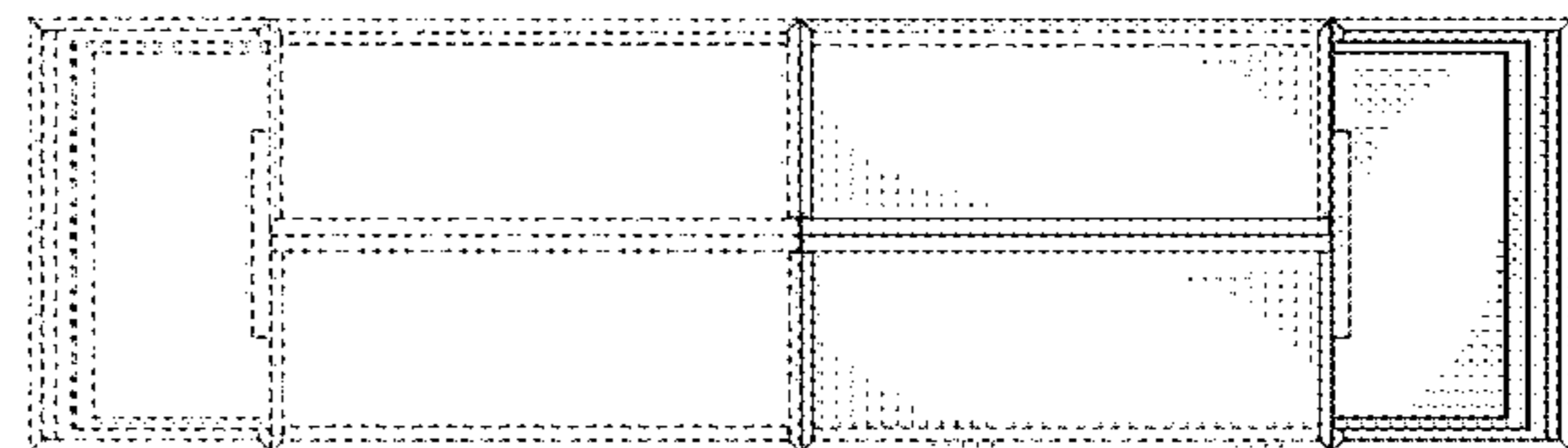
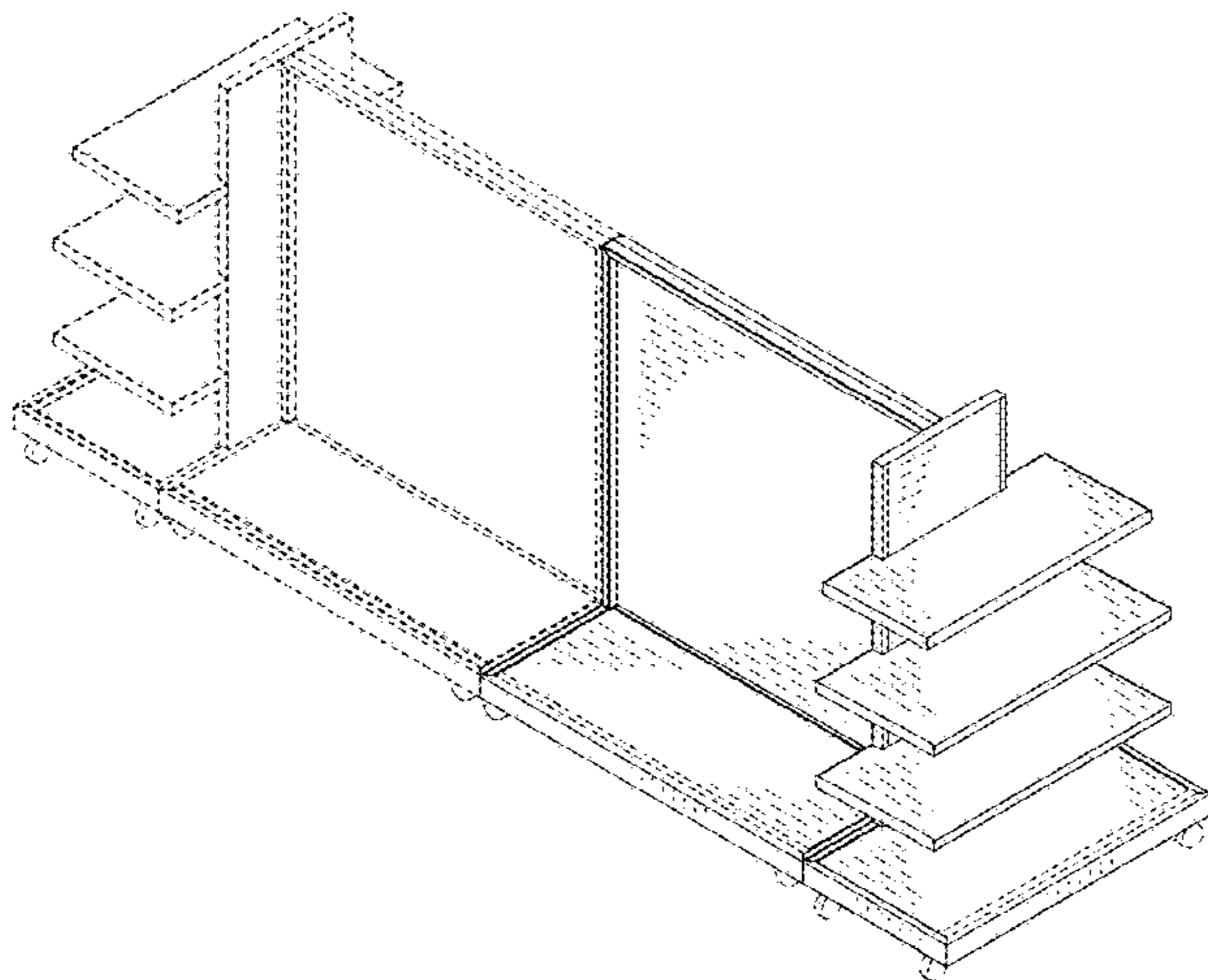
FIG. 7 is a left side view of FIG. 6, the right side view being identical;

FIG. 8 is a back view of FIG. 6, the front view being identical; and,

FIG. 9 is a top view of FIG. 6.

The broken lines shown in the drawings are included for purposes of illustrating portions of the display unit and form no part of the claimed design.

1 Claim, 8 Drawing Sheets



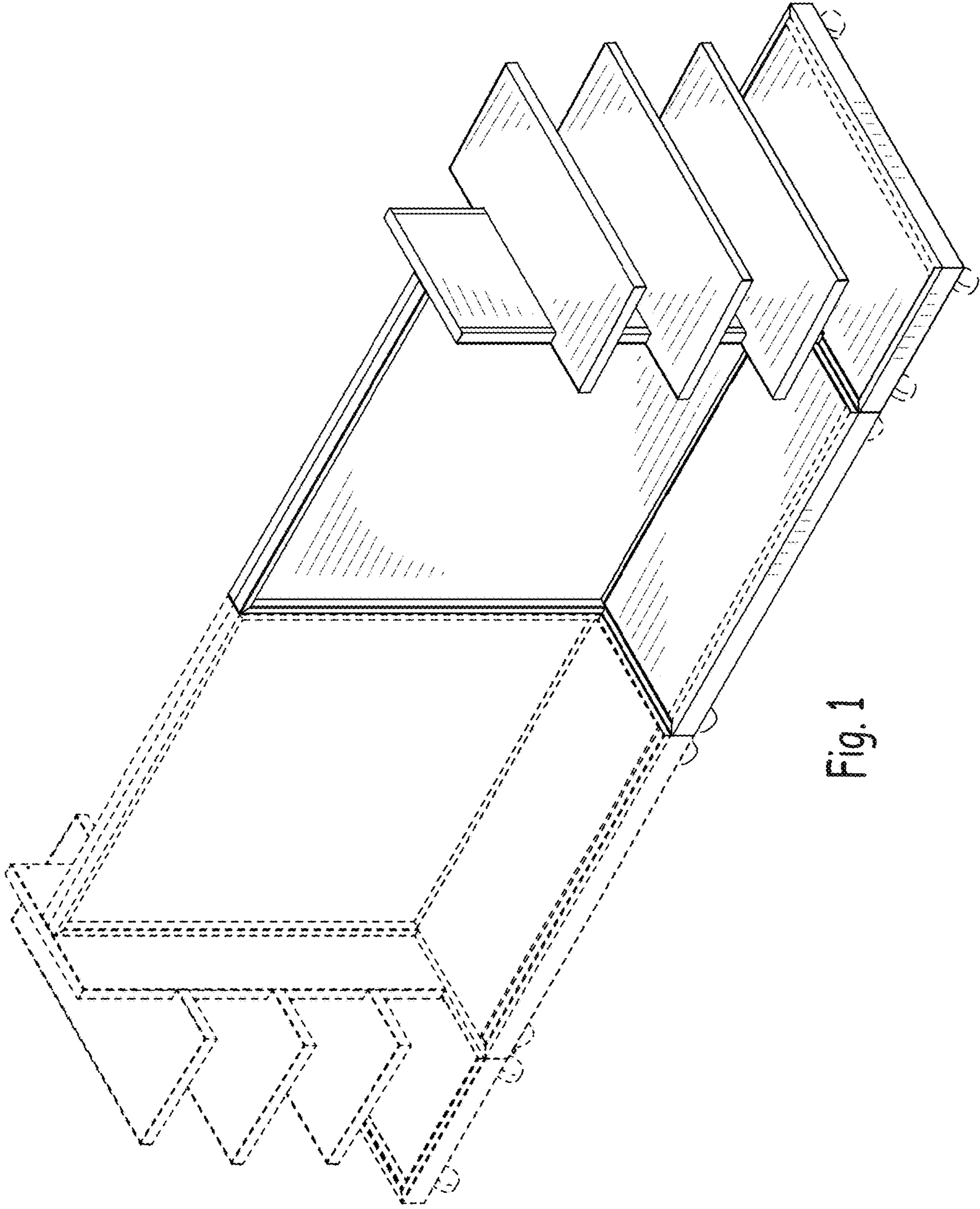


Fig. 1

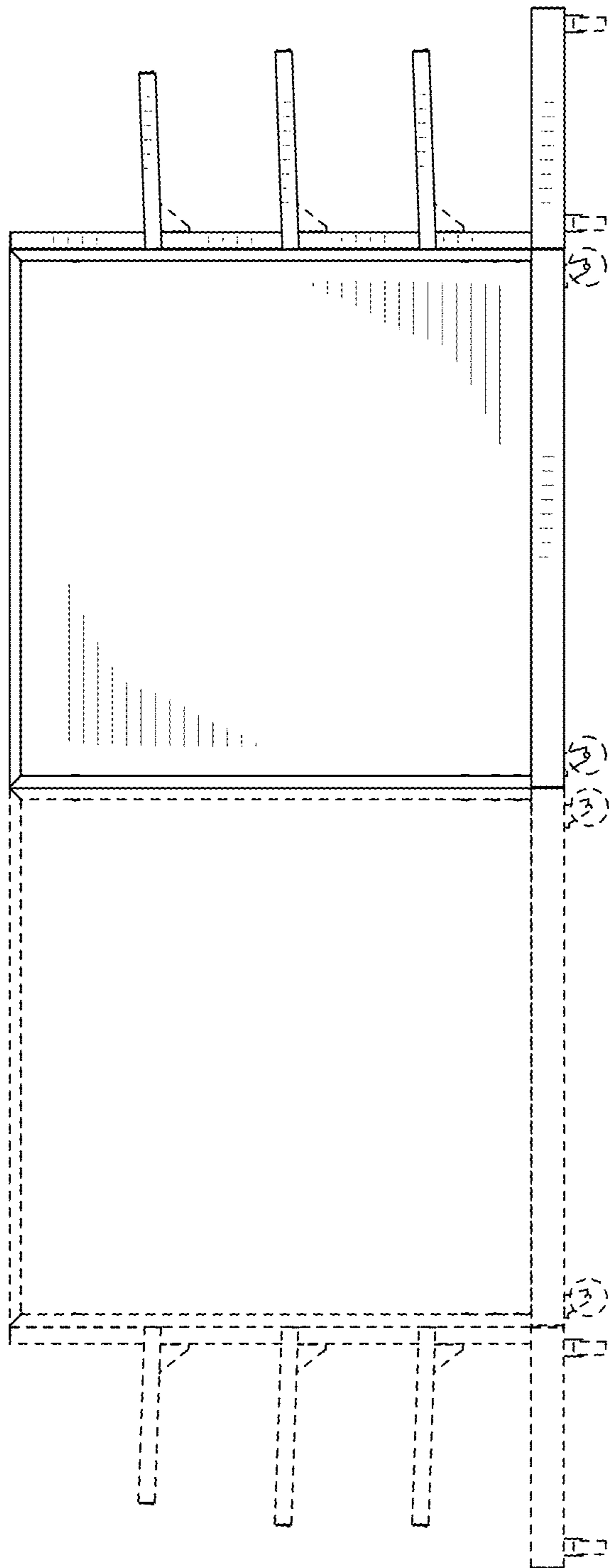


Fig. 2

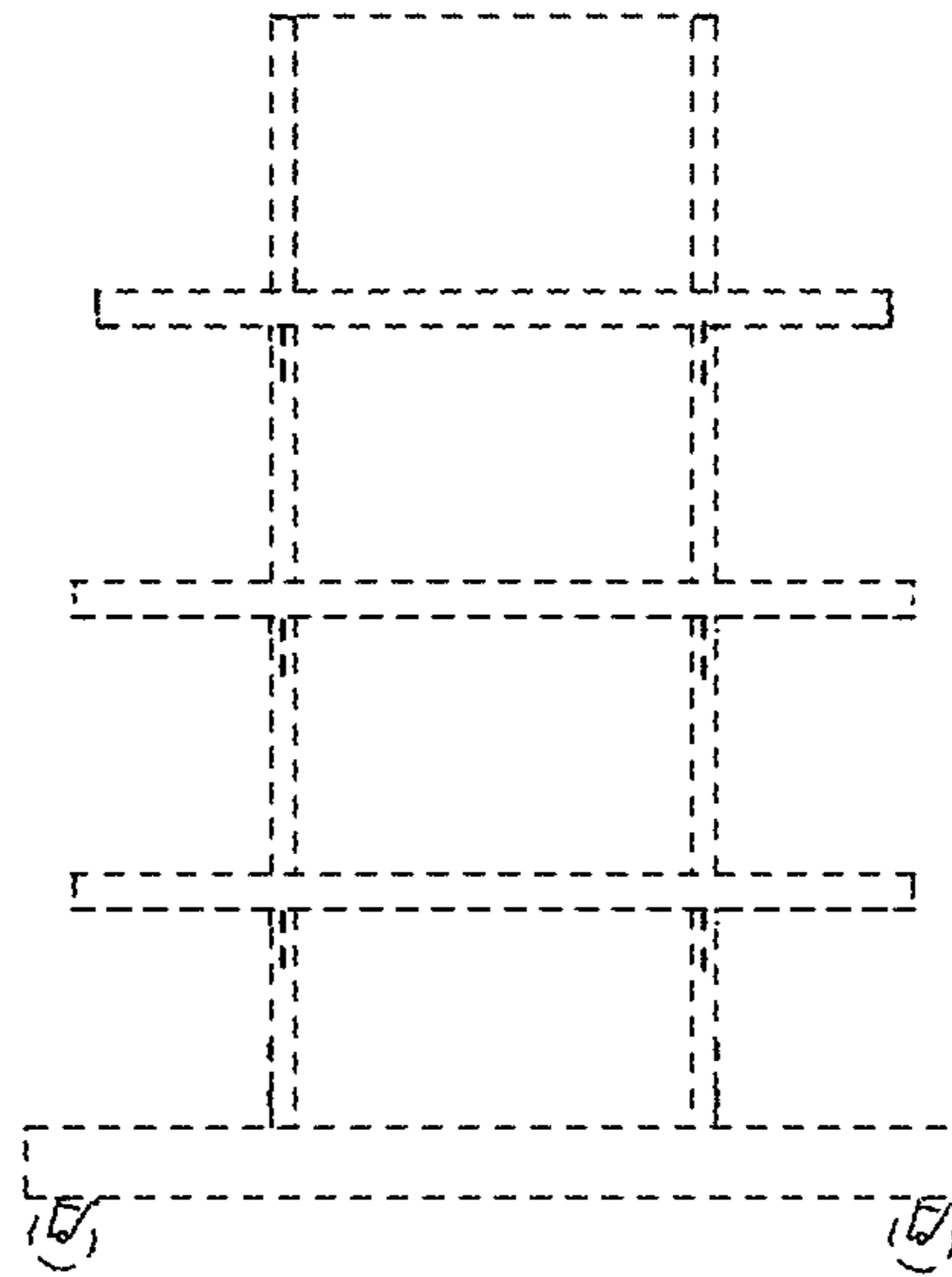


Fig. 3

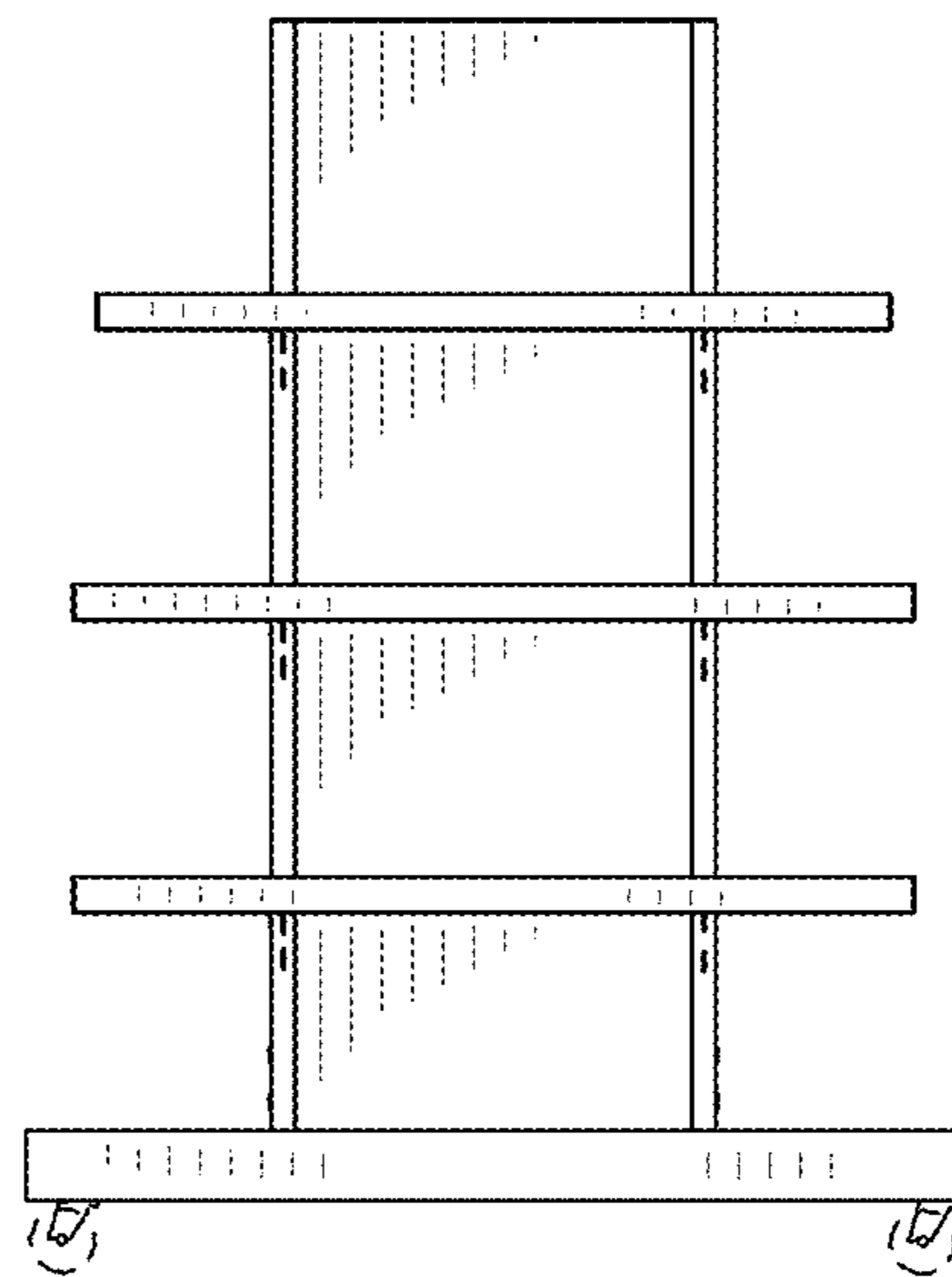


Fig. 4

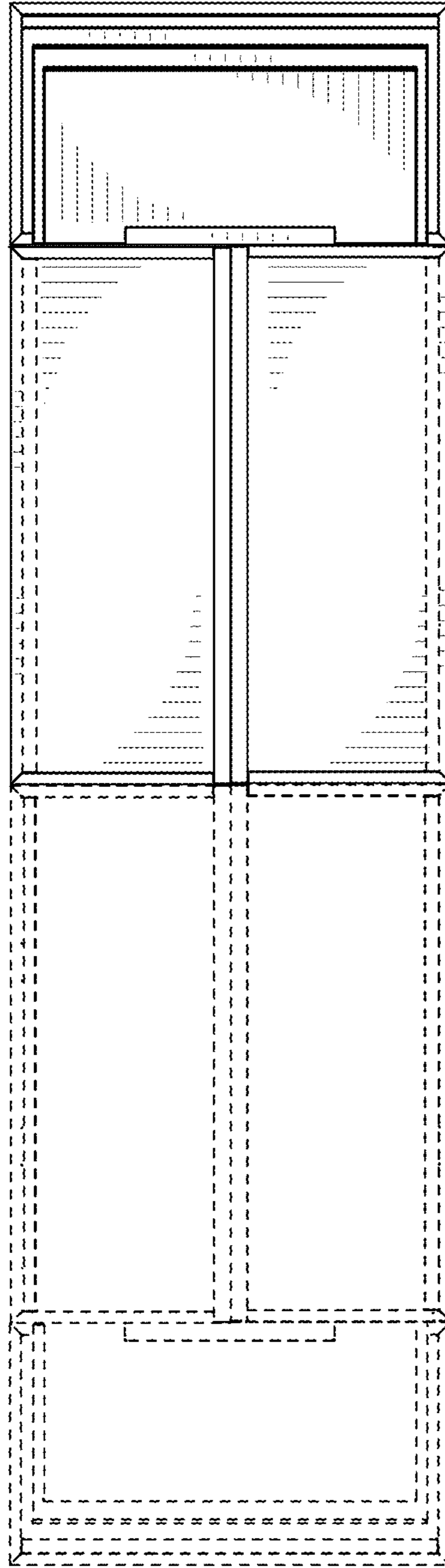


Fig. 5

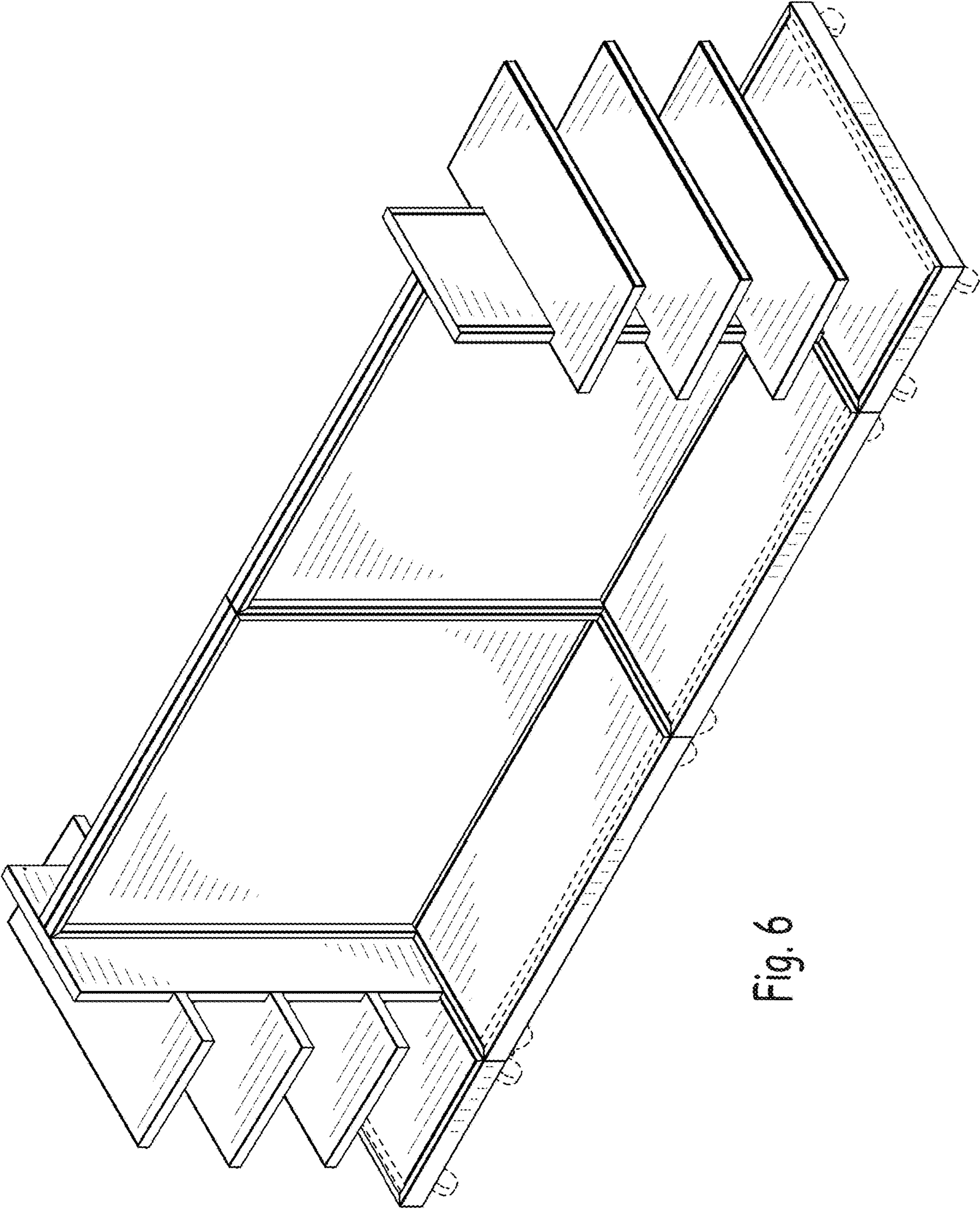


Fig. 6

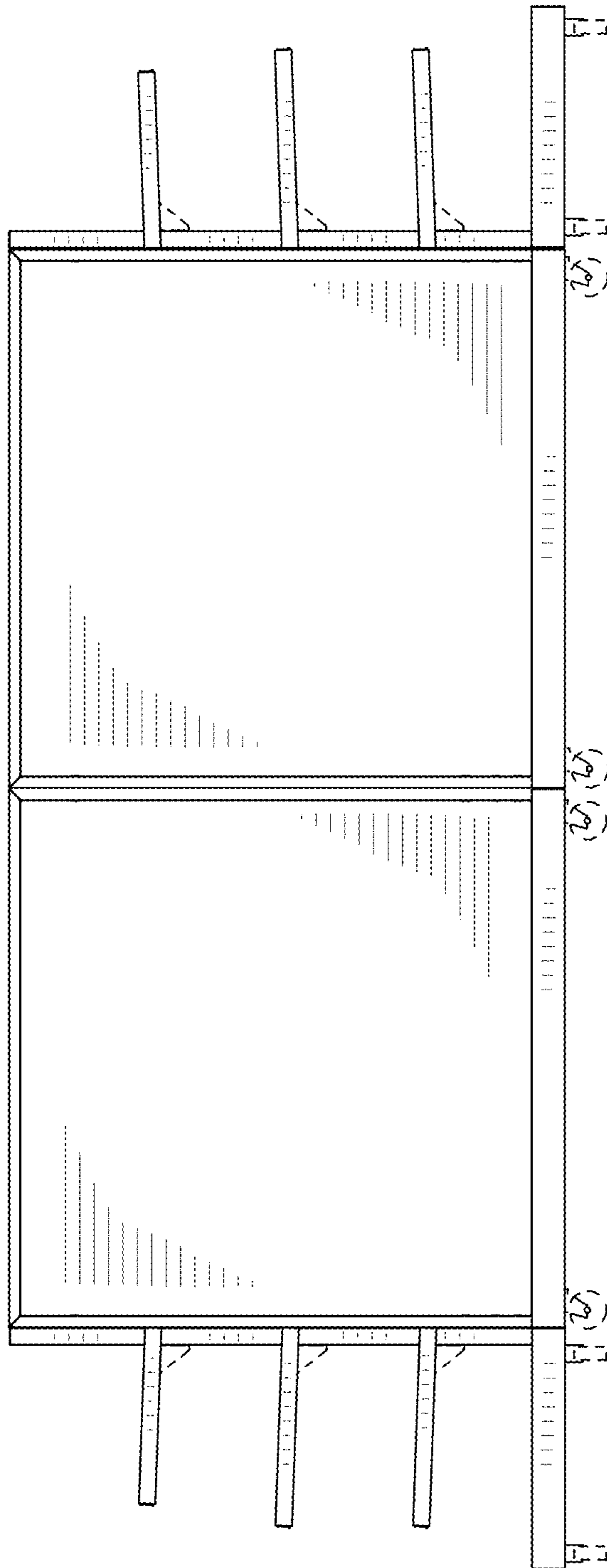


Fig. 7

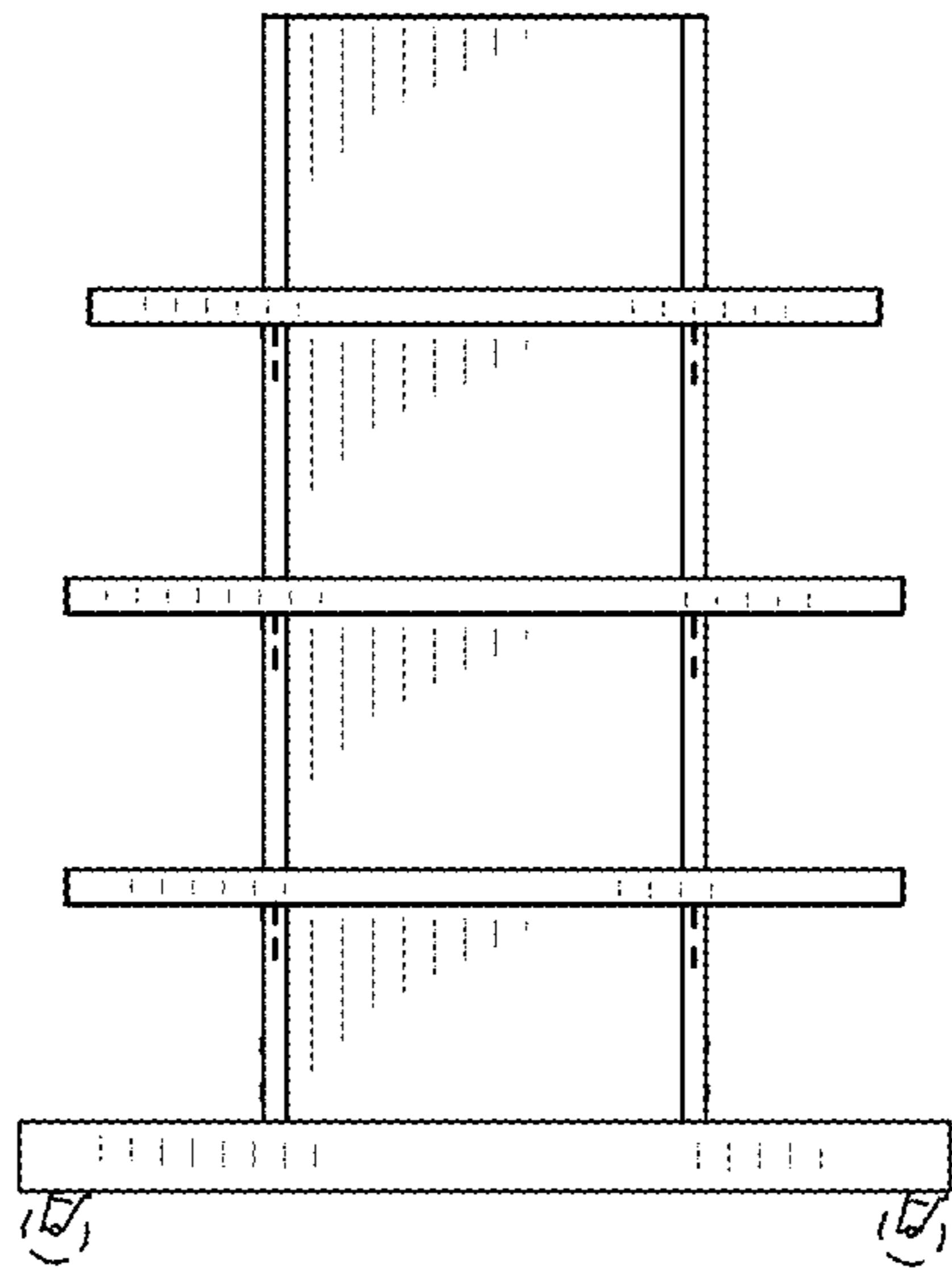


Fig. 8

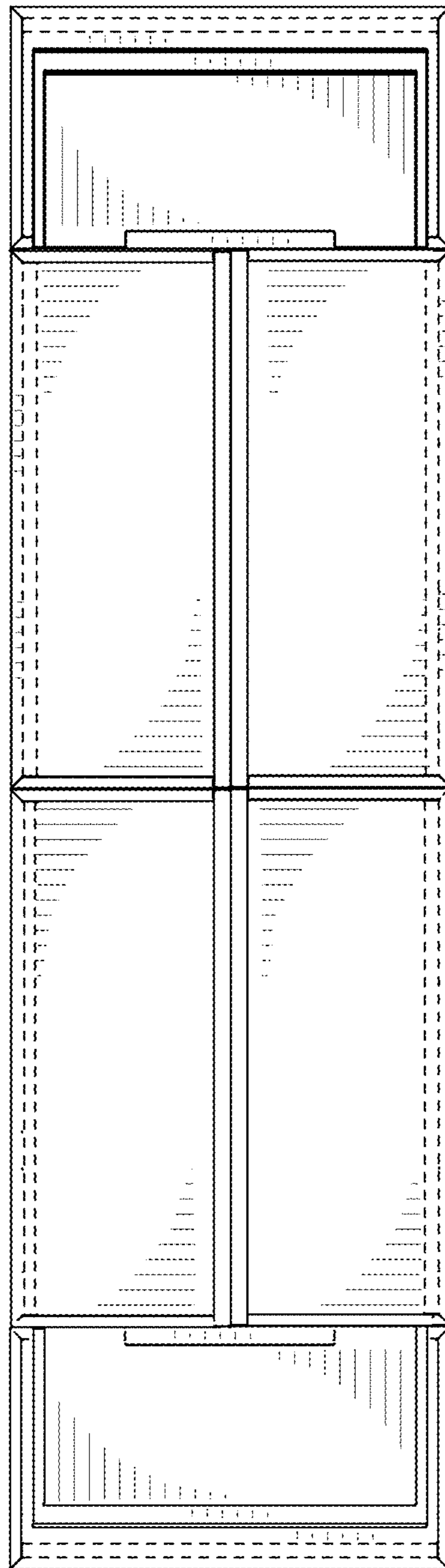


Fig. 9